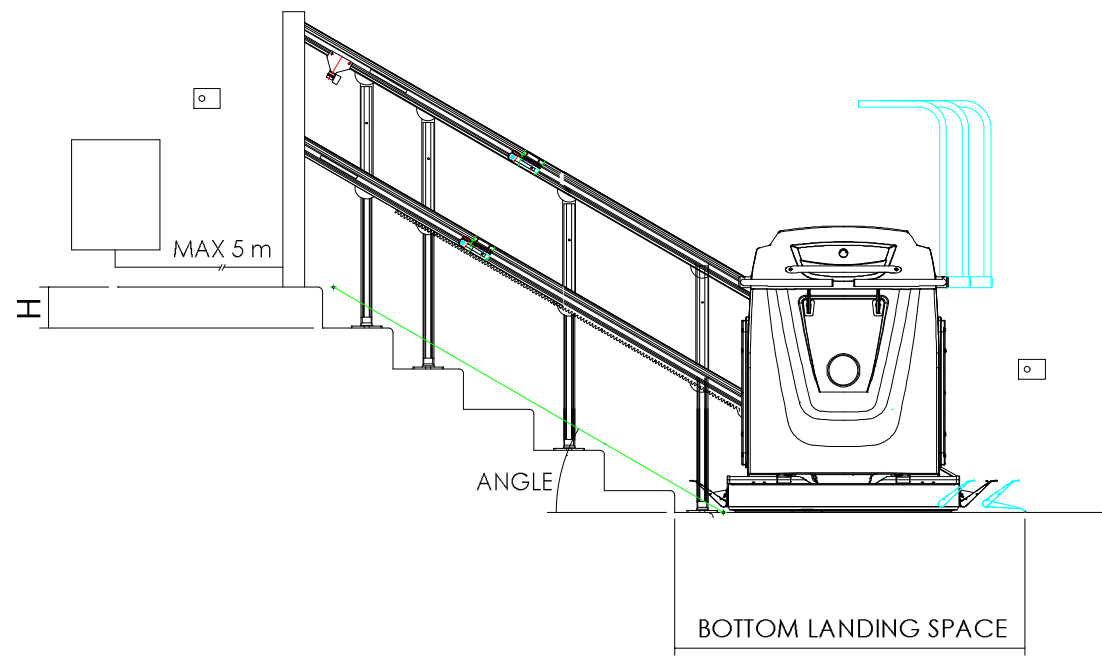
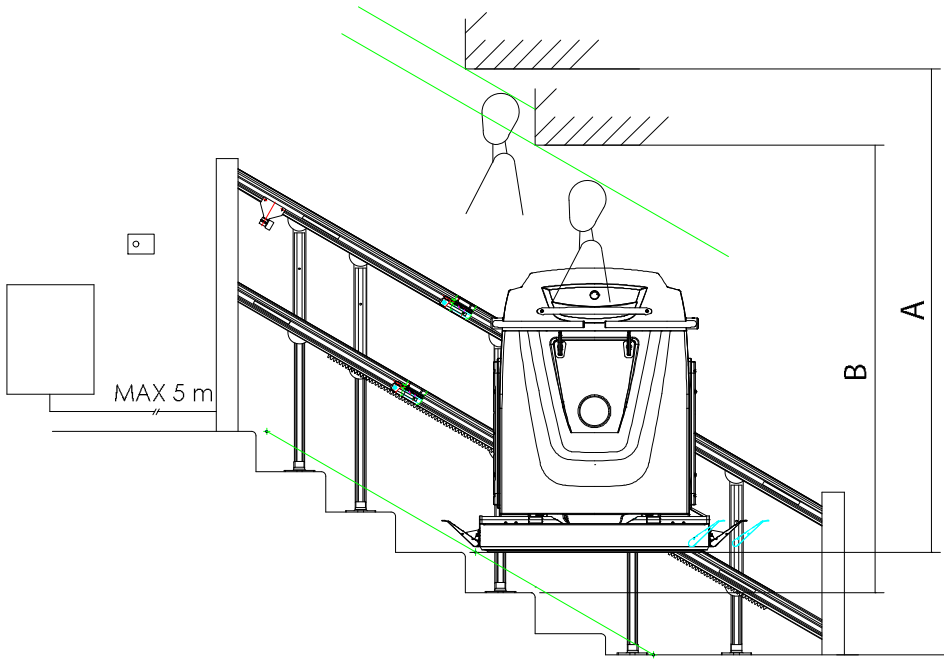


Supra overall dimensions - Free height - Landing space



FRONT VIEW
LANDING SPACE

ANGLE	PLATFORM LENGHT		
	850	1050	1250
45°	H+1130	H+1320	H+1520
35°	H+1240	H+1430	H+1630
30°	H+1300	H+1490	H+1690



FRONT VIEW
FREE HEIGHT (A / B)

ANGLE	PLATFORM LENGHT					
	850		1050		1250	
0°	A:1900	B:1500	A:1900	B:1500	A:1900	B:1500
5°	A:1950	B:1560	A:1950	B:1570	A:1960	B:1580
10°	A:1990	B:1620	A:2000	B:1630	A:2020	B:1650
15°	A:2020	B:1690	A:2050	B:1700	A:2080	B:1730
20°	A:2070	B:1740	A:2100	B:1780	A:2140	B:1810
25°	A:2120	B:1810	A:2160	B:1850	A:2210	B:1900
30°	A:2170	B:1890	A:2220	B:1940	A:2280	B:2000
35°	A:2230	B:1970	A:2290	B:2030	A:2360	B:2130
40°	A:2290	B:2060	A:2370	B:2140	A:2460	B:2310
45°	A:2370	B:2170	A:2470	B:2320	A:2570	B:2520

A: HEAD OF STANDING USER (HEIGHT 1.8 m)
B: HEAD OF SITTING USER (HEIGHT 1.4 m)

Measurements are an indication.
In order to check a machine feasibility, refer to our organizations.

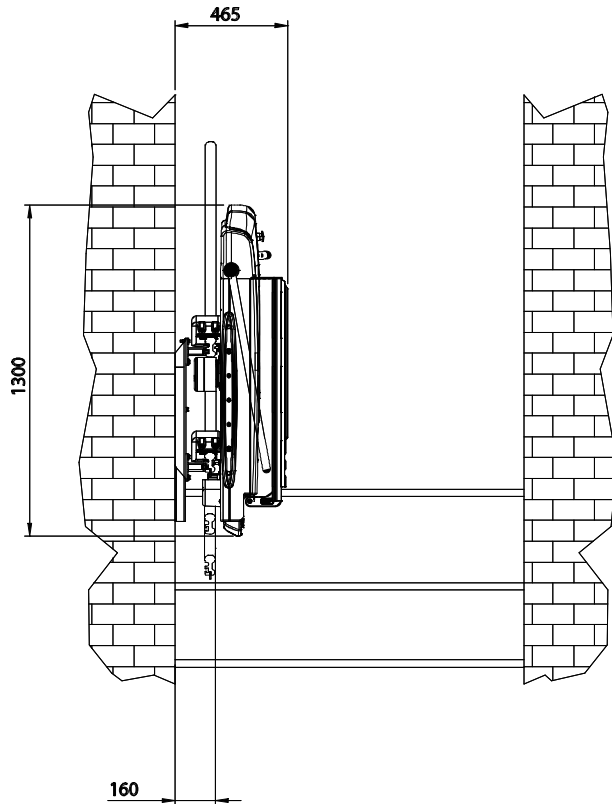
Where not directly specified, measurements are in millimeters

Model :	Supra MY2105
Machine Code :	TP14
Application / Version :	Free height - Land. space
Drawing Reference :	00/36.100 Rev.04
Rev. :	00

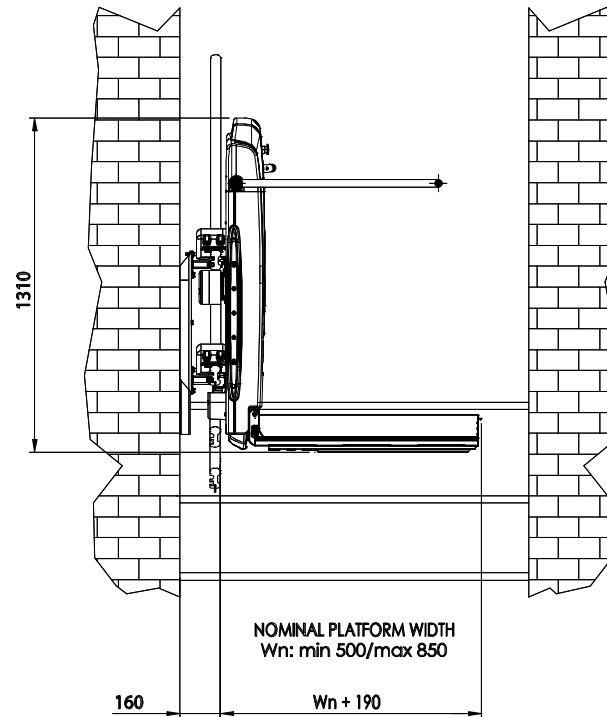


Supra overall dimensions - Wall fixing

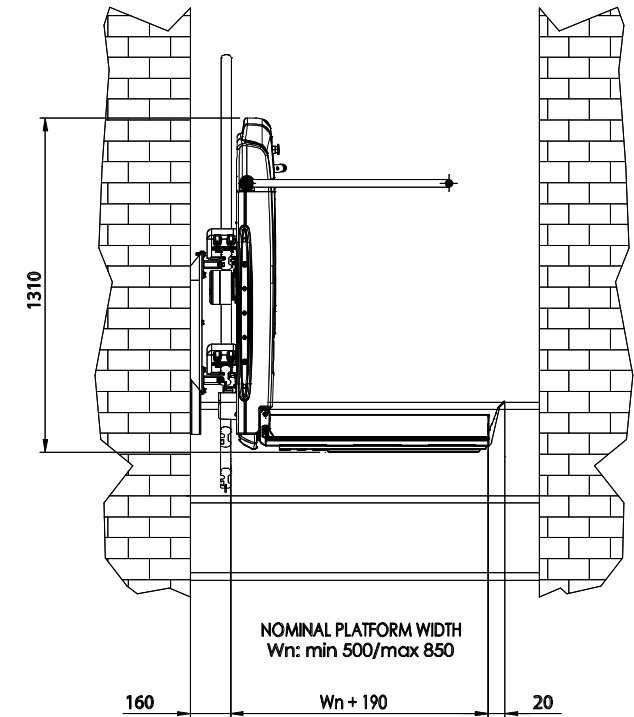
FOLDED PLATFORM - SIDE VIEW



UNFOLDED PLATFORM - SIDE VIEW



UNFOLDED PLATFORM SIDE VIEW WITH LONG SIDE ACCESS



Measurements are an indication.
In order to check a machine feasibility, refer to our organizations.

Where not directly specified, measurements are in millimeters. Tolerances ± 10

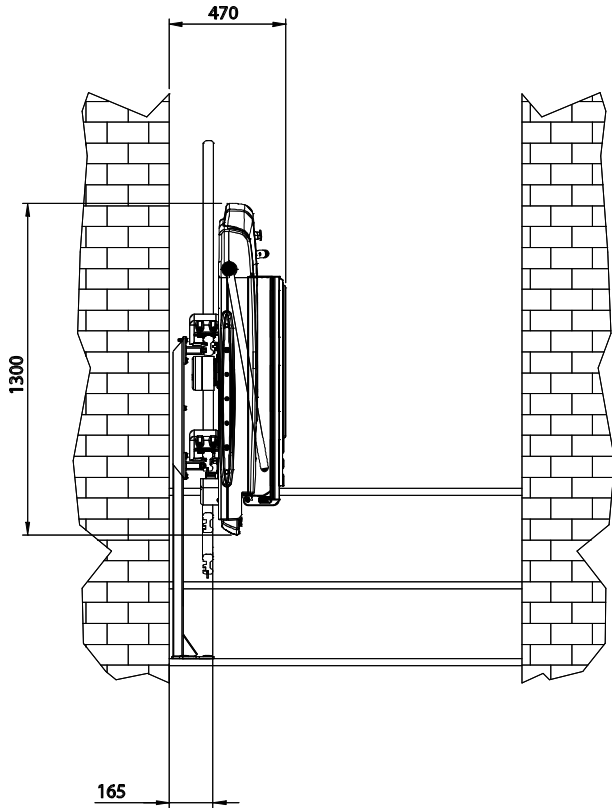
Model :	Supra MY2015
Machine Code :	TP14
Application / Version :	Wall fixing
Drawing Reference :	-
Rev. :	00



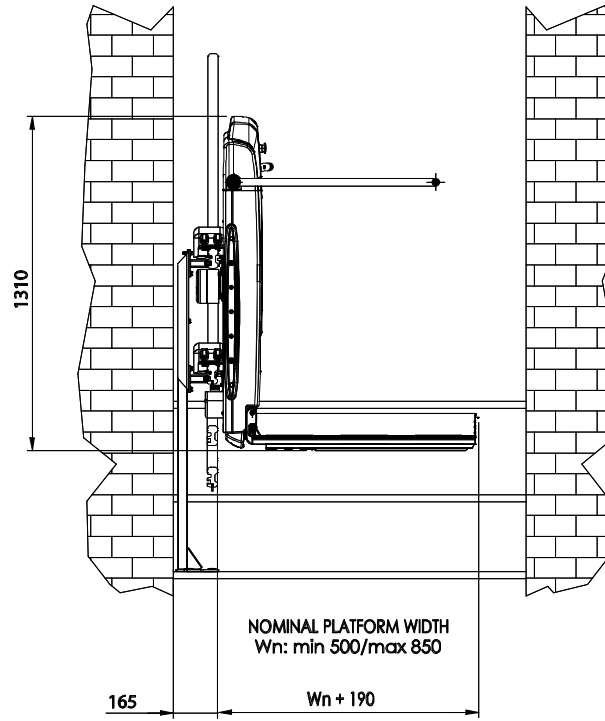
ThyssenKrupp Encasa

Supra overall dimensions - Light stanchions

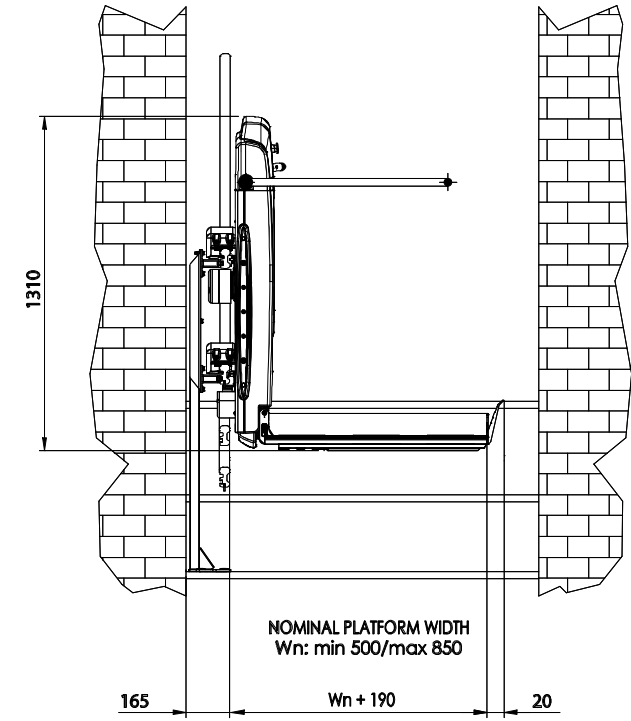
FOLDED PLATFORM - SIDE VIEW



UNFOLDED PLATFORM - SIDE VIEW



UNFOLDED PLATFORM SIDE VIEW
WITH LONG SIDE ACCESS



Measurements are an indication.
In order to check a machine feasibility, refer to our organizations.

Where not directly specified, measurements are in millimeters. Tolerances ± 10

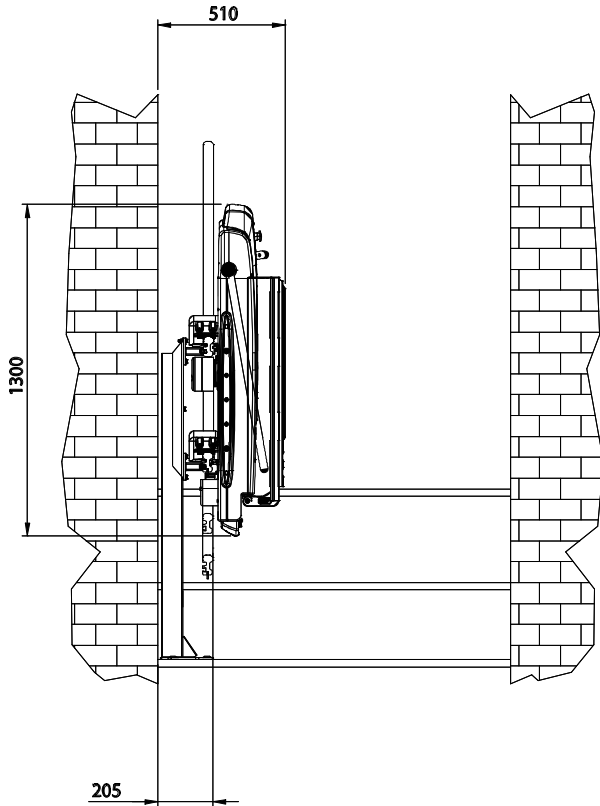
Model :	Supra MY2015
Machine Code :	TP14
Application / Version :	Light stanchions
Drawing Reference :	-
Rev. :	00



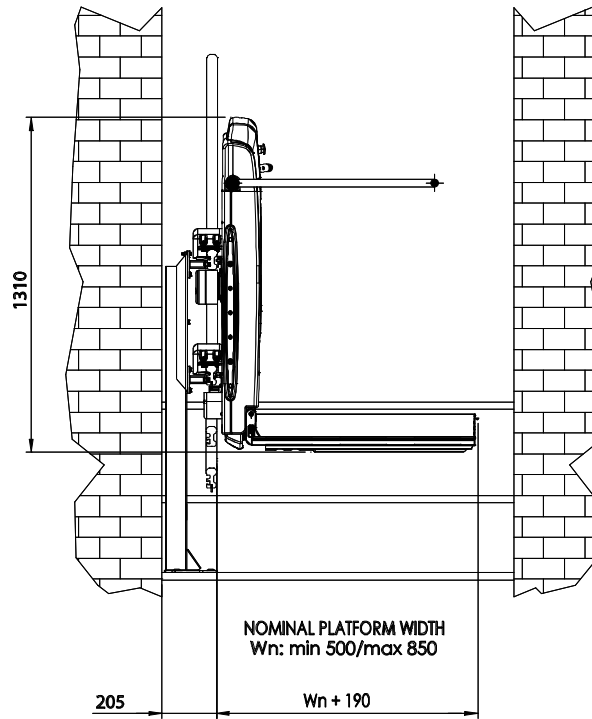
ThyssenKrupp Encasa

Supra overall dimensions - Heavy stanchions

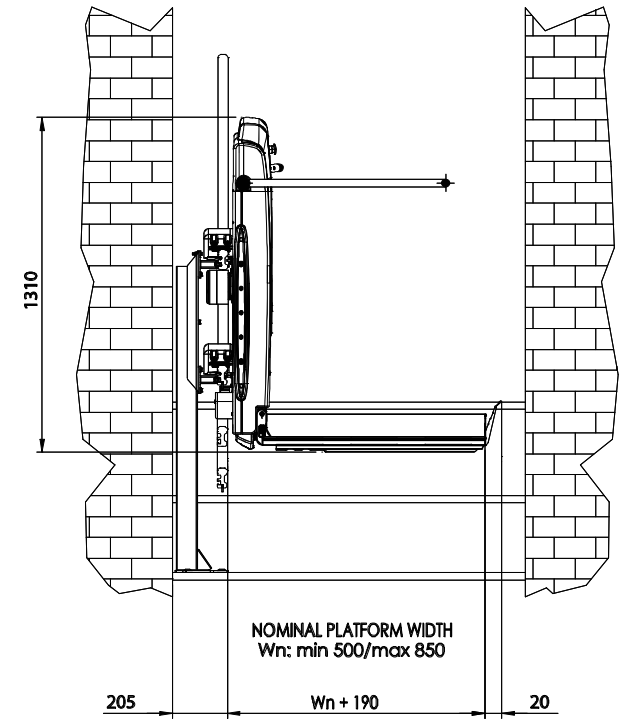
FOLDED PLATFORM - SIDE VIEW



UNFOLDED PLATFORM - SIDE VIEW



UNFOLDED PLATFORM SIDE VIEW WITH LONG SIDE ACCESS



Measurements are an indication.
In order to check a machine feasibility, refer to our organizations.

Where not directly specified, measurements are in millimeters. Tolerances ± 10

Model :	Supra MY2015
Machine Code :	TP14
Application / Version :	Heavy stanchions
Drawing Reference :	-
Rev. :	00



ThyssenKrupp Encasa