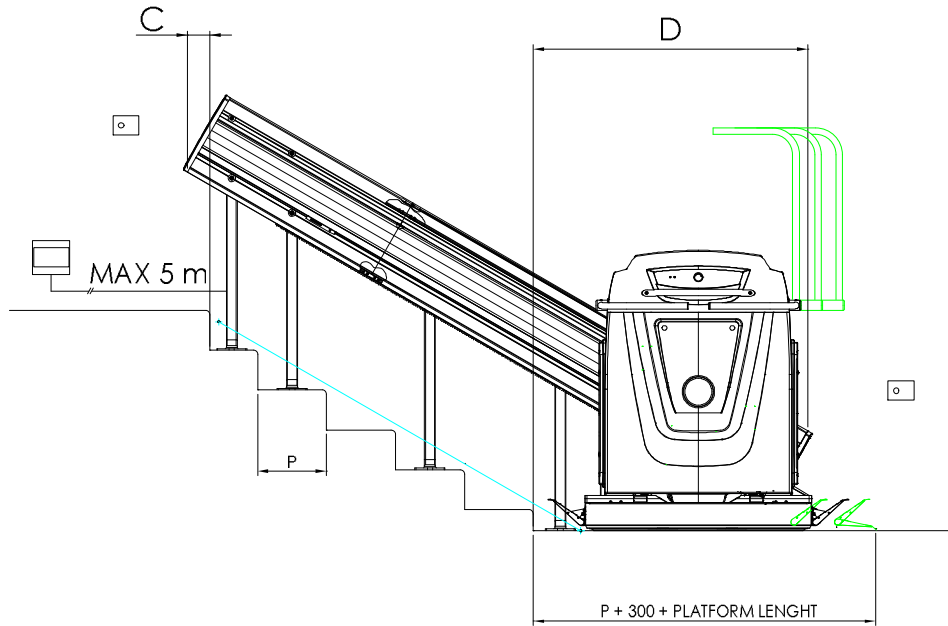
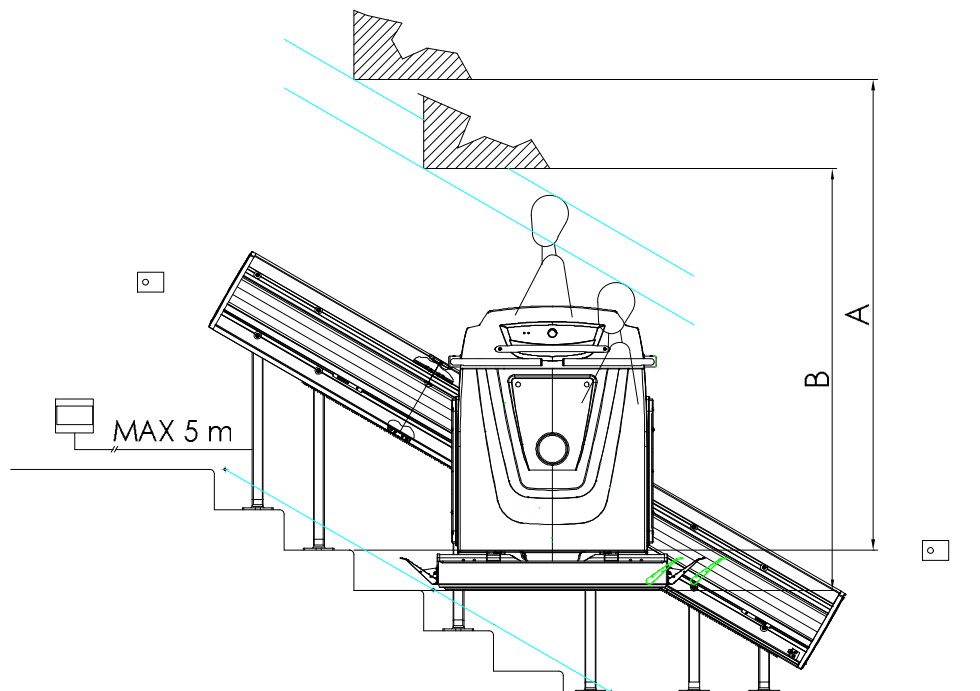


RPsp overall dimensions - Free height - Landing space - Rail overhang



FRONT VIEW
RAIL OVERHANG (C) AND LANDING SPACE (D)

| ANGLE | PLATFORM LENGHT | | |
|-------|-----------------|----------------|----------------|
| | 850 | 1050 | 1250 |
| 15° | C:40 D:1030+P | C:40 D:1120+P | C:40 D:1220+P |
| 30° | C:140 D:1070+P | C:140 D:1160+P | C:140 D:1260+P |
| 45° | C:220 D:1070+P | C:220 D:1160+P | C:220 D:1260+P |



FRONT VIEW
FREE HEIGHT (A / B)

| ANGLE | PLATFORM LENGHT | | |
|-------|-----------------|---------------|---------------|
| | 850 | 1050 | 1250 |
| 0° | A:1900 B:1500 | A:1900 B:1500 | A:1900 B:1500 |
| 5° | A:1950 B:1560 | A:1950 B:1570 | A:1960 B:1580 |
| 10° | A:1990 B:1620 | A:2000 B:1630 | A:2020 B:1650 |
| 15° | A:2020 B:1690 | A:2050 B:1700 | A:2080 B:1730 |
| 20° | A:2070 B:1740 | A:2100 B:1780 | A:2140 B:1810 |
| 25° | A:2120 B:1810 | A:2160 B:1850 | A:2210 B:1900 |
| 30° | A:2170 B:1890 | A:2220 B:1940 | A:2280 B:2000 |
| 35° | A:2230 B:1970 | A:2290 B:2030 | A:2360 B:2130 |
| 40° | A:2290 B:2060 | A:2370 B:2140 | A:2460 B:2310 |
| 45° | A:2370 B:2170 | A:2470 B:2320 | A:2570 B:2520 |

A: HEAD OF STANDING USER (HEIGHT 1.8 m)
B: HEAD OF SITTING USER (HEIGHT 1.4 m)

Measurements are an indication.
In order to check a machine feasibility, refer to our organizations.

Where not directly specified, measurements are in millimeters

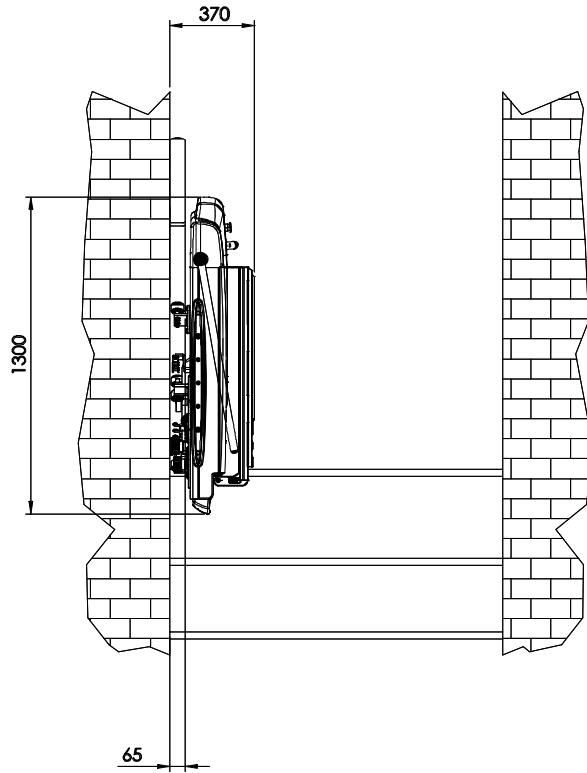
| | |
|--------------------------------|--|
| Model : | RPsp MY2015 |
| Machine Code : | SP06 |
| Application / Version : | Free height - Land. space - Rail over. |
| Drawing Reference : | 00/33.010 Rev.04 |
| Rev. : | 00 |



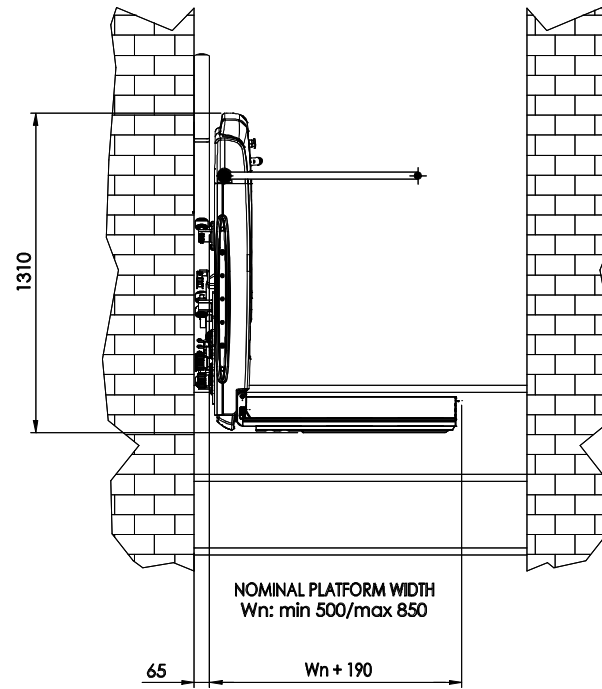
ThyssenKrupp Encasa

RPsp overall dimensions - Wall fixing

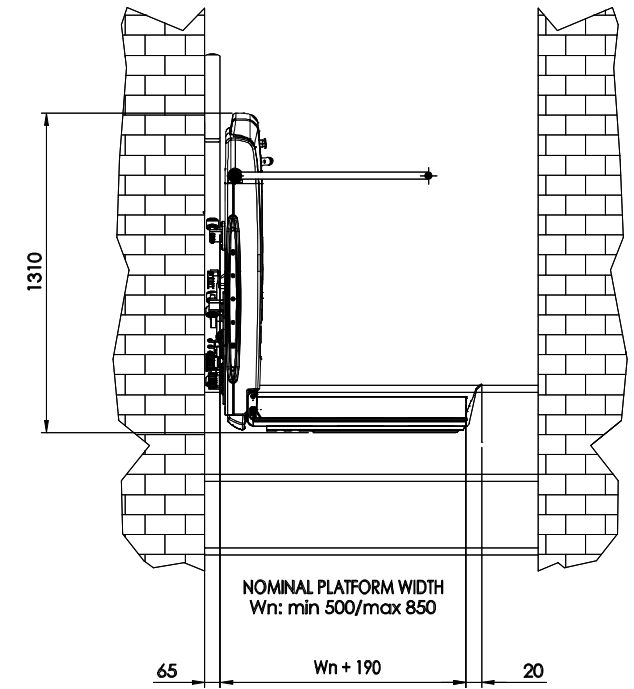
FOLDED PLATFORM - SIDE VIEW



UNFOLDED PLATFORM - SIDE VIEW



UNFOLDED PLATFORM SIDE VIEW WITH LONG SIDE ACCESS



Measurements are an indication.
In order to check a machine feasibility, refer to our organizations.

Where not directly specified, measurements are in millimeters. Tolerances ± 10

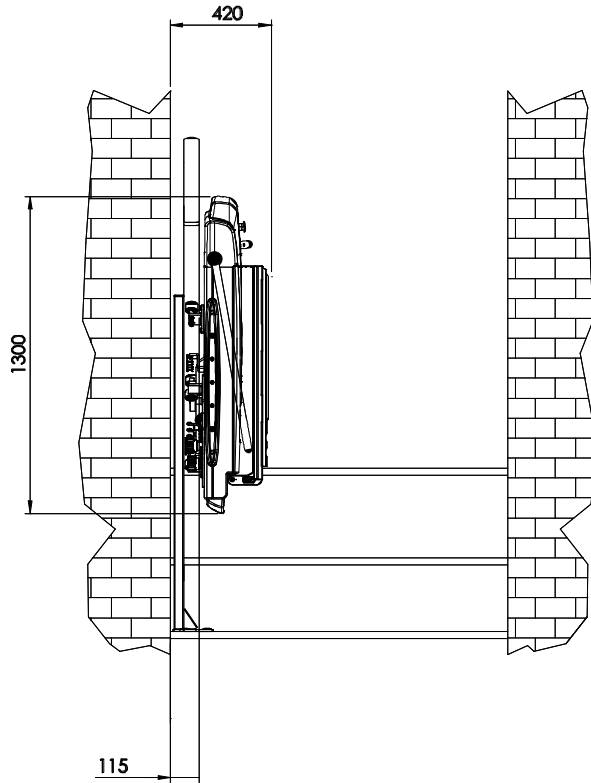
| | |
|-------------------------|-------------|
| Model : | RPsp MY2015 |
| Machine Code : | SP06 |
| Application / Version : | Wall fixing |
| Drawing Reference : | - |
| Rev. : | 00 |



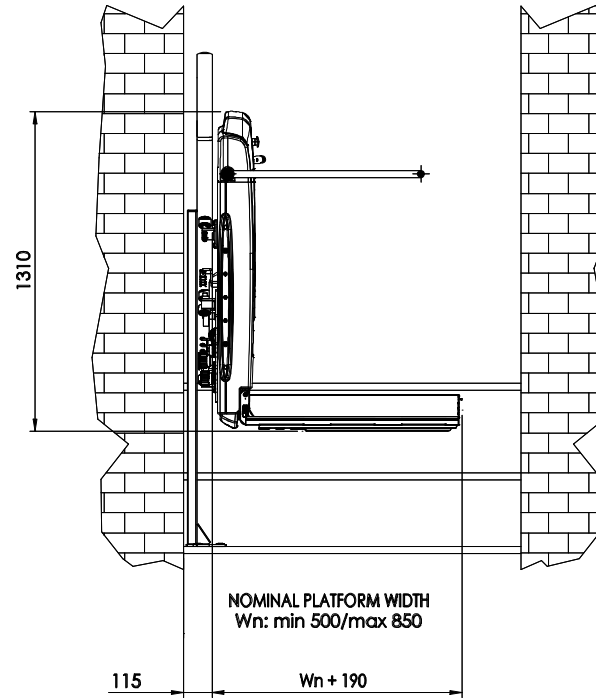
ThyssenKrupp Encasa

RPsp overall dimensions - Light stanchions

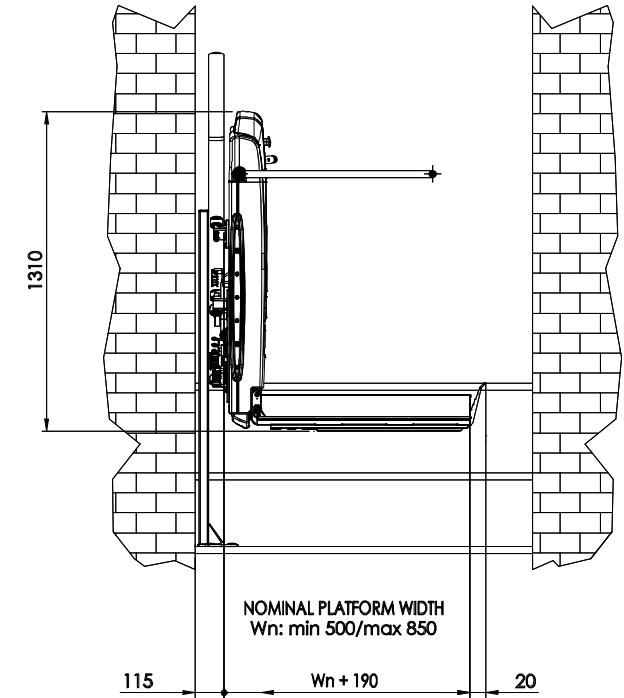
FOLDED PLATFORM - SIDE VIEW



UNFOLDED PLATFORM - SIDE VIEW



UNFOLDED PLATFORM SIDE VIEW WITH LONG SIDE ACCESS



Measurements are an indication.
In order to check a machine feasibility, refer to our organizations.

Where not directly specified, measurements are in millimeters. Tolerances ± 10

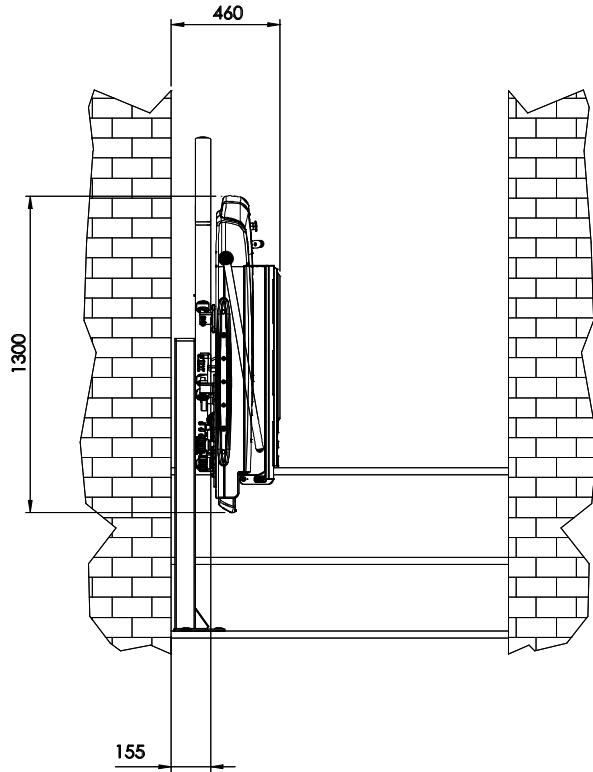
| | |
|-------------------------|--------------------------------|
| Model : | RPsp MY2015 |
| Machine Code : | SP06 |
| Application / Version : | Light stanchions - Free height |
| Drawing Reference : | - |
| Rev. : | 00 |



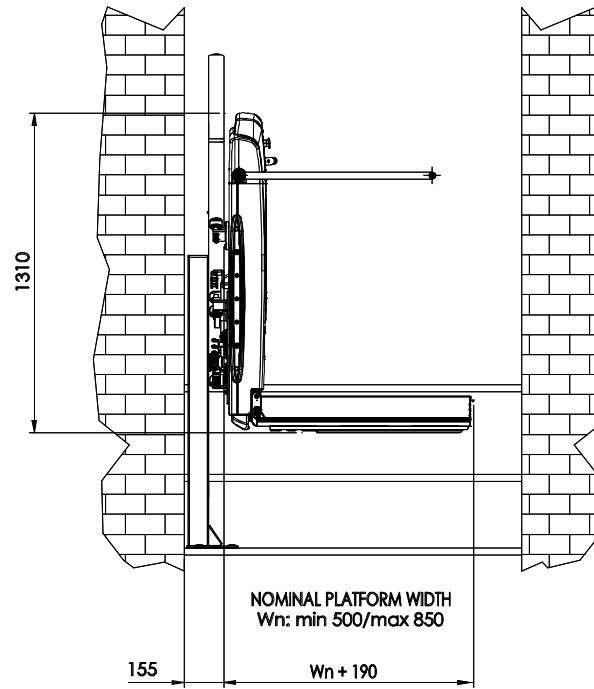
ThyssenKrupp Encasa

RPsp overall dimensions - Heavy stanchions

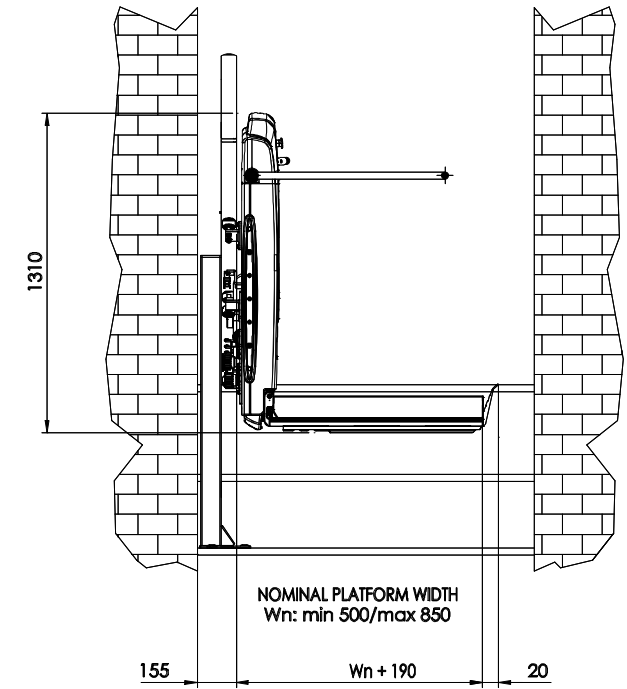
FOLDED PLATFORM - SIDE VIEW



UNFOLDED PLATFORM - SIDE VIEW



UNFOLDED PLATFORM SIDE VIEW WITH LONG SIDE ACCESS



Measurements are an indication.
In order to check a machine feasibility, refer to our organizations.

Where not directly specified, measurements are in millimeters. Tolerances ± 10

| | |
|-------------------------|-------------------------------|
| Model : | RPsp MY2015 |
| Machine Code : | SP06 |
| Application / Version : | Heavy stanchions - Side views |
| Drawing Reference : | - |
| Rev. : | 00 |



ThyssenKrupp Encasa