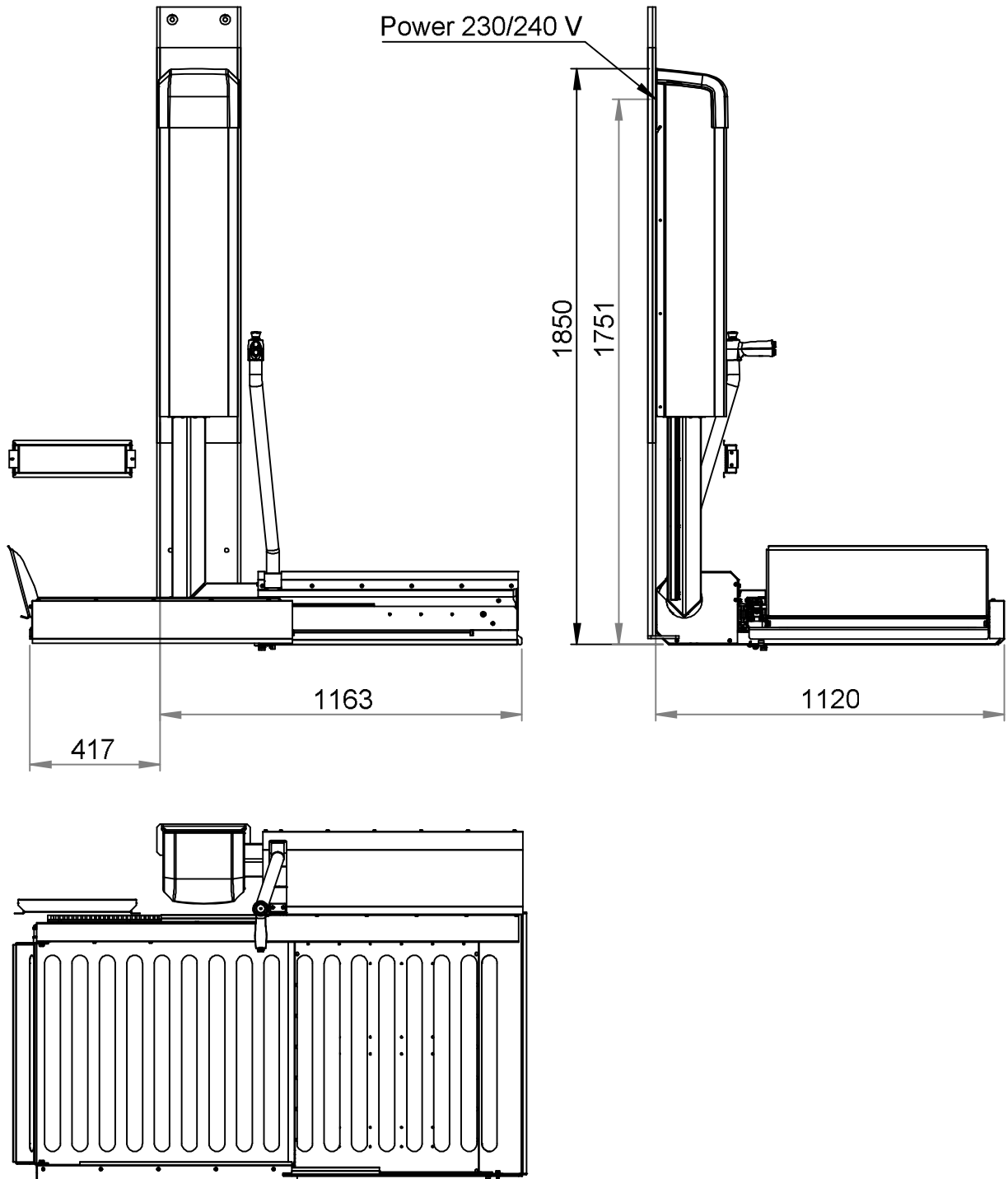



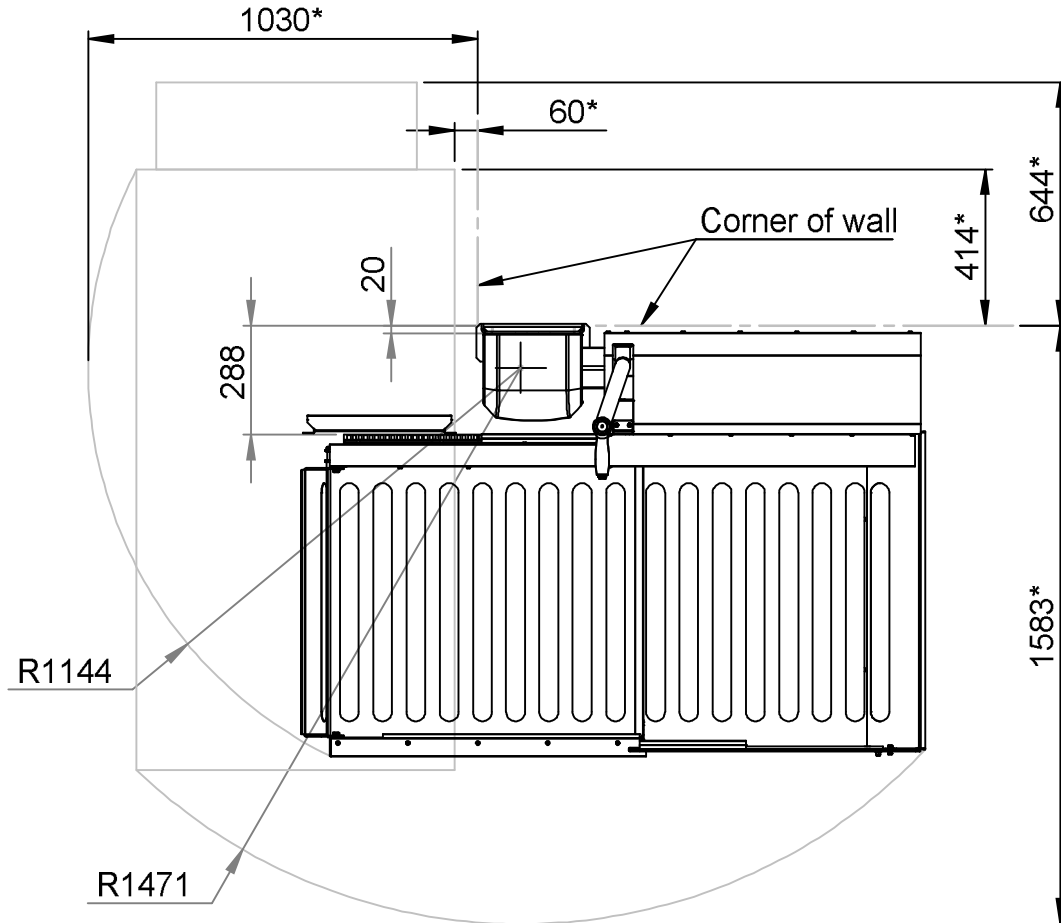
This document is our property. It must not be copied and its contents must not be imparted to third persons without our written permission. Infringement of the above will be prosecuted.

Dimensions



| Item nr. | Qty. | Name | Material | Drw no, Dimension | Note | |
|---|------|----------------------|--|-------------------|------------------------------|---------|
| | | Volume cm^3 | Where not specified | Other req. | | |
| | | Weight kg | | Scale 1:20 | Dwn By BAr | Appr By |
|  | | | SwingOn Installation information | | Date 2015-09-21 | Date |
| | | | | | Dwg. No. Kalea_Turn_A | |

Turning radius



* The dimension is depending on the fastening kit and type of wall material.

| Item nr. | Qty. | Name | Material | Drw no, Dimension | Note |
|--|------|----------------------|------------------------------|-------------------|-------------------|
| | | Volume cm^3 | Where not specified | Other req. | |
| | | Weight kg | | Scale 1:20 | Dwn By BAr |
| SwingOn Installation information | | | Date 2015-09-21 | | Date |
| | | | Dwg. No. Kalea_Turn_A | | Rev. |