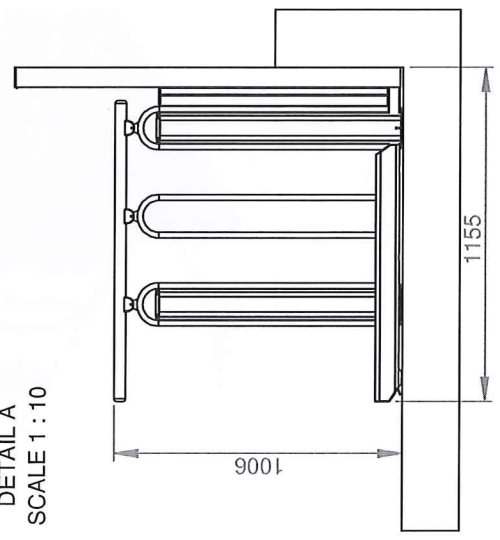


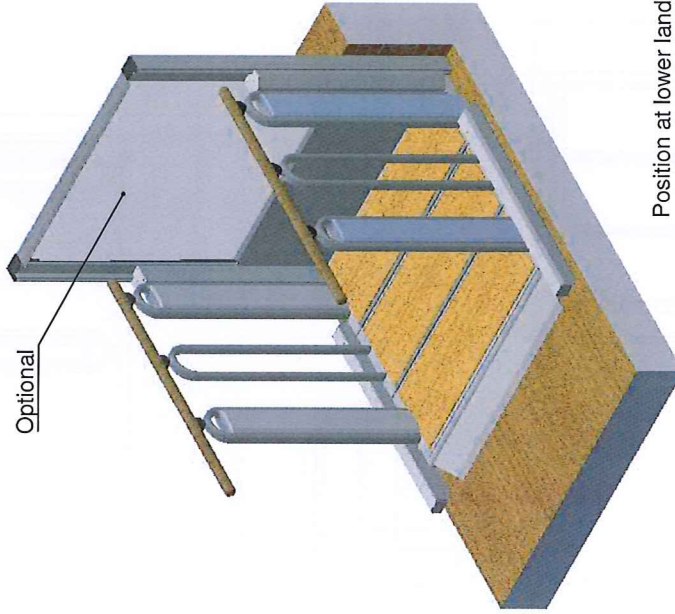
DETAIL A
SCALE 1 : 10



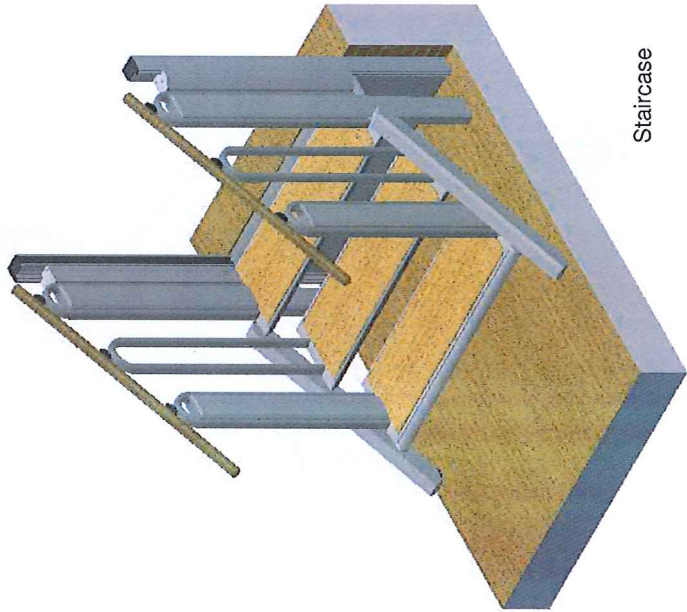
Specs.	Choice	Model:	3 STEPS	liftup
Installation	Indoor	Balustrade:	Last change date:	Product Name
Handrails	Oak	Round	28-10-2015	FLEXSTEP V2
Step Inserts	Oak	Lifting Capacity:	400 kg	Scale:
Colour	Akzo Nobel 900	Drawn by:	MP	1:25
Packing	Carton or Wood Pallet Box	Customer :		A4
Op. Panel				




Position at top landing

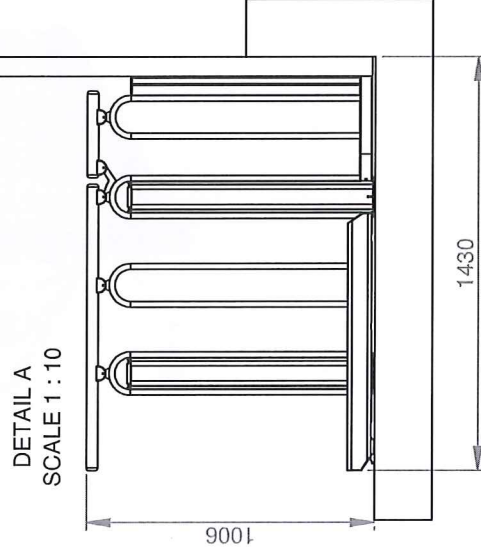
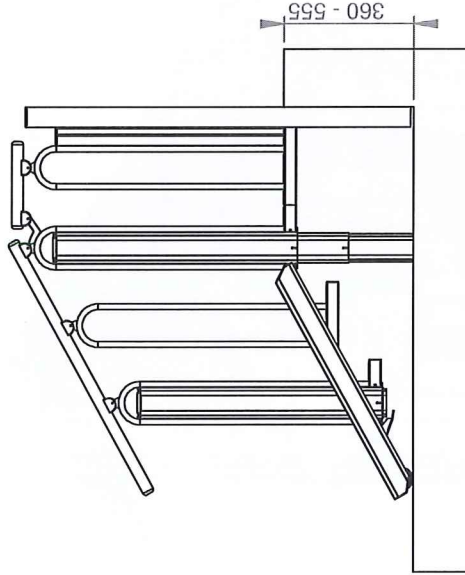
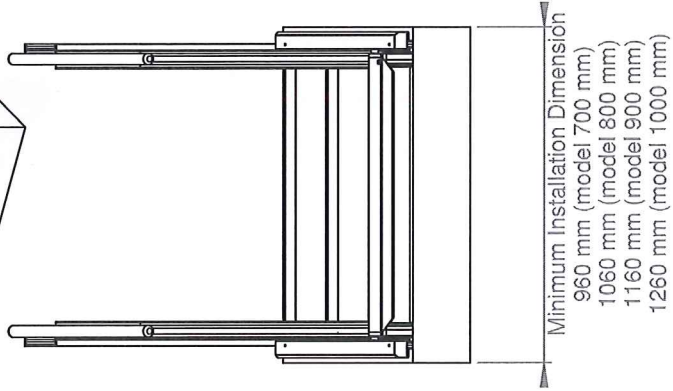
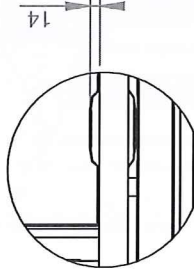
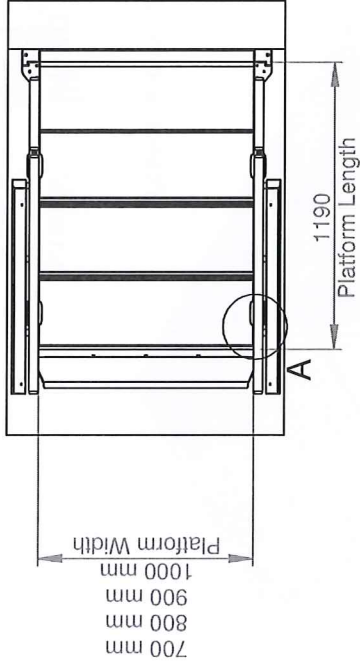
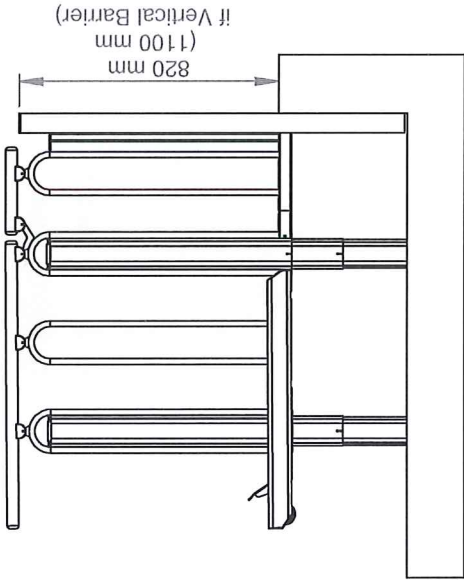
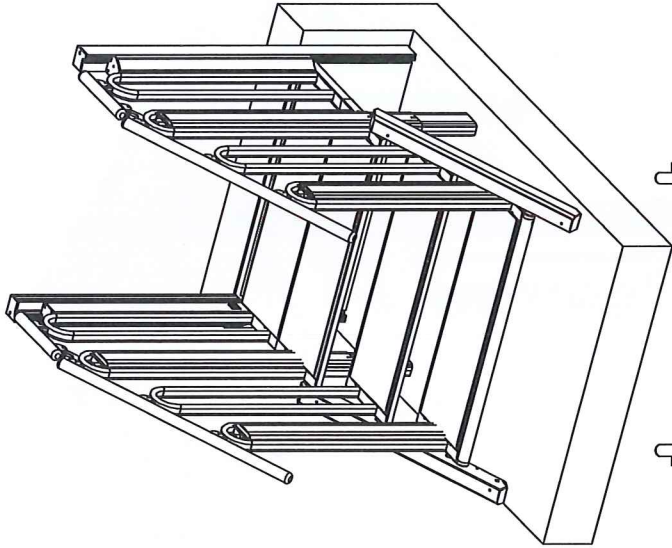


Position at lower landing



Staircase

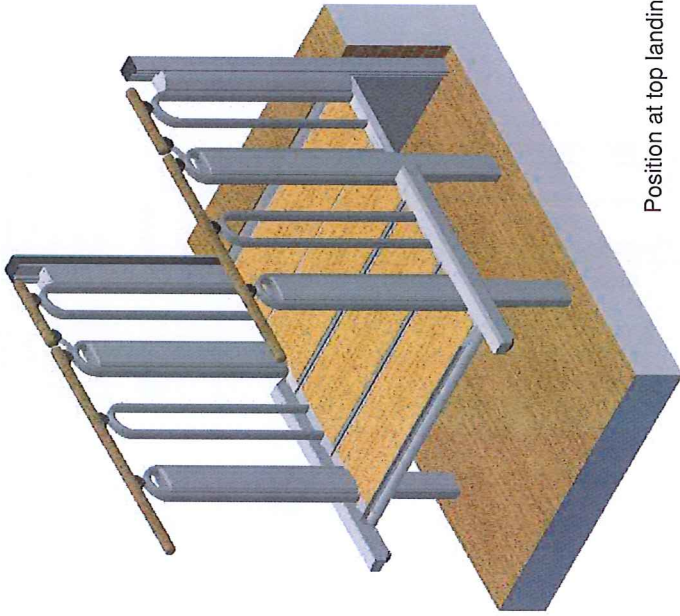
Specs.	Choice	Model:	3 STEPS	
Installation	Indoor	Balustrade:	Round	Last change date: 28-10-2015
Handrails	Oak	Lifting Capacity:	400 kg	Product Name FLEXSTEP V2
Step Inserts	Oak	Drawn by:	MP	Scale: 1:25
Colour	Akzo Nobel 900	Customer :		A4
Packing	Carton or Wood Pallet Box			
Op. Panel				



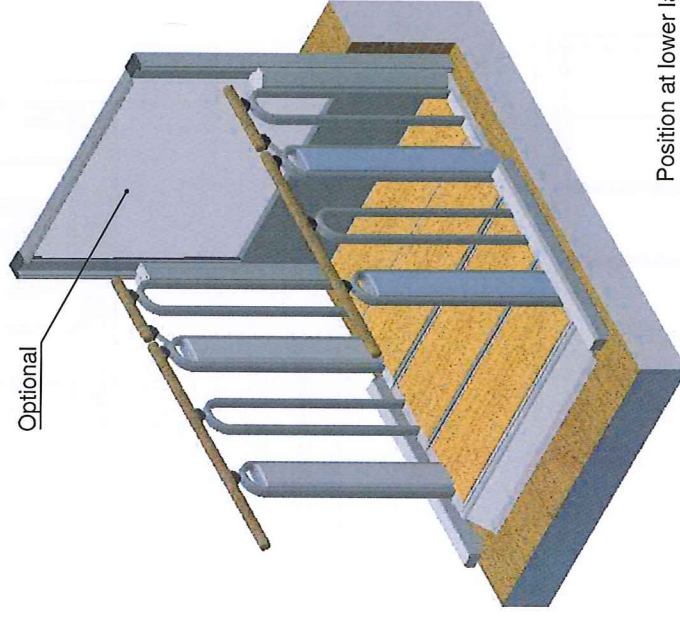
DETAIL A
SCALE 1 : 10

Specs	Choice	Model:	3+1 STEPS
Installation	Indoor	Batustrade:	Last change date: 28-10-2015
Handrails	Oak	Round	Product Name FLEXSTEP V2
Step Inserts	Oak	Lifting Capacity: 400 kg	Scale: 1:25
Colour	Akzo Nobel 900	Drawn by: MP	A4
Packing	Carton or Wood Pallet Box	Customer :	
Op. Panel			

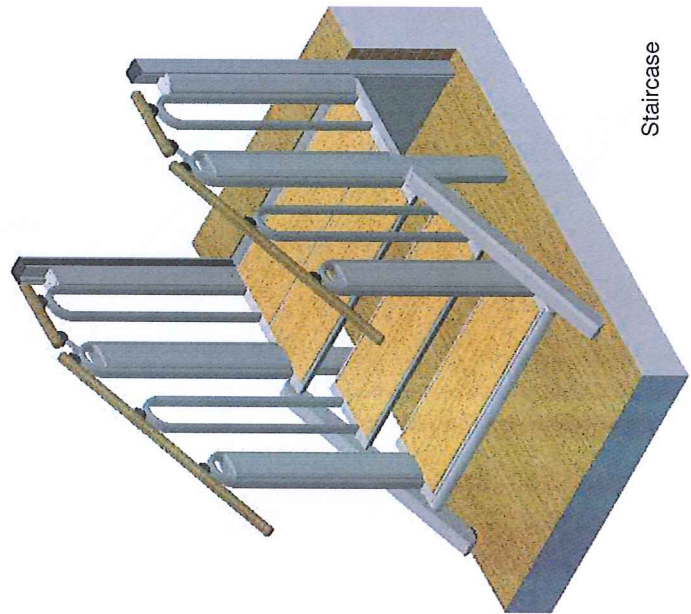




Position at top landing



Position at lower landing

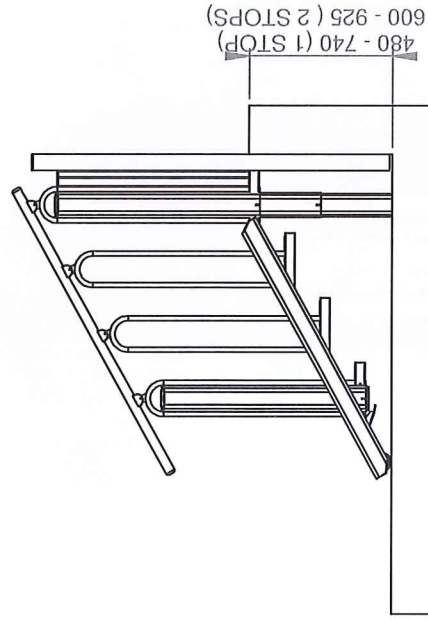
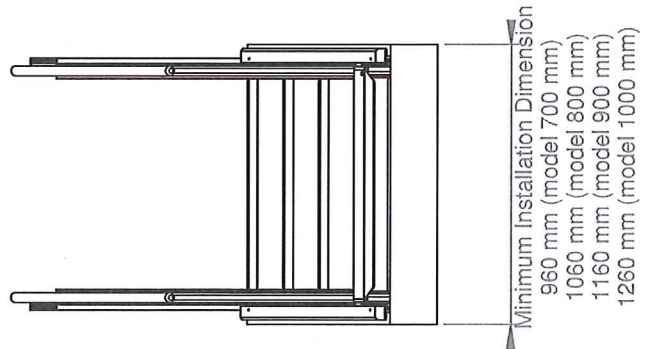
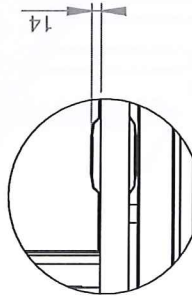
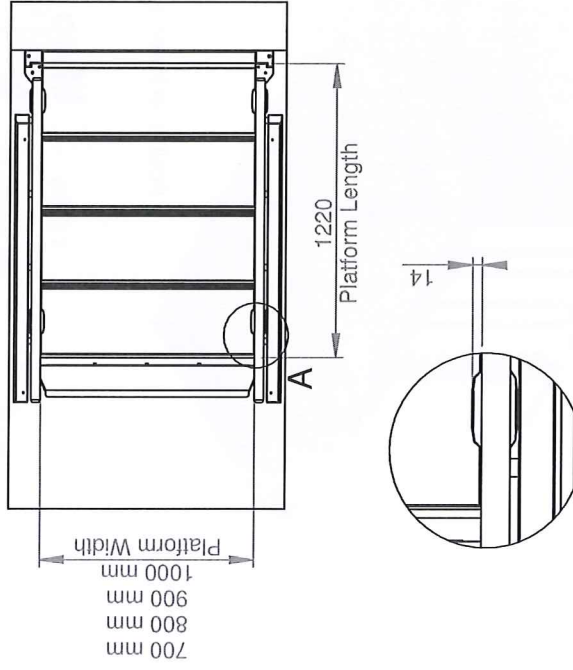
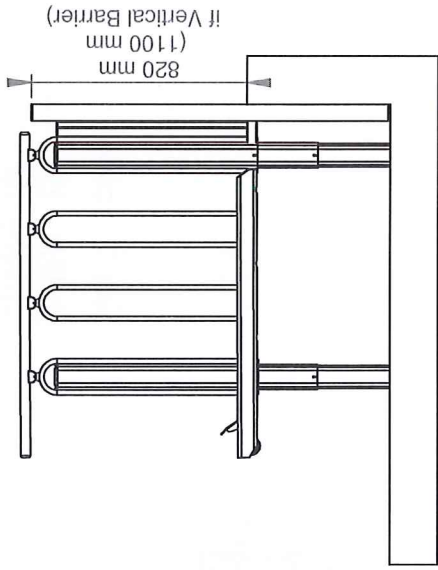
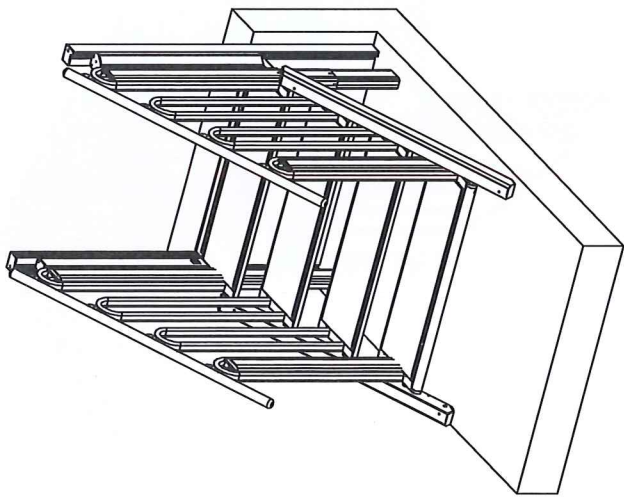


Staircase

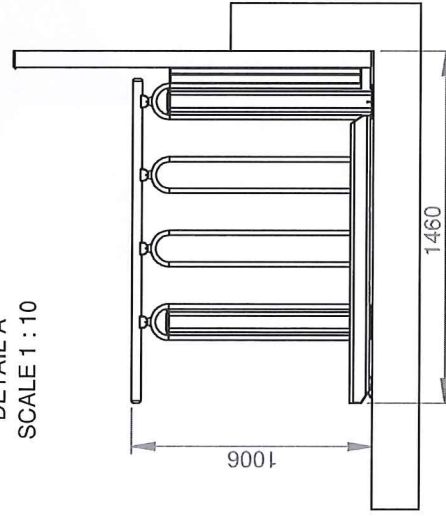
Specs.	Choice	Model:	3+1 STEPS
Installation	Indoor	Balustrade:	Last change date: 28-10-2015
Handrails	Oak	Round	
Step Inserts	Oak	Lifting Capacity:	400 kg
Colour	Akzo Nobel 900	Drawn by:	MP
Packing	Carton or Wood Pallet Box	Customer :	
Op. Panel			



Product Name
FLEXSTEP V2
Scale: 1:25 A4

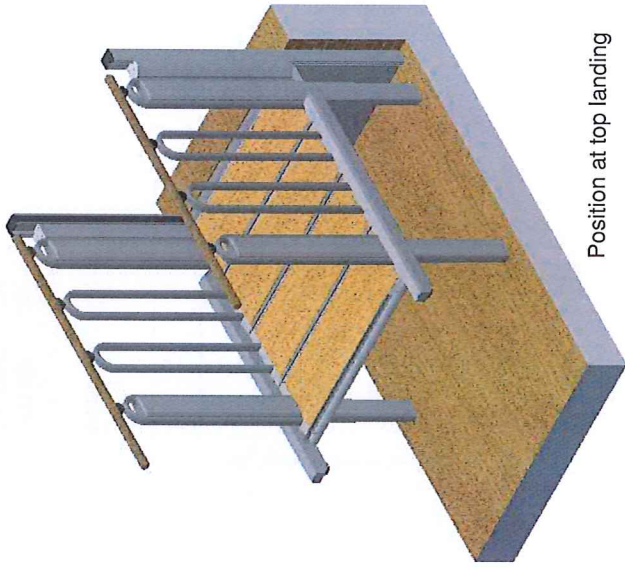


DETAIL A
SCALE 1 : 10

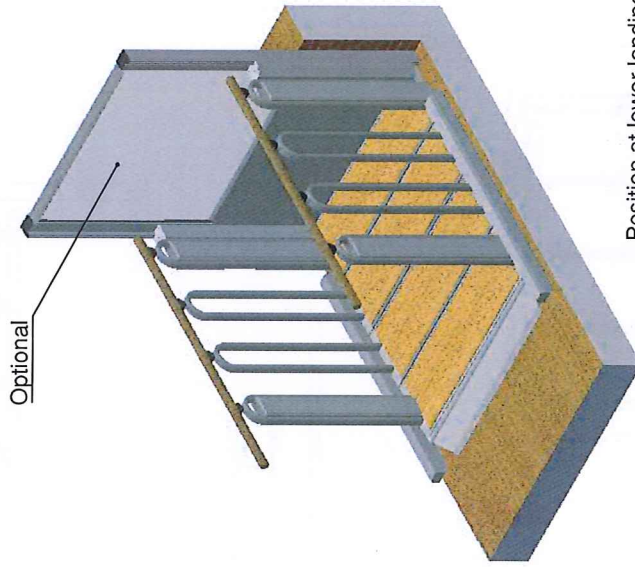


Specs	Choice	Model:	4 STEPS
Installation	Indoor	Model:	4 STEPS
Handrails	Oak	Balustrade:	Last change date: 28-10-2015
Step Inserts	Oak	Round	
Colour	Akzo Nobel 900	Lifting Capacity:	Product Name FLEXSTEP V2
Packing	Carton or Wood Pallet Box	400 kg	Scale: 1:30 A4
Op. Panel		Drawn by: MP	
		Customer :	

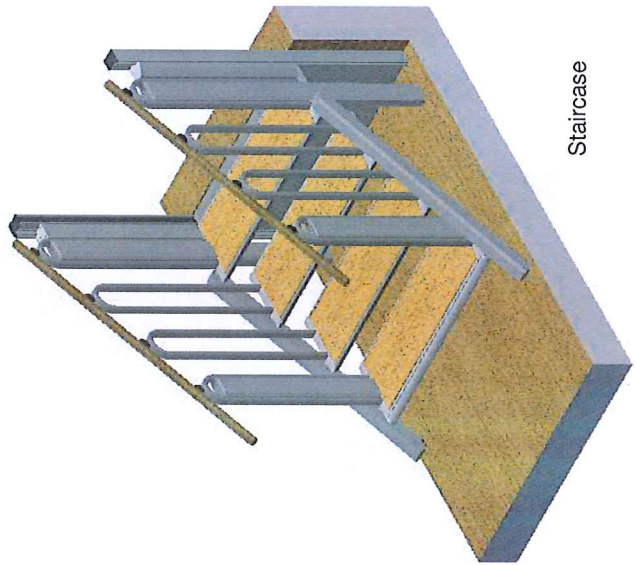




Position at top landing



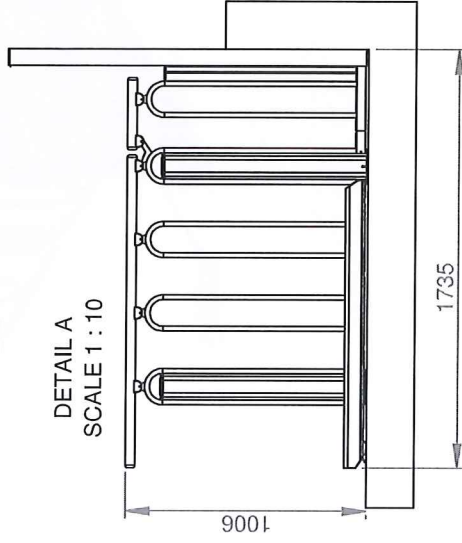
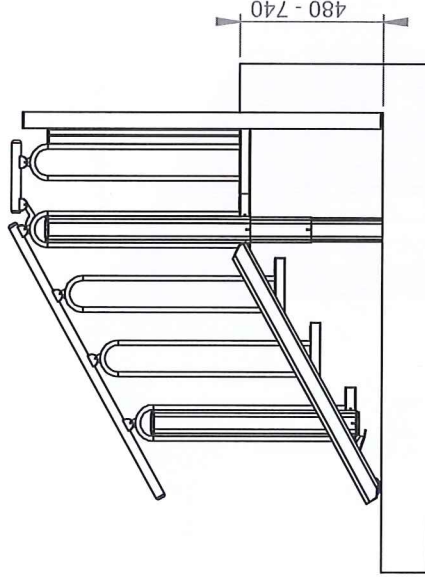
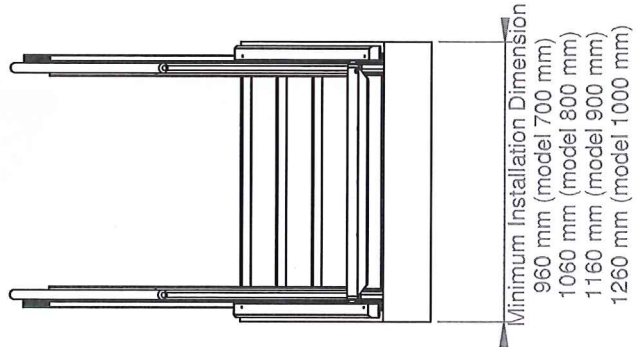
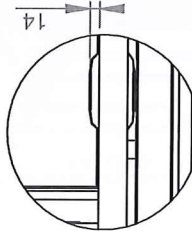
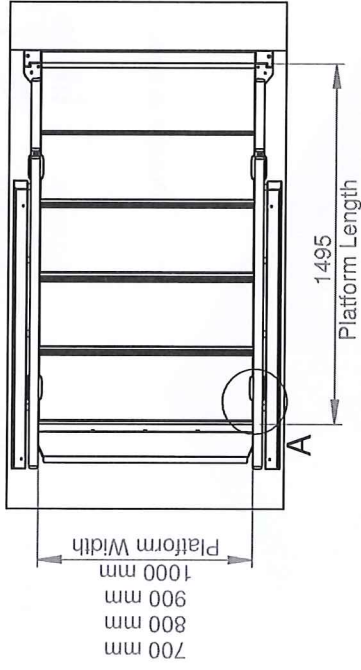
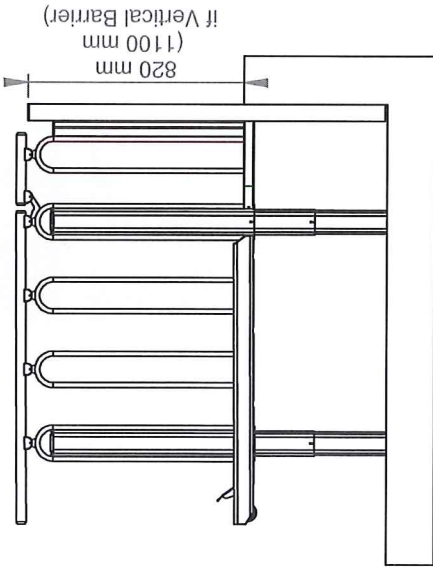
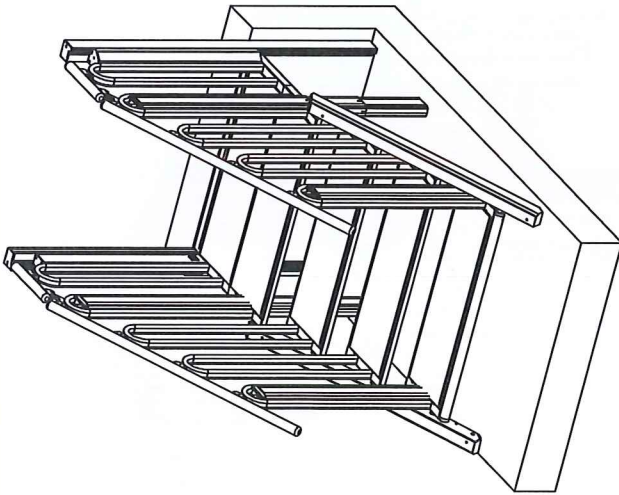
Position at lower landing




Staircase

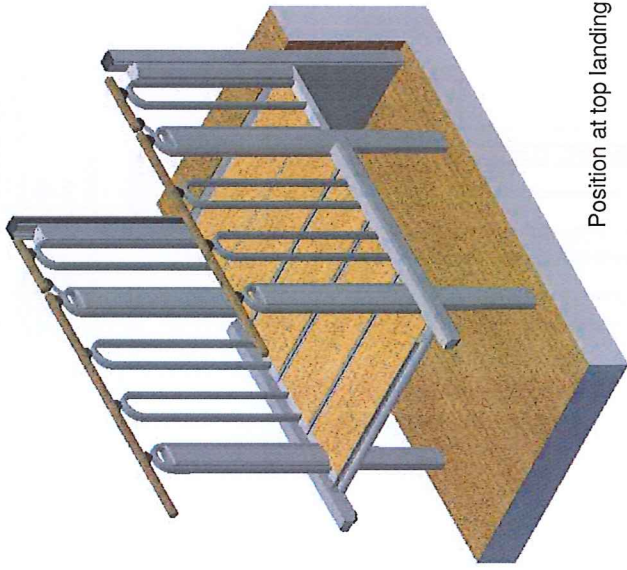
Specs:	Choice	Model:	4 STEPS
Installation	Indoor	Balustrade:	Round
Handrails	Oak	Lifting Capacity:	400 kg
Step Inserts	Oak	Drawn by:	MP
Colour	Akzo Nobel 900	Customer :	
Packing	Carton or Wood Pallet Box		
Op. Panel			
		Last change date: 28-10-2015	
		Product Name FLEXSTEP V2	
		Scale: 1:30 A4	



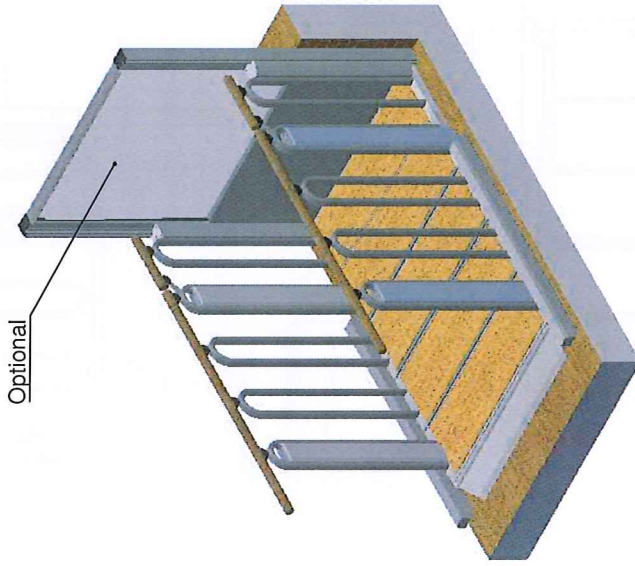


DETAIL A
SCALE 1 : 10

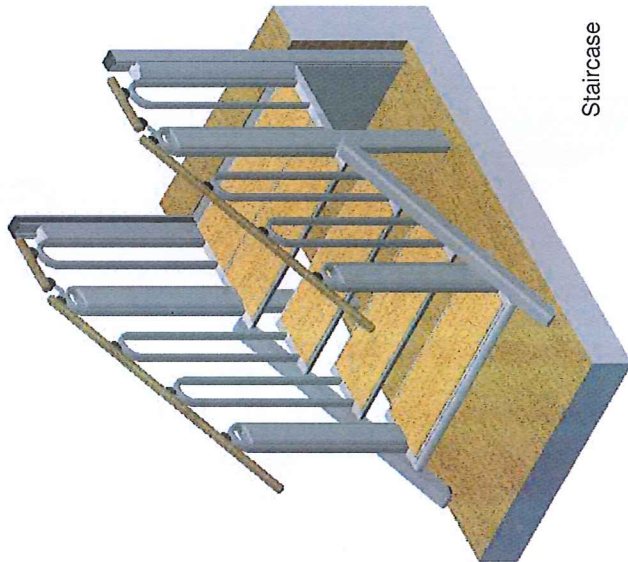
Specs	Choice	Model:	4+1 STEPS	
Installation Handrails	Indoor Oak	Balustrade:	Last change date: 28-10-2015	
Step Inserts Colour	Oak Akzo Nobel 900	Lifting Capacity:	400 kg	Product Name
Packing Op. Panel	Carton or Wood Pallet Box	Drawn by:	MP	FLEXSTEP V2
		Customer :		Scale: 1:30 A4




Position at top landing

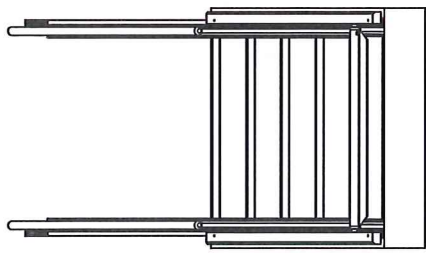
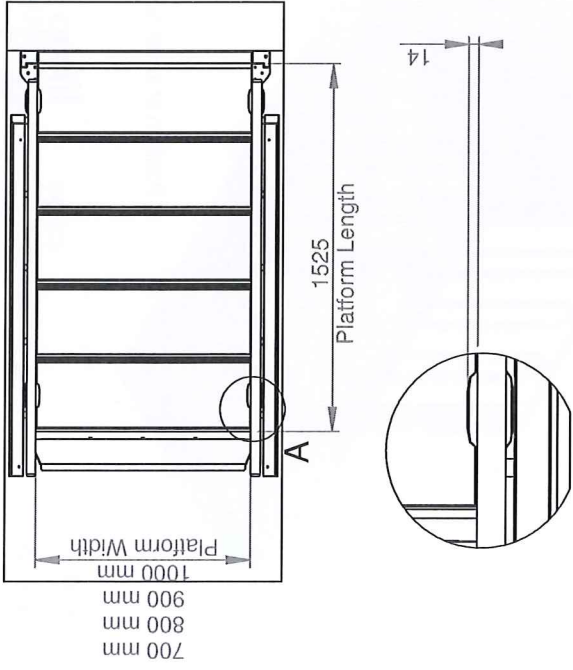
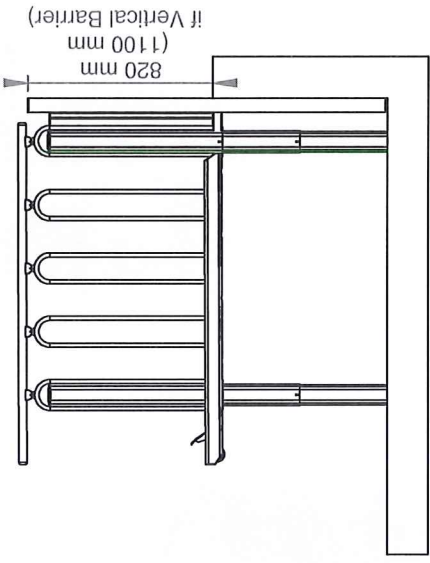
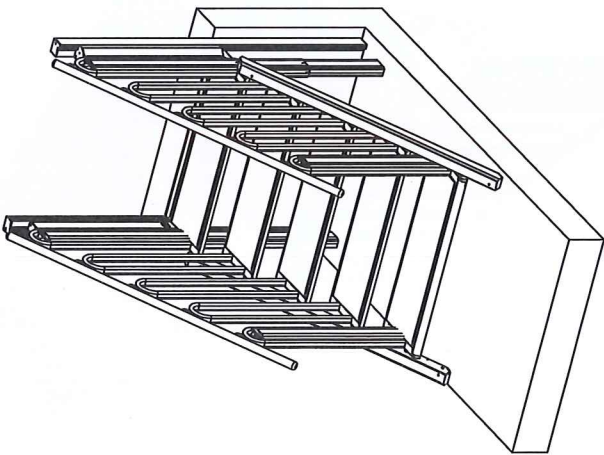


Position at lower landing

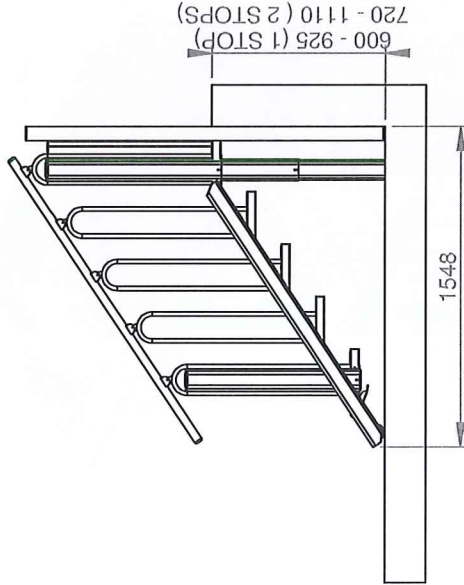


Staircase

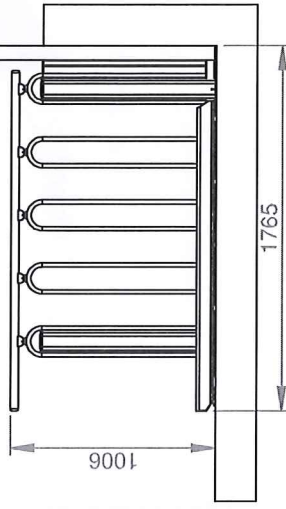
Specs.	Choice	Model:	4+1 STEPS
Installation	Indoor	Balustrade:	Last change date: 28-10-2015
Handrails	Oak	Round	
Step Inserts	Oak	Lifting Capacity:	400 kg
Colour	Akzo Nobel 900	Drawn by:	MP
Packing	Carton or Wood Pallet Box	Customer :	
Op. Panel			
			
		Product Name FLEXSTEP V2	
		Scale: 1:30 A4	



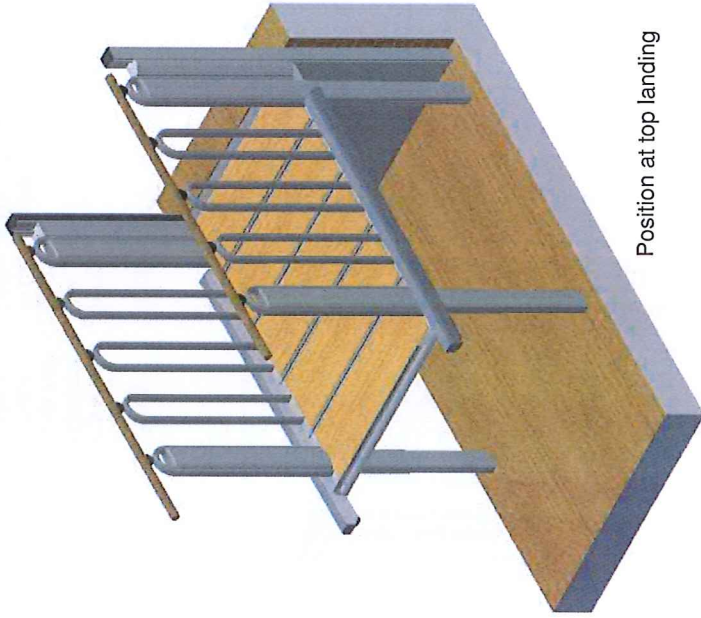
Minimum Installation Dimension
 960 mm (model 700 mm)
 1060 mm (model 800 mm)
 1160 mm (model 900 mm)
 1260 mm (model 1000 mm)



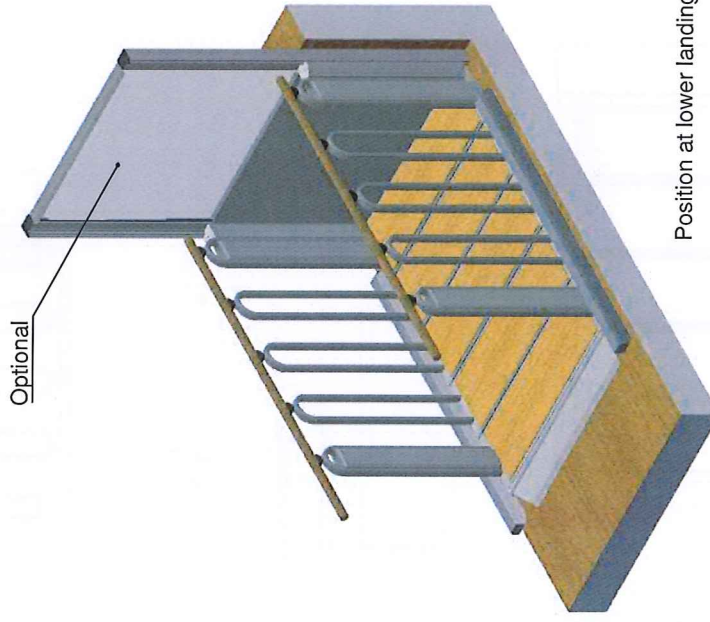
DETAIL A
 SCALE 1 : 10



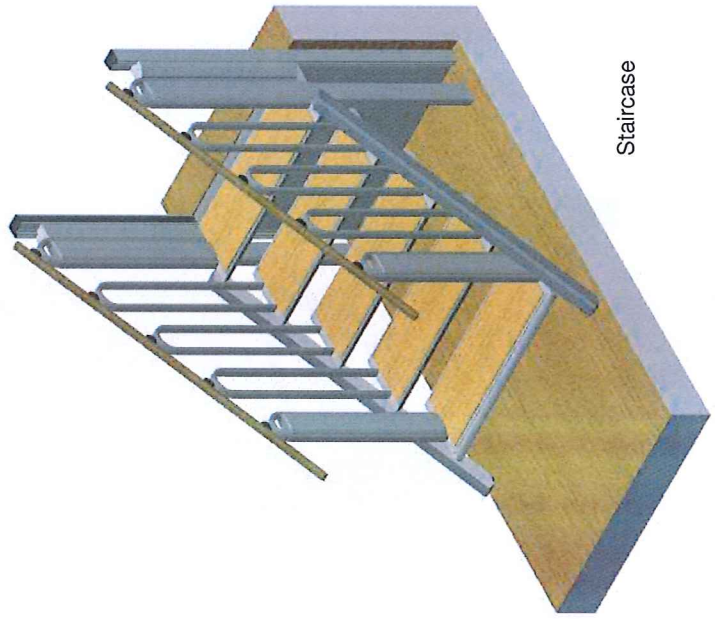
Specs.	Choice	Model:	5 STEPS	liftup
Installation	Indoor	Balustrade:	Last change date:	Product Name FLEXSTEP V2
Handrails	Oak	Round	28-10-2015	
Step Inserts	Oak	Lifting Capacity:	400 kg	Scale: 1:35 A4
Colour	Akzo Nobel 900	Drawn by:	MP	
Packing	Carton or Wood Pallet Box	Customer :		
Op. Panel				



Position at top landing



Position at lower landing

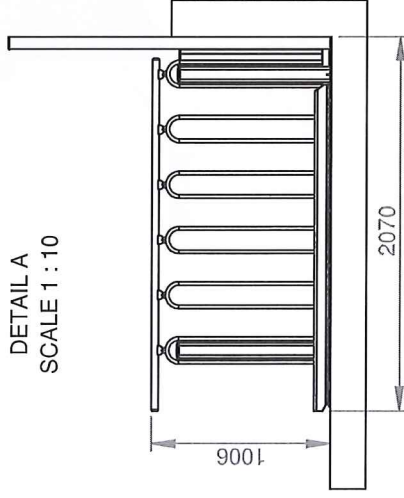
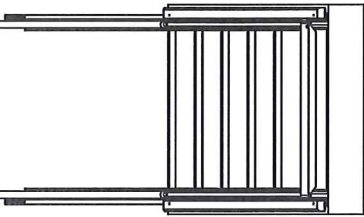
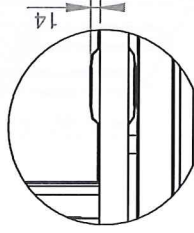
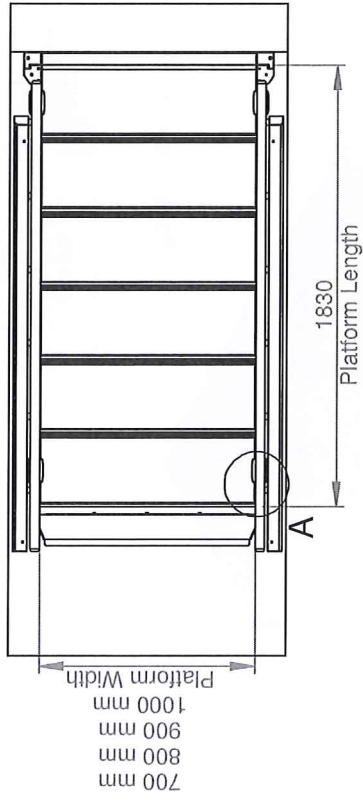
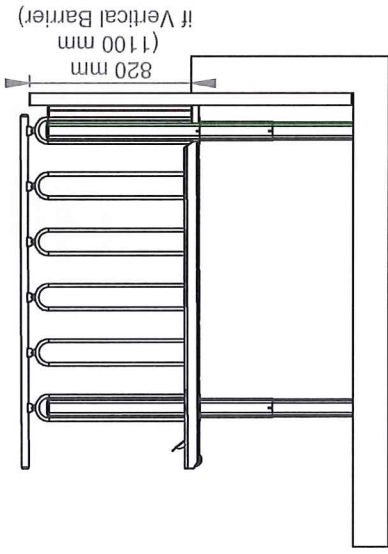
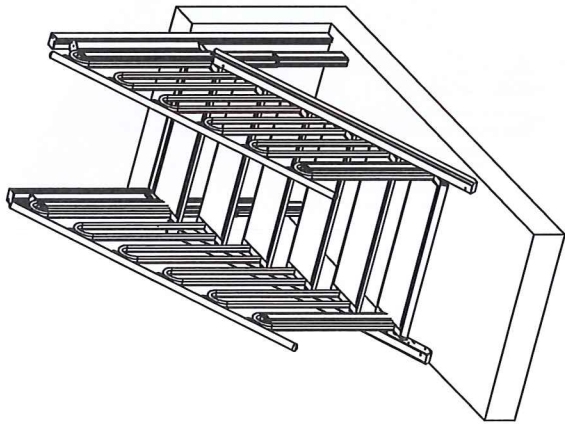


Staircase

Specs:	Choice	Model:	5 STEPS
Installation	Indoor	Balustrade:	Last change date: 28-10-2015
Handrails	Oak	Round	
Step Inserts	Oak	Lifting Capacity:	400 kg
Colour	Akzo Nobel 900	Drawn by:	MP
Packing	Carton or Wood Pallet Box	Customer :	
Op. Panel			



Product Name
FLEXSTEP V2
Scale: 1:30 A4

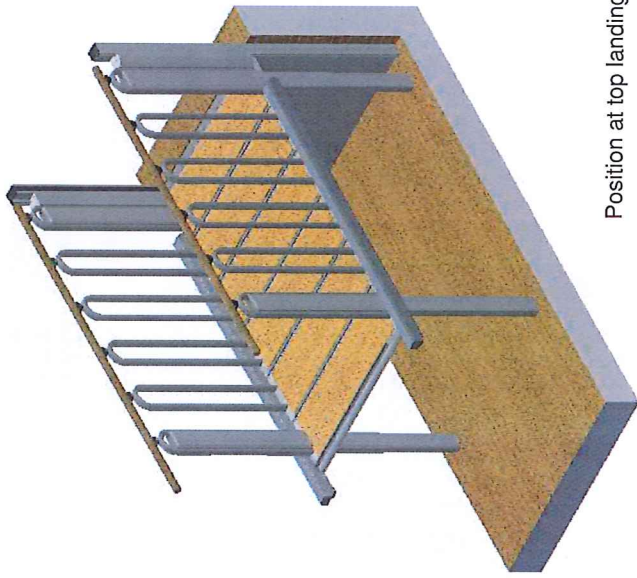


DETAIL A
SCALE 1 : 10

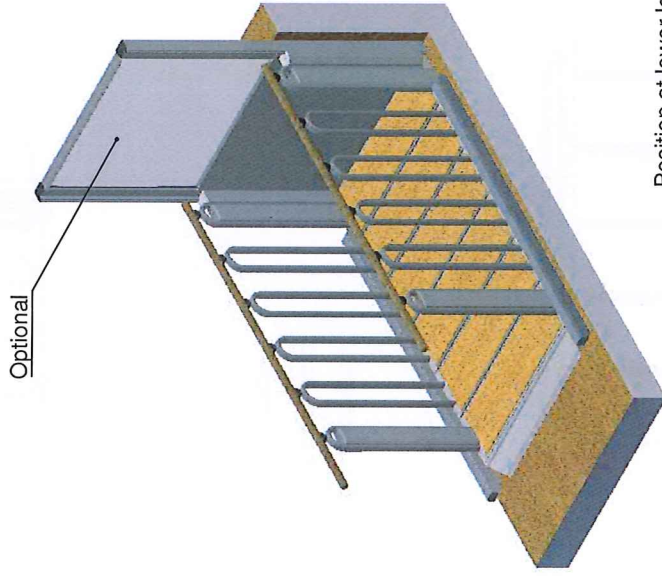
Minimum Installation Dimension
 960 mm (model 700 mm)
 1060 mm (model 800 mm)
 1160 mm (model 900 mm)
 1260 mm (model 1000 mm)

Specs.	Choice	Model:	6 STEPS
Installation	Indoor		
Handrails	Oak	Balustrade:	Last change date: 28-10-2015
Step Inserts	Oak	Round	
Colour	Akzo Nobel 900	Lifting Capacity:	400 kg
Packing	Carton or Wood Pallet Box	Drawn by:	MP
Op. Panel		Customer :	
		Product Name	FLEXSTEP V2
		Scale:	1:40 A4

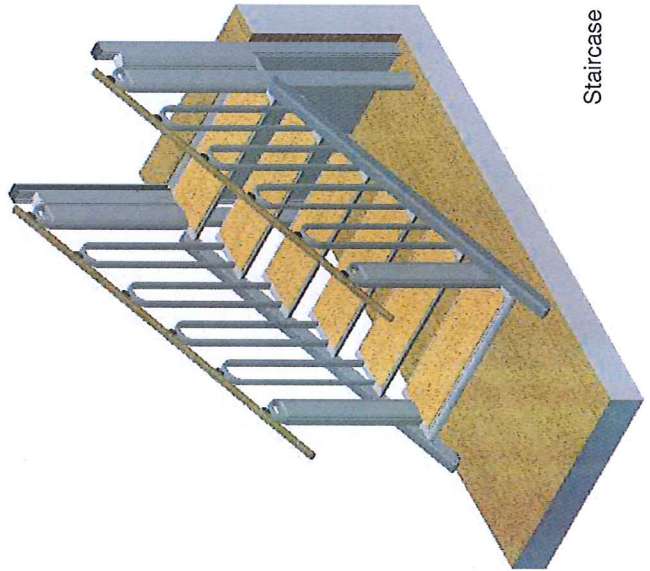




Position at top landing



Position at lower landing



Staircase

Specs.	Choice	Model:	6 STEPS
Installation	Indoor	Balustrade:	Last change date: 28-10-2015
Handrails	Oak		
Step Inserts	Oak	Round	
Colour	Akzo Nobel 900	Lifting Capacity:	400 kg
Packing	Carton or Wood Pallet Box	Drawn by:	MP
Op. Panel		Customer :	
			Product Name
			FLEXSTEP V2
			Scale: 1:35
			A4

