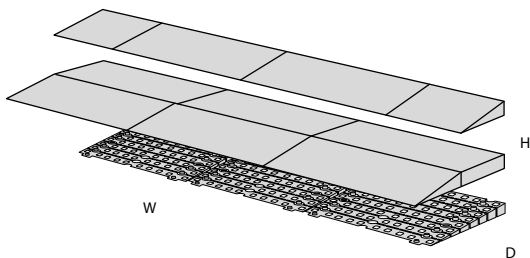


RAMP KIT 001

Height: 1,5-5,5cm

Width: 75 cm Can be cut down to fit all widths under 75cm

Depth: 25 cm



Included

12 x



6 x



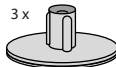
3 x



3 x



3 x



6 x



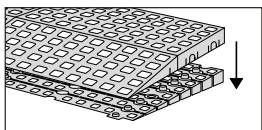
MD Medical Device

Danish Design Pat. Pend. and produced
in Denmark by Excellent Systems A/S

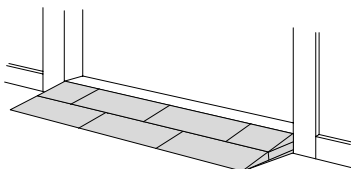
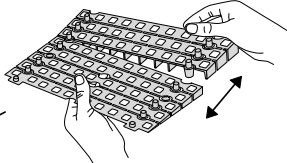
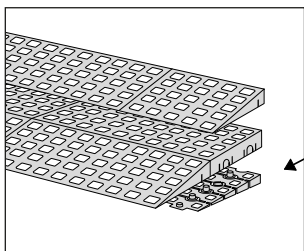
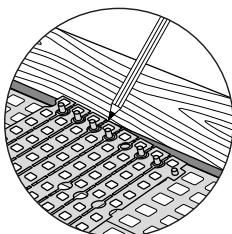
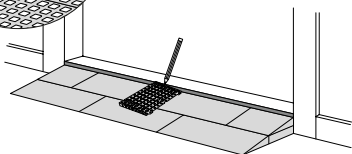
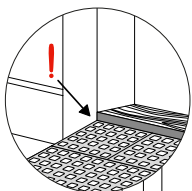
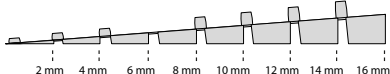


HEIGHT ADJUSTMENT

Remove Ramp Adjuster from toplayer:

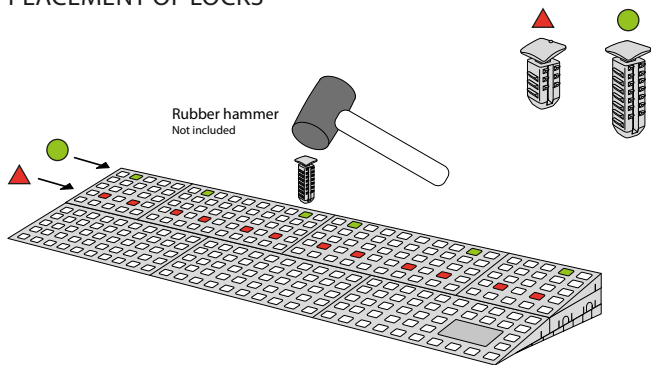


Heights:

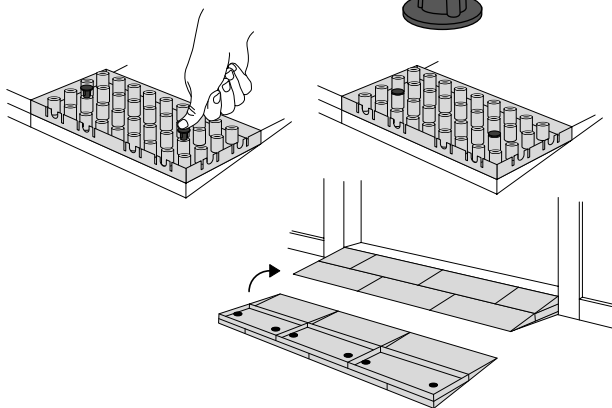


For heights from 15-18 mm cut front ramp with saw, jigsaw or carpet knife

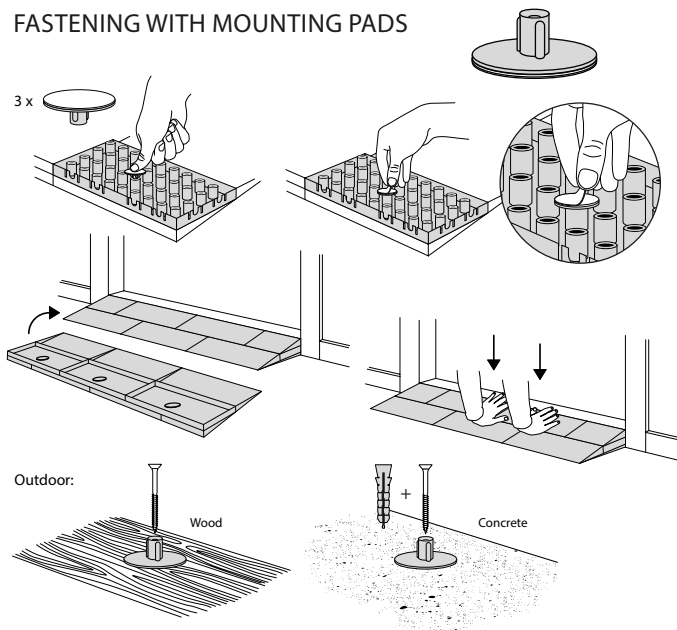
PLACEMENT OF LOCKS



FASTENING WITH STOPPERS



FASTENING WITH MOUNTING PADS



DISPOSAL



KIT and KIT parts: These products are made from PE (Polyethylen). For disposal after use we encourage you to make sure that the KIT is either returned to the point of purchase for collection and shipment back to Excellent (for regeneration), or sorted according to the recommendations in your local area.



Plastic bag: Recycled as clear LDPE plastic.



Cardboard box: Recycled as cardboard.



Brochure and instruction: Recycled as paper after end use.

