

OCUTECH® The *InstaMount On and Off* Bioptic

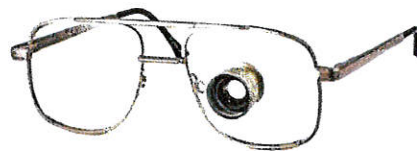
- Ocutech's popular **2.2x Galilean Telescope (TS)** and **0.5x Field Expander (FE)** mounted on a magnetic clip frame lets your patient take their low vision aid on and off as they desire.
- The **InstaMount Telescope Series** provides bright, sharp optics and are designed to be small, lightweight, and hi-tech in appearance.
- 2.2x Telescope: 14 degree field of view, in focus from 6 feet to infinity
- 0.5x Field Expander: Provides an undistorted, flat minified image for tunnel vision patients
- Fits in front of the regular eyeglass prescription
- No eyepiece corrections required
- Easy to take on and off



Ocutech InstaMount 2.2x Telescope
in Bioptic Position



Ocutech InstaMount 2.2x Telescope
taken off Carrier Frame



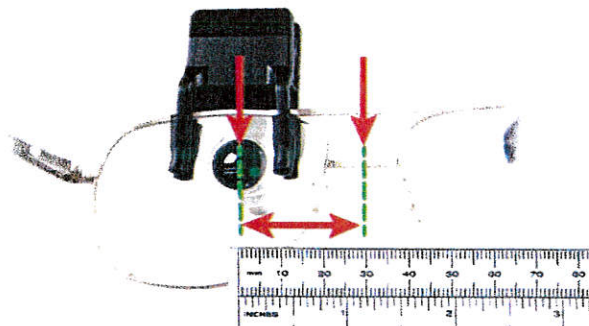
Ocutech InstaMount 0.5 Field Expander
in Full Diameter Position

Demonstrate, fit and order using the convenient (reusable) demonstrator clip:

1. Simply position the telescope on the frame in front of the preferred eye,
2. Determine proper location, by confirming that the patient sees well through the telescope,
3. Measure from the center of the bridge to the center of the eyepiece to determine the telescope pupillary distance (PD),
4. Order the eyepiece 10mm below the top of the lens and at a 10 degree upward angle,
5. Prescribe the patient's normal prescription in the carrier lenses,
6. And Ocutech will do the rest!



Ocutech InstaMount 2.2x Mounted on Demonstrator Clip



Use your own magnetic clip frames or choose one provided by Ocutech:



Oval: Takumi T9620 47/19/140
Brown, Gunmetal, Light Bronze



Small Rectangle: Cargo C5020
50/19/140 Brown, Gunmetal, Black



Large Rectangle: Cargo C5018
54/18/140 Brown, Gunmetal, Black

OCUTECH®
Vision Enhancing Systems

109 Conner Drive, Suite 2105 Chapel Hill, North Carolina 27514
919 967-6460 • 800-326-6460 • 919 967-8146 Fax • www.ocutech.com

MULTIOPTIKK AS

Tlf. 22 65 50 70 - post@multioptikk.no
www.multioptikk.no