

TAWI



CE

User manual TAWI chain hoist



Table of contents

Spare parts / Ordering spare parts	4
0 General instructions.....	5
0.1 General safety instructions	5
0.1.1 Safety and hazard information	5
0.2 General safety regulations and organisational measures	5
0.2.1 Warning markings / Legends / Warning signs.....	5
0.3 Particular safety instructions.....	5
0.4 Instructions for hazard protection	6
0.4.1 Hazards - Mechanical	6
0.4.2 Hazards - Electrical.....	7
0.4.3 Sound pressure level	7
0.5 Technical status	7
0.5.1 Periodic checks.....	8
0.5.2 Warranty.....	8
0.6 Intended use	8
0.6.1 Use of the instruction manual	9
1 Description	9
1.1 Operating conditions	9
1.2 General description.....	11
1.3 Emergency stop	12
2 Start-up	12
2.1 Transport and assembling.....	12
2.2 Connecting.....	12
2.2.1 Electrical connection.....	12
2.2.2 Load chain.....	14
2.2.3 Limit switch.....	16
2.2.4 Chain container	16
3 Care and maintenance.....	17
3.1 General guidelines for maintenance and servicing.....	17
3.2 Care and maintenance.....	18
3.2.1 Care overview	18
3.2.2 Maintenance overview	18
3.2.3 Braking system.....	18
3.2.4 Load chain.....	19
3.2.5 Limit stop.....	20
3.2.6 Gearing	20
3.2.7 Slipping clutch.....	20
3.2.8 Suspension parts	20
4 Measures for achieving safe operating periods	21
4.1 Determining the actual operating time	21
4.2 General overhaul.....	22
4.3 Disposal	22
5 Appendix	23
5.1 Technical data	23
5.2 Electrical parameters	24
5.3 EC Declaration of conformity	26
5.4 EC Declaration of incorporation	27

Spare parts / Ordering spare parts

The correct order numbers for original spare parts can be obtained from the relevant spare parts list. Please ensure that you have the following data on your chain hoist to hand. This will enable the correct spare parts to be supplied without delay.

Electric chain hoist type:

Serial number:

Year of manufacture:

Load capacity:

0 General instructions

0.1 General safety instructions

0.1.1 Safety and hazard information

The following symbols and terms are used in this instruction manual for safety and hazard instructions:



DANGER !

Non-compliance, either in part or full, with operating instructions with this symbol can result in serious personal injury or fatal accidents. Warning information must be **strictly** adhered to.



CAUTION !

Non-compliance, either in part or full, with operating instructions with this symbol can result in major damage to machinery, property or material. Information in the category «Caution» is to be **exactly** adhered to.



NOTE

Following the instructions marked with this symbol will lead to more effective and straightforward operation. Note directions make work easier.

0.2 General safety regulations and organisational measures

The instruction manual for the electric chain hoist must always be available within the operating area of the hoist. The instructions mentioned in this manual must be strictly adhered to. Furthermore, supplementary to the instruction manual, the statutory regulations governing general accident prevention and environmental protection are to be enforced.

Operating and service personnel must have read and understood the instruction manual, in particular the safety instructions, before commencing work. Protective equipment must be made available for operating and service personnel and worn at all times. The operator or his representative is responsible for supervising operating personnel and ensuring they are aware of the hazards and safety implications of working with the electric hoist.

The manufacturer reserves the right to make technical changes to the product or changes to these instructions and assumes no liability for the completeness and up-to-dateness of these instructions. The original version of these instructions is in the German language. In case of doubt, the original German version is exclusively valid as a reference document.

0.2.1 Warning markings / Legends / Warning signs

- Oil chain figure 0-1
- CE sign figure 0-2
- Type plate figure 0-3
- Data plate figure 0-4
- Voltage figure 0-5

Figure 0-1

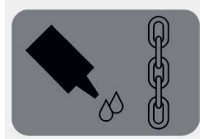


Figure 0-2



Figure 0-3

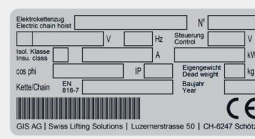


Figure 0-4

		ISO 43011 Lbsft / Load t (metric)					
Typ	m/min	M3	M4	M5	M6	M7	M7
Type	50 Hz	25 %	30 %	40 %	50 %	60 %	60 %
	60 Hz	150 lb	180 lb	240 lb	300 lb	360 lb	360 lb

Figure 0-5



0.3 Particular safety instructions

Transport and assembly:

- Electric chain hoists, single parts and large components should be carefully fixed to suitable and technically acceptable hoisting apparatus / load lifting members.

Electrical connection:

- Connection work is only to be performed by personnel specifically designated and trained for the job.

Start-up / Operation:

- Before initial start-up, as well as daily start-up, carry out a visual check and carry out the predefined user-checks routine.
- Only operate the electric chain hoist if the protective and safety equipment provided is ready and working.
- Damage to the electric chain hoist and changes in its operational characteristics must be reported immediately to the responsible person.
- After use, or when in a non-operational mode, the chain hoist should be secured against unauthorised and unintentional use.
- Refrain from hazardous procedures.

See also intended use (chapter 0.6).

Cleaning / Service / Repair / Maintenance / Refitting:

- Use working platforms provided for assembly work at high level.
- Do not use machine parts for this purpose.
- Check electrical cables for damage or wear.
- Ensure any oils or other agents used are collected and disposed of safely and in an environmentally sound manner.
- Reassemble and check safety installations that have been disassembled for servicing or repairing the hoist once service and repair work has been completed.
- Adhere to predefined testing and service intervals specified in the instruction manual.
- Follow the directions in the instruction manual regarding exchanging parts.
- Operating personnel should be informed before commencing special or refitting work.
- Secure the repair working area.
- Prevent the electric chain hoist from being unexpectedly switched on during service or repair work.
- Erect warning signs.
- Disconnect the power cable and ensure it cannot be switched on again by unauthorized personnel.
- Retighten screw connections that have been loosened for repair or service work.
- Replace non-reusable fixing elements and seals (e.g. self-locking nuts, washers, cotter pins, O-rings and seals).

Shut down / Storage:

- Clean and preserve (lubricate/grease) the chain hoist before long periods of inactivity or storage.

0.4 Instructions for hazard protection

Hazardous areas must be clearly marked by warning signs and cordoned off. It must be ensured that warnings regarding hazardous areas are given due attention.

Hazards can stem from:

- incorrect application
- not following safety directions properly
- not carrying out test and service work thoroughly

0.4.1 Hazards - Mechanical



Physical injury:

Unconsciousness and injury through:

- crushing, shearing, cutting and twisting
- drawing in, ramming, piercing and rubbing
- slipping, stumbling and falling

Causes:

- crushing, shearing and twisting
- parts rupturing or bursting

Safety options:

- keep floor, equipment and machinery clean
- eliminate leakages
- observe the required safety distance

0.4.2 Hazards - Electrical

Work on electrical apparatus or machinery may only be performed by qualified electricians or persons under the supervision and guidance of qualified electricians, in accordance with predefined electro-technical regulations.



Physical injury:

Death from electrical shock, injury and burns through:

- contact
- faulty insulation
- faulty servicing or repair work
- short circuit

Causes:

- Contact with, touching or standing too close to uninsulated power and live parts.
- Use of uninsulated tools.
- Exposed electricity supply terminals following insulation failure.
- Inadequate safety checks following repair work.
- Incorrect fusing.

Safety options:

- Isolate machinery and equipment designated for repair or service work before commencing such work.
- First check isolated parts for power.
- Regularly check electrical fittings.
- Replace loose or damaged cables immediately.
- Always replace blown fuses with fuses of the correct type/value.
- Avoid contact with or touching live terminals.
- Only use insulated tools.

0.4.3 Sound pressure level

Tests on the chain hoist sound level are performed at a range of 1, 2, 4, 8 and 16 metres from the centre of the chain hoist motor to the measuring device. Measurement of SPL according to DIN 45 635.

The SPL was measured:

- a) During operation of electric chain hoists on factory site.
- b) During open-air operation of electric chain hoists.

Table 0-1 Sound level

Measuring distance		1 m	2 m	4 m	8 m	16 m
Types	Measurement type	dBA				
GP 250/500	a	65	62	59	56	53
	b	65	59	53	47	41
GP 250/500 1Ph	a	76	73	70	67	64
	b	76	70	64	58	52
GP 1000	a	80	77	74	71	68
	b	80	74	68	62	56



When working in a noisy environment, the use of ear protection is recommended.

0.5 Technical status

This instruction manual was issued in 2016. It corresponds to directive 2006/42/EC of the European Parliament and council of 17 May 2006. The GP models are calculated for the case of operation with a shock factor of 1.4 (according to DIN EN 818-7 with max. 8 m/min). The accidents audited by the laboratory generate smaller shock factors than the normal mode.

0.5.1 Periodic checks

Each device/unit operator should adequately note all checks, maintenance and inspections performed in the inspection pass, and have these confirmed by the competent person in charge. Incorrect or missing entries will lead to forfeiture of the manufacturer's warranty.



Equipment and cranes are to be checked periodically by a specialist. Primarily, visual and functional checks are to be carried out, whereby the state of components with respect to damage, wear, corrosion or any other changes are determined. In addition, safety equipment is assessed for completeness and efficiency. It may be necessary to dismantle the equipment to correctly assess wear parts.



Suspensions must be inspected over its entire length, including covered or hidden parts.



All periodical inspections should be arranged by the operator.

0.5.2 Warranty

The warranty is void if the installation, operation, testing and maintenance is not carried out according to this manual. Repairs and troubleshooting under warranty may only be carried out by qualified persons after consultation and agreement with the manufacturer / supplier. Any modifications to the product or the use of non-original spare parts will void the warranty.

0.6 Intended use

The electric chain hoists of the GP types are lifting equipment for various loads. They can be installed as stationary or mobile units, while a lateral oscillation must be ensured. The electric chain hoists are manufactured in accordance with the latest technical developments and recognised safety standards, and are tested for safe operation by the manufacturer. Electric chain hoists are approved by various international classification societies such as TÜV and others. Electric chain hoists of the above types may only be used when in an acceptable technical condition, in accordance with their intended use, by trained personnel in a safe and responsible manner.

General operating conditions:

- Ambient temperature : -15 °C to +50 °C
- Humidity..... : max. 80% relative humidity
- Protection class : IP 65
- Electromagnetic compatibility..... : immunity industrial area

We recommend to equip chain hoists working outdoors with a protective cover against the effects of the weather or to keep the chain, trolley and drive under a protection cover when not in use. Special operating conditions can be agreed in individual cases with the manufacturer. After consultation, appropriate, optimized equipment, and important information for safe, low-wear use can be supplied. The intended use of the electric chain hoist likewise assumes the adherence to the operating, maintenance and servicing prescribed by the manufacturer.

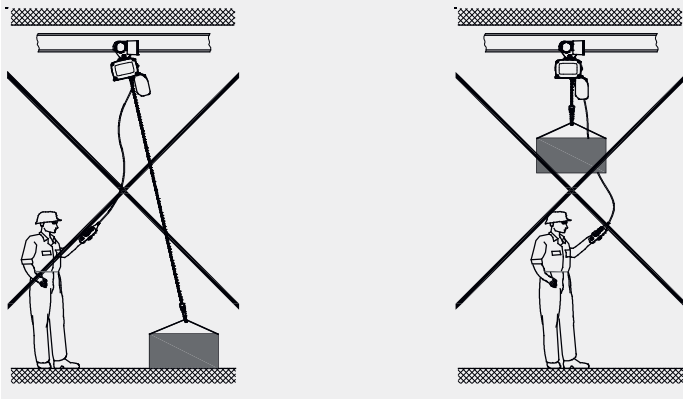
Improper use comprises:

- exceeding the defined maximum permissible load capacity
- pulling the load diagonally (maximum angle 4°, see figure 0-6)
- heaving, pulling or dragging the load
- transporting persons
- transporting loads when personnel are underneath
- standing under suspended loads (see figure 0-7)
- transporting excessive loads
- pulling on the control cable
- failing to observe the load hook constantly
- running the chain over edges
- failing to observe the load constantly
- allowing the load to fall due to a slack chain
- use in an explosive environment

See also chapter 0.3.

Figure 0-6

Figure 0-7



Excessive inching operations, ground mooring and driving against the limit stops should be avoided. The loads shall be lifted off the ground at the lowest available lifting speed (according to EN 14492). If these instructions are not followed, the manufacturer accepts no liability for damage to equipment and third parties caused by such actions.

0.6.1 Use of the instruction manual

This instruction manual includes the following chapters:

- | | |
|------------------------|---|
| 0 General instructions | 3 Care and maintenance |
| 1 Description | 4 Measures for achieving safe operating periods |
| 2 Start-up | 5 Appendix |

Supplementary to the instruction manual, the following documentation from the operator must be noted:

- Declaration of conformity
- Inspection pass
- Spare parts list(s)
- Circuit diagrams

Page- and figure numbering:

The pages are consecutively numbered. Blank pages are not numbered, however are calculated together with the consecutive pages. Figures are numbered consecutively by chapter. Example: Figure 3-1 means: in chapter 3, figure 1.

1 Description

The GP series includes the following models: GP, GP special designs.

1.1 Operating conditions

Classification according to application requirements:

Electric chain hoists and trolleys are categorised according to the following regulations into classifications:

- DIN EN 14492-2
- DIN 15401 (load hook)
- FEM calculation regulations for series lifting equipment (chain drive, motor, full load-life span)
- ISO 4301-1: D (M5) = 1600 h
- Remarks about general overhaul (see chapter 4)

There is different coefficient data for the classifications that must be adhered to in operation.



The travel trolley must have at least the same lifting capacity as the electric chain hoist.



The classification of the electric chain hoist can be found on the data plate.

The manufacturer will only guarantee the safety and lasting operation of the electric chain hoist when used for applications in accordance with valid standard values that fall within its classification. Before the first start-up, the user must estimate according to the parameters in table 1-1, which of the four types of load is applicable to the use of the electric chain hoist during its whole service life. The table 1-2 shows standard values for the operating conditions of the classifications depending on the type of load and time of operation.

Table 1-1 Load collectives

Load type 1 light $k < 0.50$ $k = 0.50$	Load type 2 medium $0.50 < k < 0.63$ $k = 0.63$	Load type 3 heavy $0.63 < k < 0.80$ $k = 0.80$	Load type 4 very heavy $0.80 < k < 1.00$ $k = 1.00$
Full load by way of an exception, however, predominantly low loads	Frequently fully loaded, however continuously lightly loaded	Frequently fully loaded, continuous average loading	Regularly fully loaded

k = Load collective (type of load)

Table 1-2 Operating conditions

Classification according to ISO 4301-1	M3	M4	M5	M6	M7
Load collective	Average operating time per working day [h]				
1 - light $k < 0.50$	up to 2	2 - 4	4 - 8	8 - 16	over 16
2 - medium $0.50 < k < 0.63$	up to 1	1 - 2	2 - 4	4 - 8	8 - 16
3 - heavy $0.63 < k < 0.80$	up to 0.5	0.5 - 1	1 - 2	2 - 4	4 - 8
4 - very heavy $0.80 < k < 1.00$	up to 0.25	up to 0.5	0.5 - 1	1 - 2	2 - 4

Ascertaining the correct type of application for an electric chain hoist:

Either the operating time or expected type of load can be used as a basis for ascertaining the correct type of application for the electric chain hoist.



Before initial operation of the electric chain hoist, it must be set, according to which load types contained in table 1-1 the electric chain hoist must be operated. Assignment to a load type or a load collective (k) applies for the whole service life of the equipment and may not be altered for operational safety reasons.

Example 1: Calculate permissible operating time of the electric chain hoist

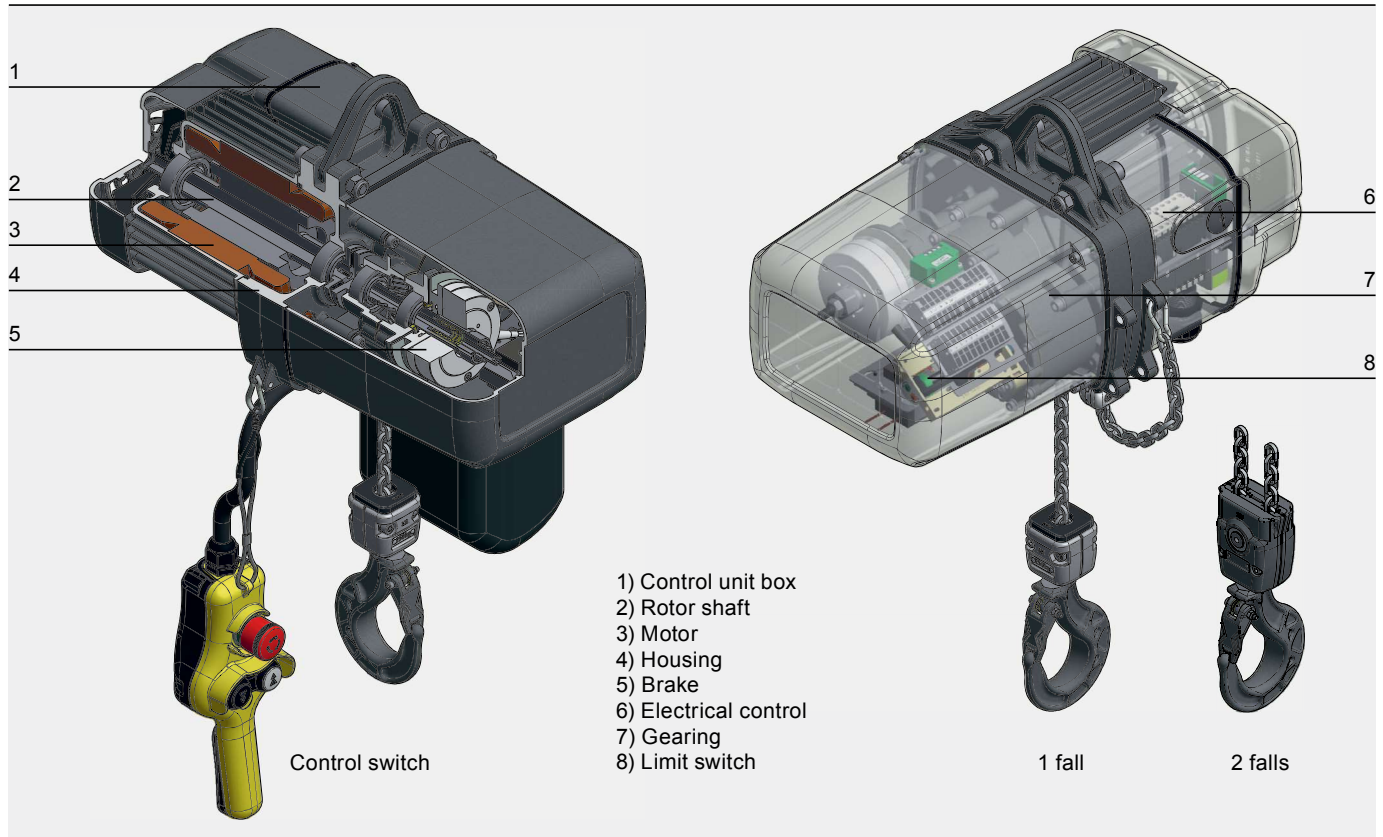
An electric chain hoist of the classification M4 is to be used for medium stress load tasks throughout its whole calculated operating time. This corresponds to the type of load <3 heavy> (see table 1-1). Corresponding to the values in table 1-2, the hoist should not be used for more than 0.5 - 1 hour per day.

Example 2: Calculate the permissible type of load

An electric chain hoist of the classification M5 is to be used for approximately 6 hours per working day, throughout its whole calculated operating time. Thus, the electric chain hoist must be operated according to the characteristics of the type of load <1 light> (see table 1-1).

1.2 General description

Figure 1-1



The electric chain hoist meets the requirements of the EC Machinery Directive and the relevant EN and FEM standards. Housing and cover are made of a sturdy die-cast aluminium. Cooling fins and a ventilator provide optimal cooling of the motor. The chain container can be attached to the compactly constructed housing. A drilled hole is provided for both the power supply cable gland and the control cable. At the housing eyebolt suspension or optionally hook suspension, are attached.

Electric chain hoists are driven by asynchronous motors. For two-speed models, a pole switching version of the motor is fitted. The braking system consists of a DC-operated spring-loaded brake. When there is no current, the pressure spring generates the braking torque.

The slipping clutch is built in front of the braking system according to its function. It protects the hoist from overload and takes on the function of an emergency stop for the highest and lowest hook positions. A geared limit switch is fitted to limit the highest and lowest hook position. As an option, emergency stop contacts with positive separation can be retrofitted downstream.

Electric chain hoists are fitted with a 42 V contactor control as standard. The emergency stop contactor that is usually installed separates all three mains power phases from the mains when the red button is pressed.

The high tensile Profile Steel Chain corresponds to grade DAT (8SS) according to DIN EN 818-7. The chain wheel is hardened. The load hook, which complies with DIN 15401, is fitted with a safety catch.

The 3-stage enclosed spur gears are generally helical. The gears are mounted on roller bearings and run greased. The standard equipment fitted to the electric chain hoist includes a control switch (up / down with emergency stop).

1.3 Emergency stop

By pressing the emergency stop button, the current supply of the electric chain hoist is stopped in all the phases. The movement of the electric chain hoist is stopped immediately. To release the emergency stop button, one has to turn in the direction indicated.



After an emergency stop, the operator can only set the electric chain hoist back in operation after an authorised person is convinced that the cause, which led to initiation of emergency stop, has been eliminated and poses no danger emanating from the continued operation of the device.

2 Start-up



Mechanical adjustments may only be performed by authorised specialists.



Operating staff must carefully read the instruction manual of the electric chain hoist before initial operation and carry out all the checks. Only after safe operation has been established, the device is put into operation. Unauthorised persons may not operate the device or carry out work with it.



The operator must create an inspection pass when starting-up the electric chain hoist. The inspection pass contains all the technical data and the date of start-up. It provides a record of all servicing and maintenance work.

2.1 Transport and assembling

The safety directions for handling with loads should be followed (see chapter 0.3) when transporting and assembling the electric chain hoist. Electric chain hoists must be assembled by qualified staff, always bearing in mind the accident prevention directions in chapter 0.2. Before start-up the electric chain hoist must be stored in an enclosed room or covered area. Should the electric chain hoist be destined for operation outdoors, then it is recommended that a protective cover is erected to shield it from the effects of the weather. Wherever possible, the electric chain hoist should be transported in its original packaging. The goods delivered should be checked for completeness and the packaging has to be disposed in an environmentally sound manner. It is recommended that the electric chain hoist is assembled and connected on-site by our qualified customer service engineers.

2.2 Connecting

2.2.1 Electrical connection



Electrotechnical installations may only be performed by authorised specialists.

The mains connection cable, the mains connection fuse and the main control switch for connecting the electric chain hoist to the mains power supply must be provided by the customer. A 4-wire cable with a PE protective conductor is needed to provide the power supply for three-phase version. A 3-wire cable with a protective conductor is adequate for single-phase version. The length and cross-section must be appropriate for the power consumption of the electric chain hoist.

- Before connecting the electric chain hoist, check whether the operating voltage and frequency that are specified on the name plate correspond to the available power supply.
- Remove the cover from the control unit box.
- Insert connection cable with M20 × 1.5 cable gland into the lower hole and connect to terminals L1, L2, L3 and PE according to the supplied wiring diagram (see figure 2-1).
- Insert control cable with M20 × 1.5 cable gland through lower hole of housing and connect to terminals 1, 2, 3, 4, 10 (see figure 2-2).
- Attach strain relief to housing (see figure 2-3).
- Reattach the cover of the control unit box.

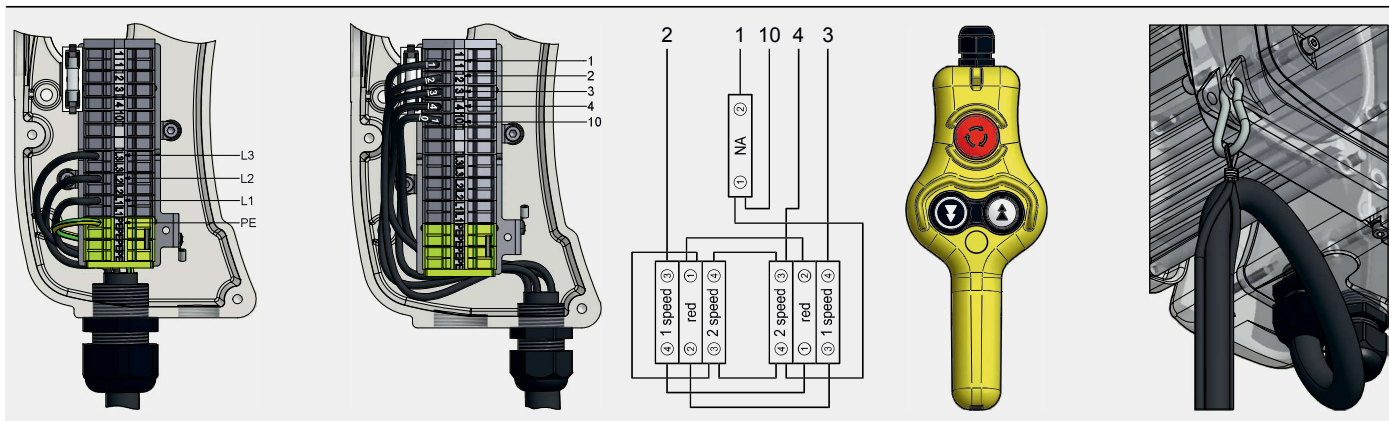


- To maintain the predetermined protection class IP 65, all cables must fit into the corresponding cable glands and the cover screws must be tightened after the connection with the torque specified in table 3.2.8.
- The control switch must be attached to the strain relief cord and not to the cable.

Figure 2-1

Figure 2-2

Figure 2-3



The protective conductor should not conduct any current. With the installation of a motor protector, the current of the electric chain hoist must be observed according to the type plate.



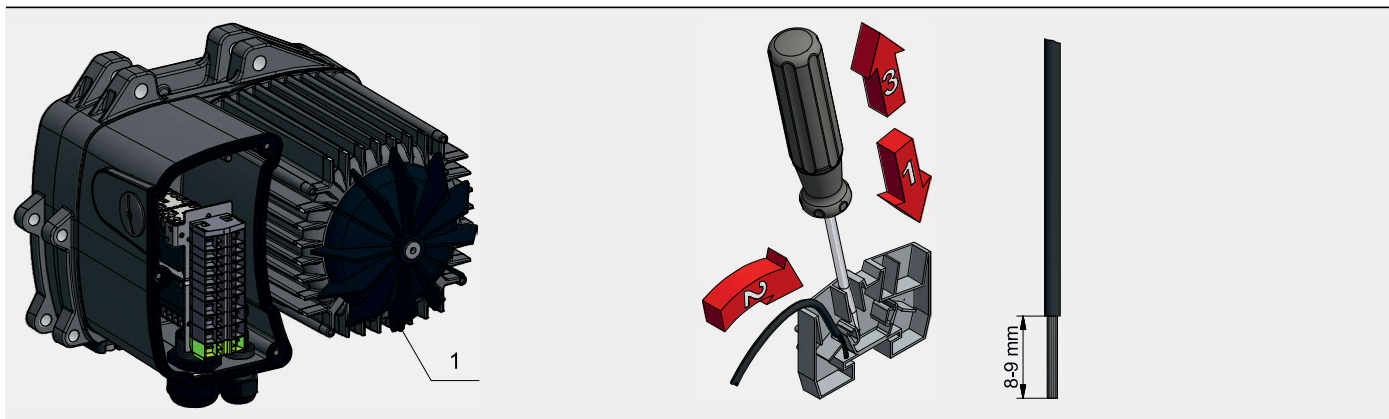
- Checking direction of rotation: If the directions of movement do not match the button symbols of the control switch, the supply line wires L1 and L2 must be changed.
- In the single-phase version, inching operations can cause malfunctions.
- When the cover is removed, observe the rotating fan wheel (1, see figure 2-4).



Open the terminal that is used in accordance with figure 2-5.

Figure 2-4

Figure 2-5



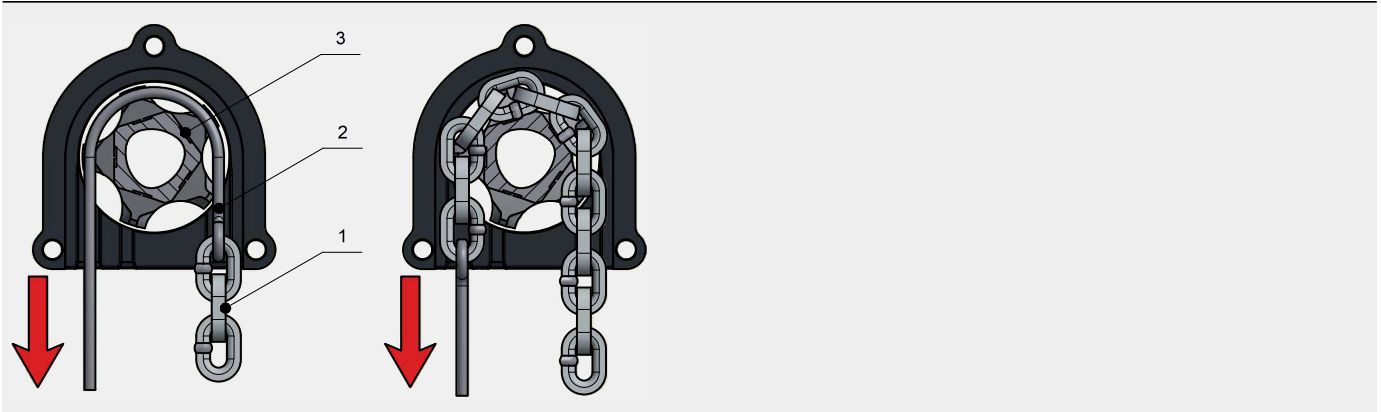
2.2.2 Load chain



- Only use original chains.
- Welded seam of the chain links must face inward on the chain wheel (see figure 2-6).
- The geared limit switch must be mechanically set for pulling in the chain, see chapter 2.2.3.

Before start-up and during operation, the load chain must be oiled along its full length. Oil must constantly be present on the internal, contacting and rubbing surfaces of the chain links. Lubrication is carried out by submersion or with an oil can, using a creeping gear oil. The end of the chain (1) should be attached to a flexible piece of wire or chain pulling loop (2) and fed through the chain wheel (3) of the electric chain hoist. Through short switching impulses, the chain will be pulled in correctly according to figure 2-6. The lifting height must be adjusted such that the hook fittings lie on the ground in the lowest hook position.

Figure 2-6



Chain end:

The chain end is to be fixed to the housing according to figure 2-7 or 2-8 and the limit stop according to figure 2-9. The section of chain after the limit stop (1) must be adjusted to the height of the chain container. Here, the length of the chain section must be selected that the limit stop lies on the floor of the container when the chain is pulled into it (see figure 2-10).

1 fall operation:

The load hook (1) is connected to the chain with a single fall hook clamp (2). For the power transmission, the mounting of the bolt (3) is important (see figure 2-11).



- Note correct arrangement of suspension (measurement k1, see figure 2-12):
GP 250/500 = 41 mm, GP 1000 = 43 mm.
- Grease the bearings thoroughly (load hook).

Figure 2-7

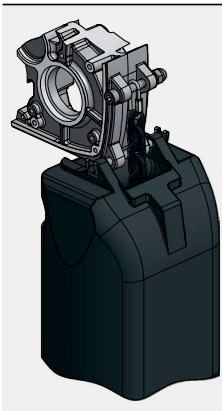


Figure 2-8

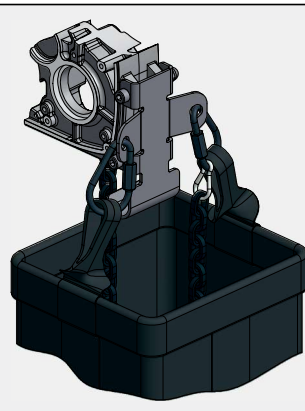


Figure 2-9

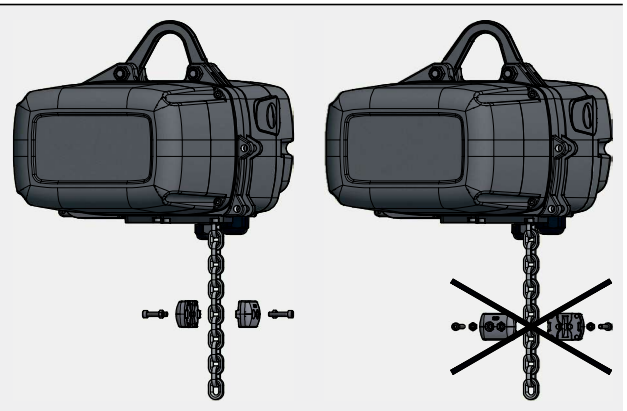


Figure 2-10

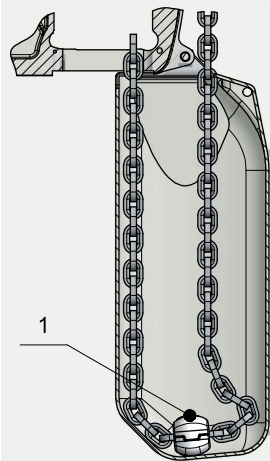


Figure 2-11

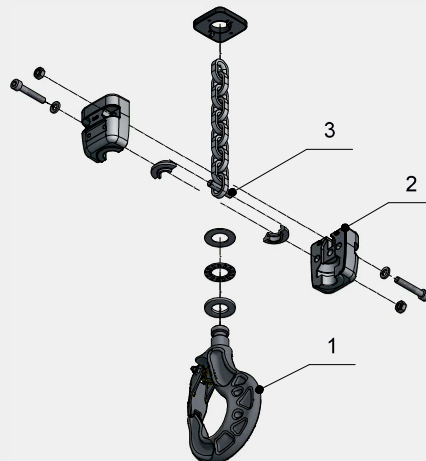
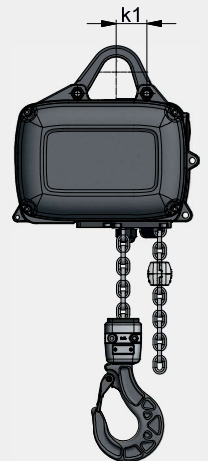


Figure 2-12



2 falls operation:

Attach load hook (1) to the double fall hook clamp (2) according to figure 2-13. Connect the load side of the chain end to the chain retainer (3) and fix it to the guide rail on the housing. Secure the chain retainer with the screw (4) and the spring washer (5).



- Note correct arrangement of suspension (measurement k2, see figure 2-14):
GP 250/500 = 52 mm, GP 1000 = 62 mm.
- No longitudinal twisting of the chain (see figure 2-15).
- Grease the bearings thoroughly (chain wheel, load hook).

Figure 2-13

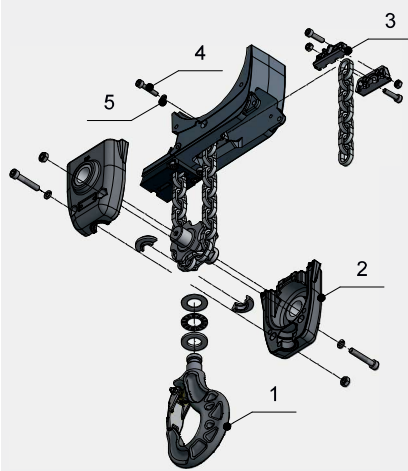


Figure 2-14

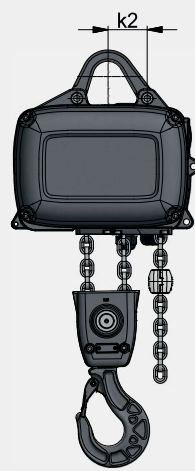
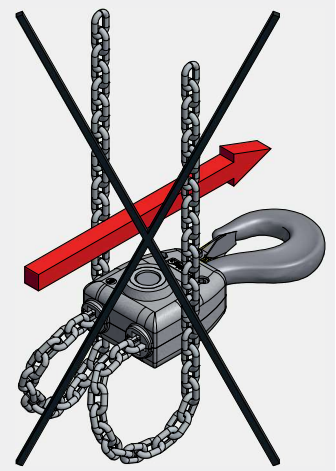


Figure 2-15



2.2.3 Limit switch

The electric chain hoist is equipped with a geared limit switch as standard. This is also suitable for normal limit switch operation with a high degree of accuracy. The operation of the limit switches (highest and lowest hook position) must be checked during start-up. Three different transmission gearings are available that are adapted to the lift:

GP 250/500			
Transmission	Colour	1 fall lift [m]	2 falls lift [m]
i = 1:1	black	20	10
i = 1:3	yellow	60	30
i = 1:6	blue	126	63

GP 1000			
Transmission	Colour	1 fall lift [m]	2 falls lift [m]
i = 1:1	black	30	15
i = 1:3	yellow	90	45
i = 1:6	blue	192	96

Description of settings (see figure 2-16):

- Before pulling in the chain or changing the chain, the geared limit switch must be set mechanically inactive by pressing the rocker (1).
- Pulling the chain in.
- Travel to the hook's highest position, turn the red control wheel (2, rear) to the cam of the limit switch above (3) turn (lower hook position clockwise, higher hook position anti-clockwise).
- Enable rocker switch (1) (must engage in control wheel).
- Bring the hook to its lowest position, press the rocker switch (1) and turn the green control wheel (4, front) to the cam of the limit switch below (5) (lower hook position clockwise, higher hook position anti-clockwise).
- Enable rocker switch (1) (must engage in control wheel).



Check the limit switching function: The limit stop and the hook fittings may not contact the housing.

2.2.4 Chain container

- Travel the chain out at load side until the limit stop is activated.
- Attach the free end of chain to housing (see chapter 2.2.2).
- Attach the chain container and allow chain to run in: Plastic containers (see figure 2-17) or textile chain containers (see figure 2-18).

Figure 2-16

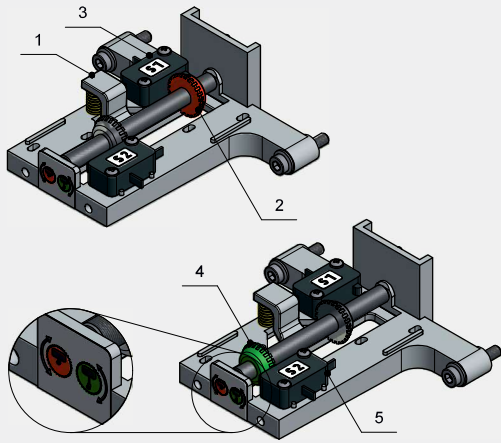
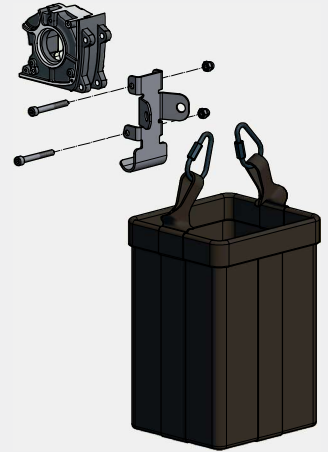


Figure 2-17



Figure 2-18



3 Care and maintenance

3.1 General guidelines for maintenance and servicing

Operating failures in electric chain hoists affecting the safe operation of the device should be remedied immediately.



Maintenance and repair work on the electric chain hoist may only be carried out by competent and trained personnel.



If the operator performs maintenance work on an electric chain hoist on his own, the type of maintenance performed together with the date carried out must be entered in the inspection pass.

Alterations to, as well as modifications and supplements to electric chain hoists, which may affect safety, must be authorised by the manufacturer in advance. Structural alterations to chain hoists not authorised by the manufacturer exempt the manufacturer from liability in case of damage. Material warranty claims will only be recognised as valid if exclusively original manufacturer's spare parts are used. We explicitly advise that original parts and accessories not delivered by us are also not checked and released by us.

General:

Service and maintenance are preventive measures designed to preserve the full functionality of electric chain hoists. Non-compliance with service and maintenance routines can result in limited use and damage to electric chain hoists.

Service and maintenance should be carried out according to the instruction manual at predefined time intervals (table 3-1 and 3-2). During service and maintenance work, general accident prevention directions, special safety directions (chapter 0.3) as well as hazard protection instructions (chapter 0.4) should be followed.



Service and maintenance work should only be performed on unloaded electric chain hoists. The power switch must be off. The hook fittings must lie on the ground or on the maintenance platform.

Service work encompasses visual checks and cleaning routines. Maintenance work includes additional functional checks. During the functional checks, all fixing elements and cable clamps must be checked for tightness. Cables must be inspected for dirt, discolouration and arc spots.



Used operating materials (oil, grease, etc.) should be safely collected and disposed of in an environmentally friendly manner.

Service and maintenance intervals are defined as follows:

d (daily), 3 M (quarterly), 12 M (annually)

The predefined service and maintenance intervals should be reduced when the loading of the electric chain hoist is exceptionally large and when frequently operated in adverse conditions (e.g. dust, heat, humidity, steam, etc.).

3.2 Care and maintenance

3.2.1 Care overview

Table 3-1 Maintenance overview

Term	d	3 M	12 M	Activity	Notes
1. Load chain	x			visual check clean and lubricate as needed	see chapter 2.2.2
2. Lifting device and suspension	x			check for abnormal noise / sealing	
3. Electric power supply cable	x			visual check	
4. Limit switch	x			function check	see chapter 2.2.3
5. Sealing		x		visual check	
6. Strain relief control cable	x			visual check	

3.2.2 Maintenance overview

Table 3-2 Maintenance overview

Term	d	3 M	12 M	Activity	Notes
1. Load chain		x	x	lubricate measure wear	see chapter 2.2.2 / 3.2.4
2. Braking system	x		x	function check with load	see chapter 3.2.3
3. Electrical equipment			x	function check	
4. Fixing screws on suspension parts and load hook with accessories			x x	check for cracks check screw torques	see chapter 3.2.8
5. Limit switch			x	check switching elements	see chapter 2.2.3
6. Slipping clutch			x	function check	see chapter 3.2.7
7. Tightness			x	check screw torques of the covers	see chapter 3.2.8

3.2.3 Braking system

The spring-loaded brake is an magnetic operated single disc brake with two friction surfaces. The braking force is applied by springs. The braking torque is generated when no current is applied. The ventilation is solenoid. The brake operates with DC current. The brake must be able to hold the nominal load in power free mode without any problems.



The brake coil voltage must be the same as the operating voltage.



The brake has no air gap adjustment. If the air gap (a max., table 3-3 and figure 3-1) reaches maximal value, the coating and the brake disc need to be changed.

Table 3-3 Air gap

Term		GP 250	GP 500	GP 1000
Par value air gap (a)	[mm]	0.3 (+0.1 / -0.05)	0.3 (+0.1 / -0.05)	0.3 (+0.15 / -0.05)
Air gap (a max.)	[mm]	0.7	0.7	0.9
Holding torque	[Nm]	3	6	12
Tightening torque of screws	[Nm]	3	3	6

3.2.4 Load chain

The load chain should be periodically checked for abrasion. The check is based on three measurements: See permissible wear and tear values (table 3-4) and measuring points (figure 3-2).



The chain should be replaced when the measurements exceed or decrease with those defined in the table. The chain wheel and chain guidance should be checked for wear at the same time and, where necessary, be replaced. Only use original chains. The chain links should not be welded.

The new chain is installed in accordance with chapter 2.2.2.



For ease of installation, the old chain and new chain can be connected by a piece of flexible wire.

Table 3-4 Wear factors load chain

Term		GP 250	GP 500	GP 1000	
Chain type d x t	[mm]	3.75 x 10.75	5.25 x 15	7.45 x 23	
Tolerances according to DIN 685, part 5, DIN EN 818-7					
1. Measurement over 11 chain links, a = 11t	[mm]	120.6	168.3	258.1	
2. Measurement over 1 chain link, 1t	[mm]	11.3	15.7	24.1	
3. Measurement of the chain link diameter dm = d1 + d2 / 2 (dm min. = 0.9 x d)	[mm]	3.4	4.7	6.7	

Figure 3-1

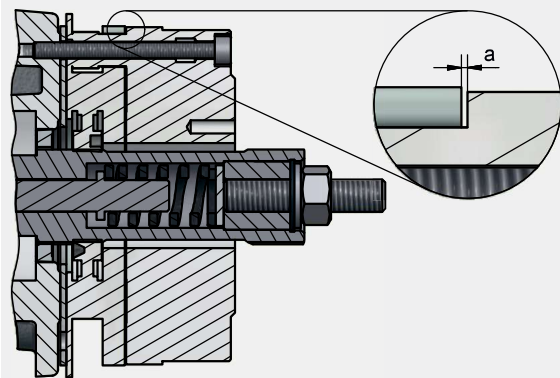
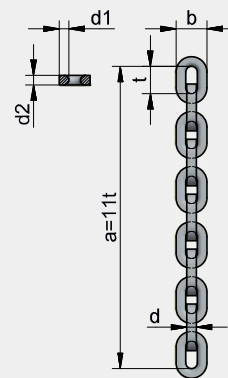


Figure 3-2



3.2.5 Limit stop

Check screw fittings at the limit stop and single fall hook clamp and tighten with the correct torque if necessary. For coefficient data see chapter 3.2.8.



A damaged stop plate, underneath the housing, must be replaced.

3.2.6 Gearing

The gear has continuous lubrication.



The housing of the gearbox may not be opened.

3.2.7 Slipping clutch

The slipping clutch is set at the works to 125% and reliably prevents overloading of the chain hoist (the power limiting factor in accordance with DIN EN 14492-2 is $\Phi_{DAL} = 1.4$). The resultant forces arising from the adjustment of the slipping clutch must be able to be absorbed by the suspension parts. The coating is wear resistant.



Adjustment and testing of the slipping clutch may only be carried out by authorised personnel and must be recorded in the inspection pass. If the nominal load is no longer lifted, or there is delay in achieving the lifting speed, the slipping clutch must be adjusted.

3.2.8 Suspension parts

All statically loaded parts are considered to be suspension parts. The bearing surfaces of the slewing suspension parts must be periodically greased. Torque values for screws of property class 8.8 according to DIN ISO 898:

M 4	M 5	M 6	M 8	M 10	M 12
3.3 Nm	6.5 Nm	10 Nm	24 Nm	48 Nm	83 Nm

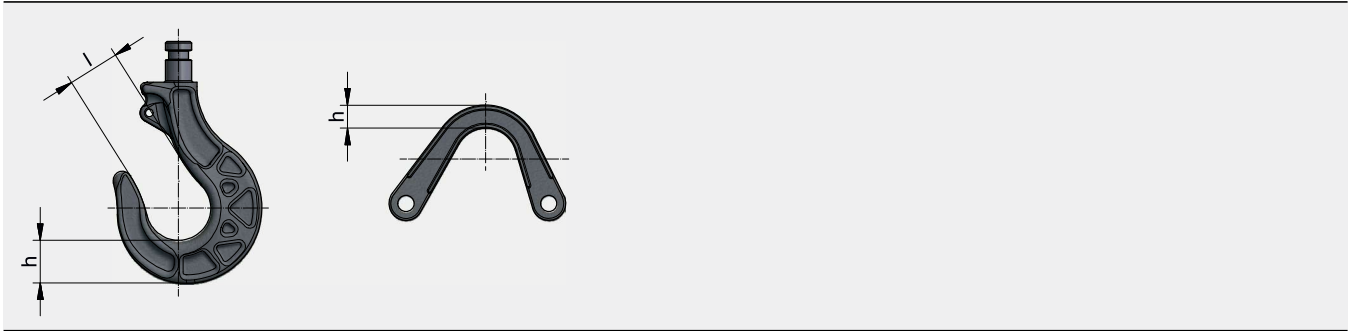


If hook or eyebolt show damage, cracks, deformation or corrosion, they must be replaced. If the prescribed dimensions (min. / max.) according to table 3-5 and figure 3-3 are not compliant, the parts must also be replaced. The hook safety catch must be fully functional and fully closed, replace if necessary.

Table 3-5 Wear values suspension parts

Suspension part		GP 250	GP 500	GP 1000	
Load hook	h [mm]	28.0	28.0	35.5	
	h min. [mm]	26.6	26.6	33.8	
Hook suspension	h [mm]	28.0	28.0	35.5	
	h min. [mm]	26.6	26.6	33.8	
Eyebolt suspension	h [mm]	15.0	15.0	20.0	
	h min. [mm]	14.3	14.3	19.0	
Hook opening	l [mm]	34.5	34.5	42.6	
	l max. [mm]	37.9	37.9	46.8	

Figure 3-3



4 Measures for achieving safe operating periods

The statutory and health requirements of the EU regulations stipulate that specific dangers which may arise from fatigue or ageing must be prevented. Accordingly, operators of series lifting device are obliged to determine the actual operating time. This determination is easiest using the calculator on our website. The actual operating time is recorded as part of the annual inspection by customer service engineers. A general overhaul must be carried out when the theoretical operating time is reached, or after no more than 10 years. All checking and the general overhaul itself must be arranged by the operator of the lifting device.

The following theoretical operating time applies to electric chain hoists that are categorised according to ISO 4301-1 (converted into full-load hours):

M3	M4	M5	M6	M7	M8
400 h	800 h	1600 h	3200 h	6300 h	12500 h

4.1 Determining the actual operating time

The actual operating time depends on the daily operating hours and the load collective. Operating hours is determined from information provided by the operator or recorded using a meter that counts the number of operating hours. The load collective is determined in accordance with table 1-1, page 10. With these both values, the annual operating time can be found in table 4-1. If an operating data acquisition system (BDE) is used, the actual operating time can be read out directly by our experts during the annual inspection.



The values periodically calculated or read-off are to be recorded in the inspection pass.

Example:

An electric chain hoist with M4 classification is used with the load type <3 heavy> ($k = 0.80$, see table 1-1). The daily operating time per working day is 0.5 - 1 hour. According to table 4-1, this results in an annual operating time of 96 full load hours. With a theoretical operating time of 800 hours a period of 8.3 years is thus created. After this period of time a general overhaul must be carried out, during which the further operating time is determined.

Table 4-1 Annual operating time

Use per day [h]	<= 0.25 (0.16)	<= 0.50 (0.32)	<= 1.0 (0.64)	<= 2.0 (1.28)	<= 4.0 (2.56)	<= 8.0 (5.12)	<= 16.0 (10.24)	> 16.0 (20.48)
Load collective	Annual operating time in full load hours [h]							
k = 0.50	6	12	24	48	96	192	384	768
k = 0.63	12	24	48	96	192	384	768	1536
k = 0.80	24	48	96	192	384	768	1536	3072
k = 1.00	48	96	192	384	768	1536	3072	6144

4.2 General overhaul

On reaching the theoretical operating time (no later than 10 years for recording without BDE), a general overhaul should be performed. This enables the equipment to continue operating safely for a further period of time. Components must be checked or replaced in accordance with table 4-2. The checking and release for the further use must be done by a specialist company authorised by the manufacturer or by the manufacturer himself.

The inspector determines:

- What new theoretical operating time is possible.
- The max. period until the next general overhaul.

This data should be recorded in the inspection pass.

Table 4-2 General overhaul

Components of GP models, all types	Check for wear *	Replace
Brake	x	
Motor shaft	x	
Gear teeth		x
Antifriction bearing		x
Sealings		x
Chain	x **	
Chain wheel, chain guidance	x	
Suspension	x	
Load hook		x
Trolley, load wheel	x	
Contacteur, limit switch	x	

* replace if worn

** replace at the latest in general overhaul

4.3 Disposal

If no use of the device is possible anymore, it must be disposed environmentally safe. Lubricants, such as oils and greases, must be disposed in accordance to the applicable waste law. Metals and plastics are to be recycled.

5 Appendix

5.1 Technical data

Table 5-1 Technical data GP (three-phase version)

ISO (FEM) classification	M3 (1Bm) 150 s/h 25% duty	M4 (1Am) 180 s/h 30% duty	M5 (2m) 240 s/h 40% duty	M6 (3m) 300 s/h 50% duty	M7 (4m) 360 s/h 60% duty	M7 (4m) 360 s/h 60% duty	Lifting speed 50 Hz	Lifting speed 60 Hz	Motor type	No. of chain falls	Dead weight 3 m lift	Mains fuse (400 V, delayed)
Types	Capacity [kg]						[m/min]	[m/min]			[kg]	[A]
GP 250/1NF	400	320	250	200	160	125	8/2	9.6/2.4	80 B 8/2	1	24	6
GP 250/1SF	-	160	125	100	-	-	16/4	19.2/4.8	80 B 8/2	1	24	6
GP 250/1NL	400	320	250	200	160	125	4	4.8	80 A 4	1	24	6
GP 250/1N	400	320	250	200	160	125	8	9.6	80 B 2	1	24	6
GP 250/2NF	-	630	500	400	320	250	4/1	4.8/1.2	80 B 8/2	2	25	6
GP 250/2NL	-	630	500	400	320	250	2	2.4	80 A 4	2	25	6
GP 250/2N	-	630	500	400	320	250	4	4.8	80 B 2	2	25	6
GP 500/1NF	800	630	500	400	320	250	8/2	9.6/2.4	80 B 8/2	1	26	6
GP 500/1SF	-	320	250	200	160	125	16/4	19.2/4.8	80 B 8/2	1	26	6
GP 500/1NL	800	630	500	400	320	250	4	4.8	80 A 4	1	26	6
GP 500/1N	800	630	500	400	320	250	8	9.6	80 B 2	1	26	6
GP 500/2NF	-	1250	1000	800	630	500	4/1	4.8/1.2	80 B 8/2	2	28	6
GP 500/2NL	-	1250	1000	800	630	500	2	2.4	80 A 4	2	28	6
GP 500/2N	-	1250	1000	800	630	500	4	4.8	80 B 2	2	28	6
GP 1000/1NF	1600	1250	1000	800	630	500	8/2	9.6/2.4	100 B 8/2	1	62	10
GP 1000/1SF	-	630	500	400	-	-	16/4	19.2/4.8	100 B 8/2	1	62	10
GP 1000/1NL	1600	1250	1000	800	630	500	4	4.8	90 B 4	1	62	10
GP 1000/1N	1600	1250	1000	800	630	500	8	9.6	100 B 2	1	62	10
GP 1000/2NF	-	2500	2000	1600	1250	1000	4/1	4.8/1.2	100 B 8/2	2	66	10
GP 1000/2NL	-	2500	2000	1600	1250	1000	2	2.4	90 B 4	2	66	10
GP 1000/2N	-	2500	2000	1600	1250	1000	4	4.8	100 B 2	2	66	10

Table 5-2 Technical data GP (single-phase version)

ISO (FEM) classification	M3 (1Bm) 150 s/h 25% duty	M4 (1Am) 180 s/h 30% duty	M5 (2m) 240 s/h 40% duty	M5 (2m) 240 s/h 40% duty	M5 (2m) 240 s/h 40% duty	M5 (2m) 240 s/h 40% duty	Lifting speed 50 Hz	Lifting speed 60 Hz	Motor type	No. of chain falls	Dead weight 3 m lift	Mains fuse (230 V, delayed)
Types	Capacity [kg]						[m/min]	[m/min]			[kg]	[A]
GP 250/1NL 1Ph	-	-	250	200	160	125	4	4.8	80 A 4	1	24	10
GP 250/1N 1Ph	-	-	250	200	160	125	8	9.6	80 A 4	1	24	10
GP 250/2NL 1Ph	-	-	500	400	320	250	2	2.4	80 A 4	2	25	10
GP 250/2N 1Ph	-	-	500	400	320	250	4	4.8	80 A 4	2	25	10
GP 500/1NL 1Ph	-	-	500	400	320	250	4	4.8	80 A 4	1	26	10
GP 500/1N 1Ph	-	-	250	200	160	125	8	9.6	80 A 4	1	26	10
GP 500/2NL 1Ph	-	-	1000	800	630	500	2	2.4	80 A 4	2	28	10
GP 500/2N 1Ph	-	-	500	400	320	250	4	4.8	80 A 4	2	28	10

5.2 Electrical parameters

Table 5-3 Electrical parameters GP (three-phase version)

Types	Motor type	No. of poles	P _N [kW]	n _N [1/min]	min. / max. currents and start-up current									
					3 x 400 V, 50 Hz					3 x 230 V, 50 Hz				
					I _{N 380} [A]	I _{N 415} [A]	I _{max} [A]	I _A /I _{N 415}	cos phi _N	I _{N 220} [A]	I _{N 240} [A]	I _{max} [A]	I _A /I _{N 240}	cos phi _N
GP 250/500	80 B 8/2	8	0.18	665	1.4	1.9	2.2	1.45	0.51	2.4	3.1	3.5	1.45	0.51
		2	0.72	2745	2.4	3.4	3.7	2.75	0.77	3.2	4.3	4.7	2.75	0.77
GP 250/500	80 A 4	4	0.55	1420	1.3	1.9	2.2	1.65	0.68	2.6	3.2	4.1	1.65	0.68
GP 250/500	80 B 2	2	0.72	2745	3.2	3.4	3.7	2.75	0.77	5.6	5.9	6.2	2.75	0.77
GP 1000	100 B 8/2	8	0.57	675	3.8	4.3	5.1	1.45	0.58	7.1	7.4	9.0	1.45	0.58
		2	2.3	2790	5.3	6.2	7.8	2.75	0.77	8.2	9.3	10.7	2.75	0.77
GP 1000	90 B 4	4	1.5	1430	3.4	3.8	4.2	1.65	0.76	6.1	6.5	7.4	1.65	0.76
GP 1000	100 B 2	2	2.3	2790	6.2	7.3	8.6	2.75	0.77	10.4	13.2	15.8	2.75	0.77

Table 5-4 Electrical parameters GP (three-phase version)

Types	Motor type	No. of poles	P _N [kW]	n _N [1/min]	min. / max. currents and start-up current									
					3 x 460 V, 60 Hz									
					I _{N 460} [A]	I _{N 480} [A]	I _{max} [A]	I _A /I _{N 480}	cos phi _N					
GP 250/500	80 B 8/2	8	0.22	815	1.2	1.5	1.9	1.45	0.50					
		2	0.86	3345	2.3	2.8	3.2	2.75	0.76					
GP 250/500	80 A 4	4	0.66	1720	1.4	1.5	2.0	1.65	0.67					
GP 250/500	80 B 2	2	0.86	3345	3.2	3.4	3.7	2.75	0.76					
GP 1000	100 B 8/2	8	0.68	825	3.8	4.1	4.7	1.45	0.57					
		2	2.8	3390	5.3	5.8	7.3	2.75	0.76					
GP 1000	90 B 4	4	1.8	1730	3.4	3.8	4.2	1.65	0.75					
GP 1000	100 B 2	2	2.8	3390	6.2	6.5	8.1	2.75	0.76					

Table 5-5 Electrical parameters GP (three-phase version)

Types	Motor type	No. of poles	P _N [kW]	n _N [1/min]	min. / max. currents and start-up current									
					3 x 230 V, 60 Hz					3 x 575 V, 60 Hz				
					I _{N 220} [A]	I _{N 240} [A]	I _{max} [A]	I _A /I _{N 240}	cos phi _N	I _{N 575} [A]		I _{max} [A]	I _A /I _{N 575}	cos phi _N
GP 250/500	80 B 8/2	8	0.22	815	3.1	3.7	4.0	1.45	0.50	1.1		1.3	1.35	0.54
		2	0.86	3345	3.8	5.3	5.6	2.75	0.76	1.7		2.0	3.5	0.88
GP 250/500	80 A 4	4	0.66	1720	3.7	3.9	4.7	1.65	0.67	1.5		2.0	1.65	0.67
GP 250/500	80 B 2	2	0.86	3345	5.4	6.0	6.7	2.75	0.76	1.9		2.3	3.5	0.88
GP 1000	100 B 8/2	8	0.68	825	8.5	9.3	11.2	1.45	0.57	2.9		3.5	1.65	0.62
		2	2.8	3390	13.0	13.8	16.7	2.75	0.76	4.7		5.3	3.5	0.83
GP 1000	90 B 4	4	1.8	1730	7.7	8.9	9.7	1.65	0.75	3.1		3.5	1.65	0.75
GP 1000	100 B 2	2	2.8	3390	12.4	15.6	16.3	2.75	0.76	5.2		5.8	2.75	0.83

Table 5-6 Electrical parameters GP (single-phase version)

Types	Motor type	No. of poles	P _N [kW]	n _N [1/min]	min. / max. currents and start-up current									
					1 x 115 V, 50 Hz					1 x 230 V, 50 Hz				
					I _{N 115} [A]	I _{max.} [A]	I _A /I _{N 115}	cos phi _N	I _{N 230} [A]	I _{max.} [A]	I _A /I _{N 230}	cos phi _N		
GP 250/500	80 A 4	4	0.55	1420	10.6	11.4	1.95	0.68	4.5	4.9	2.45	0.68		

Table 5-7 Electrical parameters GP (single-phase version)

Types	Motor type	No. of poles	P _N [kW]	n _N [1/min]	min. / max. currents and start-up current									
					1 x 115 V, 60 Hz					1 x 230 V, 60 Hz				
					I _{N 115} [A]	I _{max.} [A]	I _A /I _{N 115}	cos phi _N	I _{N 230} [A]	I _{max.} [A]	I _A /I _{N 230}	cos phi _N		
GP 250/500	80 A 4	4	0.66	1720	16.0	17.3	1.95	0.67	7.3	8.0	2.45	0.67		

5.3 EC Declaration of conformity

Declaration for a machinery according to the EU directives 2006/42/EC, Annex II A, 2014/30/EU, Annex I and 2014/35/EU, Annex III



Hereby we,

GIS AG, Swiss Lifting Solutions, Luzernerstrasse 50, CH-6247 Schötz

declare that the machinery

**GIS electric chain hoist, series
with a load capacity of
serial number range**

**GP
100 kg to 2500 kg
1000001 to 2000000**

developed for lifting and lowering loads, is, in standard production and from the 2016 model year, inclusive of load control, meets the essential requirements of the following EC directives, as applicable to the scope of the delivery:

EC Machinery Directive	2006/42/EC
EC Directive on Electromagnetic Compatibility	2014/30/EU
EC Low Voltage Directive	2014/35/EU

Harmonized standards applied:

ISO 2374	Lifting appliances; Range of maximum capacities for basic models
DIN EN 818-7	Short link chain for lifting purposes; Part 7: Grade T
DIN EN ISO 13849-1	Safety-related parts of control systems; Part 1: General principles for design
DIN EN 14492-2	Cranes, power driven winches and hoists; Part 2: Power driven hoists
DIN EN 60204-32	Electrical equipment of machines; Part 32: Requirements for hoisting machines

Standards and technical specifications applied:

FEM 9.751	Power driven lifting device series; safety
FEM 9.755	Measure for achieving safe working periods

Authorized to compile relevant technical documentation:
GIS AG, Luzernerstrasse 50, CH-6247 Schötz

Schötz, 01.01.2017

GIS AG

I. Muri
Director

E. Widmer
Sales manager

The completion, installation and start-up as per instruction manual is documented in the inspection pass.

5.4 EC Declaration of incorporation

Declaration for the incorporation of a partly completed machinery according to the EU directives 2006/42/EC, Annex II B, 2014/30/EU, Annex I and 2014/35/EU, Annex III



Hereby we,

GIS AG, Swiss Lifting Solutions, Luzernerstrasse 50, CH-6247 Schötz

declare that the partly completed machinery

**GIS electric chain hoist, series
with a load capacity of
serial number range**

**GP
100 kg to 2500 kg
1000001 to 2000000**

developed for lifting and lowering loads, is, in standard production and from the 2016 model year, inclusive of load control, intended for installation in machinery and meets the essential requirements of the following EC directives, as applicable to the scope of the delivery:

EC Machinery Directive	2006/42/EC
EC Directive on Electromagnetic Compatibility	2014/30/EU
EC Low Voltage Directive	2014/35/EU

We also declare that the technical documentation has been compiled in accordance with Annex VII, Part B of Directive 2006/42/EC. We undertake to submit the specific documents relating to the lifting device to national authorities on receipt of a reasonable request. The information will be supplied by electronic means.

Harmonized standards applied:

ISO 2374	Lifting appliances; Range of maximum capacities for basic models
DIN EN 818-7	Short link chain for lifting purposes; Part 7: Grade T
DIN EN ISO 13849-1	Safety-related parts of control systems; Part 1: General principles for design
DIN EN 14492-2	Cranes, power driven winches and hoists; Part 2: Power driven hoists
DIN EN 60204-32	Electrical equipment of machines; Part 32: Requirements for hoisting machines

Standards and technical specifications applied:

FEM 9.751	Power driven lifting device series; safety
FEM 9.755	Measure for achieving safe working periods

This declaration only refers to the lifting device. A start-up is prohibited until it has been proven that the entire system where the lifting device is built in corresponds with the above EC Directives.

Authorized to compile relevant technical documentation:
GIS AG, Luzernerstrasse 50, CH-6247 Schötz

Schötz, 01.01.2017

GIS AG

I. Muri
Director

E. Widmer
Sales Manager

The completion, installation and start-up as per instruction manual is documented in the inspection pass.

TAWI

Smart lifting



Headquarters Sweden:

TAWI AB
Box 102 05
434 23 Kungsbacka
Tel: +46 300 -185 00
info@tawi.com

Denmark:

TAWI DANMARK A/S
Arresøvej 7
DK-8240 Risskov
Tel: +45 86 17 22 66
mail@tawidanmark.dk

Germany:

TAWI GmbH
August-Thyssen-Str. 1
D-41564 Kaarst
Tel: +49 211 20542740
info@tawi.de

Netherlands:

TAWI BV
Postbus 6092
5700 ET Helmond
Houtse Parallelweg 34-35
5706 AB HELMOND
Tel: +31 492-523705
info@tawi.nl

France:

TAWI Levalair
18 Rue Denis Papin
FR 95250 BEAUCHAMP
Tel: +33 (0) 1 39 95 65 00
info@levalair.fr

United Kingdom:

TAWI UK Ltd
Unit G, Pentagon Park,
io Centre, Lodge Farm
Northampton, NN57UW
Tel:+44 1604 591120
sales@tawi.co.uk

USA:

TAWI USA
380 Internationale Drive
Suite A
Bolingbrook, IL 60440
Tel: +1 630-655-2905
sales@tawi.us

Canada:

TAWI Canada Inc.
120 Newkirk Rd., Unit 7
Richmond Hill ON L4C 9S7
Tel: +1 905 884 1633
info@tawi.ca