

WHEELCHAIR
ROLLSTUHL
FAUTEUIL ROULANT
CARROZZINA
ROLSTOEL
SILLA DE RUEDAS
CADEIRA DE RODAS
RULLSTOL
RULLESTOL
KØRESTOLEN

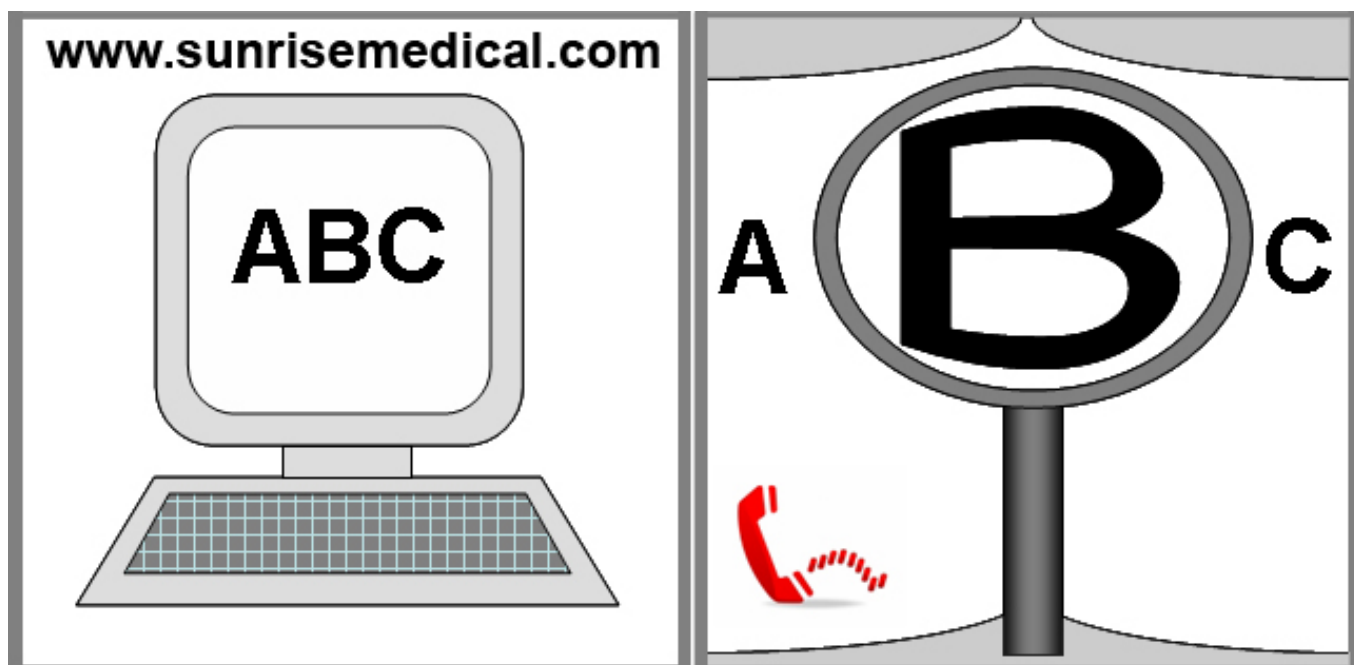


Simba

DIRECTION FOR USE
GEBRAUCHSANWEISUNG
MANUALE D'USO
NOTICE D'UTILISATION
GEBUIKERSHANDLEIDING
INSTRUCCIONES DE USO
INSTRUÇÕES PARA UTILIZAÇÃO
BRUKERVEILEDNING
BRUKSANVISNING
BRUGERVEJLEDNING


zippie®

000690674.01



IF YOU ARE VISUALLY IMPAIRED, THIS DOCUMENT CAN BE VIEWED IN PDF FORMAT AT WWW.SUNRISEMEDICAL.CO.UK.

FÜR SEHBEHINDERTE PERSONEN STEHT DIESES DOKUMENT IM PDF-FORMAT AUF WWW.SUNRISEMEDICAL.DE

SI VOUS SOUFFREZ DE DÉFICIENCE VISUELLE, CE DOCUMENT PEUT ÊTRE CONSULTÉ EN FORMAT PDF SUR WWW.SUNRISEMEDICAL.FR

QUESTO DOCUMENTO È PRESENTE IN FORMATO PDF PER GLI IPOVEDENTI SUL SITO WWW.SUNRISEMEDICAL.IT

ALS U VISUEEL GEHANDICAPT BENT KAN DIT DOCUMENT OOK WORDEN GELEZEN IN PDF-FORMAAT OP WWW.SUNRISEMEDICAL.NL

SI TIENE DIFICULTADES VISUALES, PUEDE ENCONTRAR ESTE DOCUMENTO EN FORMATO PDF VISITANDO WWW.SUNRISEMEDICAL.ES

SE TIVER PROBLEMAS VISUAIS, ESTE DOCUMENTO PODE SER VISUALIZADO EM FORMATO PDF NA WWW.SUNRISEMEDICAL.PT

OM DU ÄR SYNSKADAD KAN DETTA DOKUMENT VISAS I PDF-FORMAT PÅ WWW.SUNRISEMEDICAL.SE

HVIS DU HAR REDUSERT SYN KAN DU SE DENNE INFORMASJON I PDF-FORMAT PÅ VÅR NETTSIDE WWW.SUNRISEMEDICAL.NO

HVIS DU HAR NEDSAT SYN, KAN DETTE DOKUMENT SES I PDF-FORMAT PÅ WWW.SUNRISEMEDICAL.DK

Wheelchair Components

EN 

We at SUNRISE MEDICAL have been awarded the ISO-9001 certificate, which affirms the quality of our products at every stage, from R & D to production. This products meet the requirements in accordance with EC guidelines. Options or accessories shown are available at extra cost.

Rollstuhlkomponenten

DE 

SUNRISE MEDICAL ist nach ISO 9001 zertifiziert und garantiert damit die Qualität unserer Produkte bei allen Entwicklungs- und Produktionsstufen dieses Rollstuhls. Dieses Produkt erfüllt die Anforderungen gemäß der EU-Richtlinien. Hier abgebildete Optionen oder Zubehörteile sind gegen Aufpreis erhältlich.

Description du fauteuil

FR 

SUNRISE MEDICAL est certifié ISO -9001, une norme qui garantit la qualité des produits à toutes les étapes, de la conception à la production, en passant par la recherche et le développement. Ce produit est conforme aux directives de la Communauté européenne. Les options ou accessoires illustrés sont disponibles moyennant un coût supplémentaire.

Componenti della carrozzina

IT 

SUNRISE MEDICAL è certificata ISO 9001 a garanzia della qualità di tutti i suoi prodotti in ogni fase del processo, dalla ricerca e sviluppo sino alla produzione. Questo prodotto è conforme ai requisiti delle linee guida CE. Gli optional e gli accessori sono disponibili pagando un sovrapprezzo.

Rolstoelonderdelen

NL 

SUNRISE MEDICAL heeft het ISO 9001 certificaat toegekend gekregen, een bewijs van de kwaliteit van onze processen in elk stadium, vanaf het onderzoek en de ontwikkeling tot de productie.


Deze producten voldoen aan de vereisten in overeenstemming met Europese richtlijnen. Getoonde opties en accessoires zijn tegen betaling verkrijgbaar.

Componentes de la silla

ES 

SUNRISE MEDICAL ha obtenido el certificado de calidad ISO 9001, el cual confirma la calidad de sus productos en todo momento, desde el inicio del proceso de desarrollo del producto, hasta su posterior producción. Este producto cumple con los requisitos marcados por la CE. Los accesorios y equipamiento opcionales se encuentran disponibles con un coste adicional.

Componentes da Cadeira de Rodas

PT 

A SUNRISE MEDICAL, obteve o Certificado ISO 9001, que confirma a qualidade dos nossos produtos em todas as fases desde a pesquisa e desenvolvimento até ao fabrico. Estes produtos satisfazem os requisitos de acordo com as directrizes da CE. As opções e acessórios estão disponíveis sem custo extra.

Rullstolens delar

SV 

SUNRISE MEDICAL innehar ett ISO 9001-certifikat, vilket säkerställer våra produkters kvalitet i varje led från FoU till produktion. Dessa produkter uppfyller kraven i enlighet med EU:s riktlinjer. Tillval eller tillbehör finns tillgängliga till extra kostnad.

Deler på rullestolen

NO 

SUNRISE MEDICAL er ISO 9001-akkreditert, noe som garanterer kvalitet innen alle områder av konstruksjon og produksjon av denne rullestolen. Denna produkt overholder kravene i retningslinjene fra EU. Vist utstyr og tilbehør kan fås direkte på stol eller etterbestilles.

Kørestolskomponenter

DK 

SUNRISE MEDICAL er godkendt i henhold til ISO-9001, som bekræfter kvaliteten af vores produkter på alle stadier, lige fra udvikling til produktion. Dette produkt opfylder kravene i overensstemmelse med retningslinjerne fra EU. Det viste ekstraudstyr eller tilbehør kan købes mod tillægspris.



9



Wheelchairs:

1. Push handles
2. Backrest upholstery
3. Sideguard
4. Seat sling
5. Footrest
6. Castors
7. Footboard
8. Fork
9. Quick-release axle
10. Wheel locks
11. Handrim
12. Rear wheel



30



Rollstühle:

1. Schiebegriffe
2. Rückenbespannung
3. Seitenteil
4. Sitzbespannung
5. Fußraste
6. Lenkräder
7. Fußbrett
8. Gabel
9. Steckachse
10. Feststellbremsen
11. Greifring
12. Antriebsrad



51



Fauteuils roulants :

1. Poignées de poussée
2. Toile de dossier
3. Protège-vêtement
4. Toile d'assise
5. Repose-pieds
6. Roues avant
7. Palette
8. Fourche
9. Axe à déverrouillage rapide
10. Freins
11. Main courante
12. Roue arrière



72



Carrozzina:

1. Maniglie di spinta
2. Telo schienale
3. Spondina
4. Telo seduta
5. Pedana
6. Ruote anteriori
7. Appoggiapiedi
8. Forcella
9. Assi ad estrazione rapida
10. Freni
11. Corrimano
12. Ruota posteriore



93



Rolstoelonderdelen:

1. Duwhandvatten
2. Rugleuning met band
3. Zijkanten
4. Zittingbespanning
5. Voetsteun
6. Zwenkwielen
7. Balhoofden
8. Vork
9. Quick-Release assen
10. Wielvergrendelingen
11. Hoepel
12. Achterwiel



114



Sillas de ruedas:

1. Empuñaduras
2. Tapicería del respaldo
3. Protector lateral
4. Tapicería del asiento
5. Reposapiés
6. Ruedas delanteras
7. Plataforma reposapiés
8. Horquilla
9. Eje de desmontaje rápido
10. Frenos
11. Aro
12. Rueda trasera



135



Cadeiras de Rodas:

1. Manípulos de Pressão
2. Estofa do Encosto
3. Proteções Laterais
4. Correia do Assento
5. Apoio de Pés
6. Rodas Giratórias
7. Plataforma para os Pés
8. Forqueta
9. Eixos de extração rápida
10. Dispositivos de bloqueio das rodas
11. Aro da roda
12. Roda traseira



156



Rullstolar:

1. Körhandtag
2. Ryggklädsel
3. Sidoskydd
4. Hängmattesits
5. Benstöd
6. Länkhjul
7. Fotplatta
8. Gaffel
9. Snabbkopplingsaxlar
10. Bromsar
11. Drivring
12. Drivhjul



177



Rullestoler:

1. Kjørehåndtak
2. Ryggtrekk
3. Klesbeskytter
4. Sete
5. Benstøtte
6. Svinghjul
7. Fotplate
8. Gaffel
9. Hurtigkoblinger
10. Bremsar
11. Drivring
12. Drivhjul

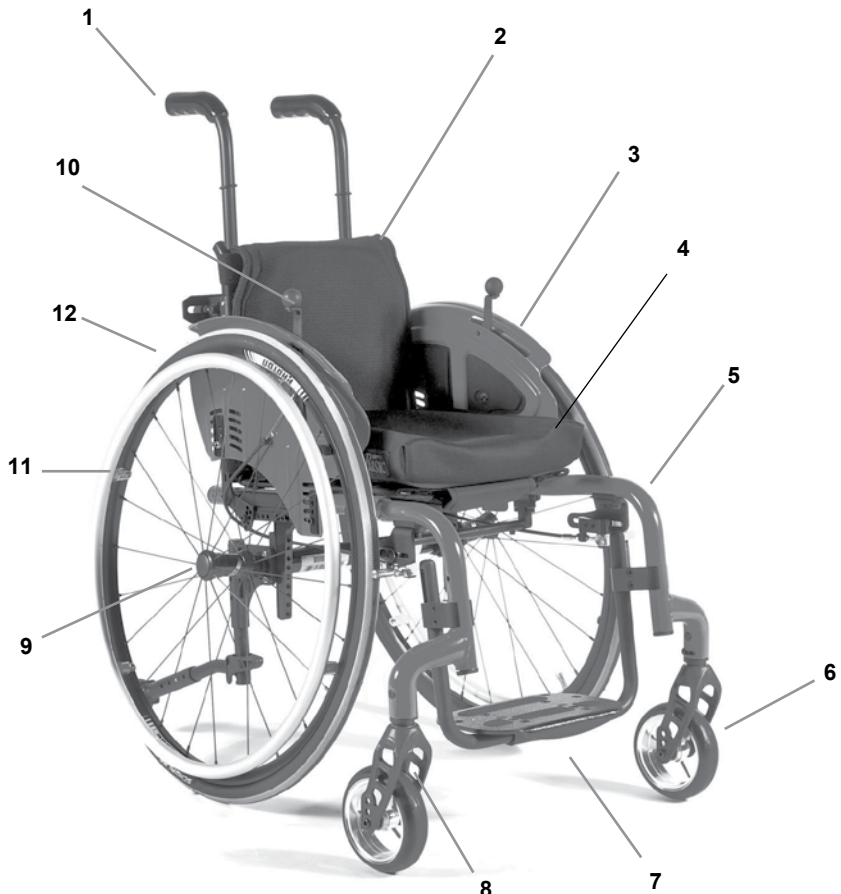


198



Kørestole:

1. Skubbehåndtag
2. Ryglænssele
3. Sidestykker
4. Sædepolstring
5. Fodstøtte
6. Svinghjul
7. Svinghjulsplader
8. Forgaffel
9. Quick-release-aksler
10. Bremsar
11. Drivring
12. Baghjul





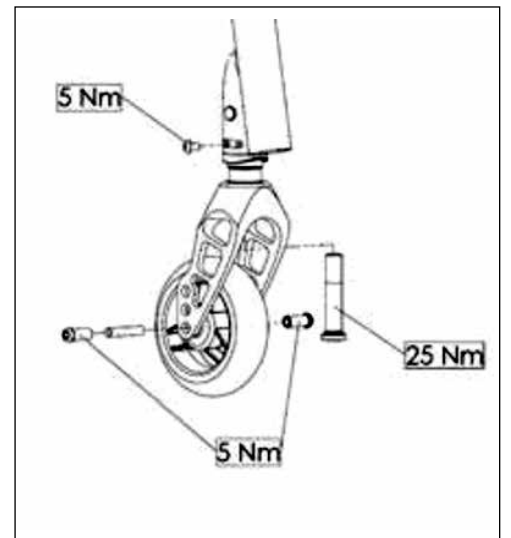
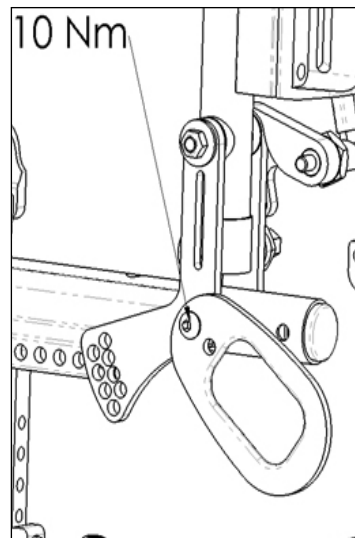
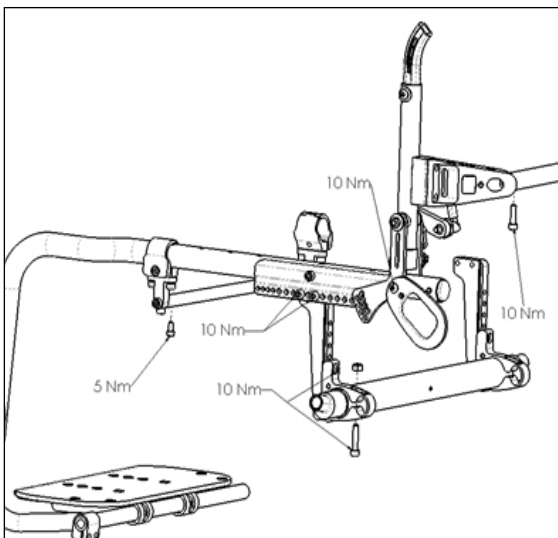
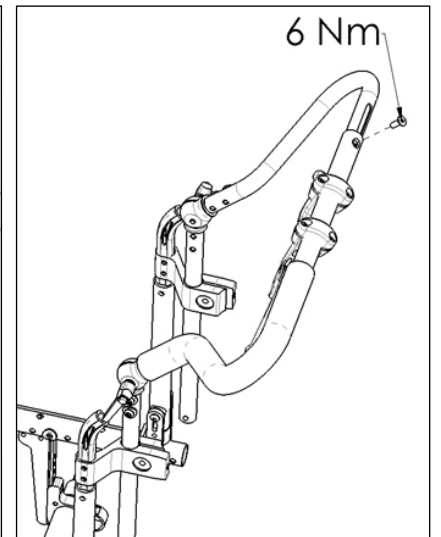
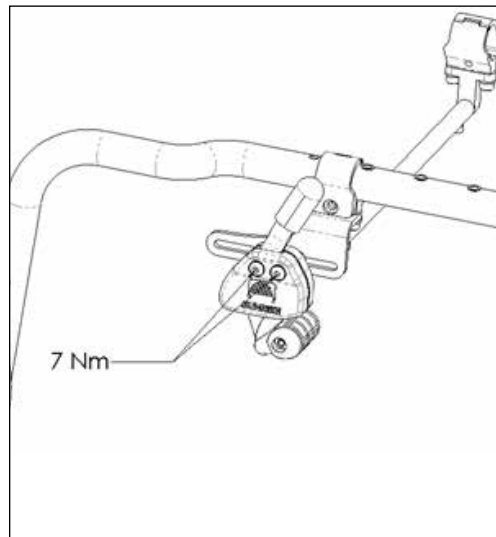
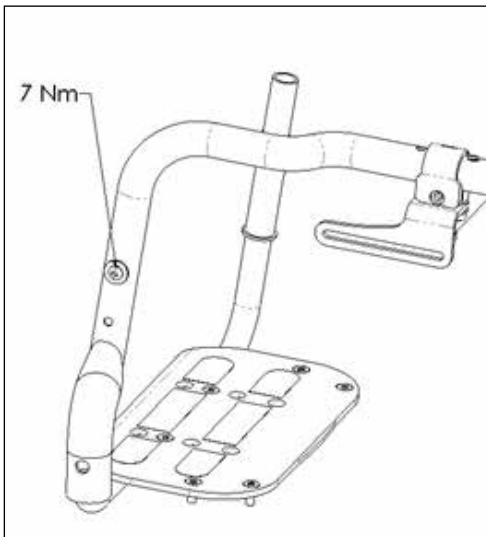
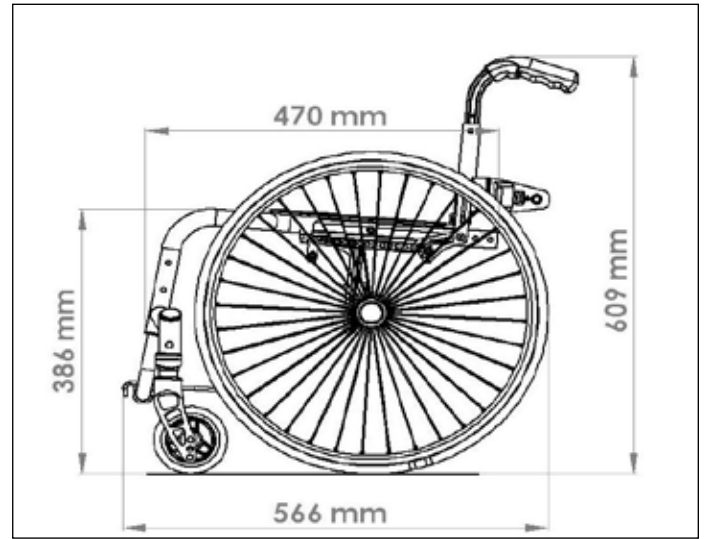
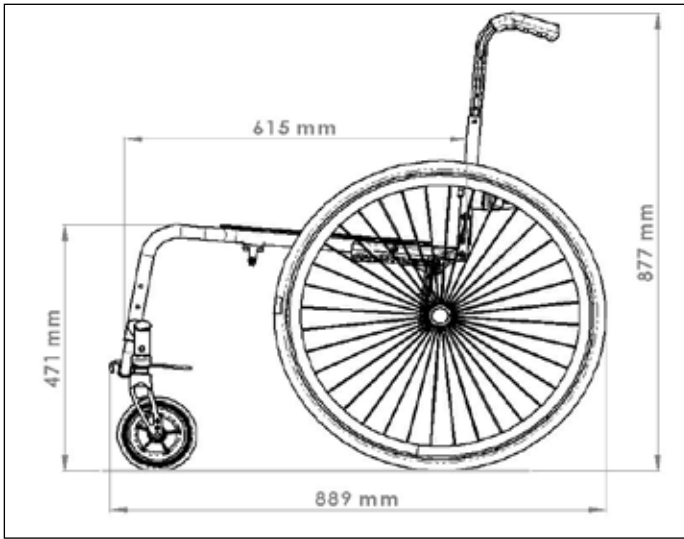
	849 ↕ 566		750 ↕ 380		1000 ↕ 620		390 ↕ 170
	480 ↕ 360		420 ↕ 240				MAX. mm ↕ MIN. mm
	400 ↕ 200		380 ↕ 220				MAX. mm ↕ MIN. mm
	650 ↕ ---		100 ↕ 20				MAX. mm ↕ MIN. mm
	10° ↕ 0°		10° ↕ 0°		10° ↕ 0°		7° ↕ 0°
	15° ↕ 0°		110° ↕ 74°		95° ↕ 95°		MAX. ↕ MIN.
	11.8 ↕ 6.9		13.9 ↕ 9.0		65 ↕ ---		MAX. kg ↕ MIN. kg



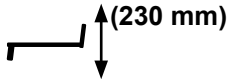
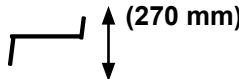






M5 = 5.0 Nm
M6 = 7.0 Nm
M8 = 1.0 Nm




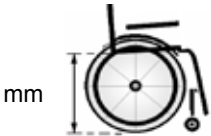
Nm



Technical Data

					
					
3"	111 mm	360	3"	111 mm	400
3"	111 mm	370	3"	111 mm	410
3"	111 mm	380	3"	111 mm	420
3"	111 mm	390	3"	111 mm	430
4"	111 mm	370	4"	111 mm	410
4"	111 mm	390	4"	111 mm	420
4"	111 mm	400	4"	111 mm	440
4"	111 mm	410	4"	111 mm	450
4"	123 mm	390	4"	123 mm	430
4"	123 mm	400	4"	123 mm	440
4"	123 mm	410	4"	123 mm	450
4"	123 mm	420	4"	123 mm	460
5"	111 mm	400	5"	111 mm	440
5"	111 mm	410	5"	111 mm	450
5"	111 mm	420	5"	111 mm	460
5"	123 mm	410	5"	123 mm	450
5"	123 mm	420	5"	123 mm	460
5"	123 mm	430	5"	123 mm	470
6"	111 mm	420	6"	111 mm	460
6"	111 mm	430	6"	111 mm	470
6"	123 mm	420	6"	123 mm	460
6"	123 mm	430	6"	123 mm	470
6"	123 mm	440	6"	123 mm	480

Technical Data

	
20" (508 mm)	290
20" (508 mm)	300
20" (508 mm)	310
20" (508 mm)	320
20" (508 mm)	330
20" (508 mm)	340
20" (508 mm)	350
20" (508 mm)	360
20" (508 mm)	370
20" (508 mm)	380
20" (508 mm)	390
20" (508 mm)	400
22" (559 mm)	330
22" (559 mm)	340
22" (559 mm)	350
22" (559 mm)	360
22" (559 mm)	370
22" (559 mm)	380
22" (559 mm)	390
22" (559 mm)	400
22" (559 mm)	410
22" (559 mm)	420
22" (559 mm)	430
24" (610 mm)	380
24" (610 mm)	390
24" (610 mm)	400
24" (610 mm)	410
24" (610 mm)	420
24" (610 mm)	430
24" (610 mm)	440
24" (610 mm)	450
24" (610 mm)	460

Foreword

Dear Customer,

We are very happy that you have decided in favour of a high-quality product from SUNRISE MEDICAL.

This owner's manual will provide numerous tips and ideas so that your new wheelchair can become a trustworthy and reliable partner in your life.

Maintaining close ties to our customers means a lot to us at Sunrise Medical. We like to keep you up-to-date about new and current developments at our company. Keeping close to our customers means: fast service, as little red tape as possible, working closely with customers. When you need replacement parts or accessories, or if you just have a question about your wheelchair – we are there for you.

We want you to be satisfied with our products and service. At Sunrise Medical we are constantly working to develop our products further. For this reason, changes can occur in our palette of products with regard to form, technology and equipment. Consequently, no claims can be construed from the data or pictures contained in this user's manual.

The management system of SUNRISE MEDICAL is certified to EN ISO 9001, ISO 13485 and ISO 14001.



As the manufacturer, SUNRISE MEDICAL, declares that the lightweight wheelchairs conform to the 93/42/EEC guideline.

Please contact your local, authorised SUNRISE MEDICAL dealer if you have any questions concerning the use, maintenance, or safety of your wheelchair.

In case there is no authorised dealer in your area, or you have any questions, contact Sunrise Medical either in writing or by telephone.

Sunrise Medical
Thorns Road
Brierley Hill
West Midlands
DY5 2LD
England
Phone:0845 605 66 88
Fax:0845 605 66 89
www.SunriseMedical.co.uk

IMPORTANT:



DO NOT USE YOUR WHEELCHAIR UNTIL THIS MANUAL HAS BEEN READ AND UNDERSTOOD.

Use

Wheelchairs are exclusively for a user who is unable to walk or has limited mobility, for their own personal use, when self-propelling and being moved by a third party (pushed by attendant) within the home and outdoors.

The maximum weight limit (includes both the user and any weight of accessories fitted to the wheelchair) is marked on the serial number label, which is affixed to the crossbar or stabiliser bar below the seat.

Warranty can only be taken on if the product is used under the specified conditions and for the intended purposes. The intended lifetime of the wheelchair is 5 years. NO NON-STANDARD PARTS are to be fitted, other than those officially approved by Sunrise Medical.

Area of Application.

The variety of options as well as the modular design means that it can be used by those who cannot walk or have limited mobility because of:

- Paralysis
- Loss of extremity (leg amputation)
- Extremity defect deformity
- Joint contractures/joint injuries
- Illnesses such as heart and circulation deficiencies, disturbance of equilibrium or cachexia as well as for elderly people who still have strength in the upper body.





When considering provision, please also note the body size, weight, physical and psychological constitution, the age of the person, living conditions and environment.

Table of Contents

1.0 General safety notes and driving limits	11
2.0 Transportability	14
3.0 Guarantee	16
4.0 Handling	17
5.0 Options	17
Step Tubes	17
Brakes	17
Footplate Adjustment	18
Castor	19
Seat	19
Wheel Alignment	20
Backrest	21
Sideguard	22
Push handle	22
Anti-tip tubes	23
Seat	23
Seat width and seat depth growth	24
Crutch Holder	24
Tyres and Mounting	24
6.0 Anterior Lateral Support (Lap belt)	25
7.0 Trouble-shooting	27
8.0 Name Plate	27
9.0 Maintenance and care	28
10.0 Technical Data	29
11.0 Disposal / Recycling of Materials	29

Definitions

3.1 Definitions of words used in this manual

Word	Definition
 DANGER!	Advice to the user of potential risk of serious injury or death if the advice is not followed
 WARNING!	Advice to the user of a risk of injury if the advice is not followed
 CAUTION!	Advice to user that potential damage to equipment may occur if the advice is not followed
NOTE:	General advice or best practice
	Reference To Additional Documentati-on

NOTE:

The wheelchairs shown and described in this user guide may not correspond in every detail exactly to your own model. However, all instructions are completely relevant, regardless of possible detail differences.

The manufacturer reserves the right to alter without notice any weights, measurements or other technical data shown in this manual. All figures, measurements and capacities shown in this manual are approximate and do not constitute specifications.

NOTE:

Please keep a note of your local service agent's address and telephone number in the space provided.

In the event of a breakdown, contact them and try to give all relevant details so they can help you quickly.

Dealer signature and stamp

1.0 General safety notes and driving limits

The engineering and construction of this wheelchair has been designed to provide maximum safety. International safety standards currently in force have either been fulfilled or exceeded in parts. Nevertheless, users may put themselves at risk by improperly using their wheelchairs. For your own safety, the following rules must be strictly observed.

Unprofessional or erroneous changes or adjustments increase the risk of accident. As a wheelchair user, you are also part of the daily traffic on streets and pavements, just like anyone else. We would like to remind you that you are therefore also subject to any and all traffic laws. Be careful during your first ride in this wheelchair. Get to know your wheelchair.

Before each use, the following should be checked:

- Quick-release axles on the rear wheels
- Velcro on seats and backrests
- Tyres, tyre pressure and wheel locks.

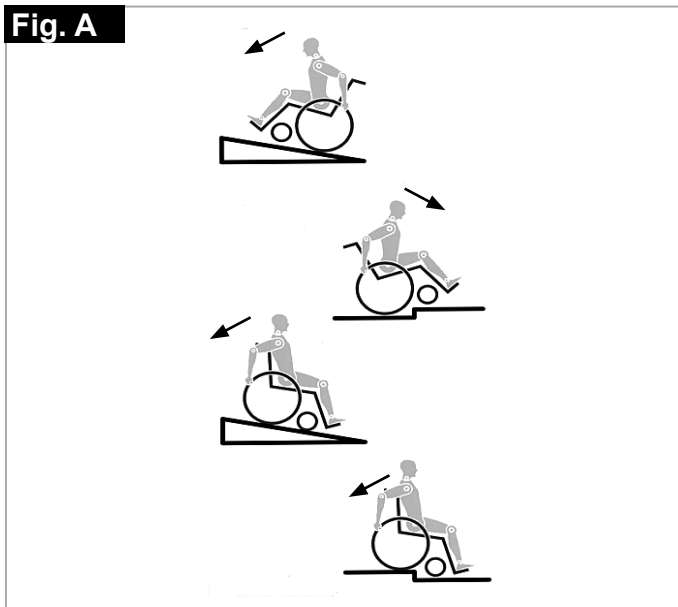


Before changing any of the adjustments of this wheelchair, it is important to read the corresponding section of the user's manual.

It is possible that potholes or uneven ground could cause this wheelchair to tip over, especially when riding uphill or downhill. When riding forwards over a step or up an incline, the body should be leaning forward.

 **DANGER!**

- NEVER exceed the maximum load of 65 kg for driver plus any items carried on the wheelchair. Please note the weight information for lighter weight options, which are quoted separately. If you exceed the maximum load, this can lead to damage to the chair, or you may fall or tip over, lose control and may lead to serious injury of the user and other people.
- To avoid falls and dangerous situations, you should first practice using your new wheelchair on level ground with good visibility.
- This wheelchair should be used exclusively to convey one person at a time. Any other use does not comply with the intended purpose.
- When getting on or off the wheelchair, do not use the footboards. These should be flipped up beforehand and swung to the outside as far as possible.
- Depending on the diameter and setting of the castors, as well as the centre of gravity setting of the wheelchair, the castors may begin to wobble at high speeds. This can lead to the castors being blocked and the wheelchair may tip over. Therefore, please make sure that the castors are adjusted correctly (see the Chapter "Castors").
- In particular, do not travel on an incline without brakes, travel at a reduced speed. At higher speeds, depending on the configuration and/or physique/physical capabilities of the user, there may be unexpected castor wobble. This can lead to injury of the user.
- Explore the effects of changing the centre of gravity on the behaviour of the wheelchair, for example on inclines, slopes, all gradients or when overcoming obstacles. Do this with the secure aid of a helper.
- We recommend that novice users use anti-tip tubes.
- Anti-tip tubes should prevent the chair tipping over backwards unintentionally. Under no circumstances should they take the place of transit wheels, and be used to transport a person in a wheelchair with the rear wheels removed.
- With extreme settings (e.g. rear wheels in the most forward position) and less than perfect posture, the wheelchair may tip over even on a level surface.
- Lean your upper body further forward when going up slopes and steps.
- Lean your upper body further back when going down slopes and steps.
- When using mobility accessories fitted to the wheelchair such as handbikes, electronic power assist, etc, make sure that your wheelchair is fitted with the appropriate castor forks, approved for this use. Please contact your dealer if you have any questions.
- Please note that in certain configurations the wheelchair may exceed a width of 700 mm. If this is the case, under certain circumstances, it may not be possible to use some or all of the available escape routes from a building. It may be more difficult or impossible to travel on public transport.





- Do not hang heavy items such as shopping bags or backpacks, on the push handles, head rest or backrest of the wheelchair.
- These can change the tipping point and there is a risk of tipping backwards.
- When reaching for objects (which are in front of, to the side or behind the wheelchair) make sure that you do not lean too far out of the wheelchair, as if you change the centre of gravity there is a risk of tipping or rolling over.
- Only use your wheelchair properly. For example, avoid travelling against an obstacle without braking (step, kerb edge) or dropping down gaps.
- Only attempt stairs with the help of an attendant. There is equipment available to help you, e.g. climbing ramps or lifts, please use them. If there is no such equipment available, then the wheelchair must be tipped and pushed, never carried, over the steps (2 helpers).
- In general, any anti-tip tubes fitted must be set beforehand, so that they cannot touch the steps, as otherwise this could lead to a serious tumble. Afterwards the anti-tip tubes must be set back to their correct position.
- Make sure that the attendant only holds the wheelchair using securely mounted parts (e.g. not on the footrests or the sideguards).
- When using the lifting ramp make sure that the anti-tip tubes fitted are positioned outside the danger area.
- Secure your wheelchair on uneven ground or when transferring (e.g. into a car) by using the wheel locks.
- For thigh amputees you must use anti-tip tubes.
- Before setting off, check that your tyre pressure is correct. For rear wheels it should be at least 3.5 bar (350 kPa). The max. pressure is indicated on the tyre.
- The knee-lever brakes will only work if there is sufficient tyre pressure and if the correct setting has been made (see the Chapter on "Wheel locks").
- The wheel locks are not intended to brake your wheelchair. They are only there to ensure that your wheelchair does not begin rolling unintentionally. When you stop on uneven ground, you should always use the wheel locks to prevent such rolling. Always apply both wheel locks; otherwise, your wheelchair could tip over.
- The wheel locks have not been designed to be used as brakes for a moving wheelchair.
- Always make use of elevators and ramps. If these are not available, you should request the help of an attendant. They should only grip the wheelchair at securely mounted parts. If anti-tip tubes are fitted these must be folded away. A wheelchair should never be lifted with an occupant; it should only be pushed.



- If the seat and back sling are damaged, you must replace them immediately.
- Do not lift or carry the wheelchair by the backtubes or the pushhandles.
- Do not fit any unauthorized electronic equipment, powered or mechanically operated mobility drives, hand-bike or any other device that changes the intended use or the structure of the wheelchair.
- Any combination with other medical devices requires the approval of Sunrise Medical.
- Be careful with fire, in particular with burning cigarettes. Seat and back slings can be set alight.
- If and whenever possible, during a journey in a specially fitted vehicle for disabled people, vehicle occupants should use the seats in the vehicle and the appropriate restraint system. This is the only way to ensure that occupants will have the maximum protection if there is an accident. When using safety elements offered by SUNRISE MEDICAL and using a specially designed safety system, lightweight wheelchairs can be used as a seat when being transported in a specially fitted vehicle. (See the Chapter on "Transportation").
- Always make sure that the quick-release axles on the rear wheels are set properly and lock in. If the button on the quick-release axle is not pressed in, the rear wheel cannot be removed.
- In particular when using lightweight metal handrims, fingers will easily become hot when braking from a high speed or on long inclines.
- If the wheelchair is subject to direct sunlight for a long period of time, then parts of the wheelchair (e.g. frame, legrests, brakes and sideguard) may become hot (>41°C).
- To avoid hand injuries do not grab in between the spokes or between the rear wheel and wheel lock when driving the wheelchair.
- When using the chair outside, always wear leather gloves which will increase your grip and protect the fingers from dirt and overheating.
- Do not use the wheelchair on slopes > 10°.
- The Dynamic safe slope is dependent on the chair configuration, the user's abilities and the style of riding. As the user's abilities and style of riding cannot be pre-determined then the max safe slope cannot be determined. Therefore this must be determined by the user with the assistance of an attendant to prevent tipping. It is strongly recommended that inexperienced users have anti-tip tubes fitted.
- Do not use your wheelchair on muddy or icy ground.
- Do not use your wheelchair where pedestrians are not allowed.
- With all moving parts there is a natural risk of finger traps. Please handle with care
- The wheelchair should not be used in heavy rain, snow, slippery, or unsound surfaces.
- Do not use the wheelchair in hazardous environments.

 **WARNING!**

CHOKING HAZARD – This mobility aid uses small parts which under certain circumstances may present a choking hazard to small children.

 **WARNING!**

Adjustments to your wheelchair, particularly to safety-related components must be carried out by an approved dealer. This applies to adjustments to wheel locks, anti-tip tubes, backrest angle and height, lower leg length, COG, lap belt, rear wheel toe-in and camber, seat height as well as toe-in and directional stability of the castor fork.

NOTE:

- The effect of the knee-lever brake as well as the general driving characteristics are dependent on tyre pressure. The wheelchair is significantly lighter and easier to manoeuvre when the rear wheels are pumped up correctly and both wheels have the same pressure.
- Make sure that your tyres have sufficient tread!
- Please note that you are subject to any and all traffic laws when driving in public traffic.
- When it is dark, please wear light clothing or clothing with reflectors, so that you can be seen more easily. Make sure that the reflectors on the side and back of the wheelchair are clearly visible. We would also recommend that you fit an active light.
- Always be careful with your fingers when working or adjusting the wheelchair!
- The wheelchairs shown and described in this user guide may not correspond in every detail exactly to your own model. However, all instructions are completely relevant, regardless of possible detail differences.
- The manufacturer reserves the right to alter without notice any weights, measurements or other technical data shown in this manual. All figures, measurements and capacities shown in this manual are approximate and do not constitute specifications.

Lifetime

- The intended lifetime of the wheelchair is 5 years.

2.0 Transportability



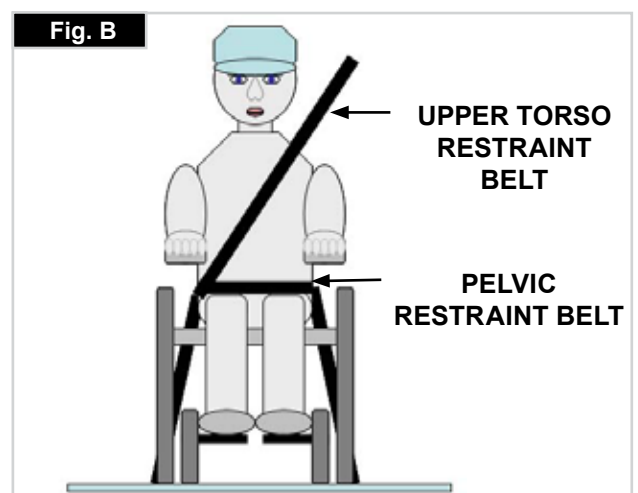
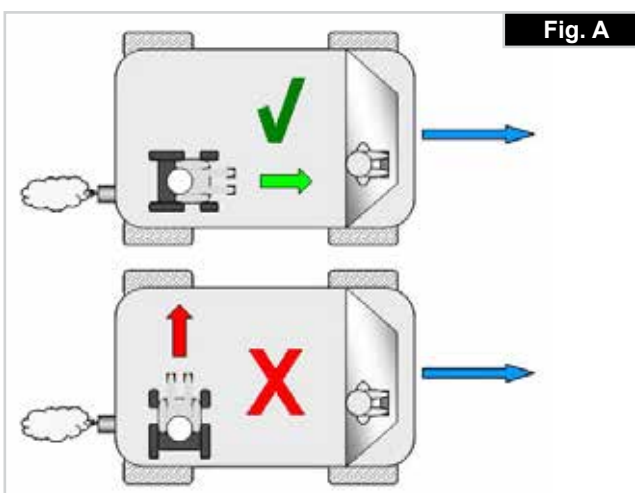
There is a risk of serious injury or death if this advice is ignored!

Transportation of your wheelchair within a vehicle:

A wheelchair secured in a vehicle will not provide the equivalent level of safety and security as a vehicle seating system. It is always recommended that the user transfers to the vehicle seating. It is recognised that this is not always practical for the user to be transferred and in these circumstances, where the user must be transported whilst in the wheelchair, the following advice must be followed:

1. Confirm that the vehicle is suitably equipped to transport a passenger in a wheelchair, and ensure the method of access/egress is suitable for your wheelchair type. The vehicle should have the floor strength to take the combined weight of the user, the wheel chair and accessories.
2. Sufficient space should be available around the wheelchair to enable clear access to attach, tighten and release the wheelchair and occupant tie down restraints and safety belts.
3. The occupied wheelchair must be located in a forward facing position and secured by the wheelchair tie down and occupant restraint straps (WTORS tie downs meeting the requirements of ISO 10542 Part 2 or SAE J2249) in accordance with the WTORS manufacturer's instructions.
4. The wheelchair's use in other positions within a vehicle has not been tested e.g. transportation in a side facing position must not be carried out under any circumstances (Fig. A).
5. The wheelchair should be secured by a Tie Down Restraint system, conforming to ISO 10542 or SAE J2249 with non-adjustable front straps and adjustable rear straps, which typically use Karabiner clips/S hooks and tongue and buckle fittings. These restraints generally comprise of 4 individual straps that are attached to each corner of the wheelchair.
6. The tie-down restraints should be fitted to the main frame of the wheelchair as indicated in the diagram on the following page, and not to any attachments or accessories, e.g. not around the spokes of wheels, brakes or footrests.

7. The tie-down restraints should be attached as close as possible at an angle of 45 degrees and tightened securely in accordance with the manufacturer's instructions.
8. Alterations or substitutions must not be made to the wheelchair tie down points or to structural and frame or components without consulting the manufacturer. Failure to do so will invalidate the ability of a Sunrise Medical wheelchair to be transported within a vehicle.
9. Both pelvic and upper torso restraint belts must be used to restrain the occupant to reduce the possibility of head and chest impacts with the vehicle components and serious risk of injury to the user and other vehicle occupants. (Fig. B) The upper torso restraint belt should be mounted to the vehicle "B" pillar - failure to do so will increase the risk of serious abdominal injuries to the user.
10. A head restraint suitable for transportation (see label on headrest) must be fitted and suitably positioned at all times during transportation.
11. Postural supports (lap straps, lap belts) should not be used or relied on for occupant restraint in a moving vehicle unless they are labelled as meeting the requirements specified in ISO 7176-19:2001 or SAE J2249.
12. The safety of the user during transportation depends upon the diligence of the person securing the tie-down restraints and they should have received appropriate instructions and/or training in their use.
13. Wherever possible remove and stow safely away from the wheelchair all auxiliary equipment, for example:
14. Crutches, Loose cushions and Tray Tables.
15. Articulating/elevating legrest should not be used in the elevated position when the wheelchair and user are being transported and the wheelchair is restrained using Wheelchair Transport and Occupant Restraints.
16. Reclining backrests should be returned to an upright position.
17. The manual brakes must be firmly applied.
18. Restraints should be mounted to the vehicle "B" pillar and should not be held away from the body by wheelchair components such as armrest or wheels.



Occupant Restraints Instruction:

1. The pelvic restraint belt must be worn low across the front of the pelvis so that the angle of the pelvic belt is within the preferred zone of 30 to 75 degrees to the horizontal.
2. A steeper (greater) angle within the preferred zone is desirable i.e. closer to, but never exceeding 75°. (Fig C).
3. The upper torso restraint belt must fit over the shoulder and across the chest as illustrated Fig. D and E.
4. Restraint belts must be adjusted as tightly as possible consistent with user comfort.
5. Restraint belt webbing must not be twisted when in use.
6. The upper torso restraint belt must fit over the shoulder and across the shoulder as illustrated in Fig. D and E.
7. The attachment points to the chair are the inner front side frame just above the castor, and the rear side frame. The straps are fitted around the side frames at the intersection of the horizontal and vertical frame tubes. (See Figs G - H)
8. The tie down symbol (Fig. F) on the wheelchair frame indicates the position of the wheelchair restraint straps. The straps are then tensioned after the front straps have been fitted to secure the wheelchair.

USER WEIGHT LESS THAN 22 kg

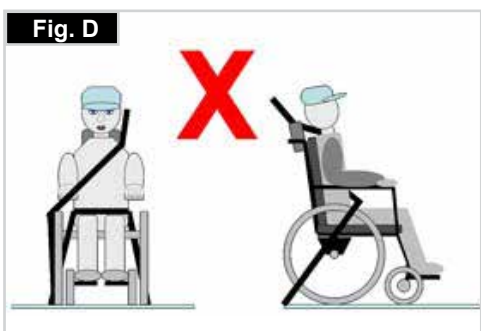
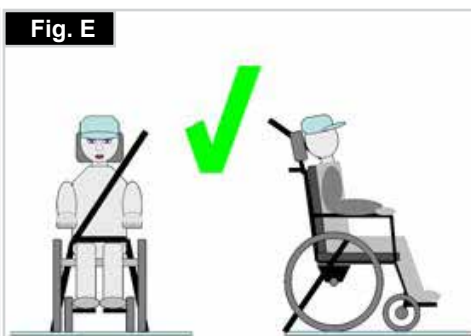
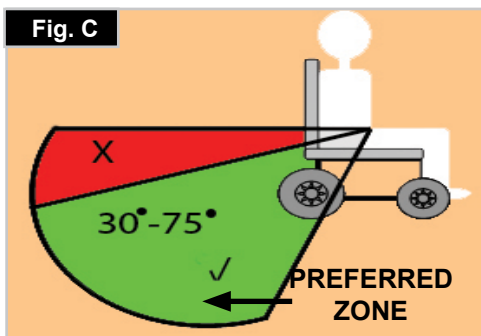
When the user being transported is a child, less than 22Kg mass and the vehicle involved has less than eight (8) seated passengers it is recommended that they be transferred to an UNCE Regulation 44 compliant child restraint system (CRS). This type of restraint system provides a more effective occupant restraint system than the conventional 3 point occupant restraint system and some CRS systems also include additional postural supports to assist in maintaining the position of the child when seated.

Parents or care providers may consider the option, in some circumstances, for their child is to remain in their wheelchair whilst in transport due to the level of posture control and comfort provided by the set up in the wheelchair.

We would recommend in such circumstances that a risk assessment be carried out by your healthcare professional and relevant competent persons.

Transportability – positioning of wheelchair tie down restraints on wheelchair

- The wheelchair secured with front wheelchair tie down restraints. (Fig. G).
- Position of the rear wheelchair tie down restraint, (Fig. H).



GUARANTEE**THIS GUARANTEE DOES NOT AFFECT YOUR LEGAL RIGHTS IN ANY WAY.**

Sunrise Medical* provides a guarantee, as set out in the warranty conditions, for wheelchairs to its customers covering the following

Warranty conditions

1. Should a part or parts of the wheelchair require repair or replacement as a result of a manufacturing and/or material fault within 24 months or for frame and cross-braces within 5 years after delivery to the customer, then the affected part or parts will be repaired or replaced free of charge. (Batteries are guaranteed for a period of 12 months subject to the correct battery care plan being followed)
2. To enforce the warranty, please contact Sunrise Medical Customer Service with the exact details of the nature of the difficulty. Should you be using the wheelchair outside the area covered by the Sunrise Medical customer service agent, repairs or replacement will be carried out by another agency as designated by the manufacturer. The wheelchair must be repaired by a Sunrise Medical designated Customer Service agent, (dealer).
3. For parts, which have been repaired or exchanged within the scope of this warranty, we provide a warranty in accordance with these warranty conditions for the remaining warranty period for the wheelchair in accordance with point 1).
4. For original spare parts which have been fitted at the customer's expense, these will have a 12 months guarantee, (following the fitting), in accordance with these warranty conditions.
5. Consumable parts such as pads, tyres, inner tubes and similar parts are excluded from the warranty, except in the case that premature wear of the part is the direct result of a manufacturing fault.
6. Claims from this warranty shall not arise, if a repair or replacement of a wheelchair or a part is required for the following reasons:
 - a) The product or part has not been maintained or serviced in accordance with the manufacturer's recommendations as shown in the User Instructions and/or the Service Instructions.
 - b) Accessories have been used which are not specified as original accessories.
 - c) The wheelchair or part having been damaged by neglect, accident or improper use.
 - d) Changes/modifications have been made to the wheelchair or parts, which deviate from the manufacturer's specifications.
 - e) Repairs have been carried out, before our Customer Service has been informed of the circumstances.
7. This guarantee is subject to the law of the country in which the product was purchased from Sunrise Medical[®]

** Means the Sunrise Medical facility from which the product was purchased.*

4.0 Handling

Quick-release axles on rear wheel

The rear wheels are equipped with quick-release axles. The wheels can thus be installed or removed without using tools. To remove a wheel, simply depress the quick-release button on the axle (1) and pull it out (Fig. 3).

CAUTION!

Hold the quick-release button on the axle depressed when inserting the axle into the frame to mount the rear wheels. Release the button to lock the wheel in place. The quick-release button should snap back to its original position.

Transporting the wheelchair

Removing the rear wheels will keep the wheelchair as compact as possible. The backrest can be folded down by pulling the cord located on the backrest. To move the unoccupied wheelchair, the wheelchair should be lifted by holding the front part of the sling and the push handles. When transporting the unoccupied wheelchair in a vehicle, it should be tied down or strapped in.

5.0 Options

Step Tubes

Step tubes are used by attendants to push a wheelchair over an obstacle. Simply step on the tube to push a wheelchair, for example, over a kerb or step (Fig. 5.1).

Brakes

CAUTION!

Braking power can be affected by incorrect fitting and adjustment of the brakes, as well as tyre pressure which is too low.

Wheel Locks

Your wheelchair is equipped with two wheel locks. They are applied directly against the tyres. To engage, press both wheel lock levers forward against the stops. To release the locks, pull the levers back to their original positions.

Braking power will decrease with:

- Worn tyre tread
- Tyre pressure that is too low
- Wet tyres
- Improperly adjusted wheel locks.

The wheel locks have not been designed to be used as brakes for a moving wheelchair. The wheel locks should therefore never be used to brake a moving wheelchair. Always use the handrims for braking. Make sure that the interval between the tyres and wheel locks complies with given specifications. To readjust, loosen screw (1) and set the appropriate interval. Tighten screws again (see the page on torque) (Fig. 5.2).

Standard Wheel lock

(Fig. 5.3)

Fig. 4.0

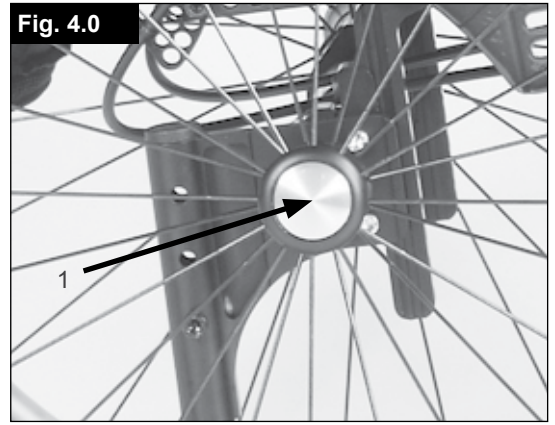


Fig. 5.1



Fig. 5.2



Fig. 5.3



Compact Wheel Lock

Compact wheel locks are underneath the seat sling and are operated by pulling the wheel locks towards the rear, in the direction of the tyre. For the brakes to work properly, this must be pulled until it reaches the stops (Fig. 5.4).

⚠ CAUTION!

- Incorrect mounting of the wheel lock will result in a higher effort to operate. This might cause the brake lever extension for the wheel locks to break!
- The mounting bolts for the brakes must not be loosened and/or re-tightened.

Safari wheel lock (Wheel lock integrated into Side guard):

The Safari wheel locks are operated by pushing the lever forwards (away from the patient's body).

To release the brakes, pull the lever back towards the body (Fig. 5.5).

Brake lever extension

The longer lever helps to minimise the effort needed to set the wheel locks. The brake lever extension is screwed to the brakes.

By raising this, it can be flipped forward (Fig. 5.6).

⚠ CAUTION!

Incorrect mounting of the wheel lock will result in a higher effort to operate. This might cause the wheel lock extension lever to break.

Footplate Adjustment

⚠ CAUTION!

- Do not stand on the footboard! Even if the user is sitting in the chair, there is still a risk of tipping over and injury.
- When transferring, do not stand on the footboard, there is a risk of tipping over and injury.

Adjusting The Footrest

Removing the screw (1) will allow you to adjust the footrest to correspond to the length of your lower leg and re-attach the footrest. The angle of the footrest may be individually adjusted (not for footrest with bar) by loosening screws (2). The side protection on the footrest prevents the feet slipping off accidentally. Make sure that after any adjustment work, all screws are tightened correctly (see the page on torque) (Fig. 5.7).

Flip-up footrest:

The footrest can be flipped up to the rear and this can make it easier for the patient to transfer to/from the chair. The footrest is flipped up by raising the front section. To return the footrest to its original position, the front section must be flipped downwards (Fig. 5.8).

High-mount footrest:

The high-mount footrest is fitted on the inner part of the frame and permits a higher footrest position (Fig. 5.9).

⚠ CAUTION!

The screws/bolts used on this wheelchair have thread locking fluid applied at the factory. After that they should be replaced or alternatively re-secured with threadlock to medium tightness.

Fig. 5.4



Fig. 5.5



Fig. 5.6



Fig. 5.7

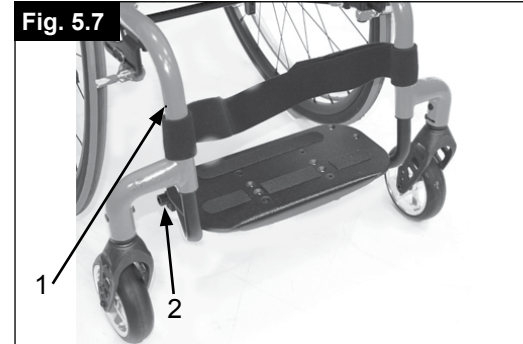


Fig. 5.8

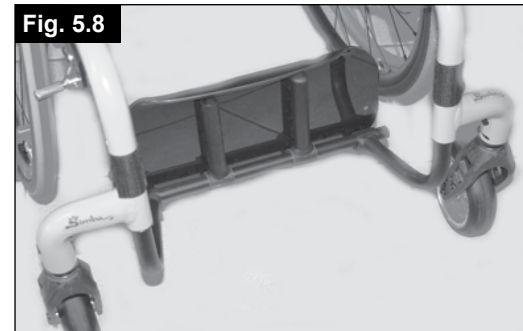


Fig. 5.9



Castor

Castor, Castor adapter, Castor fork

From time to time the wheelchair may veer slightly to the right or left or the castors may flutter.

This may be caused by the following:

- Forward and/or reverse wheel motion has not been set properly.
- The castor angle has not been adjusted properly.
- Castor and/or rear wheel air pressure is incorrect; wheels do not turn smoothly.

The optimum adjustment of the castors is required so that the wheelchair runs in a straight line.

Castors should always be adjusted by an authorised dealer. The castor plates must be readjusted, and the wheel locks must be checked any time the rear wheel position has been altered.

Adjusting the castor

To ensure that both forks are set parallel, simply count the teeth visible on both sides. After setting the castor fork, the teeth will guarantee a secure position, allowing an adjustment of 16° in 2° increments. Use the flat side to check for a right-angled position to the ground.

The patented design allows the castor fork to be turned, so that it can be reset at right-angles to the ground when the seat angle is changed (Fig. 5.10 + 5.11).

Setting the directional stability

Release the Allen screws (1) on the underside of the fork. You can then undo the screw (2). You can now turn the black socket (3) left or right.

Left – chair pulls to the left

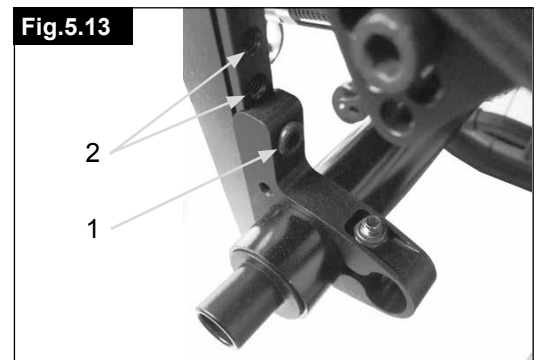
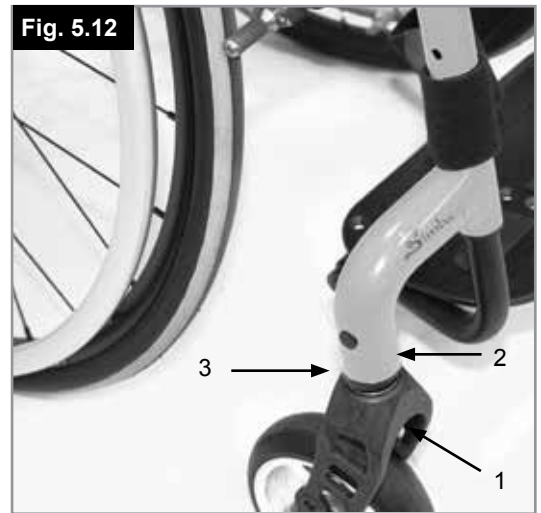
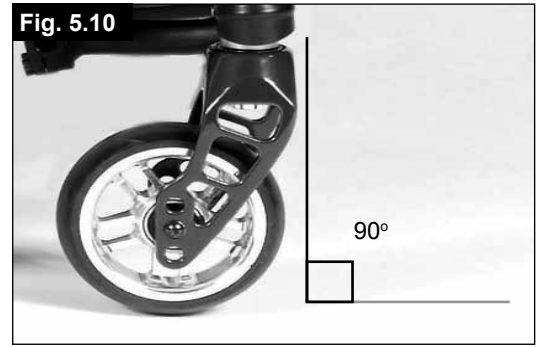
Right – chair pulls to the right

Then tighten up the screw (2) again. Please set a 90° angle from the fork to the floor.

Now tighten up the screw (1) again. (Fig. 4.16).



The screws/bolts used on this wheelchair have thread locking fluid applied at the factory. After that they should be replaced or alternatively re-secured with threadlock to medium tightness.



Seat

Adjusting the seat height

To adjust the rear seat height release and remove the Allen screw (1) (one on each side), that fixes the clamp, (2) to the axle plate. Adjust the two camber tube clamps (2) to the required height and replace the two Allen screws. Before tightening the screws, please follow the instructions for setting the toe-in/toe-out to zero.

Tighten the screws to 10 Nm. (Fig. 5.13)



- An adjustment to the castor angle may be necessary when adjusting the rear seat height.
- The screws/bolts used on this wheelchair have thread locking fluid applied at the factory. After that they should be replaced or alternatively re-secured with threadlock to medium tightness.

Wheel Alignment

Adjusting the wheel alignment

Important: To achieve the very best movement, the rear wheels must be adjusted to their optimum position, which means correctly adjusting the wheel alignment.

To do this, measure the distance between both wheels front and rear to ensure that they are parallel to one another. The difference between both measurements should not exceed 5 mm.

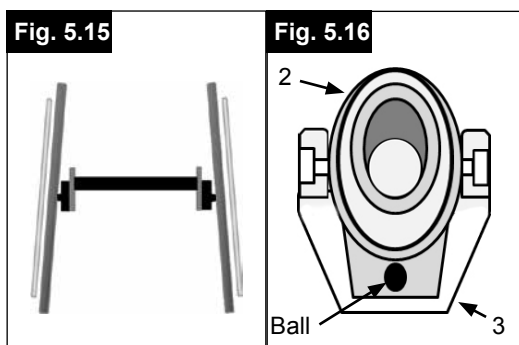
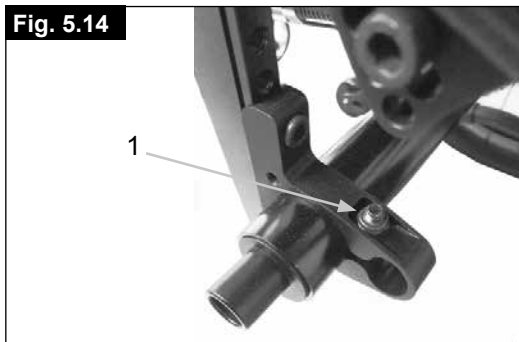
To adjust the wheels to make them parallel, loosen the screws and turn the axle sleeve accordingly. Make sure that after any adjustment work, all screws are tightened correctly (see the page on torque).

SIMBA tracking adjustment

Setting the toe-in/toe-out to zero:

NOTE: A wheelchair with 0° camber cylinders cannot have toe-in or toe-out. This setting is necessary only with 3°, 6° and 9° camber cylinders.

The term "toe-in or toe-out" defines how well the rear wheels of the chair are aligned in relation to the ground. This determines how well the chair will run. Normal resistance or rolling resistance is present when toe-in is set to zero. To set toe-in/toe-out to zero: Loosen the Allen screws (1) (one on each side), which secure the angle tube clamp. Check the ball in the horizontal (2) plane and turn the angle tube (3) until the ball is in the centre. Toe-in is now zero. Before tightening the screws (1), check that the camber tube is centred left-to-right. The gap should be the same on both sides, or there should be no gap at all. Tighten the screws to 10 Nm (Fig. 5.14 - 5.16).



Adjusting the wheelbase width

⚠ CAUTION!

When adjusting the rear wheelbase, adjust first one wheel then the other. If both sides are loosened at the same time, this will alter the toe-in/toe-out adjustment. To adjust the rear wheelbase, the parts of the camber (4) move telescopically into or out of the camber tube (5), and lock into place when they reach the end. Loosen screw (6) (located closest to the camber tube) on the left side of the chair.

Move the quick-release axle inwards or outwards to achieve the desired wheelbase. Tighten the screws to 10 Nm. Repeat this procedure on the right side of the chair and adjust the gap so that it is the same amount as on the left side (Fig. 5.17).

⚠ CAUTION!

The screws/bolts used on this wheelchair have thread locking fluid applied at the factory. After that they should be replaced or alternatively re-secured with threadlock to medium tightness.



Backrest

Angle-adjustable back

The backrest angle is adjusted by altering the position of the backrest mounting. The screws (1) must be loosened and removed on both sides. The backrest mounting should now be adjusted until the desired angle is reached. Then the screws (1) must be re-tightened and secured (Fig. 5.18)



The screws must be re-tightened. Otherwise the angle adjustment will be lost.

Folding backrest

Release the backrest by pulling the cord and at the same time, pushing it forward to fold it down. To return the backrest to its original position, this must be pulled back as far as possible until it locks into place on both sides.



If the backrest is pulled too far backwards, operating the brakes could cause the user to fall backwards. Therefore, please make sure that both backrests lock into place.



When folding the backrest down, please make sure that your fingers do not get caught.

Backrest in the relax position

A relax position can be achieved with a 10° backrest angle. Pull the cord located on the backrest to release it, and pull it backwards until both backrest tubes lock into place.



If the backrest is pulled too far backwards, operating the brakes could cause the user to fall backwards. Therefore, please make sure that both backrests lock into place.



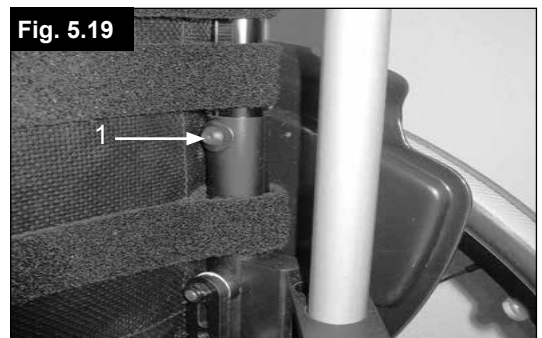
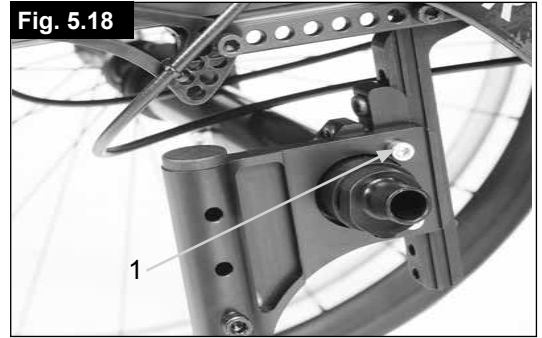
When folding the backrest down, please make sure that your fingers do not get caught.

Adjustable Back Sling

The adjustable back sling can be adjusted for tension by using several straps. The back sling upholstery can be accessed from the inside via an opening and can be padded to suit individual tastes.

Height-adjustable backrest

The back height may be set to various back heights, in 2.5 cm steps. The adjustment ranges are 20-25 cm, 25-30 cm, 30-35 cm and 35-40 cm. Release the screws (1) and set the backrest to the desired height. Tighten up the screws again (see the page on torque) (Fig. 5.19).



Sideguard

The sideguards of the SIMBA are primarily designed for the new integrated sideguard brakes. If you have not ordered the integrated sideguard brakes then the openings in the sideguard are fitted with covers, (Fig. 5.20).



WARNING!

If the sideguard is used without the covers, then this presents a risk of injury. Where the integrated sideguard brake is not fitted, then there must be a cover.

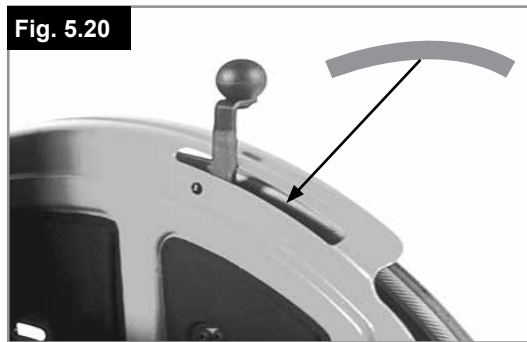
Armrest

The armrest is screwed into place on the sideguard at the designated position. The armrest is height-adjustable.

Tray

A therapy table can only be used in combination with the armrest. It is fixed onto the armrest and is positioned on both armrests

Fig. 5.20



Push handle



DANGER!

A wheelchair should never be lifted with an occupant; it should only be pushed.

Height-adjustable push handles

These handles are secured with pins to prevent them from sliding out unintentionally. Opening the quick-release lever (1) makes it possible to adjust the height of the push handles (2) to meet your individual needs. As you move the lever, you will hear a locking mechanism; you may now easily position the push handle as desired.

The nut on the tension lever determines how tightly the push handles are clamped into place. If the nut is loose after adjusting the tension lever, the push handle will also be too loose. Turn the push handle from side to side before use to make sure that it is clamped securely enough into place. After adjusting handle height, always clamp the tension lever (1) securely into place. If the lever is not secure, injuries could result when ascending stairs (Fig. 5.21 + 5.21.1).



CAUTION!

If the height-adjustable push handles are not fitted properly, there is a risk that these will develop "play" or that they move out of position. Please make sure that the relevant screws are tightened correctly.

Fig. 5.21



Fig. 5.21.1

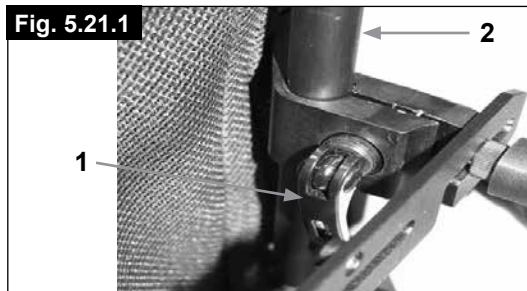
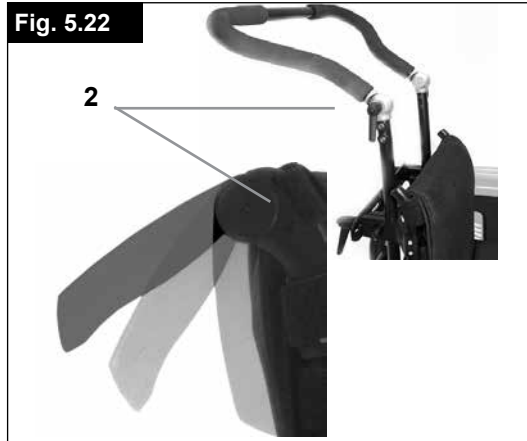


Fig. 5.22



Fold-down push Handles/Bar

If the push handles are not in use, they can be folded down by loosening the levers, (2). When they are needed again, simply flip them back up until they click into place and tighten the levers, (Fig. 5.22).

Anti-tip tubes

Sunrise Medical recommends anti-tip tubes for all chairs. When fitting anti-tip tubes, use a torque of 16 Nm (Fig. 5.23)

1. Slotting the anti-tip tubes into the clamp:

- Press the rear button on the anti-tip tube on the anti-tip tube adaptor, so that both release pins are drawn inwards.
- Slot the anti-tip tubes (1) into the anti-tip tube adaptor.
- Turn the anti-tip tubes downwards until the release pin locks into the clamp.
- Fit the second anti-tip tube in the same way.

2. Adjusting the anti-tip tubes:

To achieve the correct ground clearance of approx. 1" to 2" (2.5 cm to 5.0 cm), the anti-tip tubes must be raised or lowered.

- Press the anti-tip tube release button, so that both release pins are drawn inwards.
- Move the inner tube up or down to slot into the height holes provided.
- Release the button.
- Fit the second anti-tip tube in the same way.
- Both wheels should be at the same height.



If the anti-tip tubes are not fitted, or have been fitted incorrectly, there is a risk of tipping over and of injury.

Fig. 5.23

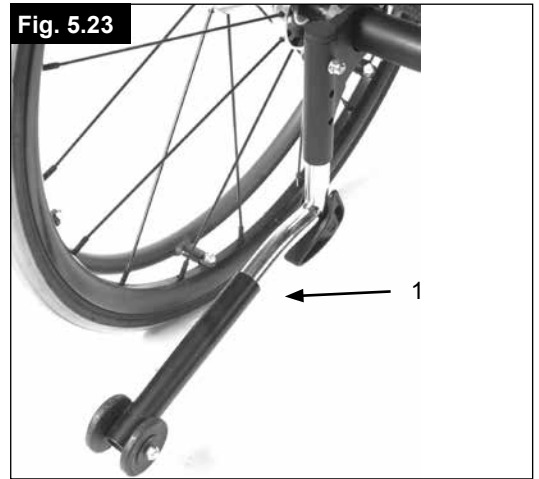


Fig. 5.24



Seat

Seat Sling:

Remove the screws on the left side of the sling.

Adjust the VELCRO® material to increase the tension of the seat sling.

Tighten up the screws again.

If the screws are difficult to fit back in place, try and locate the holes with a sharp object. Ensure also that the plastic base is in the correct position before the screws are tightened again, (5.24).

Seat width and seat depth growth

Seat width growth:

The seat width can be extended by up to 2 cm without the requirement for any new parts:

- The screws in the footrest and axle, plus the two stabilising bars on the backrest and under the seat, must be loosened.
- The telescopic tubes on the footrest, stabilising bars and the axle tube, must be extended to suit the new seat width. The screws must then be re-tightened.
- Back and seat slings must be loosened using the Velcro and set to the next largest seat width,

Seat depth growth:

The seat depth can be extended by up to 4 cm without the requirement for any new parts:

Loosen and remove the screws, (A - Fig. 5.25), on both sides of the wheelchair on the seat frame and move the complete component, including the backrest tubes to the required position.

Refit the studs "A" and tighten.

Fig. 5.25

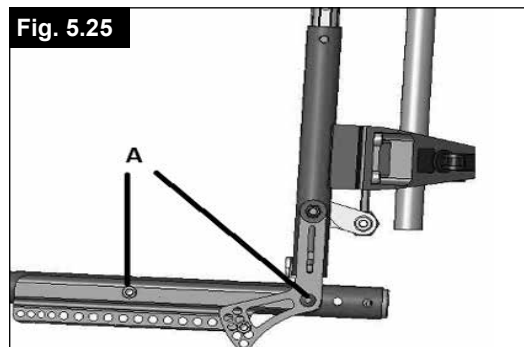


Fig. 5.26



Fig. 5.27



Crutch Holder

Crutch Holder

This device permits crutches to be transported directly on a wheelchair. It has a Velcro loop to fasten crutches or other aids, (5.26).



Never try to use or even remove the crutches or other aids while moving.

Tyres and Mounting

Solid rubber tyres are standard, (5.27).



If fitting pneumatic tyres:

With pneumatic tyres always make sure that the tyres have the correct air pressure, as otherwise the performance of the wheelchair may be affected. If the tyre pressure is too low, rolling resistance will increase, requiring more effort to move the chair forward. Low tyre pressure also has a negative impact on manoeuvrability. If the tyre pressure is too high, the tyre could burst. The correct pressure for a given tyre is printed on the surface of the tyre itself.

Tyres can be mounted the same way as an ordinary bicycle tyre. Before installing a new inner tube, you should always make sure that the base of the rim and the interior of the tyre are free of foreign objects. Check the pressure after mounting or repairing a tyre. It is critical to your safety and to the wheelchair's performance that regulation air pressure be maintained and that tyres are in good condition.

6.0 Anterior Lateral Support (Lap belt)

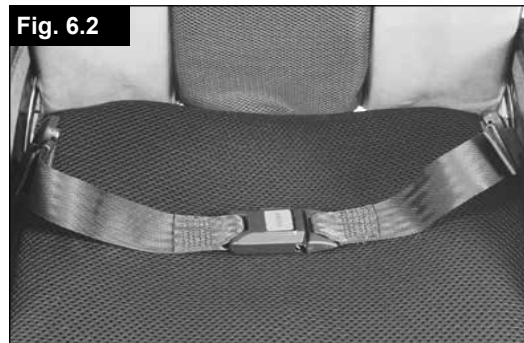
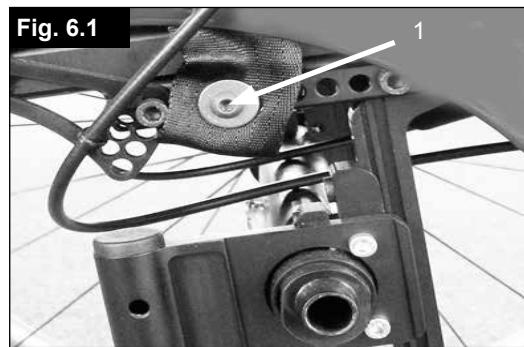
⚠ DANGER!

Before using your wheelchair ensure the lap belt is worn. The lap belt must be checked on a daily basis to ensure it is free from any obstruction or adverse wear. Always make sure that the lap strap is correctly secured and adjusted prior to use. If the strap is too loose it could cause the user to slip down and risk suffocation or cause serious injury.

The lap belt is fitted to the wheelchair as shown in the illustrations. The seat belt comprises 2 halves. They are fitted using the existing seat stay retaining bolt fitted through the eyelet on the belt. The belt is routed under the rear of the side panel, (1). (Fig. 6.1)

Adjust the belt position so buckles are in the centre of the seat. (Fig. 6.2).

If you want to retrofit a lap belt, then please contact your authorised Sunrise Medical dealer.



Adjust lap belt to suit the user's needs as follows:

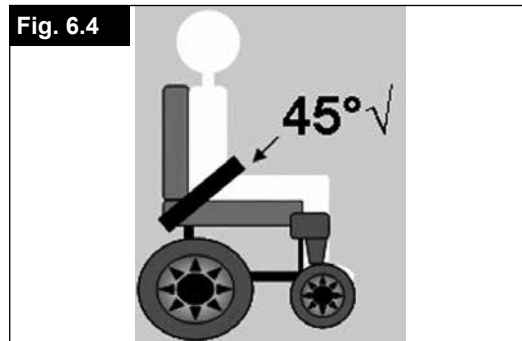
To reduce the belt length	To increase the belt length
<p>Feed free belt back through male buckle and slide adjusters. Ensure belt is not looped at male buckle.</p>	<p>Feed free belt through slide adjusters and male buckle to provide more belt length.</p>





When fastened check space between the pelvic restraint belt and user. When correctly adjusted it should not be possible to insert more than the flat of the hand between the lap belt and the user. (Fig. 6.3).

The lap belt should be fixed so that the belt sits at an angle of 45 degrees across the user's pelvis. The user should be upright and be as far back as possible in the seat when correctly adjusted. The lap belt should not allow the user to slip down in the seat.

(Fig. 6.4)



	
<p>To fasten buckle: Firmly push male buckle into female buckle.</p>	<p>To release belt: Press exposed sides of male buckle and push towards centre whilst gently pulling apart.</p>

WARNING!

- If in doubt about the use and operation of the lap belt then ask your healthcare professional, wheelchair dealer, carer or attendant for assistance.
- The lap belt must only be fitted by an approved Sunrise Medical dealer / agent.
- The lap belt should only be adjusted by a professional, or a Sunrise Medical approved dealer / agent.
- The lap belt must be checked on a daily basis to ensure it is adjusted correctly and free from any obstruction or adverse wear.
- Sunrise Medical does not encourage the transportation of any person in a vehicle using this lap belt as a method of restraint.



Please see Sunrise Medical transit booklet for further advice on transportation.

Maintenance:

Check lap belt and securing components at regular intervals for any sign of fraying or damage. Replace if necessary.

WARNING!

The lap belt should be adjusted to suit the end user as detailed above. Sunrise Medical recommends that the length and fit of the belt be checked on a regular basis to reduce the risk of the end user inadvertently re-adjusting the belt to an excessive length.

7.0 Trouble-shooting

Wheelchair pulls to one side

- Check tyre pressure
- Check to make sure wheel turns easily (bearings, axle)
- Check the castor angle.
- Check to make sure both casters are making proper contact with the ground

Casters begin to wobble

- Check the castor angle.
- Check to make sure all bolts are secure; tighten if necessary (see the section on torque).
- Check to make sure both casters are making proper contact with the ground

Wheelchair / Cross-tube assembly does not snap into position in the seat saddle

- Chair is still new, i.e., the seat or backrest upholstery is still very stiff. This will improve with time.

Wheelchair is difficult to fold up

- Adjustable backrest upholstery is too stiff. Loosen it accordingly.

Wheelchair squeaks and rattles

- Check to make sure all bolts are secure; tighten if necessary (see the section on torque).
- Apply small amount of lubrication to spots where movable parts come in contact with one another

Wheelchair begins to wobble

- Check angle at which castors are set.
- Check tyre pressure
- Check to see if rear wheels are adjusted differentl

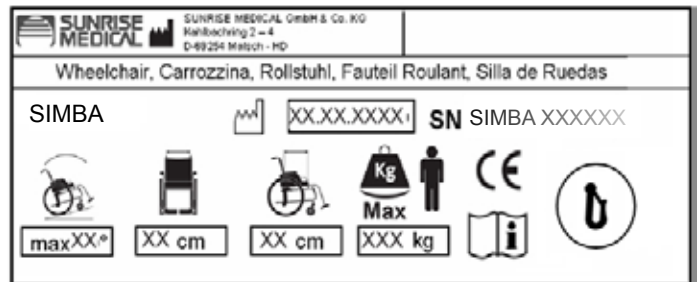
8.0 Name Plate

Name Plate

The nameplate is located on either the cross-tube assembly or the transverse frame tube, as well as on a label in the owner's manual. The nameplate indicates the exact model designation and other technical specifications. Please provide the following pieces of information whenever you have to order replacement parts or to file a claim:

- Serial number
- Order number
- Month/Year

SAMPLE



SIMBA
XXXXX-XXX

Product Name/SKU Number.



Maximum safe slope with anti-tip tubes fitted, Depends on wheelchair setting, posture and physical capabilities of the user.



Manufacturer Symbol



Seat width.



Depth (maximum).



Load Maximum.



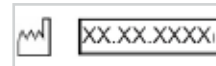
CE Mark



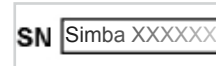
User's Guide.



Crash Tested.



Date of manufacture.



Serial number.

Safety Check

As the user you will be the first person to notice any possible defects. We therefore recommend that before each use, you check the following:

- that the tyre pressure is correct.
- that the brakes work correctly.
- that all removable parts are securely fastened (e.g. armrests, footrest hangers, quick-release axles ...).
- if there is any damage/defect, please contact your authorised dealer.

Maintenance

- Check the tyre pressure at regular intervals.
- Check all tyres for wear and damage at regular intervals, at least annually. Change the tyres as soon as there is any sign of damage or wear.
- Check the seat and back sling for wear and damage at regular intervals, at least annually. Change these items as soon as there is any sign of damage or wear.
- Check all frame and backrest components for wear and damage at regular intervals, at least annually. Change these items as soon as there is any sign of damage or wear.
- Check the brakes for wear and damage at regular intervals, at least annually. Check that they are working properly and are easy to use. Change the brakes as soon as there is any sign of damage or wear.
- Check to make sure all bolts are secure (see the section on torque) at regular intervals, at least annually. All screws which are critical to using the wheelchair safely have safety nuts. Safety nuts should only be used once and should be replaced after use.
- A small amount of sewing-machine oil should be applied to quick-release axles approximately every 8 weeks. Depending on the frequency and type of use, we recommend taking your wheelchair to your authorised dealer every 6 months to have it inspected by trained personnel.
- The wheelchair should always be stored in a dry place.

If you want to store the wheelchair for a long period of time, then no further measures are required. Make sure that the wheelchair is stored at room temperature in a dry place which is protected from strong sunlight. Before using it again, the wheelchair should be checked by an authorised dealer.

CAUTION!

- If torque settings are given, then we strongly recommend that you use a torque measuring device, in order to check that you have tightened to the correct torque.
- You should only use genuine parts approved by Sunrise Medical. Do not use parts from other manufacturers, that have not been authorised by Sunrise Medical.
- Please use only mild household cleansers when your wheelchair is dirty. Use only soap and water when cleaning the seat upholstery and lap belt.
- Depending on the frequency and type of use, we recommend taking your wheelchair to your authorised dealer regularly, but at least within a year, to have it maintained by trained personnel.

CAUTION!

- Sand, salt and sea water can damage the bearings of the front and rear wheels. Clean and dry the wheelchair carefully, after they have been exposed to these elements.
- If your wheelchair should ever get wet, please dry it afterwards.

The following parts can be removed and sent back to the manufacturer/dealer for repair:

- Rear wheels
- Armrest
- foot rests
- Anti-Tip tubes

Hygiene when being reused:

Prior to the wheelchair being re-used, it must be carefully prepared. All surfaces which come into contact with the user must be treated with a disinfection spray.

To do this, you must use a disinfectant from the DGHM list, e.g. Antifect Liquid (Schülke & Mayr) for rapid alcohol-based disinfection for medical products and medical devices, which must be disinfected quickly. Please pay attention to the manufacturer's instructions of the disinfectant you are using.

In general, a complete disinfection cannot be guaranteed on seams. We therefore recommend that you dispose of seat and back slings to avoid microbacterial contamination with active agents according to § 6 infection protection law.

10.0 Technical Data

Max. Total height:	1000 mm
Max. Overall length:	850 mm
Max. Turning radius:	650 mm
Max safe slope:	10°
Weight:	from 9 kg
Weight without rear wheels:	from 6.9 kg
Mass of the heaviest part:	2.1 kg

Max. Width:

CAMBERS	20" REAR WHEEL	22" REAR WHEEL	24" REAR WHEEL
0° camber	SW + 160 mm	SW + 160 mm	SW + 160 mm
3° camber	SW + 200 mm	SW + 210 mm	SW + 220 mm
6° camber	SW + 260 mm	SW + 270 mm	SW + 280 mm
9° camber	SW + 310 mm	SW + 320 mm	SW + 330 mm

Maximum load:

SIMBA up to a load of 65 kg

Seat heights:

The choice of frames, forks and castors, as well as the rear wheel size (20", 22", 24") determines the seat heights which can be achieved.

The wheelchair conforms to the following standards:

1. Requirements and test for static stability, impact resistance and fatigue strength (ISO 7176-8).
2. Resistance to ignition (EN 1021-2).

11.0 Disposal / Recycling of Materials

If the wheelchair has been made available to you free of charge, then it does not belong to you. If it is no longer required, then follow the instructions to return it as given by the organisation that made the wheelchair available to you. In the following section, there is a description of the materials used on the wheelchair, in view of the disposal or recycling of the wheelchair and its packaging.

Particular regulations with regard to disposal or recycling may be in force locally and these must be taken into account when performing disposal. (This can include the cleaning or decontamination of the wheelchair prior to disposal).

Aluminium: Castor forks, wheels, sideguards for the chassis, armrest frame, footrest, push handles,

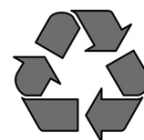
Steel: Fixing points, quick-release axle.

Plastic: Handles, tube stoppers, castors, footplates, armpads and 12" wheel/tyre.

Packaging: Plastic bags made of soft polyethylene, cardboard.

Upholstery: Woven polyester with PVC coatings and expanded combustion modified foam.

Disposal or recycling should be done through a licensed agent or authorised place of disposal. Alternatively your wheelchair may be returned to your dealer for disposal.



Vorwort

Sehr geehrte Kunde,

Wir freuen uns sehr, dass Sie ein Spitzenqualitätsprodukt von SUNRISE MEDICAL gewählt haben.

Dieses Handbuch vermittelt Ihnen zahlreiche Tipps und Ideen, damit Ihr neuer Rollstuhl ein vertrauter und zuverlässiger Partner im Leben werden kann.

Eine gute Beziehung zu unseren Kunden ist für Sunrise Medical sehr wichtig. Wir möchten Sie gerne über unsere neuen und aktuellen Entwicklungen auf dem Laufenden halten. Kundennähe bedeutet: schneller Service, so wenig Bürokratie wie möglich, enge Zusammenarbeit mit unseren Kunden. Wenn Sie Ersatzteile oder Zubehör brauchen oder einfach eine Frage zu Ihrem Rollstuhl haben – wir sind für Sie da.

Wir möchten, dass Sie mit unseren Produkten und unserem Service zufrieden sind. Wir von Sunrise Medical arbeiten daher ständig an der Weiterentwicklung unserer Produkte. Aus diesem Grund können in unserer Produktreihe Änderungen in der Form, Technologie und Ausstattung vorkommen. Es können also aus den Angaben und Abbildungen in diesem Handbuch keine Ansprüche abgeleitet werden.

Das Managementsystem von SUNRISE MEDICAL ist zertifiziert nach DIN EN ISO 9001, ISO 13485 und ISO 14001.



SUNRISE MEDICAL erklärt als Hersteller, dass die Rollstühle mit den Anforderungen der Richtlinie 93/42/EEC übereinstimmen.

Fragen zum Gebrauch, zur Wartung und Sicherheit Ihres Rollstuhls richten Sie bitte an den zuständigen, zugelassenen SUNRISE MEDICAL Fachhändler.

Falls sich kein zuständiger Fachhändler in Ihrer Nähe befindet oder falls Sie Fragen haben, können Sie Sunrise Medical auch schriftlich oder telefonisch erreichen.

Sunrise Medical GmbH
Kahlbachring 2-4
69245 Malsch
/HD
Heidelberg
Deutschland
Tel: +49 (0) 7253/980-0
Fax: +49 (0) 7253/980-222
www.sunrisemedical.de

WICHTIG:



BENUTZEN SIE IHREN ROLLSTUHL ERST, WENN SIE DIESES HANDBUCH VOLLSTÄNDIG GELESEN UND VERSTANDEN HABEN.

Verwendung

Rollstühle sind ausschließlich für Anwender bestimmt, die nicht laufen können oder deren Bewegungsfähigkeit eingeschränkt ist, zur persönlichen Nutzung Zuhause oder Draußen, bei Antrieb aus eigener Kraft oder durch einen Dritten (von einer Begleitperson).

Das Höchstgewicht (das Körpergewicht des Benutzers und das Gewicht des Rollstuhls inkl. angebauten Zubehörs) ist auf dem Etikett mit der Seriennummer angegeben, das an der Kreuzstrebe oder an der Querstrebe unter dem Sitz angebracht ist.

Eine Gewähr kann nur übernommen werden, wenn das Produkt unter den vorgegebenen Bedingungen und zu den vorgesehenen Zwecken eingesetzt wird. Die vorgesehene Lebensdauer des Rollstuhls beträgt 5 Jahre. KEINE NICHT GENORMTE TEILE, außer den offiziell von Sunrise Medical genehmigten, dürfen eingebaut werden.

Verwendungszweck.





Die Vielfalt an Optionen sowie die modulare Bauweise erlauben einen Einsatz bei Gehunfähigkeit/Gehbehinderung durch:

- Lähmung
- Gliedmaßenverlust (Beinamputation)
- Gliedmaßendefekt/Deformation
- Gelenkkontrakturen/-schäden
- Erkrankungen wie Herz- und Kreislaufinsuffizienz, Gleichgewichtsstörungen oder Kachexie sowie für Geriatiker mit noch verwendbaren Restkräften der oberen Gliedmaßen.

Beachten Sie bei der Versorgung außerdem auf Körpergröße, Gewicht, physische und psychische Verfassung, Alter des Behinderten, Wohnverhältnisse und Umwelt.

1.0 Allgemeine Sicherheitshinweise und Fahreinschränkungen	32
2.0 Transport	35
3.0 Garantie	37
4.0 Handhabung	38
5.0 Optionen	38
Ankippbügel	38
Bremse	38
Einstellen der Fußplatte	39
Lenkrad	40
Sitz	40
Radspur	41
Rücken	42
Seitenteil	43
Schiebegriff	43
Sicherheitsräder	44
Sitz	44
Sitzbreiten- und Sitztiefenwachstum	45
Stockhalter	45
Reifen und Montage	45
6.0 Unterstützung an der Seite und vorne	46
7.0 Fehlersuche	48
8.0 Typenschild	48
9.0 Wartung und Pflege	49
10.0 Technische Daten	50
11.0 Entsorgung / Recycling von Materialien	50

3.1 In dieser Anweisung verwendete Begriffsdefinitionen

Wort	Definition
 GEFAHR!	Hinweis an den Benutzer, dass ein potentielles Verletzungsrisiko besteht, wenn der Anweisung nicht entsprochen wird
 WARNUNG!	Hinweis an den Benutzer, dass Verletzungsgefahr besteht, wenn der Anweisung nicht entsprochen wird.
 VORSICHT!	Anweisung an den Benutzer, dass ein möglicher Sachschaden am Rollstuhl auftreten kann, wenn der Anweisung nicht entsprochen wird
HINWEIS:	Allgemeine Empfehlung oder Optimales Verfahren
	Bezugnahme auf weitere Dokumente

HINWEIS:

Die Rollstühle, die in diesem Handbuch abgebildet und beschrieben sind, entsprechen möglicherweise nicht in allen Einzelheiten genau Ihrem eigenen Modell. Dennoch sind alle Anweisungen trotz möglicher Detailunterschiede völlig relevant. Der Hersteller behält sich das Recht vor, Gewichte, Abmessungen oder andere in diesem Handbuch aufgeführte technische Daten ohne vorherige Benachrichtigung zu ändern. Alle in diesem Handbuch aufgeführten Zahlenangaben, Abmessungen und Kapazitäten sind ungefähr und stellen keine präzisen technischen Daten dar.

HINWEIS:

Bitte notieren Sie die Adresse und Telefonnummer Ihrer zuständigen Servicestelle in dem unten vorgesehenen Feld. Benachrichtigen Sie ihn im Fall einer Panne, und versuchen Sie, alle relevanten Einzelheiten anzugeben, damit Ihnen rasch geholfen werden kann.

Unterschrift und Stempel des Fachhändlers

1.0 Allgemeine Sicherheitshinweise und Fahreinschränkungen



Technik und Bauweise dieses Rollstuhls sind für die maximale Sicherheit entworfen. Die aktuell gültigen internationalen Sicherheitsstandards wurden erfüllt oder teilweise überschritten. Dennoch kann sich der Benutzer einem Risiko aussetzen, wenn er den Rollstuhl nicht vorschriftsmäßig handhabt. Beachten Sie zu Ihrer eigenen Sicherheit bitte unbedingt die nachstehenden Regeln.

Unfachmännische oder fehlerhafte Änderungen oder Einstellungen erhöhen das Unfallrisiko. Als Rollstuhlfahrer sind Sie auch Verkehrsteilnehmer und Passant auf Straßen und Gehwegen. Wir möchten Sie daran erinnern, dass für Sie als Rollstuhlfahrer alle Verkehrsregeln gelten. Seien Sie auf Ihrer ersten Fahrt im Rollstuhl besonders vorsichtig. Lernen Sie Ihren Stuhl kennen.

Überprüfen Sie Folgendes vor jedem Gebrauch:

- Steckachsen an den Hinterrädern
- Klettverschluss am Sitz und an der Rückenlehne
- Reifen, Reifendruck und Feststellbremsen.

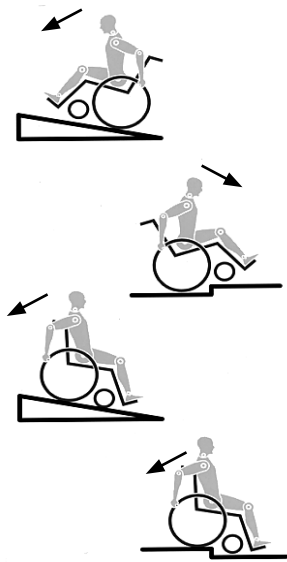


Sollten irgendwelche Veränderungen an den Einstellungen vorgenommen werden, ist es wichtig, den entsprechenden Abschnitt der Gebrauchsanweisung zu lesen.

Besonders beim Befahren von Steigungen oder Gefällen können Schlaglöcher oder unebener Untergrund den Rollstuhl zum Kippen bringen. Wird eine Stufe oder ein Anstieg vorwärts befahren, sollte der Körper nach vorne geneigt sein.

- Überschreiten Sie NIEMALS die Maximale Zuladung von 65 kg für Fahrer plus mitgeführte Gegenstände. Bitte beachten Sie die Gewichtsangaben für die leichteren Gewichtsoptionen, die separat aufgeführt werden. Das Überschreiten der maximalen Zuladung kann zu Schäden am Stuhl, zu Fallen oder Kippen aus dem Rollstuhl, Verlust der Kontrolle oder zu schweren Verletzungen des Fahrers und anderer Personen führen.
- Um Stürze und gefährliche Situationen zu vermeiden, sollten Sie den Umgang mit Ihrem neuen Sitzschalenuntergestell erst auf ebenem, überschaubarem Gelände üben.
- Der Rollstuhl dient ausschließlich der Beförderung einer Person. Jede andere Nutzung entspricht nicht dem eigentlichen Zweck.
- Benutzen Sie zum Ein- oder Aussteigen aus dem Rollstuhl nicht die Fußbretter. Diese sollten vorher hochgeklappt und möglichst nach außen weggeschwenkt werden.
- Abhängig von Durchmesser und Einstellung der Lenkräder sowie der Schwerpunkteinstellung des Rollstuhls kann bei höheren Geschwindigkeiten ein Flattern der Lenkräder auftreten. Dies kann zu einem Blockieren der Lenkräder und zum Kippen des Rollstuhls führen. Achten Sie daher auf eine korrekte Einstellung der Lenkräder (siehe Kapitel "Lenkräder").
- Befahren Sie insbesondere Gefällstrecken nicht ungebremst, sondern mit reduzierter Geschwindigkeit. Bei höheren Geschwindigkeiten kann je nach Konfiguration und/oder dem Körperbau bzw. den physischen Fähigkeiten des Benutzers ein unerwartetes Flattern der Lenkräder auftreten. Dadurch kann der Benutzer zu Schaden kommen.
- Erforschen Sie die Auswirkungen von Schwerpunktverlagerungen auf das Verhalten des Sitzschalenuntergestells, zum Beispiel auf Gefällstrecken, Steigungen, sämtlichen Neigungen oder beim Überwinden von Hindernissen nur mit sicherer Unterstützung eines Helfers.
- Die Verwendung von Sicherheitsrädern ist bei ungeübten Nutzern unbedingt empfehlenswert.
- Die Sicherheitsräder sollen ein unbeabsichtigtes Kippen nach hinten verhindern. Keinesfalls sollen sie die Funktion von Transittrollen übernehmen, etwa um eine Person bei abgenommenen Antriebsrädern im Rollstuhl zu transportieren.
- Bei extremen Einstellungen (z.B. Antriebsräder in vorderster Position) und ungünstiger Körperhaltung kann der Rollstuhl bereits auf ebener Fläche kippen.
- Neigen Sie Ihren Oberkörper beim Befahren von Steigungen und Stufen weit nach vorn.
- Lehnen Sie Ihren Oberkörper beim Befahren von Neigungen und Stufen weiter nach hinten.
- Achten Sie bei Verwendung von angebautem Mobilitätszubehör wie Handbikes, elektrischen Zusatzantrieben etc. darauf, dass Ihr Rollstuhl mit den entsprechenden Lenkradgabeln ausgestattet ist, die für diesen Zweck vorgesehen sind. Bitte kontaktieren Sie diesbezüglich Ihren Fachhändler.
- Bitte beachten Sie, dass der Rollstuhl in bestimmten Konfigurationen eine Breite von 700mm überschreiten kann. Sollte dies der Fall sein, kann die Benutzung vorhandener Rettungswege unter Umständen nicht möglich sein. Eine Mitnahme in öffentlichen Verkehrsmitteln kann erschwert oder nicht möglich sein.

Fig. A





- Hängen Sie keine schweren Teile wie Einkaufstaschen oder Rucksäcke an die Schiebegriffe, die Kopfstütze oder an den Rücken des Rollstuhls.
- Dadurch kann sich der Kippunkt ändern und es besteht die Gefahr, dass das Sitzschalenuntergestell nach hinten umkippt.
- Achten Sie beim Ergreifen von Gegenständen (die vor, seitlich oder hinter dem Sitzschalenuntergestell liegen) darauf, dass Sie sich nicht zu weit aus dem Sitzschalenuntergestell lehnen, da durch Schwerpunktverlagerung eine Kipp- bzw. Überschlaggefahr besteht.
- Setzen Sie Ihren Rollstuhl nur bestimmungsgemäß ein. Vermeiden Sie z.B. ein ungebremstes Fahren gegen ein Hindernis (Stufen, Bordsteinkante) oder Herunterfahren von Kanten.
- Treppen dürfen nur mit Hilfe von Begleitpersonen überwunden werden. Sind dafür Einrichtungen wie z.B. Auffahrampen oder Aufzüge vorhanden, so sind diese zu benutzen. Fehlen solche Einrichtungen, ist der Rollstuhl anzukippen und über die Stufen zu führen (2 Helfer).
- Generell müssen montierte Sicherheitsräder zuvor so eingestellt werden, dass sie beim Transport nicht auf die Stufen aufsetzen können, da es sonst zu schweren Stürzen kommen kann. Anschließend müssen die Sicherheitsräder wider korrekt eingestellt werden.
- Achten Sie darauf, dass die Begleitpersonen den Rollstuhl nur an fest montierten Bauteilen anfassen (z.B. nicht an der Fußraste oder den Seitenteilen).
- Achten Sie beim Benutzen von Hebebühnen darauf, dass sich montierte Sicherheitsräder außerhalb des Gefahrenbereichs befinden.
- Sichern Sie Ihr Sitzschalenuntergestell auf unebenem Gelände oder beim Umsteigen (z.B. ins Auto) durch Betätigen der Feststellbremse.
- Bei Oberschenkelamputation müssen die Sicherheitsräder verwendet werden.
- Achten Sie vor Fahrtantritt auf den korrekten Luftdruck der von Ihnen verwendeten Bereifung. Bei den Antriebsrädern muss er mindestens 3,5 bar (350 kPa) betragen. Der max. Luftdruck ist am Reifen angegeben.
- Die Kniehebelbremsen sind nur bei ausreichendem Reifendruck und korrekter Einstellung wirksam (siehe Kapitel "Feststellbremse").
- Die Feststellbremsen sind nicht dazu vorgesehen, den Rollstuhl während der Fahrt abzubremsen. Sie sichern den Rollstuhl gegen das Wegrollen. Wenn Sie auf unebenem Boden anhalten, ziehen Sie immer die Feststellbremsen an, damit der Stuhl nicht wegrollt. Ziehen Sie die Bremsen auf beiden Seiten an, sonst könnte der Stuhl kippen.
- Die Feststellbremsen sind nicht als Bremsen für den fahrenden Rollstuhl entworfen.
- Fahren Sie immer mit Aufzügen oder benutzen Sie Auffahrampen. Sollten diese nicht verfügbar sein, sollten Sie eine Begleitperson um Hilfe bitten. Sie sollten den Rollstuhl nur an fest montierten Teilen greifen. Wenn Sicherheitsräder angebracht sind, müssen sie weggeklappt werden. Der Rollstuhl darf mit Insassen nicht angehoben, sondern nur geschoben werden.



- Sollte die Sitz- und Rückenbespannung beschädigt sein, tauschen Sie diese bitte umgehend aus.
- Tragen oder heben Sie den Rollstuhl nicht an den Rückenrohren/Schiebegriffen oder an den Seitenteilen.
- Es dürfen ohne Genehmigung keine elektronischen Geräte, elektrische oder mechanisch betriebene Zusatzantriebe, Handbikes oder andere Vorrichtungen eingebaut werden, die die bestimmungsgemäße Verwendung oder den Aufbau des Rollstuhls verändern.
- Alle Kombinationen mit anderen Medizinprodukten müssen von Sunrise Medical genehmigt werden.
- Vorsicht beim Umgang mit Feuer, insbesondere brennenden Zigaretten. Sitz- und Rückenbespannung könnten sich entzünden.
- Wenn und wann immer möglich, sollten Fahrzeuginsassen während der Fahrt in einem Behindertentransportkraftwagen (BTW) die im Fahrzeug installierten Sitze und die dazugehörigen Rückhaltesysteme nutzen. Nur so sind Insassen bei einem Unfall optimal geschützt. Unter Verwendung der von SUNRISE MEDICAL angebotenen Sicherungselemente und dem Einsatz geeigneter Rückhaltesysteme, können die Leichtgewichtrollstühle als Sitz beim Transport im Behindertentransportkraftwagen genutzt werden. (Siehe Kapitel "Transport").
- Achten Sie stets darauf, dass die Steckachsen an den Antriebsrädern richtig eingestellt und eingerastet sind. Bei nicht gedrücktem Knopf der Steckachse darf sich das Antriebsrad nicht entfernen lassen.
- Bei Verwendung von Leichtmetallgreifringen kann es beim Abbremsen aus schneller Fahrt oder auf längeren Gefällestrecken zum Erhitzen der Greifringe kommen.
- Wenn der Rollstuhl längere Zeit direkter Sonneneinstrahlung ausgesetzt war, können Teile des Rollstuhls (z.B. Rahmen, Beinstützen, Bremsen und Seitenteil) heiß (>41°C) werden.
- Zur Vermeidung von Handverletzungen greifen Sie bei der Fahrt mit dem Rollstuhl nicht zwischen die Speichen oder zwischen das Antriebsrad und die Radbremse.
- Benutzen Sie für Fahrten im Außenbereich Lederhandschuhe, die die Griffigkeit erhöhen und die Finger vor Schmutz und Erhitzung schützen.
- Den Rollstuhl nicht an Gefällen > 10° verwenden.
- Die dynamische Stabilität an Gefällen hängt von der Konfiguration des Sitzschalenuntergestells, den Fertigkeiten und dem Fahrstil des Benutzers ab. Da die Fertigkeiten des Benutzers und der Fahrstil nicht vorherbestimmt werden können, kann der Höchstwert für das sichere Gefälle nicht bestimmt werden. Dieser muss vom Benutzer mit Hilfe einer Begleitperson ermittelt werden, um das Umkippen zu verhindern. Für unerfahrene Benutzer wird der Einbau von Sicherheitsrädern dringend empfohlen.
- Den Rollstuhl nicht auf schlammigem oder vereistem Grund verwenden.
- Den Rollstuhl nur dort verwenden, wo auch Fußgänger zugelassen sind.
- Bei allen beweglichen Teilen besteht immer die Gefahr, dass die Finger eingeklemmt werden können. Bitte immer vorsichtig handhaben
- Der Rollstuhl sollte nicht bei starkem Regenfall, Schnee, rutschigen oder unbefestigten Oberflächen benutzt werden.
- Benutzen Sie den Rollstuhl nicht in gefährlichen Umgebungen.

 **WARNUNG!**

ERSTICKUNGSGEFAHR – Diese Mobilitätshilfe enthält Kleinteile, die unter Umständen eine Erstickungsgefahr für kleine Kinder darstellen können.

 **WARNUNG!**

Anpassungen an Ihrem Rollstuhl, vor allem an sicherheitsrelevanten Bauteilen, müssen von einem autorisierten Fachhändler durchgeführt werden. Dies betrifft die Einstellung von Feststellbremsen, Sicherheitsrädern, Rückenwinkel- und höhe, Unterschenkellänge, Schwerpunkt, Beckengurt, Spur- und Sturz der Antriebsräder, Sitzhöhe sowie Nachlauf und Geradeauslauf der Lenkradgabel.

HINWEIS:

- Sowohl die Wirkung der Kniehebelbremse als auch das allgemeine Fahrverhalten sind vom Luftdruck abhängig. Mit korrekt aufgepumpten Antriebsrädern und gleichem Luftdruck auf beiden Rädern lässt sich Ihr Sitzschalenuntergestell wesentlich leichter und besser manövrieren.
- Achten Sie auf eine ausreichende Profiltiefe Ihrer Bereifung!
- Beachten Sie bitte, dass Sie bei Fahrten im öffentlichen Straßenverkehr der Straßenverkehrsordnung unterliegen.
- Tragen Sie im Dunklen möglichst helle Kleidung oder Kleidung mit Reflektoren, um besser gesehen werden zu können. Achten Sie darauf, dass die seitlich und rückwärtig am Rollstuhl angebrachten Reflektoren gut sichtbar sind. Wir empfehlen Ihnen auch das Anbringen einer aktiven Beleuchtung.
- Achten Sie bei Arbeiten oder bei Einstellung am Rollstuhl immer auf Ihre Finger!
- Die Rollstühle, die in diesem Handbuch abgebildet und beschrieben sind, entsprechen möglicherweise nicht in allen Einzelheiten genau Ihrem eigenen Modell. Dennoch sind alle Anweisungen trotz möglicher Detailunterschiede völlig relevant.
- Der Hersteller behält sich das Recht vor, Gewichte, Abmessungen oder andere in diesem Handbuch aufgeführte technische Daten ohne vorherige Benachrichtigung zu ändern. Alle in diesem Handbuch aufgeführten Zahlenangaben, Abmessungen und Kapazitäten sind ungefähr und stellen keine präzisen technischen Daten dar.

Lebensdauer

- Die vorgesehene Lebensdauer des Rollstuhls beträgt 5 Jahre.

2.0 Transport



Bei Nichtbeachtung dieser Ratschläge besteht die Gefahr von schweren Körperverletzungen und sogar Lebensgefahr!

Transport Ihres Rollstuhls in einem Fahrzeug:

Ein in einem Fahrzeug gesicherter Rollstuhl bietet nicht die gleiche Sicherheit wie das Sitzsystem eines Fahrzeugs. Wir empfehlen immer, soweit möglich, den Nutzer in einen festen Fahrzeugsitz umzusetzen. Wir erkennen an, dass dies in der Praxis nicht immer möglich ist. In diesem Fall müssen die folgenden Ratschläge beachtet werden, wenn der Benutzer im Sitzschalenuntergestell sitzend transportiert werden muss:

1. Überprüfen Sie, dass das Fahrzeug für den Transport eines Insassen in einem Rollstuhl ausgestattet ist und über einen für Ihren Rollstuhltyp geeigneten Zugang/Ausgang verfügt. Das Fahrzeug muss über eine ausreichende maximale Zuladung, d.h., das Körpergewicht des Benutzers und das Gewicht von Rollstuhl und Zubehör, verfügen.
2. Um den Rollstuhl herum sollte genügend Platz zur Verfügung stehen, damit das Rückhaltesystem des Rollstuhls und die Sicherheitsgurte für den Benutzer angelegt, festgezogen und wieder geöffnet werden können.
3. Wenn sich der Benutzer im Rollstuhl befindet, muss dieser vorwärts gerichtet stehen und mit den Befestigungsgurten für den Rollstuhl und den Sicherheitsgurten des Rollstuhls (Befestigungsgurte gemäß WTORS müssen den Anforderungen von ISO 10542 oder SAE J2249 entsprechen) gemäß der Gebrauchsanweisung des Herstellers des Rückhaltesystems (WTORS) befestigt werden.
4. Das Sitzschalenuntergestell wurde für den Transport in einem Fahrzeug in einer anderen Stellung nicht geprüft, so darf z.B. das Sitzschalenuntergestell keinesfalls seitlich gerichtet transportiert werden (Fig. A).
5. Der Rollstuhl muss mit einem Rückhaltesystem gemäß ISO 10542 oder SAE J2249 mit nicht verstellbaren Gurten vorne und verstellbaren Gurten hinten gesichert werden, dabei handelt es sich normalerweise um Karabinerhaken/ S-förmige Haken sowie um Steckverschlüsse. Die Rückhaltesysteme bestehen normalerweise aus 4 Einzelgurten, die an den vier Ecken des Rollstuhls befestigt werden.
6. Das Rückhaltesystem muss wie auf der nächsten Seite abgebildet am Fahrgestell des Rollstuhls und nicht an Anbauten oder Zubehör, z.B. nicht um die Speichen der Räder, die Bremse oder Fußraste befestigt werden.
7. Das Rückhaltesystem muss so nah wie möglich mit einem Winkel von 45 Grad angebracht und gemäß der Bedienungsanleitung des Herstellers sicher befestigt werden.
8. Ohne Rücksprache mit dem Hersteller dürfen an den Befestigungspunkten des Rollstuhls oder an Bauteilen des Fahrgestells und des Rahmens keine Änderungen vorgenommen bzw. diese nicht ausgewechselt werden. Bei Nichtbeachtung dieser Vorgabe dürfen Sunrise Medical Rollstühle nicht in Fahrzeugen transportiert werden.
9. Der Benutzer muss sowohl mit dem Beckengurt als auch mit dem Schultergurt angeschnallt werden, um die Wahrscheinlichkeit eines Aufpralls von Kopf und Brust auf die Bauteile des Fahrzeugs und schwere Körperverletzungen beim Benutzer und anderen Fahrzeuginsassen zu verringern. (Fig. B) Der Schultergurt muss an der "B"-Säule des Fahrzeugs befestigt werden - bei Nichtbeachtung erhöht sich die Gefahr von schweren Bauchverletzungen für den Benutzer.
10. Eine für den Transport geeignete Kopfstütze (siehe Aufkleber an der Kopfstütze) muss eingebaut und während des Transports stets richtig angebracht sein.
11. Haltevorrichtungen (Beckenriemen, Beckengurte) dürfen bei der Fahrt nur zur Sicherung des Rollstuhlbenutzers verwendet werden, wenn auf dem Etikett angegeben ist, dass sie die Anforderungen von ISO 7176-19:2001 oder SAE J2249 erfüllen.
12. Die Sicherheit des Benutzers während des Transports hängt von der Sorgfalt ab, mit der das Rückhaltesystem befestigt wird, die Person, von der die Befestigung ausgeführt wird, sollte in der Bedienung des Systems unterwiesen bzw. geschult sein.
13. Soweit möglich sollten alle Hilfsmittel vom Rollstuhl abgenommen und sicher verstaut werden wie etwa:
14. Krücken, lose Kissen und Therapietische.
15. Hochschwenkbare/höhenverstellbare Fußrasten dürfen nicht hochgestellt sein, wenn der Benutzer im Rollstuhl sitzend transportiert wird und der Rollstuhl mit einem Rückhaltesystem und Sicherheitsgurt gesichert ist.
16. Verstellbare Rücken müssen in die aufrechte Position gebracht werden.
17. Die manuelle Bremse muss fest angezogen werden.
18. Die Sicherheitsgurte müssen an der "B"-Säule des Fahrzeugs angebracht werden und dürfen nicht durch Rollstuhlteile wie Armauflagen oder Räder vom Körper ferngehalten werden.

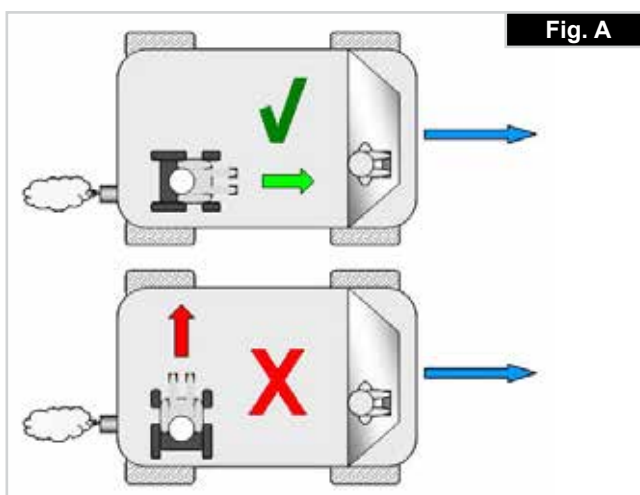


Fig. A

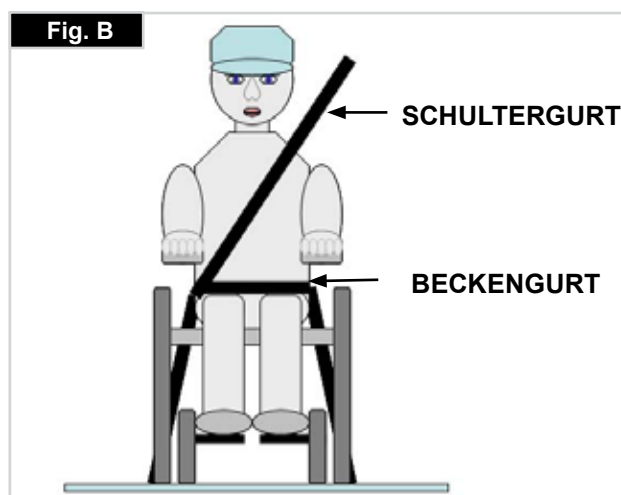


Fig. B

Anleitung für das Anschnallen des Rollstuhlbenutzers:

1. Der Beckengurt muss unten an der Vorderseite des Beckens getragen werden, so dass der Winkel des Beckengurtes innerhalb des bevorzugten Bereichs von 30 bis 75 Grad zur Horizontalen liegt.
2. Ein steilerer (größerer) Winkel innerhalb des bevorzugten Bereichs ist wünschenswert, d.h., näher an 75°, aber keinesfalls darüber. (Fig. C).
3. Der Schultergurt muss wie in Fig. D und E gezeigt über die Schulter und quer über die Brust passen.
4. Sicherheitsgurte müssen so fest wie möglich sitzen ohne den Benutzerkomfort zu beeinträchtigen.
5. Sicherheitsgurte dürfen beim Gebrauch nicht verdreht sein.
6. Der Schultergurt muss wie in Fig. D und E gezeigt über die Schulter und quer über die Brust passen.
7. Die Befestigungspunkte am Rollstuhl befinden sich am vorderen inneren Seitenteil des Fahrgestells direkt über dem Lenkrad und am hinteren Seitenteil des Fahrgestells. Die Gurte werden um die Seitenteile des Fahrgestells an der Stelle befestigt, an der das waagrechte und das senkrechte Rohr aufeinandertreffen. (Siehe Fig. G - H)
8. Die Position der Befestigungsgurte für den Rollstuhl ist mit dem Symbol für den Befestigungspunkt (Fig. F) markiert. Wenn die vorderen Gurte zur Befestigung des Rollstuhls angebracht sind, werden die Gurte gestrafft.

KÖRPERGEWICHT DES BENUTZERS UNTER 22 kg (48 lb 8.0 oz)

Wenn ein Kind mit einem Körpergewicht von unter 22 kg befördert wird und weniger als acht (8) Insassen im Fahrzeug sitzen, wird empfohlen, ein Rückhaltesystem für Kinder (CRS) gemäß UNCE Regulation 44 zu verwenden.

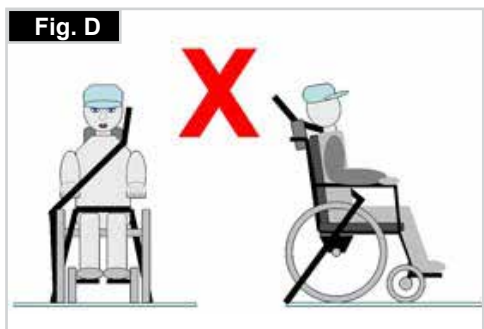
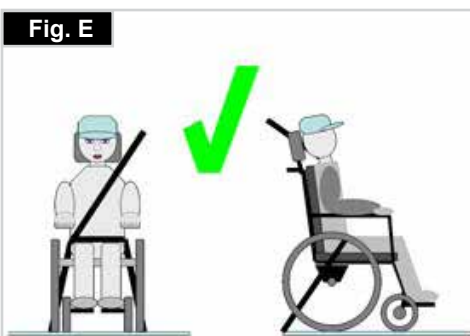
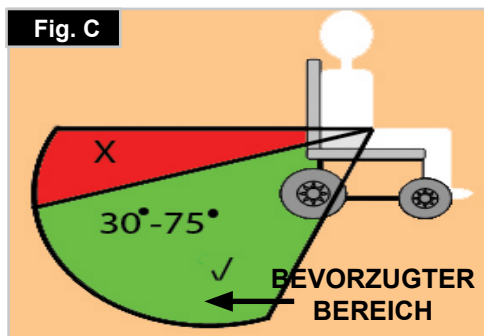
Diese Art von Rückhaltesystem bietet einen wirksameren Schutz als der normale Dreipunkt-Sicherheitsgurt in Fahrzeugen und manche Rückhaltesysteme für Kinder verfügen auch über zusätzliche Haltevorrichtungen, die dazu beitragen, die Sitzhaltung des Kindes aufrecht zu erhalten.

Eltern oder Therapeuten können unter bestimmten Umständen auch erwägen, dass ihr Kind während der Fahrt im Rollstuhl sitzen bleibt, da der Rollstuhl für eine bessere Haltungskontrolle sorgt und mehr Komfort bietet.

In diesem Fall empfehlen wir, dass Ihr Gesundheitspfleger und sachkundige Personen eine Risikoanalyse durchführen.

Transportfähigkeit – Lage der Befestigungspunkte für das Rückhaltesystem am Rollstuhl

- Der Rollstuhl mit den Gurten des Rückhaltesystems für Rollstühle vorne befestigt. (Fig. G).
- Lage des hinteren Befestigungspunkts für das Rückhaltesystem (Fig. H).



DIESE GARANTIE BESCHRÄNKT IHRE GESETZLICHEN RECHTE IN KEINER WEISE.

Sunrise Medical* gewährt ihren Kunden weltweit auf ihre Rollstühle eine Garantie zu den folgenden

Garantiebedingungen

1. Sollte ein Teil oder sollten Teile des Rollstuhls als Folge eines Herstellungs- und/oder Materialfehlers innerhalb von 24 Monaten bzw. bei Rahmen- und Kreuzstreben innerhalb von 5 Jahren nach der Auslieferung an den Käufer eine Reparatur oder einen Austausch benötigen, wird das betroffene Teil bzw. werden die betroffenen Teile repariert oder kostenlos ausgetauscht.
2. Zur Geltendmachung der Garantie benachrichtigen Sie umgehend den Sunrise Medical Kundendienst mit genauen Angaben zur Art der Schwierigkeiten. Sollten Sie den Rollstuhl außerhalb des Zuständigkeitsbereichs des Sunrise Medical Kundendienstes verwenden, werden Reparatur oder Austausch von einem anderen vom Hersteller bezeichneten Kundendienst ausgeführt. Der Rollstuhl muss von einem zuständigen Sunrise Medical Kundendienst (Händler) repariert werden.
3. Für Teile, die im Rahmen dieser Garantie repariert oder ausgetauscht werden, gewähren wir eine Garantie nach diesen Garantiebedingungen für die für den Rollstuhl verbleibende Garantiedauer nach Ziffer 1).
4. Für Originalersatzteile, die auf Kosten des Käufers eingebaut werden, gewähren wir 24 Monate Garantie ab dem Einbau nach diesen Garantiebedingungen (für Batterien gilt davon abweichend jedoch nur eine verringerte Garantiezeit von 12 Monaten).
5. Verschleißteile wie Polster, Reifen, Schläuche, Bespannungen und ähnliche Teile sind von der Garantie ausgeschlossen, es sei denn es liegt eine vorzeitige Abnutzung des Teils vor, die direkt auf einen Herstellungsfehler zurückzuführen ist.
6. Ansprüche aus dieser Garantie entfallen, wenn eine Reparatur oder ein Ersatz des Rollstuhls oder eines Teiles aus den folgenden Gründen erforderlich ist:
 - a) Das Produkt oder das Teil wurde nicht gemäß den in der Betriebsanleitung und/oder dem Service-Handbuch aufgeführten Empfehlungen des Herstellers gepflegt oder gewartet.
 - b) Es wurde Zubehör verwendet, bei dem es sich nicht um Originalzubehör handelte.
 - c) Der Rollstuhl oder ein Teil des Rollstuhls wurde durch Nachlässigkeit, Unfall oder unsachgemäße Verwendung beschädigt.
 - d) Es wurden Änderungen/Modifikationen am Rollstuhl oder an Teilen vorgenommen, die von unseren Herstellerspezifikationen abweichen.
 - e) Es wurden Reparaturen durchgeführt, bevor unser Kundendienst über den jeweiligen Sachverhalt informiert wurde.
7. Diese Garantie unterliegt dem Recht des Landes indem das Produkt von Sunrise Medical gekauft worden ist.

* Bedeutet der Sunrise Medical Standort von dem das Produkt gekauft wurde.

4.0 Handhabung

Steckachsen beim Antriebsrad

Die Hinterräder sind mit Steckachsen ausgestattet. Damit können die Räder ohne Werkzeug montiert und abgenommen werden. Zum Abnehmen des Rads den Arretierknopf an der Achse (1) drücken und das Antriebsrad herausziehen (Fig. 3).



Halten Sie bei der Montage der Hinterräder den Steckachsenknopf auf der Achse niedergedrückt, wenn Sie die Achse in den Rahmen stecken. Beim Loslassen des Knopfs rastet die Achse ein, und der Schnellverschlussknopf springt in seine Ausgangsposition zurück.

Transportieren des Rollstuhls

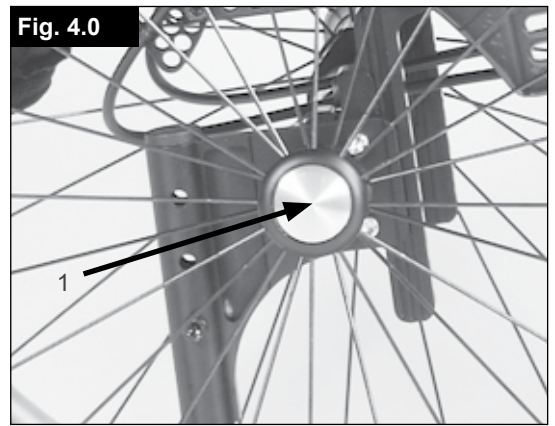
Um den Stuhl so kompakt wie möglich zu halten, können Sie die Hinterräder abnehmen.

Die Rückenlehne kann nach unten geklappt werden, dazu die Schnur an der Rückenlehne ziehen.

Zum Tragen des unbesetzten Rollstuhles sollte der Stuhl vorn an der Bespannung und an den Schiebegriffen hochgehoben werden.

Beim Transport des unbesetzten Rollstuhls in einem Fahrzeug sollte dieser sicher verzurt oder angeschnallt werden.

Fig. 4.0



5.0 Optionen

Ankippbügel

Zum Ankippen eines Rollstuhls durch eine Begleitperson benutzt man einen Ankippbügel. Um den Rollstuhl zum Beispiel auf einen Bordstein oder eine Stufe zu schieben, tritt man einfach mit dem Fuß auf den Bügel, (Fig. 5.1).

Bremse



Die Bremswirkung kann durch falsche Montage und Einstellung der Bremse sowie durch einen zu niedrigen Reifendruck beeinträchtigt werden.

Feststellbremsen

Ihr Sitzschalenuntergestell ist mit zwei Feststellbremsen ausgestattet, die direkt gegen die Räder geführt werden. Um die Feststellbremsen anzuziehen, drücken Sie beide Bremshebel nach vorn, gegen den Anschlag. Zum Loslassen der Bremse ziehen Sie die Hebel zurück in ihre Ausgangsposition.

Die Bremsen sind weniger wirksam bei:

- abgefahretem Reifenprofil
- zu niedrigem Reifendruck
- nassen Reifen
- inkorrektener Einstellung

Die Feststellbremsen sind nicht als Bremsen für das fahrende Sitzschalenuntergestell entworfen. Die Feststellbremsen dürfen daher nicht zum Abbremsen des Stuhls verwendet werden. Benutzen Sie dazu immer die Hände. Achten Sie darauf, dass der Abstand zwischen den Reifen und den Feststellbremsen mit den angegebenen Spezifikationen übereinstimmt. Der Abstand wird justiert, indem Sie die Schraube (1) lockern und den richtigen Abstand einstellen. Die Schrauben dann wieder anziehen (siehe Seite "Drehmoment") (Fig. 5.2).

Standardbremse

(Fig. 5.3)

Fig. 5.1



Fig. 5.2



Fig. 5.3



Kompaktbremse

Die Kompaktbremse befindet sich unter der Sitzbespannung und wird betätigt, indem die Bremse in Richtung des Reifens nach hinten gezogen wird. Damit die Bremse richtig funktioniert, muss sie bis zum Anschlag gezogen werden (Fig. 5.4).



VORSICHT!

- Wenn die Feststellbremse falsch montiert ist, erfordert die Betätigung einen höheren Kraftaufwand. Dadurch kann es zum Bruch des Verlängerungshebels für die Feststellbremse kommen!
- Die Befestigungsschrauben der Bremse dürfen nicht gelockert und/oder nachgezogen werden.

Safari Radbremse (in das Seitenteil integrierte Bremse):

Zum Betätigen der Safari Radbremse den Hebel nach vorne (vom Körper des Patienten weg) drücken.

Um die Bremse zu lösen, den Hebel in Richtung Körper zurückziehen (Fig. 5.5).

Bremshebelverlängerung

Mit einem längeren Hebel brauchen Sie weniger Kraft, um die Feststellbremsen zu betätigen.

Die Bremshebelverlängerung ist mit der Bremse verschraubt.

Durch Hochziehen kann diese nach vorne geklappt werden (Fig. 5.6).



VORSICHT!

Wenn die Feststellbremse falsch montiert ist, erfordert die Betätigung einen höheren Kraftaufwand. Dadurch kann der Verlängerungshebel abbrechen!

Einstellen der Fußplatte



VORSICHT!

- Nicht auf dem Fußbrett stehen! Auch wenn der Fahrer im Rollstuhl sitzt, besteht Kipp- und Verletzungsgefahr.
- Beim Transfer nicht auf dem Fußbrett stehen, es besteht Kipp- und Verletzungsgefahr.

Einstellen der Fußraste

Durch Abnehmen der Schraube (1) können Sie die Fußraste auf die Länge Ihres Unterschenkels einstellen und die Fußraste wieder befestigen. Die Fußraste ist winkelverstellbar (gilt nicht für Fußrasten mit Bügel) und kann durch Lockern der Schrauben (2) individuell eingestellt werden. Der Seitenschutz an der Fußraste verhindert ein unbeabsichtigtes Abrutschen der Füße. Achten Sie darauf, dass nach Anpassungen alle Schrauben wieder richtig angezogen werden (siehe Seite zum Drehmoment) (Fig. 5.7).

Fußraste hochschwenkbar:

Die Fußraste kann nach hinten hochgeklappt werden, um das Einsteigen in bzw. Aussteigen aus dem Rollstuhl zu erleichtern. Zum Hochklappen der Fußraste den vorderen Teil anheben. Um die Fußraste wieder in die Ausgangsstellung zurück zu stellen, muss der vordere Teil nach unten geklappt werden (Fig. 5.8).

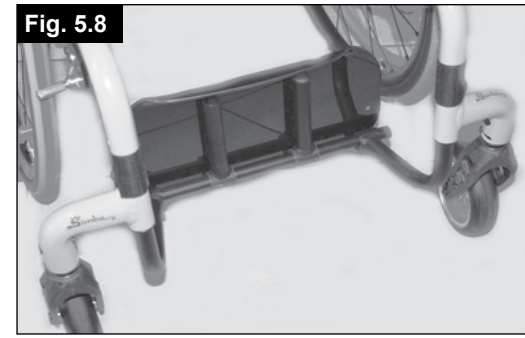
Fußraste hochmontiert:

Die hohe Fußraste wird innen am Rahmen angebracht und ermöglicht eine höhere Position als bei der Standard-Fußraste (Fig. 5.9).



VORSICHT!

Die verwendeten Schrauben sind werksseitig mit einer Schraubensicherung versehen und darf nach dem Einbau 5 x justiert werden. Danach sollten sie ausgetauscht oder alternativ mit Schraubensicherung „mittelfest“ neu gesichert werden.



Lenkrad

Lenkrad, Lenkrad-Adapter, Lenkradgabel

Es kann vorkommen, dass der Rollstuhl einen leichten Rechts- bzw. Linksdrall hat oder die Lenkräder flattern.

Das kann folgende Gründe haben:

- Der Radlauf vorwärts oder rückwärts ist nicht richtig eingestellt.
- Die Einstellung des Sturzes stimmt nicht.
- Der Luftdruck im Lenkrad und /oder Hinterrad ist nicht korrekt; die Räder drehen sich nicht ausreichend.

Die optimale Einstellung der Lenkräder bildet die Voraussetzung für den Geradeauslauf des Rollstuhls.

Die Laufräder müssen immer von einem zugelassenen Fachhändler eingestellt werden. Jedes Mal, wenn die Hinterradposition geändert wurde, müssen die Laufradplatten neu eingestellt und die Feststellbremsen überprüft werden.

Einstellen des Lenkrads

Um sicherzustellen, dass beide Gabeln parallel eingestellt sind, zählen Sie einfach die sichtbaren Zähne auf beiden Seiten. Nach dem Einstellen der Lenkradgabel gewährleistet die Verzahnung den festen Halt und ermöglicht eine Verstellung um 16° in 2° Schritten. Überprüfen Sie die rechtwinklige (90°) Einstellung zum Boden an der flachen Seite.

Das patentierte Design ermöglicht die Drehung der Lenkradgabel, so dass die Lenkradgabel im rechten Winkel zum Boden nachgestellt werden kann, wenn die Sitzneigung verändert wird, (Fig. 5.10 + 5.11).

Geradeauslauf einstellen

Die Inbusschrauben (1) an der Unterseite der Gabel lösen. Sie können dann die Schraube abnehmen (2). Die schwarze Buchse (3) kann jetzt nach links oder rechts gedreht werden.

Links – Rollstuhl zieht nach links

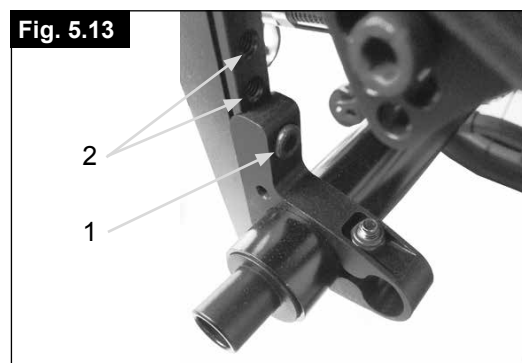
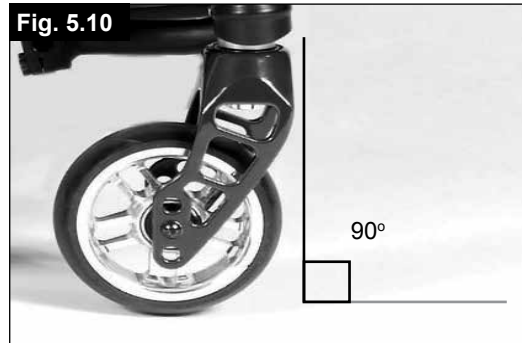
Rechts – Rollstuhl zieht nach rechts

Dann die Schraube (2) wieder anziehen. Stellen Sie die Gabel in einem 90° Winkel zum Boden ein.

Dann die Schraube (1) wieder anziehen. (Fig. 4.16).

⚠ VORSICHT!

Die verwendeten Schrauben sind werksseitig mit einer Schraubensicherung versehen und darf nach dem Einbau 5 x justiert werden. Danach sollten sie ausgetauscht oder alternativ mit Schraubensicherung „mittelfest“ neu gesichert werden.



Sitz

Einstellen der Sitzhöhe

Zum Verstellen der Sitzhöhe hinten die Inbusschraube (1) (eine pro Seite), mit denen die Klemme (2) an den Achsplatten befestigt ist, lösen und abnehmen. Stellen Sie die beiden Klemmen der Radsturzhorns (2) auf die gewünschte Höhe ein und setzen Sie die zwei Inbusschrauben wieder ein. Führen Sie vor dem Festziehen der Schrauben die Anleitung für das Einstellen des Vor-/Nachlaufs aus.

Die Schrauben auf 10 Nm anziehen. (Fig. 5.13)

⚠ VORSICHT!

- Beim Verstellen der hinteren Sitzhöhe kann es zu Veränderung Lenkradwinkels kommen, der danach neu eingestellt werden muss.
- Die verwendeten Schrauben sind werksseitig mit einer Schraubensicherung versehen und darf nach dem Einbau 5 x justiert werden. Danach sollten sie ausgetauscht oder alternativ mit Schraubensicherung „mittelfest“ neu gesichert werden.

Radspur

Verstellen der Radspur

Wichtig: Nur durch optimal eingestellte Antriebsräder wird das beste Rollverhalten erzielt. Dies wird durch die korrekte Einstellung der Radspur gewährleistet.

Messen Sie dazu hinten und vorne den Abstand zwischen den beiden Rädern, um sicherzustellen, dass sie parallel zueinander stehen. Der Unterschied zwischen den beiden Maßen sollte nicht mehr als 5 mm betragen.

Der Parallelstand der Räder kann durch Lösen der Schrauben und Drehen der Achsaufnahme eingestellt werden. Achten Sie darauf, dass nach den Umbauarbeiten alle Schrauben fest angezogen sind (siehe Seite Anzugsmomente).

SIMBA Spureinstellung

Einstellen des Vor-/Nachlaufs auf Null:

HINWEIS: Ein Rollstuhl mit 0° Radsturz-Adapter kann keine Vor- oder Nachspur haben. Diese Einstellung ist nur bei 3°, 6° und 9° Radsturz erforderlich.

Mit dem Begriff „Vorspur bzw. Nachspur“ wird definiert, wie gut die Hinterräder des Rollstuhls zum Boden ausgerichtet sind. Davon ist abhängig, wie gut der Stuhl rollt. Ein normaler Fahrwiderstand oder Rollwiderstand ist gegeben, wenn der Radlauf auf Null gestellt ist.

So stellen Sie die Vorspur/Nachspur auf Null: Lösen Sie die Inbusschraube (1) (1 pro Seite), mit der die Klemme gesichert ist. Achten Sie auf die Kugel in der Horizontalen (2) und drehen Sie das Achsrohr (3), bis sich die Kugel in der Mitte befindet. Der Radlauf beträgt jetzt Null.

Bevor Sie die Schrauben (1) wieder festziehen, prüfen Sie, dass das Sturzrohr links-rechts zentriert ist. Der Abstand sollte auf beiden Seiten gleich sein bzw. es sollte kein Abstand vorhanden sein. Die Schrauben auf 10 Nm anziehen (Fig. 5.14 - 5.16).

Fig. 5.14

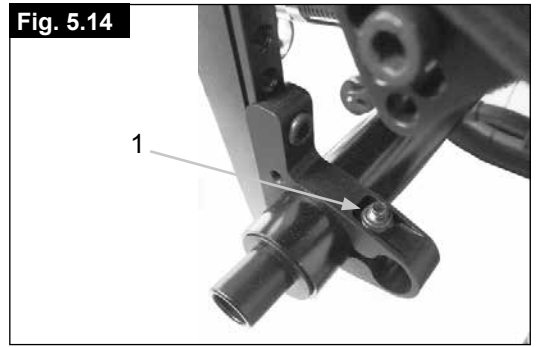
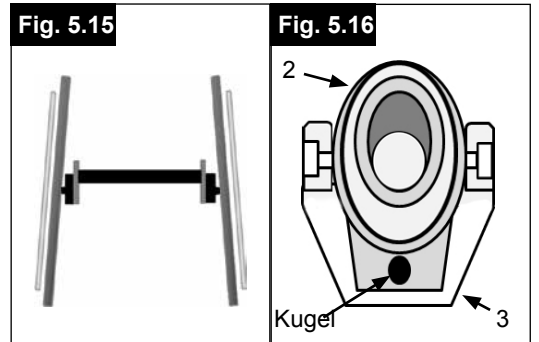


Fig. 5.15



Breitenverstellung des Radstandes

⚠ VORSICHT!

Beim Einstellen des Radstandes hinten zuerst ein Rad und dann das andere einstellen. Wenn beide Seiten gleichzeitig gelöst werden, wird die Einstellung der Vorspur/Nachspur geändert. Beim Einstellen des Radabstandes hinten bewegen sich die Steckteile des Sturzes (4) teleskopartig in das Sturzrohr hinein bzw. aus dem Sturzrohr (5) heraus und rasten jeweils am Ende des Weges ein. Die Schraube (6) (dem Radsturzrohr am nächsten gelegen) an der linken Seite des Rollstuhls lockern.

Die Steckachse nach innen oder außen verschieben, bis der gewünschte Radabstand erreicht ist. Die Schrauben auf 10 Nm anziehen. Den Vorgang auf der rechten Seite des Rollstuhls wiederholen und den gleichen Abstand wie auf der linken Seite einstellen (Fig. 5.17).

⚠ VORSICHT!

Die verwendeten Schrauben sind werksseitig mit einer Schraubensicherung versehen und darf nach dem Einbau 5 x justiert werden. Danach sollten sie ausgetauscht oder alternativ mit Schraubensicherung „mittelfest“ neu gesichert werden.

Fig. 5.17



Rücken

Winkelverstellbarer Rücken

Der Rückenwinkel wird durch die Änderung der Position der Rückenhalterung verstellt. Dazu müssen die Schrauben (1) gelöst und an beiden Seiten abgenommen werden. Die Rückenhalterung jetzt so verstellen, bis der gewünschte Winkel erreicht ist. Dann müssen die Schrauben (1) wieder angezogen und gesichert werden (Fig. 5.18)



VORSICHT!

Die Schrauben müssen wieder festgezogen werden. Sonst geht die Winkeleinstellung verloren.

Faltbarer Rücken

Den Rücken durch Ziehen an der Schnur lösen und gleichzeitig nach vorne schieben, um ihn nach unten zu klappen. Um den Rücken wieder in die Ausgangsstellung zu bringen, muss dieser soweit nach hinten gezogen werden, bis er auf beiden Seiten einrastet.



GEFAHR!

Wenn der Rücken zu weit nach hinten gezogen wird, besteht die Gefahr, dass der Benutzer beim Bremsen nach hinten fällt. Achten Sie deshalb darauf, dass der Rücken an beiden Seiten einrastet.



WARNUNG!

Beim Herunterklappen des Rückens bitte darauf achten, dass Ihre Finger nicht eingeklemmt werden.

Rücken in der Entspannungsstellung

Mit einem Rückenwinkel von 10° wird eine Entspannungsstellung erzielt. Ziehen Sie an der Schnur am Rücken, um ihn zu entriegeln und ziehen Sie ihn dann soweit nach hinten, dass beide Rückenrohre einrasten.



WARNUNG!

Wenn der Rücken zu weit nach hinten gezogen wird, besteht die Gefahr, dass der Benutzer beim Bremsen nach hinten fällt. Achten Sie deshalb darauf, dass der Rücken an beiden Seiten einrastet.



WARNUNG!

Beim Herunterklappen des Rückens bitte darauf achten, dass Ihre Finger nicht eingeklemmt werden.

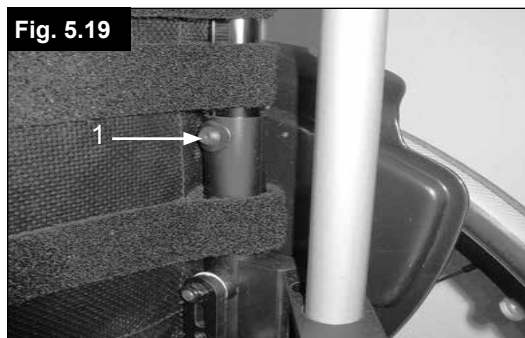
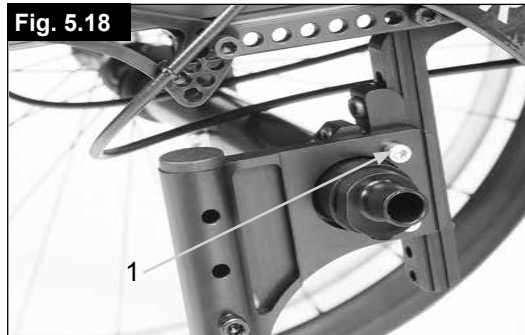
Anpassbare Rückenbespannung

Die anpassbare Rückenbespannung kann an mehreren Bändern in der Spannung angepasst werden. Die Polsterung der Rückenbespannung ist von der Innenseite durch eine Öffnung erreichbar und kann individuell ausgepolstert werden.

Höhenverstellbare Rückenlehne

Die Höhe des Rückens kann in 2,5 cm Schritten auf verschiedene Höhen eingestellt werden.

Die Einstellbereiche sind 20-25 cm, 25-30 cm, 30-35 cm und 35-40 cm. Die Schrauben (1) lösen und den Rücken auf die gewünschte Höhe einstellen. Die Schrauben wieder festziehen (siehe die Seite zu Drehmoment) (Fig. 5.19).



Seitenteil

Die Seitenteile des SIMBA wurden in erster Linie für die neue, in das Seitenteil integrierte Bremse entwickelt. Wenn Sie die in das Seitenteil integrierte Bremse nicht bestellt haben, befinden sich in den Öffnungen am Seitenteil Abdeckungen, (Fig. 5.20).



WARNUNG!

Wenn das Seitenteil ohne die Abdeckungen benützt wird, besteht Verletzungsgefahr. Wenn die in das Seitenteil integrierte Bremse nicht eingebaut ist, muss die Abdeckung aufgesetzt werden.

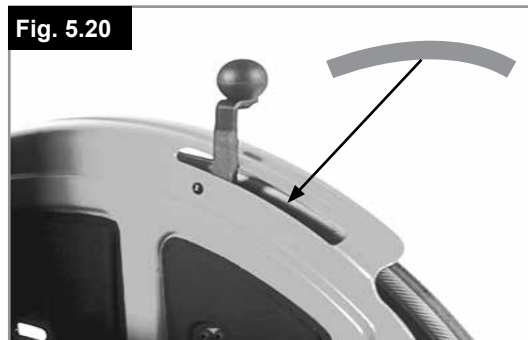
Armauflage

Die Armauflage wird an der im Seitenteil vorgesehenen Stelle festgeschraubt. Die Armauflage ist höhenverstellbar.

Therapietisch

Ein Therapietisch darf nur zusammen mit der Armauflage verwendet werden. Er wird an der Armauflage befestigt und liegt auf beiden Armauflagen auf.

Fig. 5.20



Schiebegriff



GEFAHR!

Der Rollstuhl darf mit Insassen nicht angehoben, sondern nur geschoben werden.

Höhenverstellbare Schiebegriffe

Die Schiebegriffe sind mit Stiften gesichert, damit sie nicht herausrutschen können. Durch Öffnen des Spannhebels (1) kann die Höhe der Schiebegriffe (2) individuell eingestellt werden. Wenn der Hebel bewegt wird, hören Sie, wie er einrastet, der Schiebegriff kann leicht in die gewünschte Position gebracht werden.

Mit der Mutter am Spannhebel wird eingestellt, wie fest die Schiebegriffe geklemmt werden. Wenn die Mutter nach dem Einstellen des Spannhebels lose ist, sitzt der Schiebegriff auch zu locker. Vor dem Gebrauch den Schiebegriff drehen, um sicherzustellen, dass er fest genug geklemmt ist. Nach der Höheneinstellung der Griffe den Spannhebel (1) wieder gut festklemmen. Wenn der Hebel nicht gesichert ist, kann es beim Befahren von Stufen zu Verletzungen kommen (Fig. 5.21 + 5.21.1).



VORSICHT!

Wenn die höhenverstellbaren Schiebegriffe nicht richtig angebracht werden, besteht die Gefahr, dass sie "Spiel" bekommen oder dass sie sich verstellen. Bitte darauf achten, dass die entsprechenden Schrauben fest angezogen sind.

Fig. 5.21



Fig. 5.21.1

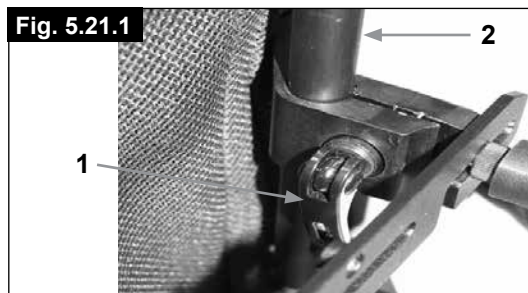
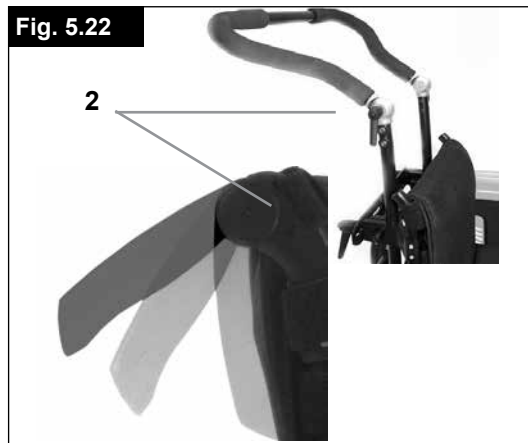


Fig. 5.22



Abklappbare Schiebegriffe/Schiebegriffstange

Wenn die Schiebegriffe nicht benötigt werden, können sie durch Lösen der Hebel (2) nach unten geklappt werden. Wenn sie wieder benötigt werden, klappen Sie die Schiebegriffe einfach hoch, bis sie einrasten und stellen Sie die Hebel fest (Fig. 5.22).

Sicherheitsräder

Sunrise Medical empfiehlt Sicherheitsräder für alle Rollstühle. Bei der Montage von Sicherheitsrädern ein Drehmoment von 16 Nm verwenden (Fig. 5.23)

1. Einschieben der Sicherheitsräder in die Klemme:

- Drücken Sie den hinteren Knopf am Adapter für das Sicherheitsrad so, dass beide Auslösestifte nach innen gezogen werden.
- Schieben Sie die Sicherheitsräder (1) in den Adapter für das Sicherheitsrad.
- Drehen Sie die Sicherheitsräder nach unten, bis der Auslösestift in der Klemme einrastet.
- Das zweite Sicherheitsrad genauso einbauen.

2. Einstellen der Sicherheitsräder:

Um den richtigen Bodenabstand von ca. 1" bis 2" (2,5 cm bis 5,0 cm) zu erzielen, müssen die Sicherheitsräder höher bzw. niedriger eingestellt werden.

- Drücken Sie den Auslöseknopf für das Sicherheitsrad so, dass beide Auslösestifte nach innen gezogen werden.
- Verschieben Sie das Innenrohr nach oben oder unten in die Löcher für die Höhenverstellung.
- Lassen Sie den Knopf wieder los.
- Das zweite Sicherheitsrad genauso einbauen.
- Beide Räder müssen sich auf gleicher Höhe befinden.



Falls die Sicherheitsräder nicht eingebaut oder falsch eingebaut sind, besteht Kipp- und Verletzungsgefahr.

Fig. 5.23

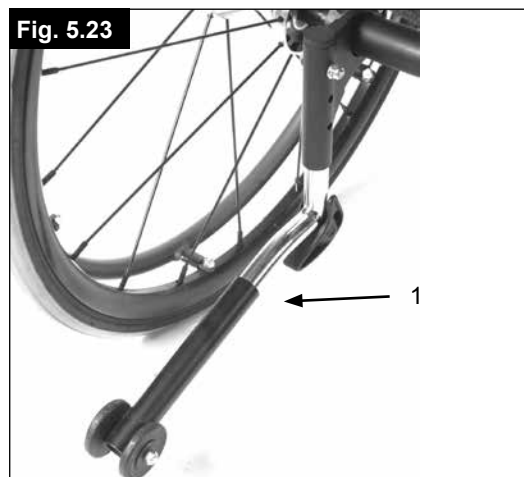


Fig. 5.24



Sitz

Sitzbespannung:

Nehmen Sie die Schrauben an der linken Seite der Bespannung ab. Verschieben Sie die VELCRO® Klettstreifen, um die Spannung der Bespannung zu erhöhen. Die Schrauben wieder festziehen. Wenn Sie beim Einsetzen der Schrauben Probleme haben, versuchen Sie, die Löcher mit einem spitzen Gegenstand zu finden. Achten Sie vor dem Festziehen der Schrauben darauf, dass sich die Kunststoffunterlage an der richtigen Stelle befindet, (5.24).

Sitzbreiten- und Sitztiefenwachstum

Sitzbreitenwachstum:

Die Sitzbreite kann ohne neue Teile um 2cm vergrößert werden:

- Die Schrauben an der Fußraste, an der Achse sowie an den zwei Stabilisierungsstangen am Rücken sowie unter dem Sitz müssen gelöst werden.
- Die teleskopierbaren Rohre der Fußraste, der Stabilisierungsstangen und der Achsrohre müssen entsprechend der neuen Sitzbreite herausgezogen werden. Die Schrauben müssen dann wieder festgezogen werden.
- Die Rücken- und Sitzbespannung müssen mit dem Klettverschluss gelockert und auf die nächst größere Sitzbreite eingestellt werden.

Sitztiefenwachstum:

Die Sitztiefe kann ohne neue Teile um 4cm vergrößert werden:

Lösen und entfernen Sie die Schrauben, (A - Fig. 5.25), auf beiden Seiten des Rollstuhls am Sitzrahmen und verschieben Sie das komplette Bauteil inklusive Rückenrohren auf die gewünschte Position.

Setzen Sie die Schrauben "A" wieder ein und ziehen Sie fest.

Fig. 5.25

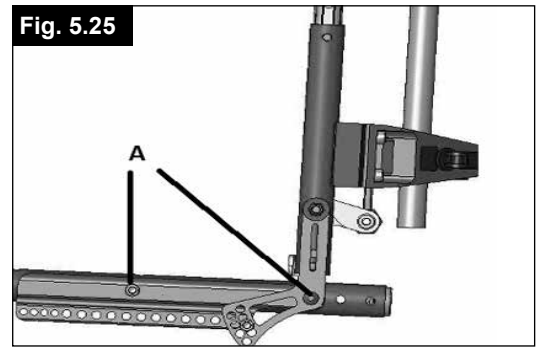


Fig. 5.26



Fig. 5.27



Stockhalter

Stockhalter

Mit dieser Vorrichtung können Gehhilfen direkt am Rollstuhl transportiert werden. Mit einer Klettschleife können Gehhilfen und andere Hilfsmittel befestigt werden, (5.26).



Versuchen Sie niemals während der Fahrt die Gehhilfen oder andere Hilfsmittel aus dem Halter zu nehmen.

Reifen und Montage

Vollgummireifen gehören zur Standardausstattung, (5.27).



Beim Einbau von Luftreifen:

Stellen Sie bei Luftreifen immer sicher, dass sie den richtigen Luftdruck aufweisen, da sonst die Leistung des Rollstuhls beeinträchtigt werden kann. Wenn der Druck zu niedrig ist, erhöht sich die Reibung beim Fahren, und der Antrieb erfordert größeren Kraftaufwand. Auch die Manövrierfähigkeit wird von einem zu niedrigen Reifendruck beeinträchtigt. Wenn der Druck zu hoch ist, kann der Reifen platzen. Auf der Reifenoberfläche ist jeweils der korrekte Luftdruck angegeben.

Die Reifen werden wie gewöhnliche Fahrradreifen montiert. Bevor Sie den inneren Schlauch einlegen, achten Sie darauf, dass die Felge und die Innenseite des Reifens von Schmutzpartikeln frei sind. Nach der Montage oder Reparatur des Reifens, muss der Luftdruck geprüft werden. Für Ihre eigene Sicherheit und für die optimale Leistung des Stuhls ist es äußerst wichtig, dass sich die Reifen in gutem Zustand befinden und den vorgeschriebenen Druck aufweisen.

6.0 Unterstützung an der Seite und vorne (Beckengurt)

GEFAHR!

Vor dem Gebrauch des Rollstuhls sicherstellen, dass der Beckengurt angelegt ist.

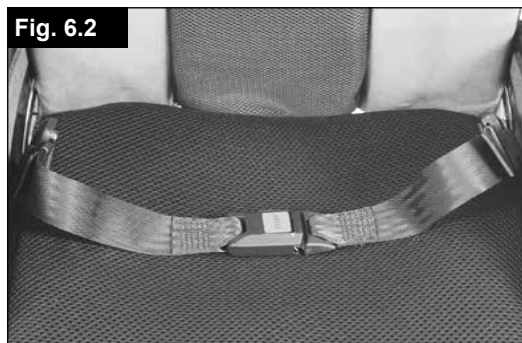
Der Beckengurt muss täglich überprüft werden, um sicherzustellen, dass keine Behinderung oder übermäßige Abnutzung vorliegt.

Achten Sie immer darauf, dass der Beckengurt vor dem Anlegen korrekt angebracht und eingestellt ist. Wenn der Gurt zu locker sitzt, kann der Benutzer nach unten rutschen und es besteht Erstickungsgefahr oder es kann zu schweren Verletzungen kommen.



Der Beckengurt ist wie abgebildet am Rollstuhl angebracht. Der Gurt besteht aus 2 Hälften. Diese werden mit der Befestigungsschraube für die Haltestange befestigt, die durch die Öse am Gurt gesteckt wird. Der Gurt wird unter der Rückseite des Seitenteils entlang geführt, (1). (Fig. 6.1)

Bringen Sie den Gurt so an, dass sich die Schnallen in der Mitte des Sitzes befinden. (Fig. 6.2).

Wenn Sie einen Beckengurt nachrüsten wollen, kontaktieren Sie bitte Ihren von Sunrise Medical autorisierten Fachhändler.



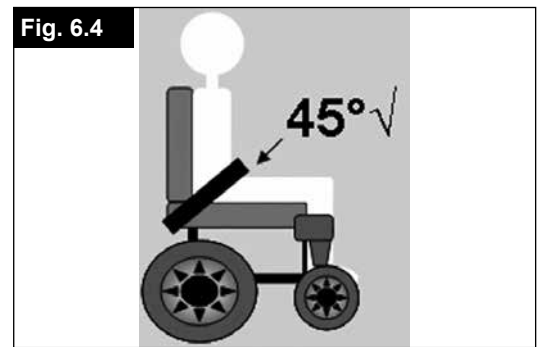
Passen Sie den Beckengurt wie folgt an den Benutzer an:

Gurt kürzer machen	Gurt länger machen
	
<p>Übrige Gurtlänge durch den Einsteckteil des Steckverschlusses und die Schlaufe zurück fädeln. Darauf achten, dass der Gurt am Einsteckteil des Steckverschlusses keine Schlinge aufweist.</p>	<p>Um den Gurt länger zu machen, übrige Gurtlänge durch die Schlaufen und den Einsteckteil des Steckverschlusses fädeln.</p>



Nach dem Anschnallen den Abstand zwischen dem Beckengurt und dem Benutzer prüfen. Bei richtiger Einstellung passt nicht mehr als eine Handfläche zwischen den Beckengurt und den Benutzer. (Fig. 6.3).

Der Beckengurt sollte so eingestellt werden, dass der Gurt in einem Winkel von 45 Grad zum Becken des Benutzers sitzt. Der Benutzer sollte aufrecht und so weit hinten wie möglich im Sitz sitzen, wenn dieser richtig eingestellt ist. Der Beckengurt muss so eingestellt sein, dass der Benutzer nicht im Sitz nach unten rutschen kann. (Fig. 6.4)



<p>Zum Ansnallen: Das Einsteckteil des Steckverschlusses fest in das Gurtschloss stecken.</p>	<p>Zum Öffnen: Die sichtbaren Teile des Einsteckteils des Steckverschlusses gleichzeitig zusammendrücken und zur Mitte schieben, während Sie sie gleichzeitig vorsichtig auseinander ziehen.</p>

⚠️ WARNUNG!

- Wenn Sie Fragen zur Benutzung und Bedienung des Beckengurts haben, wenden Sie sich an Ihren Rollstuhlhändler, Pfleger oder an Ihre Begleitperson .
- Der Beckengurt darf nur von einem autorisierten Sunrise Medical Händler / Vertreter eingebaut werden.
- Der Beckengurt darf nur von einem Gesundheitsbeauftragten oder von einem durch Sunrise Medical autorisierten Händler / Vertreter eingestellt werden.
- Der Beckengurt muss täglich überprüft werden, um sicherzustellen, dass er richtig eingestellt ist und keine Behinderung oder übermäßige Abnutzung vorliegt.
- Sunrise Medical empfiehlt den Transport von Personen in Fahrzeugen mit dem Beckengurt als Rückhaltesystem nicht.

Siehe die Transit-Broschüre von Sunrise Medical für weitere Informationen zum Thema Transport.

Wartung:

Prüfen Sie den Beckengurt und die Befestigungsteile in regelmäßigen Abständen auf Verschleißanzeichen oder Schäden. Je nach Bedarf muss er ausgetauscht werden.

⚠️ WARNUNG!

Der Beckengurt sollte wie oben beschrieben an den Endbenutzer angepasst werden. Sunrise Medical empfiehlt auch, die Länge und die Passform des Gurts regelmäßig zu überprüfen, um die Gefahr zu verringern, dass der Endbenutzer den Gurt aus Versehen zu lang einstellt.

7.0 Fehlersuche

Rollstuhl hat Drall nach einer Seite

- Reifendruck prüfen
- Prüfen, ob sich das Rad reibungslos dreht (Lager, Achse)
- Winkel der Lenkräder überprüfen.
- Prüfen, ob beide Lenkräder den richtigen Bodenkontakt haben.

Lenkräder beginnen zu flattern

- Winkel der Lenkräder überprüfen.
- Prüfen, ob alle Bolzen fest sitzen; wenn nötig nachziehen (siehe unter Drehmoment).
- Prüfen, ob beide Lenkräder den richtigen Bodenkontakt haben.

Rollstuhl/Kreuzstrebeinheit rastet nicht im Sitzsattel ein

- Der Stuhl ist noch neu, d.h. die Sitz- oder Rückenpolsterung ist noch sehr steif. Wird mit der Zeit besser.

Zusammenklappen des Rollstuhls ist schwierig

- Die justierbare Rückenpolsterung ist zu steif. Lockern Sie sie entsprechend.

Rollstuhl quietscht und klappert

- Prüfen, ob alle Bolzen fest sitzen; wenn nötig nachziehen (siehe unter Drehmoment).
- Etwas Schmieröl auf die Stellen träufeln, wo bewegliche Teile miteinander in Kontakt kommen

Rollstuhl fängt an, zu schlingern

- Den Winkel der Laufradbefestigung prüfen.
- Reifendruck prüfen
- Prüfen, ob die Hinterräder vielleicht unterschiedlich eingestellt sind.

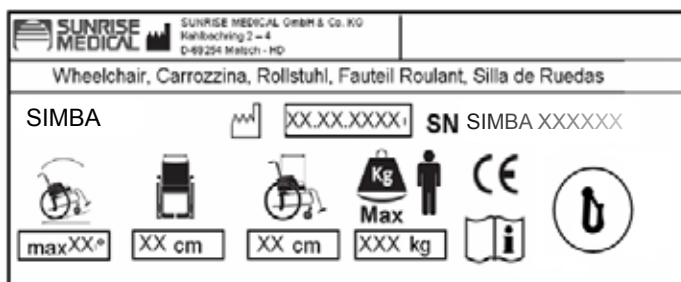
8.0 Typenschild

Typenschild

Das Typenschild befindet sich entweder unter der Kreuzstrebeinheit oder am diagonalen Rahmenrohr, auch auf dem Benutzerhandbuch befindet sich ein entsprechendes Etikett. Auf dem Typenschild sind das exakte Modell und andere technische Daten angegeben. Wenn Sie ein Ersatzteil bestellen oder einen Anspruch geltend machen, halten Sie bitte folgende Angaben bereit:

- Seriennummer:
- Bestellnummer
- Monat/Jahr

MUSTER



	Produktbezeichnung/Artikelnummer
	Maximale Steigung bzw. maximales Gefälle, das mit den Sicherheitsrädern befahren werden kann, hängt von den Einstellungen des Sitzschalenuntergestells, der Haltung und den physischen Fähigkeiten des Benutzers ab.
	Symbol des Herstellers
	Sitzbreite.
	Tiefe (maximal).
	Maximale Zuladung.
	CE-Kennzeichnung.
	Gebrauchsanleitung.
	Crash-getestet.
	Herstellungsdatum.
	Seriennummer.

Sicherheitsprüfung

Als Benutzer bemerken Sie mögliche Schäden als Erster/Erste. Wir empfehlen daher, dass Sie vor jeder Benutzung folgendes überprüfen:

- dass der Reifendruck stimmt
- dass die Bremsen richtig funktionieren
- ob alle abnehmbaren Teile sicher befestigt sind, (z.B. Armauflagen, Fußrasten, Steckachsen usw).
- Wenn Sie einen Schaden/Defekt feststellen, wenden Sie sich an Ihren autorisierten Fachhändler.

Wartung

- Überprüfen Sie den Reifendruck regelmäßig.
- Überprüfen Sie alle Reifen regelmäßig auf Abnutzung und Schäden, mindestens aber einmal im Jahr. Wechseln Sie die Bereifung, sobald Sie Anzeichen von Schäden oder Abnutzung feststellen.
- Überprüfen Sie den Sitz und die Rückenbespannung regelmäßig auf Abnutzung, mindestens aber einmal im Jahr. Wechseln Sie diese Teile aus, sobald Sie Anzeichen von Schäden oder Abnutzung feststellen.
- Überprüfen Sie alle Bauteile von Rahmen und Rücken regelmäßig auf Abnutzung, mindestens aber einmal im Jahr. Wechseln Sie diese Teile aus, sobald Sie Anzeichen von Schäden oder Abnutzung feststellen.
- Überprüfen Sie die Bremse regelmäßig auf Abnutzung und Schäden, mindestens aber einmal im Jahr. Überprüfen Sie, dass sie richtig funktioniert und einfach zu bedienen ist. Wechseln Sie die Bremse aus, sobald Sie Anzeichen von Schäden oder Abnutzung feststellen.
- Überprüfen Sie regelmäßig, dass alle Schrauben fest sitzen (siehe Abschnitt zum Drehmoment), mindestens aber einmal im Jahr. Alle Schrauben, die für die sichere Benutzung des Rollstuhls kritisch sind, verfügen über selbstsichernde Muttern. Selbstsichernde Muttern sollten nur einmal verwendet und dann ausgewechselt werden.
- Alle 8 Wochen sollten die Schnellverschlussachsen mit etwas Nähmaschinenöl geschmiert werden. Je nach der Häufigkeit und Art der Benutzung, empfehlen wir den Rollstuhl alle 6 Monate vom ausgebildeten Personal des zugelassenen Fachhändlers warten zu lassen.
- Der Rollstuhl muss immer trocken gelagert werden.

Wenn Sie den Rollstuhl für längere Zeit einlagern möchten, sind keine besonderen Maßnahmen notwendig. Achten sie darauf dass der Rollstuhl bei Raumtemperatur an einem trockenen und vor starker Sonneneinstrahlung geschützten Ort gelagert wird. Vor Wiederinbetriebnahme sollte der Rollstuhl von einem autorisierten Fachhändler überprüft werden.

VORSICHT!

- Wenn ein Drehmoment angegeben ist, empfehlen wir dringend, einen Drehmomentmesser zu verwenden, damit Sie überprüfen können, ob Sie alles auf das richtige Drehmoment angezogen haben.
- Verwenden Sie ausschließlich durch Sunrise Medical zugelassene Originalersatzteile. Verwenden Sie keine Teile von anderen Herstellern, die nicht von Sunrise Medical freigegeben wurden.
- Verwenden Sie nur milde Reinigungsmittel, wenn der Rollstuhl schmutzig ist. Zum Reinigen der Sitzpolsterung und Beckengurt nur Wasser und Seife benutzen.
- Je nach der Häufigkeit und Art der Benutzung empfehlen wir, den Rollstuhl regelmäßig, aber mindestens einmal im Jahr vom Fachpersonal eines autorisierten Fachhändlers warten zu lassen.

VORSICHT!

- Sand, Salz und Meerwasser können die Lager an den Vorder- und Hinterrädern beschädigen. Reinigen und trocknen Sie den Rollstuhl sorgfältig ab, wenn er diesen Bedingungen ausgesetzt wurde.
- Falls das Sitzschalenuntergestell beim Betrieb nass geworden ist, trocknen Sie ihn bitte anschließend ab.

Die folgenden Teile können abgenommen und an den Hersteller/Händler zur Reparatur versandt werden:

- Antriebsräder
- Armauflage
- Fußrasten
- Sicherheitsräder

Hygiene bei Wiedereinsatz:

Bevor der Rollstuhl wiedereingesetzt wird, muss er sorgfältig vorbereitet werden. Alle Oberflächen, mit denen der Benutzer in Berührung kommt, müssen mit einem Desinfektionsmittel besprüht werden.

Dafür muss ein Desinfektionsmittel von der DGHM Liste verwendet werden, z.B. Antifect Liquid (Schülke & Mayr) zur schnellen Desinfektion auf Alkoholbasis für Medizinprodukte und -geräte, die schnell desinfiziert werden müssen. Bitte beachten Sie die Gebrauchsanweisung des Herstellers für das Desinfektionsmittel, das Sie benutzen.

Im Allgemeinen kann an den Nähten keine vollständige Desinfektion garantiert werden. Wir empfehlen daher, die Sitz- und Rückenbespannungen zu entsorgen, um eine Kontamination mit Wirkstoffen gemäß § 6 des Infektionsschutzgesetzes zu vermeiden.

10.0 Technische Daten

Max. Gesamthöhe:	1000 mm
Max. Gesamtlänge:	850 mm
Max. Wenderadius:	650 mm
Max. sichere Neigung:	10°
Gewicht:	ab 9 kg
Gewicht ohne Hinterräder:	ab 6,9 kg
Gewicht des schwersten Einzelteils:	2,1 kg

Max. Breite:

RADSTURZ	ANTRIEBSRAD, 20"	ANTRIEBSRAD, 22"	ANTRIEBSRAD, 24"
Radsturz 0°	SB + 160 mm	SB + 160 mm	SB + 160 mm
Radsturz 3°	SB + 200 mm	SB + 210 mm	SB + 220 mm
Radsturz 6°	SB + 260 mm	SB + 270 mm	SB + 280 mm
Radsturz 9°	SB + 310 mm	SB + 320 mm	SB + 330 mm

Maximale Zuladung:

SIMBA bis 65 kg Zuladung

Sitzhöhen:

Die Auswahl von Rahmen, Gabeln und Lenkrädern sowie die Größe des Hinterrads (20", 22", 24") bestimmt, welche Sitzhöhen möglich sind.

Der Rollstuhl stimmt mit den folgenden Standards überein:

1. Anforderungen und Prüfungen für statische Festigkeit, Stoßfestigkeit und Dauerfestigkeit (ISO 7176-8).
2. Beständigkeit gegen Entzündung (EN 1021-2).

11.0 Entsorgung / Recycling von Materialien

Wenn Ihnen der Rollstuhl kostenlos zur Verfügung gestellt wurde, gehört er Ihnen evtl. nicht. Wenn er nicht mehr benötigt wird, befolgen Sie die Anweisungen, die Sie von der Organisation, die den Rollstuhl zur Verfügung gestellt hat, bezüglich der Rückgabe erhalten haben.

Im folgenden Abschnitt werden die Materialien beschrieben, die für den Rollstuhl verwendet werden mit Angaben zur Entsorgung oder zum Recycling des Rollstuhls und dessen Verpackung.

Es können vor Ort auch besondere Vorschriften bezüglich der Entsorgung oder des Recycling gelten, diese müssen bei der Entsorgung berücksichtigt werden. (Dazu kann auch die Reinigung oder Dekontaminierung des Rollstuhls vor der Entsorgung gehören).

Aluminium: Lenkradgabeln, Räder, Seitenteile des Stuhles, Armauflagengestell, Fußraste, Schiebegriffe,

Stahl: Befestigungspunkte, Steckachse.

Kunststoff: Handgriffe, Rohrstopfen, Lenkräder, Fußplatten, Armpolster und 12" Rad/Reifen.

Verpackung: Plastiktüten aus weichem Polyethylen, Karton.

Polsterung: Polyestergewebe mit PVC-Beschichtung und schwer entflammbarem Schaumstoff.

Die Entsorgung oder das Recycling sollte über eine Entsorgungsfirma oder eine öffentliche Entsorgungsstelle erfolgen. Sie können Ihren Rollstuhl zur Entsorgung auch an Ihren Fachhändler zurückgeben.



Avant-propos

Chère cliente, cher client,

Vous avez choisi un produit de SUNRISE MEDICAL de grande qualité. Nous nous en réjouissons.

Ce manuel d'utilisation vous fournira de nombreux conseils et suggestions de sorte que votre produit deviendra pour vous un partenaire familier digne de confiance.

Pour Sunrise Medical, être proche du client est une priorité. C'est pourquoi, nous tenons à vous tenir informé de toutes nos nouveautés, actuelles et à venir. Être proche de nos clients signifie, assurer un service rapide, avec le moins de formalités administratives possible et entretenir une bonne relation avec eux. Que vous souhaitiez commander des pièces de rechange ou des accessoires, ou encore poser des questions concernant votre fauteuil, nous sommes à votre service.

Notre objectif est que vous soyez satisfait de nos services. Chez Sunrise Medical, nous travaillons en permanence au développement de nos produits. Ainsi, des modifications quant à la forme, à la technique et à l'équipement peuvent être apportées à notre gamme de produits. Aucune réclamation ne pourra donc être adressée au sujet des informations et illustrations de ce manuel d'utilisation.

Le système de gestion de SUNRISE MEDICAL est certifié EN ISO 9001, ISO 13485 et ISO 14001.



En sa qualité de fabricant, SUNRISE MEDICAL, déclare que les fauteuils légers sont conformes à la directive 93/42/CEE.

Adressez-vous à notre service après-vente SUNRISE MEDICAL, compétent et agréé, pour toute question concernant l'utilisation, la maintenance ou la sécurité de votre fauteuil roulant.

S'il n'y a aucun revendeur près de chez vous ou si vous avez des questions, contactez-nous par courrier ou par téléphone à l'adresse suivante.

Sunrise Medical S.A.S
ZAC de la Vrillonnerie
17 Rue Mickaël Faraday
37170 Chambray-Lès-Tours
Tel : + 33 (0) 247554400
Fax : +30 (0) 247554403
www.sunrisemedical.fr

IMPORTANT :



**N'UTILISEZ PAS VOTRE FAUTEUIL AVANT D'AVOIR
LU ET COMPRIS CE MANUEL.**

Utilisation

Les fauteuils roulants sont exclusivement destinés aux utilisateurs dans l'incapacité de marcher ou à mobilité restreinte et pour leur propre usage, qu'ils soient capables de faire avancer leur fauteuil seuls ou qu'ils soient poussés par une tierce personne (un accompagnateur), à leur domicile et à l'extérieur.

La charge maximale (à savoir le poids de l'utilisateur et des accessoires éventuellement embarqués) est indiquée sur la plaque signalétique apposée sur le croisillon ou sur la barre de stabilisation, en dessous du siège.

La garantie n'est valable que si le produit est utilisé dans les conditions spécifiées et pour l'usage pour lequel il est prévu. La durée de vie prévue pour ce fauteuil est de cinq années. SEULES LES PIÈCES STANDARD et les pièces officiellement autorisées par Sunrise Medical peuvent être utilisées.

Champ d'application.

De par la diversité des options et sa conception modulaire, ce fauteuil convient pour les personnes dans l'incapacité de marcher ou à mobilité restreinte, suite à :

- Une paralysie
- La perte d'un membre (amputation de la jambe)
- Un problème/la difformité d'un membre
- Des contractures/blessures aux articulations
- Une maladie, comme une déficience cardiaque et circulatoire, trouble de l'équilibre ou cachexie, et pour les personnes âgées ayant assez de force dans le haut du corps.





Sélectionner le bon fauteuil nécessite de prendre en compte des éléments tels que la taille de l'utilisateur, son poids, sa constitution physique et psychologique, son âge, son mode de vie et son environnement.

Sommaire

1.0 Consignes générales de sécurité et limites de conduite	53
2.0 Transportabilité	56
3.0 Garantie	58
4.0 Manipulation	59
5.0 Options	59
Leviers de basculement	59
Freins	59
Réglage de la palette	60
Roue avant	61
Siège	61
Alignement des roues	62
Dossier	63
Protège-vêtement	64
Poignée de poussée	64
Roulettes anti-bascule	65
Siège	65
Extension de la largeur et de la profondeur du siège	66
Porte-canne	66
Pneus et montage des pneus	66
6.0 Support antéro-latéral (Ceinture sous-abdominale)	67
7.0 Dépannage	69
8.0 Plaque signalétique	69
9.0 Maintenance et entretien	70
10.0 Caractéristiques techniques	71
11.0 Mise au rebut / Recyclage des matériaux	71

Définitions

3.1 Définitions des termes employés dans le manuel

Terme	Définition
 DANGER !	Indication d'un risque potentiel de blessures sérieuses ou de mort en cas de non-respect des consignes
 AVERTISSEMENT !	Indication d'un risque de blessure en cas de non-respect des consignes
 ATTENTION !	Indication que le matériel peut être endommagé si le conseil fourni n'est pas suivi
REMARQUE :	Conseil d'ordre général ou pratique recommandée
	Référence faite à d'autres manuels

REMARQUE :

Il est possible que les fauteuils illustrés et décrits dans le présent manuel ne soient pas complètement identiques au modèle que vous avez acheté. Toutefois, toutes les instructions fournies dans le présent manuel sont valables pour votre matériel, malgré d'éventuelles différences minimales. Le fabricant se réserve le droit de modifier sans préavis les poids, mesures et autres données techniques indiquées dans le présent manuel. Tous les chiffres, dimensions et capacités indiqués dans ce manuel sont approximatifs et ne constituent pas des caractéristiques.

REMARQUE :

Il vous est conseillé de noter dans l'encadré prévu ci-dessous les coordonnées du technicien chargé de votre service après-vente.

En cas de panne, contactez-le en lui donnant le plus d'informations possible sur la nature de la panne pour qu'il puisse vous aider efficacement et rapidement.

Tampon et signature du revendeur

1.0 Consignes générales de sécurité et limites de conduite

La conception et la construction du fauteuil sont réalisées pour garantir une sécurité maximale. A l'échelle internationale, toutes les exigences applicables en matière de normes de sécurité sont respectées, voire dépassées. Toutefois, l'utilisateur peut se mettre en situation de danger en utilisant son fauteuil de façon incorrecte. Pour votre sécurité, vous devrez impérativement respecter les consignes suivantes.

Les altérations ou réglages non professionnels ou erronés augmentent le risque d'accidents. En tant qu'utilisateur de fauteuil roulant, vous participez à la circulation publique, sur routes ou trottoirs. Vous êtes par conséquent tenu de respecter le code de la route.

Lors de votre première utilisation du fauteuil, roulez prudemment. Familiarisez-vous avec l'utilisation de votre nouveau fauteuil roulant.

Avant chaque utilisation de votre fauteuil, contrôlez impérativement :

- Les axes à déverrouillage rapide des roues arrière
- Les bandes velcro de l'assise et du dossier
- Les pneus, la pression et les freins.



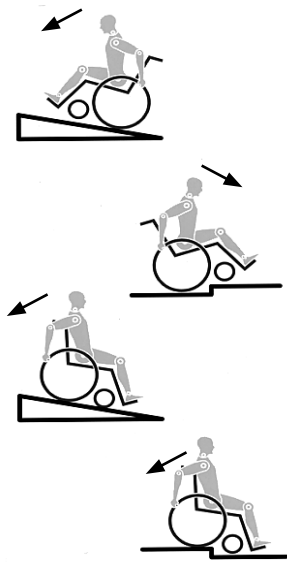
Avant de modifier un quelconque réglage, il est important de lire le paragraphe correspondant de présent manuel d'utilisation.

Des nids de poule ou un sol irrégulier peuvent faire basculer le fauteuil roulant lors de la montée ou de la descente des pentes. Si une marche ou une pente est abordée de face, le corps doit être incliné vers l'avant.

 **DANGER !**

- Ne dépassez JAMAIS la charge maximale de 65 kg combinée entre l'utilisateur et tout autre accessoire éventuellement embarqué. Veuillez noter les informations relatives au poids pour les options plus légères, lesquelles sont indiquées séparément. Toute charge supérieure pourrait endommager le fauteuil ou vous faire basculer, perdre le contrôle et entraîner de graves blessures pour vous et toute autre personne.
- Pour éviter les chutes et situations dangereuses, il est recommandé de vous entraîner et de vous familiariser avec votre nouveau fauteuil sur une surface plane offrant une bonne visibilité.
- Le fauteuil roulant sert exclusivement au transport d'une seule personne à la fois. Toute autre utilisation n'est pas conforme à l'usage prévu du vélo.
- Pour monter et descendre du fauteuil, ne prenez pas appui sur les repose-pied. Il convient au contraire de les rabattre et de les pivoter vers l'extérieur le plus possible.
- Selon le diamètre et le réglage des roues avant, ainsi que le centre de gravité du fauteuil, les roues avant peuvent se mettre à vibrer à mesure que la vitesse du fauteuil augmente. Les roues avant risquent alors de se bloquer et le fauteuil de basculer. Il est donc essentiel de régler correctement les roues avant (voir le chapitre "Roues avant").
- Ne descendez pas une pente sans frein et déplacez-vous lentement. Au-delà de cette vitesse, selon la configuration et/ou le physique/les capacités physiques de l'utilisateur, les roues avant peuvent se mettre à osciller et éventuellement entraîner des blessures pour l'utilisateur.
- Changer le centre de gravité peut avoir un impact sur le comportement du fauteuil dont vous devez être conscient. Il est recommandé de vous entraîner, par exemple en pente ou lors du franchissement d'obstacles. Familiarisez-vous avec les différents comportements en présence d'un accompagnateur.
- Il est recommandé aux utilisateurs inexpérimentés d'utiliser des roulettes anti-basculer.
- Les roulettes anti-basculer empêchent le fauteuil de basculer accidentellement vers l'arrière. En aucun cas, elles ne doivent remplacer les roulettes de transit et servir au transport d'une personne dans un fauteuil dont les roues arrière auraient été retirées.
- Avec des réglages extrêmes (comme les roues arrière en position la plus avancée possible) et une posture inadéquate, le fauteuil risque de basculer, même sur une surface plane.
- Lorsque vous franchissez des côtes et des marches, penchez votre corps plus en avant.
- Lorsque vous descendez des côtes et des marches, penchez votre corps plus en arrière.
- Lors de l'utilisation d'accessoires de mobilité montés sur le fauteuil roulant, comme le handbike, la fonction assistée, etc., vérifiez que votre fauteuil est équipé des fourches appropriées à cet usage. N'hésitez pas à contacter votre revendeur en cas de doute.
- À noter que dans certaines configurations, le fauteuil peut dépasser la largeur de 700 mm. Si tel est le cas, certaines issues de secours peuvent ne pas permettre le passage du fauteuil. Par ailleurs, le déplacement à bord des transports publics peut être difficile, voire impossible.
- N'accrochez pas d'objets lourds (sac de courses ou sac à dos) aux poignées, à l'appui-tête ou au dossier du fauteuil.
- Ils peuvent modifier le point de bascule et faire basculer le fauteuil en arrière.
- Si vous souhaitez atteindre un objet (placé devant, derrière ou latéralement par rapport au fauteuil), évitez de trop vous pencher afin de ne pas modifier le centre de gravité et risquer de faire basculer le fauteuil.
- Utilisez toujours votre fauteuil de manière adéquate. Evitez par exemple de franchir des obstacles sans avoir préalablement ralenti (marche, bord de trottoir).

Fig. A



- Ne montez et descendez les escaliers que si vous êtes accompagné. Des équipements à cet effet sont à votre disposition, comme les rampes d'accès et les ascenseurs. Utilisez-les. En l'absence de tels équipements, deux personnes sont nécessaires pour faire basculer le fauteuil et lui faire franchir les marches une à une en le poussant, et non pas en le soulevant.
- En général, en présence de roulettes anti-basculer, il convient de les régler de sorte qu'elles ne puissent heurter les marches, car cela pourrait entraîner une grave chute. Remplacez ensuite les roulettes anti-basculer à leur position normale.
- L'accompagnateur doit toujours tenir le fauteuil par les parties fixes et non pas par les parties amovibles, comme le repose-pied ou la protection latérale.
- Lors de l'utilisation d'une rampe d'accès, pensez à positionner les roulettes anti-basculer (le cas échéant) en dehors de la zone à risque.
- Immobilisez toujours votre fauteuil à l'aide des freins lorsqu'il se trouve sur une surface accidentée ou lorsque vous montez dessus ou en descendez.
- Pour les personnes amputées d'un ou des membres inférieurs, il est impératif d'utiliser les roulettes anti-basculer.
- Avant d'utiliser votre fauteuil, vérifiez la pression des pneus. Pour les roues arrière, la pression doit être au moins de 3,5 bars (350 kPa). La pression maximale est indiquée sur la jante des pneus.
- Le frein à débattement court ne fonctionne que si la pression des pneus est suffisante et si le réglage est correct (voir le chapitre sur Frein).
- Les freins d'immobilisation ne servent pas à ralentir le fauteuil. Ils empêchent votre fauteuil d'avancer involontairement. Quand vous vous tenez sur un terrain accidenté, utilisez impérativement vos freins d'immobilisation. Pensez toujours à actionner les deux freins simultanément, autrement votre fauteuil pourrait basculer.
- Les freins d'immobilisation ne sont pas destinés à être utilisés comme des freins de service.
- Utilisez toujours les ascenseurs ou les rampes. S'il n'y en a pas, demandez à une tierce personne de vous aider. Ces personnes doivent saisir le fauteuil par les seules parties fixes du châssis. En présence de roulettes anti-basculer, il convient de les rabattre. Ne jamais soulever le fauteuil avec l'utilisateur assis dedans.

- Si les toiles du dossier et du siège sont abîmées, remplacez-les immédiatement.
- Ne soulevez pas le fauteuil en l'attrapant par les tubes du dossier, ni par les poignées.
- N'équipez le fauteuil d'aucun dispositif électronique, dispositif de mobilité électrique ou mécanique, vélo à main ou tout autre dispositif non approuvé susceptible de modifier l'usage prévu du fauteuil ou sa structure.
- L'ajout de dispositifs médicaux supplémentaires nécessite l'approbation de Sunrise Medical.
- Soyez très vigilants avec les risques d'incendie, surtout avec les cigarettes allumées. Les toiles du dossier et du siège peuvent prendre feu.
- Dans la mesure du possible, au cours d'un déplacement à bord d'un véhicule pour personnes handicapées, il est conseillé aux occupants de s'asseoir sur les sièges et d'utiliser le système de retenue approprié. C'est le seul moyen d'assurer une protection optimale aux occupants en cas d'accident. Si vous utilisez des éléments de sécurité proposés par SUNRISE MEDICAL et un système de sécurité spécifique, les fauteuils légers peuvent servir de siège pour le déplacement à bord d'un véhicule spécialement adapté. (Voir le chapitre sur "Transport").
- Vérifiez que les axes à déverrouillage rapide des roues arrière sont bien réglés et verrouillés. Si le bouton de l'axe à déverrouillage rapide n'est pas enfoncé, vous ne pouvez pas enlever la roue arrière.
- Si vous utilisez une main courante métallique et freinez dans une longue pente ou pour réduire votre allure, le frottement peut chauffer la main courante et vous brûler les doigts.
- Si le fauteuil est exposé au soleil pendant une période prolongée, certaines parties du fauteuil (par ex. le châssis, les repose-jambes, les freins et le protège-vêtement) peuvent chauffer (>41°C).
- Pour éviter de vous blesser aux mains, ne placez pas vos doigts entre les rayons ou entre la roue arrière et le frein de la roue lorsque le fauteuil est en déplacement.
- Lorsque vous utilisez votre fauteuil à l'extérieur, portez toujours des gants en cuir afin d'avoir une bonne prise et de protéger vos mains contre la saleté et la surchauffe.
- N'utilisez pas le fauteuil sur des pentes de plus de 10° d'inclinaison.
- Le degré d'inclinaison maximum des pentes dépend de la configuration du fauteuil, des capacités de l'utilisateur et du style de conduite. Les capacités de l'utilisateur et son style de conduite ne pouvant être prédéfinis, le degré d'inclinaison maximum des pentes ne peut être déterminé. Il revient donc à l'utilisateur, assisté de son accompagnateur, de déterminer l'inclinaison maximale afin d'éviter tout risque de basculement. Il est vivement recommandé d'installer des roulettes anti-basculer pour les utilisateurs inexpérimentés.
- N'utilisez pas le fauteuil sur des terrains boueux ou verglacés.
- N'utilisez pas le fauteuil dans des zones interdites aux piétons.
- Comme avec toutes les pièces amovibles, toute intervention présente le risque de se coincer les doigts. Manipulez le fauteuil avec précaution.
- N'utilisez pas le fauteuil sous une forte pluie, dans la neige, sur une chaussée glissante ou sur des surfaces accidentées.
- N'utilisez pas le fauteuil dans des environnements dangereux.

AVERTISSEMENT !

RISQUE D'ÉTOUFFEMENT – Ce fauteuil est composé de petites pièces qui, dans certaines conditions, peuvent présenter un risque d'étouffement pour les jeunes enfants.

AVERTISSEMENT !

Les réglages de votre fauteuil, et plus particulièrement les réglages des composants relatifs à la sécurité, doivent être réalisés exclusivement par un revendeur agréé. Cette exigence concerne les freins d'immobilisation, les roulettes anti-bascule, l'angle d'inclinaison et la hauteur du dossier, la longueur de jambe inférieure, le centre de gravité, la ceinture sous-abdominale, le pincement et le carrossage des roues arrière, la hauteur du siège, ainsi que le pincement et la stabilité directionnelle de la fourche.

REMARQUE :

- L'efficacité du frein à manette au genou et des caractéristiques de conduite générales dépend de la pression des pneus. Le fauteuil sera considérablement plus léger et plus facile à manœuvrer si les pneus des roues arrière sont correctement gonflés et ont la même pression.
- Vérifiez la sculpture des pneus.
- N'oubliez pas que lorsque vous vous déplacez au milieu de la circulation, vous devez respecter toutes les réglementations relatives au code de la route.
- Dans la pénombre, portez des vêtements clairs ou réfléchissants de sorte à être vu par les autres usagers de la route. Veillez à ce que les réflecteurs latéraux et arrière du fauteuil restent bien visibles. Il est également recommandé d'installer une lumière.
- Faites attention de ne pas vous pincer les doigts lorsque vous procédez à des réglages du fauteuil.
- Il est possible que les fauteuils illustrés et décrits dans le présent manuel ne soient pas complètement identiques au modèle que vous avez acheté. Toutefois, toutes les instructions fournies dans le présent manuel sont valables pour votre matériel, malgré d'éventuelles différences minimales.
- Le fabricant se réserve le droit de modifier sans préavis les poids, mesures et autres données techniques indiquées dans le présent manuel. Tous les chiffres, dimensions et capacités indiqués dans ce manuel sont approximatifs et ne constituent pas des caractéristiques.

Durée de vie

- La durée de vie prévue pour ce fauteuil est de cinq années.

2.0 Transportabilité

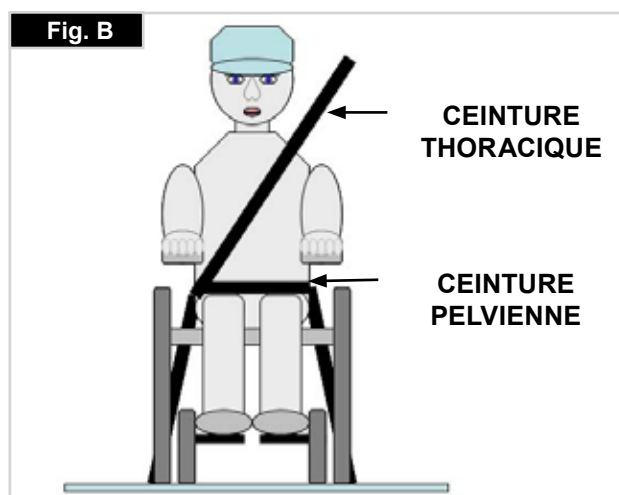
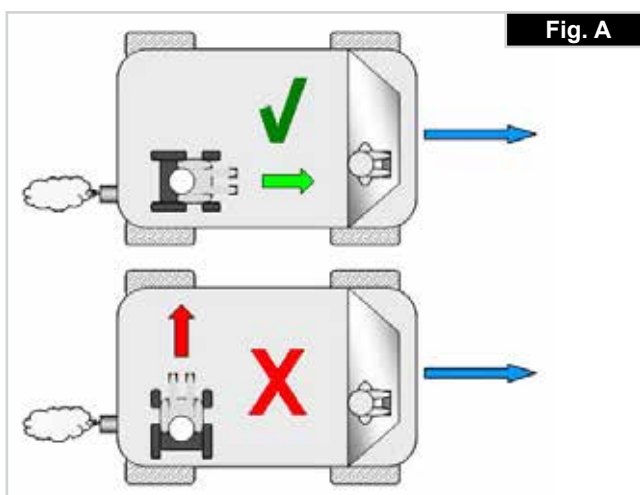


Avertissement Il y a risque de blessures sérieuses ou de mort si ce conseil n'est pas respecté.

Transport de votre fauteuil roulant dans un véhicule :

Un fauteuil roulant arrimé dans un véhicule n'assurera pas le même niveau de sécurité que les sièges du véhicule. Il est toujours recommandé que l'utilisateur soit transféré au siège du véhicule. Sunrise Medical reconnaît qu'il n'est pas toujours facile de transférer l'utilisateur et dans une telle situation où l'utilisateur doit être transporté tout en étant dans son fauteuil roulant, il convient de suivre les recommandations suivantes :

1. Faites vous confirmer que le véhicule est correctement équipé pour transporter un passager dans un fauteuil roulant, et assurez-vous que la méthode d'accès/de sortie est convenable pour votre type de fauteuil roulant. Le sol du véhicule doit être suffisamment résistant pour supporter le poids de l'utilisateur avec celui du fauteuil roulant et de ses accessoires.
2. Suffisamment d'espace doit être disponible autour du fauteuil afin d'avoir un accès facile pour attacher, serrer et détacher le fauteuil roulant et le dispositif de retenue de l'occupant et les ceintures de sécurité.
3. Le fauteuil doit être placé dans le sens de la marche et être ancré par les points d'arrimage et le système de retenue et de fixation (conforme à la norme ISO 10542 Partie 2 ou SAE J2249) conformément aux instructions du fabricant du système de retenue.
4. L'utilisation du fauteuil à bord d'un véhicule motorisé dans une position autre que celle préconisée n'a pas fait l'objet de tests, ainsi le positionnement latéral du fauteuil ne doit être envisagé en aucun cas (Fig. A).
5. Le fauteuil doit être sécurisé par un système d'arrimage conforme à ISO 10542 ou SAE J2249 avec sangles avant non-réglables et sangles arrière réglables, qui utilise typiquement des mousquetons/crochet en S et des boucles à ardillons. Ces dispositifs de retenue comprennent généralement 4 sangles individuelles qui sont attachées de chaque côté du fauteuil roulant.
6. Ce système d'arrimage doit être fixé au châssis principal du fauteuil roulant comme indiqué dans le schéma sur la page suivante, et non pas à tout points d'attache ou accessoires, ex. pas autour des rayons des roues, freins ou repose-pied.
7. Le système de fixation doit être attaché le plus possible à un angle de 45° et tendu conformément aux indications du fabricant.
8. Ne modifiez et ne remplacez pas les points d'ancrage du fauteuil, ni les composants structurels sans avoir préalablement demandé l'avis du fabricant, à défaut de quoi le fauteuil Sunrise Medical ne sera pas conforme pour le transport à bord d'un véhicule motorisé.
9. Les deux ceintures de retenue au niveau du bassin et du torse supérieur doivent être utilisées pour retenir le passager afin de réduire la possibilité de choc de la tête ou du torse avec les composants du véhicule et de risques graves de blessures à l'utilisateur et tout autre occupant du véhicule. (Fig. B) La ceinture de retenue du torse supérieur doit être montée au pilier "B" du véhicule - ne pas respecter ceci augmente le risque de blessures abdominales graves à l'utilisateur.
10. Un soutien de tête adéquate pour le transport (voir étiquette de l'appui-tête) doit être installé et doit être dans la position souhaitée à tout moment pendant le transport.
11. Les systèmes de maintien posturaux (sangles sous-abdominales, ceintures sous-abdominales) ne doivent pas servir de système de retenue dans un véhicule en déplacement, à moins qu'ils ne soient conformes à la norme ISO 7176-19:2001 ou SAE J2249, ce qui doit être spécifiquement indiqué sur l'étiquette.
12. La sécurité de l'utilisateur pendant son transport dépend de la vigilance de la personne sécurisant le système d'arrimage et cette personne devrait avoir reçu des instructions appropriées et/ou une formation sur leur utilisation.
13. Dans la mesure du possible, retirez du fauteuil et rangez tous les accessoires et équipements auxiliaires, comme par exemple :
14. Les cannes, les coussins amovibles et les tablettes.
15. Vous ne devez pas utiliser les repose-jambe en position élevée quand le fauteuil roulant et l'utilisateur sont transportés et quand le fauteuil roulant est retenu par des dispositifs de retenue pour le transport de fauteuils roulants et de son passager.
16. Les dossiers inclinables doivent être remis en position verticale.
17. Les freins manuels du fauteuil doivent impérativement être enclenchés.
18. Les dispositifs de retenue doivent être montés au pilier "B" du véhicule et ne doivent pas être retenus par des composants du fauteuil roulant tel les accoudoirs ou les roues.



Instructions pour le système de retenue de l'occupant :

1. La ceinture de retenue du bassin doit être fixée en position basse à travers le bassin de façon à ce que l'angle de la ceinture du bassin soit dans la zone de préférence entre 30 et 75 degrés par rapport à l'horizontal.
2. Un plus grand angle au sein de la zone de préférence est recommandé c'est-à-dire plus proche de 75°, mais sans jamais cependant dépasser cette limite. (Fig. C).
3. La ceinture thoracique doit passer par-dessus l'épaule et en travers de la poitrine, comme illustré aux Fig. D et E.
4. Les ceintures de retenue doivent être serrées le plus possible, tout en respectant le confort de l'utilisateur.
5. La sangle de la ceinture de sécurité ne doit pas être entortillée pendant son utilisation.
6. La ceinture thoracique doit passer par-dessus l'épaule et en travers de l'épaule, comme illustré aux Fig. D et E.
7. Les points de retenue au fauteuil sont le côté interne avant du châssis juste au-dessus de la roue avant et l'arrière du châssis. Les sangles sont fixées autour des flancs de châssis, à l'intersection des tubes de châssis horizontaux et verticaux. (Voir Fig. G - H)
8. Le symbole d'arrimage (Fig. F) sur le châssis du fauteuil roulant indique la position des sangles de retenue du fauteuil roulant. Les sangles sont ensuite tendues après que les sangles avant aient été fixées pour sécuriser le fauteuil roulant.

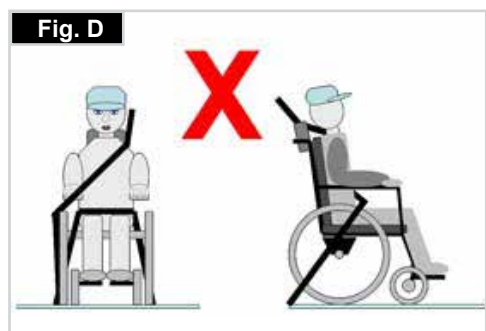
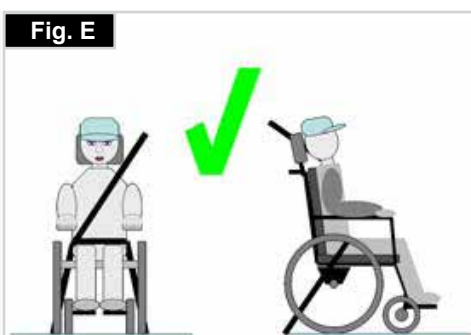
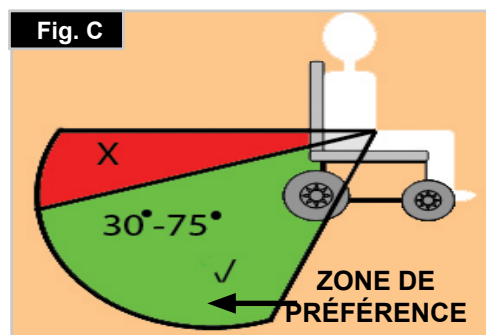
POIDS DE L'UTILISATEUR INFÉRIEUR A 22 kg

Si l'utilisateur devant être transporté est un enfant pesant moins de 22 kg et si le véhicule utilisé compte moins de huit (8) passagers assis, il est recommandé d'utiliser un dispositif de retenue pour enfants conforme au règlement 44 de la CEE-ONU. Ce type de dispositif de retenue est un moyen de retenue plus efficace que les dispositifs à trois points, et certains dispositifs de retenue pour enfants assurent également un support postural supplémentaire afin de maintenir la position de l'enfant lorsqu'il est assis.

Les parents ou toute autre personne s'occupant de l'enfant peut, selon le cas, décider de laisser l'enfant dans son fauteuil roulant pendant le transport en raison du niveau de contrôle de la posture ou du niveau de confort assuré par les réglages du fauteuil. Dans ce cas, nous vous invitons à procéder à une évaluation des risques par le professionnel de santé qui vous suit ou par toute personne compétente dans ce domaine.

Transportabilité – positionnement du dispositif d'arrimage sur le fauteuil roulant

- Le fauteuil est sécurisé avec le dispositif d'arrimage avant du fauteuil roulant. (Fig. G).
- Emplacement du dispositif arrière d'arrimage du fauteuil roulant (Fig. H).



GARANTIE**CELA N'AFFECTE EN AUCUN CAS VOS DROITS LEGAUX.**

La garantie de Sunrise Medical* est détaillée dans les conditions de garantie suivantes :

Conditions de garantie

1. Si une ou plusieurs pièces devaient être remplacées ou réparées suite à un vice de fabrication et/ou de matériel dans les 24 mois (5 ans pour le châssis ou le croisillon) suivant la livraison au client, la ou les pièces seront remplacées ou réparées gratuitement. (Les batteries sont garanties pendant une période de 12 mois dans la mesure où les recommandations pour les batteries ont été respectées)
2. Pour faire jouer la garantie, veuillez contacter le service client Sunrise Medical afin de préciser la nature du problème. En cas d'utilisation du fauteuil dans une zone située en dehors du territoire du service après-vente (revendeur) Sunrise Medical, les réparations ou remplacements seront assurés par un autre service après-vente désigné par le fabricant. Le fauteuil doit être réparé par un service après-vente désigné par Sunrise Medical.
3. Toute pièce réparée ou échangée dans le cadre de la garantie est couverte par la garantie pour la période restante conformément au point 1.
4. Concernant les pièces détachées d'origine installées ultérieurement et au frais du client, celles-ci sont couvertes par une garantie de 12 mois (à compter de l'installation), conformément aux présentes conditions de garantie.
5. Les pièces consommables, telles les manchettes, les pneus, les chambres à air et autres pièces similaires, ne sont pas couvertes par la garantie, à moins que l'usure prématurée de la pièce soit le résultat direct d'un défaut de fabrication.
6. La garantie ne peut être actionnée si la réparation ou l'échange du fauteuil ou d'une pièce découle de l'un des cas de figure suivants :
 - a) Le produit n'a pas été entretenu ou révisé conformément aux recommandations du fabricant, telles qu'indiquées dans le manuel d'utilisation et/ou les notices d'entretien.
 - b) Les accessoires utilisés ne sont pas des accessoires d'origine.
 - c) Le fauteuil roulant - ou l'une de ses pièces - a été endommagé suite à un mauvais entretien, à un accident ou à une utilisation inadéquate.
 - d) Des changements/modifications non conformes aux spécifications du fabricant ont été effectués sur le fauteuil ou des pièces.
 - e) Les réparations ont été effectuées avant d'en avoir informé le service client.
7. Cette garantie est soumise à la loi du pays d'achat du produit auprès de Sunrise Medical*

* C'est-à-dire le site Sunrise Medical depuis lequel le produit a été acheté.

4.0 Manipulation

Axes à déverrouillage rapide de la roue arrière

Les roues arrière doivent être munies d'axe à déverrouillage rapide.

Les roues peuvent être démontées ou montées sans outils.

Pour démonter les roues, pressez sur le bouton de l'axe à déverrouillage rapide (1) et retirez la roue arrière (Fig. 3).



ATTENTION !

Lors du montage, appuyez sur le bouton de l'axe à déverrouillage rapide et insérez l'axe dans le canon, tout en conservant le bouton pressé.

Relâchez le bouton et la roue est bloquée. Le bouton d'arrêt doit revenir dans sa position de départ.

Transport du fauteuil

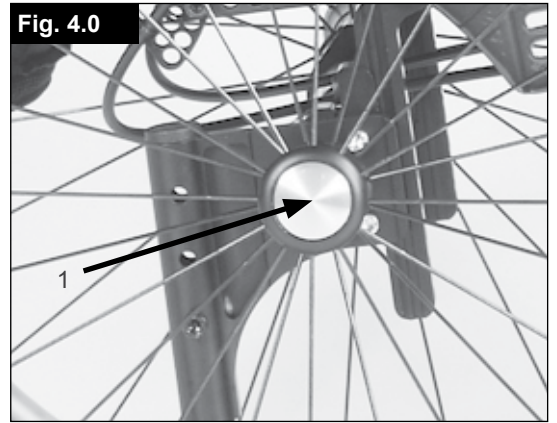
Les roues arrière sont démontables pour obtenir un fauteuil aussi compact que possible.

Le dossier se rabat en tirant sur une simple corde.

Pour déplacer un fauteuil vacant, soulevez-le par la partie frontale de la toile et les poignées.

Lorsque le fauteuil est transporté inoccupé à bord d'un véhicule motorisé, il convient de l'arrimer ou de l'attacher.

Fig. 4.0



5.0 Options

Leviers de basculement

Le levier de basculement permet à l'accompagnateur(-trice) de faire basculer le fauteuil pour franchir un obstacle. Placez votre pied sur le tube d'appui pour faire franchir au fauteuil un trottoir ou une marche, par exemple, (Fig. 5.1).

Freins



ATTENTION !

La puissance de freinage peut être affectée par un mauvais montage ou réglage des freins, ainsi que par une pression trop faible des pneus.

Freins

Le fauteuil est équipé de deux freins d'immobilisation. Les freins agissent directement sur les pneus. Pour immobiliser votre fauteuil, abaissez les deux leviers de freinage jusqu'à la butée avant. Tirez le levier de freinage en arrière pour le relâcher.

L'effet de freinage diminue quand :

- Les sculptures du pneu sont usées
- La pression des pneus est insuffisante
- Les pneus sont humides
- Le frein est mal réglé.

Les freins d'immobilisation ne sont pas destinés à être utilisés comme des freins de service. N'actionnez pas les freins en marche. Freinez toujours à l'aide des mains courantes. Vérifiez que l'écart entre les pneus et les freins d'immobilisation est conforme aux valeurs spécifiées. Pour effectuer le réglage, desserrez la vis (1) et réglez la valeur souhaitée. Revissez ensuite les vis (Voir la page couples de serrage) (Fig. 5.2).

Freins standard

(Fig. 5.3)

Fig. 5.1



Fig. 5.2



Fig. 5.3



Freins compacts

Les freins compacts se trouvent sous la toile du siège. Pour les activer, il suffit de tirer les freins vers l'arrière, en direction du pneu. Pour que les freins fonctionnent correctement, il convient de les tirer jusqu'à ce qu'ils heurtent la butée (Fig. 5.4).



- Si le frein n'est pas correctement monté, vous devrez forcer pour l'actionner. Cela pourrait casser la rallonge du levier de frein !
- Les vis de montage des freins ne doivent pas être desserrées et/ou resserrées.

Frein d'immobilisation Safari (intégré au protège-vêtement) :

Les Freins d'immobilisation Safari sont actionnés en poussant le levier vers l'avant (à l'opposé du corps du patient).

Pour relâcher le frein, tirez le levier en direction de l'utilisateur (Fig. 5.5).

Rallonge du levier de frein

La rallonge vous permet de déployer moins d'efforts pour actionner les freins. La rallonge est directement vissée aux freins.

En le levant, le levier pourra être rabattu vers l'avant (Fig. 5.6).



Si le frein n'est pas correctement monté, vous devrez forcer pour l'actionner. Cela pourrait casser la rallonge du levier de frein.

Réglage de la palette



- Ne jamais prendre appui sur la palette ! Même si l'utilisateur est assis dans son fauteuil, cela pourrait faire basculer le fauteuil et entraîner des blessures.
- Lorsque vous montez ou descendez du fauteuil, ne prenez pas appui sur la palette, cela pourrait faire basculer le fauteuil et entraîner des blessures.

Réglage du repose-pied

Enlevez la vis (1) pour régler le repose-pieds à la longueur adaptée à vos jambes. Revissez la vis. L'angle des repose-pieds se règle individuellement (hormis pour les repose-pieds avec barre) en desserrant les vis (2). Les cales latérales du repose-pieds empêchent tout glissement involontaire des pieds. Après avoir procédé à vos réglages, vérifiez toujours d'avoir bien revissé toutes les vis (voir la section sur la force de torsion) (Fig. 5.7).

Repose-pieds rabattable :

Les repose-pieds se rabattent pour vous permettre de plus facilement monter ou descendre de votre fauteuil. Pour rabattre le repose-pieds, il suffit de lever la partie avant. Pour ramener le repose-pieds à sa position d'origine, il suffit de rabaisser la partie avant de la palette (Fig. 5.8).

Repose-pieds surélevés :

Ce repose-pieds se monte à l'intérieur du châssis et permet une position surélevée des pieds (Fig. 5.9).



Un adhésif frein-filet est appliqué en usine sur les vis et boulons de ce fauteuil. Au bout de 5 fois, il convient de les remplacer ou de les serrer à nouveau à l'aide d'un frein-filet à un couple de serrage moyennement élevé.

Fig. 5.4



Fig. 5.5



Fig. 5.6



Fig. 5.7

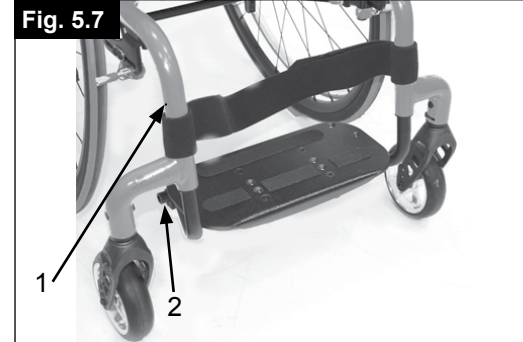


Fig. 5.8

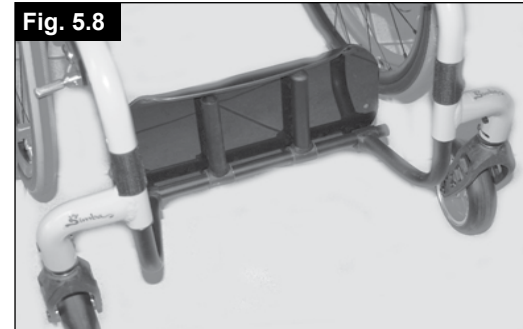


Fig. 5.9



Roue avant

Roue avant, Support de fourche, Fourche

Il est possible que le fauteuil tire légèrement à droite ou à gauche ou que les roues avant aient du jeu.

Cela peut être dû aux raisons suivantes :

- Mauvais réglage du déplacement avant et/ou arrière de la roue.
- Mauvais réglage de l'angle des roues avant.
- La pression et la souplesse des roues arrière et des roues avant ne sont pas adaptées.

Les roues avant doivent être réglées de façon optimale pour que le fauteuil roule de façon rectiligne.

Les réglages des roues avant doivent toujours être confiés à un revendeur agréé. En cas de modifications de la position de la roue arrière, les réglages de l'adaptateur de la roue avant et du frein doivent être contrôlés.

Réglage des roues avant

Comptez les dents visibles des deux côtés pour vérifier que les deux fourches sont bien parallèles. Une fois la fourche des roues avant ajustée, les dents garantissent stabilité au fauteuil, permettant un réglage de 16° obtenu par incréments de 2°. Vérifiez l'angle droit en prenant repère sur le côté plat. Le modèle breveté permet de faire pivoter la fourche de manière à la régler perpendiculairement au sol en cas d'inclinaison de l'assise, (Fig. 5.10 et 5.11).

Réglage de la stabilité directionnelle

Retirez les vis hexagonales (1) du dessous de la fourche. Vous pouvez maintenant dévisser la vis (2) Vous pouvez maintenant orienter la douille noire (3) vers la droite ou la gauche.

Gauche – le fauteuil tire vers la gauche

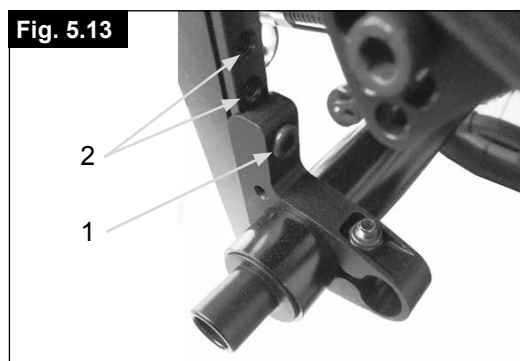
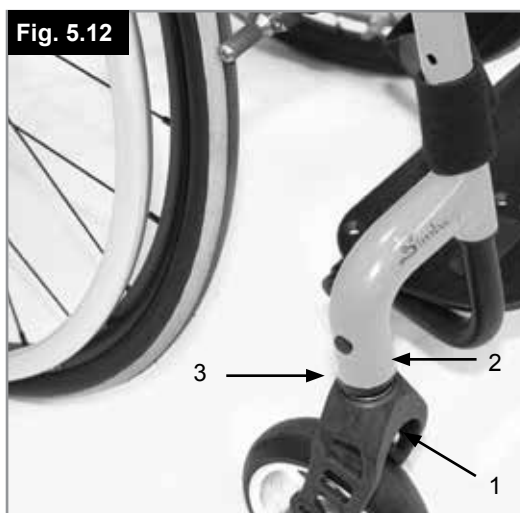
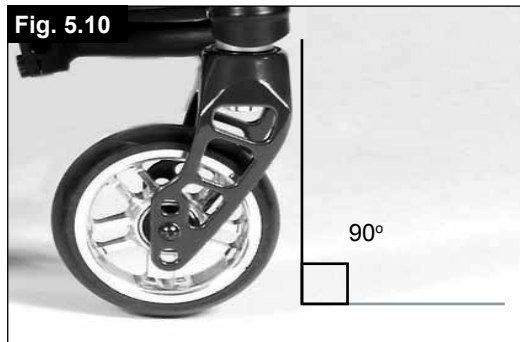
Droite – le fauteuil tire vers la droite

Resserrez la vis (2). Réglez un angle à 90° entre la fourche et le sol.

Revissez maintenant la vis (1). (Fig. 4.16).

ATTENTION !

Un adhésif frein-filet est appliqué en usine sur les vis et boulons de ce fauteuil. Au bout de 5 fois, il convient de les remplacer ou de les serrer à nouveau à l'aide d'un frein-filet à un couple de serrage moyennement élevé.



Siège

Réglage de la hauteur du siège

Pour régler la hauteur du siège à l'arrière, desserrez et retirez les vis hexagonales (1) (une de chaque côté) qui fixent le support (2) à la plaque d'axe (3). Réglez les deux colliers des tubes du carrossage (2) à la hauteur désirée et remplacez les deux vis hexagonales. Avant de resserrer les vis, procédez comme suit pour définir le pincement ou l'ouverture à zéro.

Serrez les vis à 10 Nm. (Fig. 5.13)

ATTENTION !

- Il peut être nécessaire de régler l'inclinaison des roues avant pendant le réglage de la hauteur d'assise à l'arrière.
- Un adhésif frein-filet est appliqué en usine sur les vis et boulons de ce fauteuil. Au bout de 5 fois, il convient de les remplacer ou de les serrer à nouveau à l'aide d'un frein-filet à un couple de serrage moyennement élevé.

Alignement des roues

Réglage de l'alignement des roues

Important : Pour obtenir un déplacement optimal du fauteuil, les roues arrière doivent être parfaitement réglées, ce qui revient à régler correctement leur alignement.

Pour le vérifier, mesurez la distance entre les deux roues avant et arrière pour s'assurer qu'elles sont parallèles l'une par rapport à l'autre. La différence entre les deux mesures ne doit pas dépasser 5 mm.

Pour régler les roues de sorte qu'elles soient parallèles, desserrez les vis et tournez le canon d'axe dans un sens ou dans l'autre. Après avoir procédé à vos réglages, vérifiez toujours d'avoir bien revissé toutes les vis (voir la section sur la force de torsion).

SIMBA - Réglage du guidage

Réglage du pincement ou de l'ouverture des roues à zéro

REMARQUE : Un fauteuil avec des canons de carrossage de 0° ne peut avoir de pincement, ni d'ouverture des roues. Ce réglage est réservé aux cylindres de carrossage de 3°, 6° et 9°.

Les termes « pincement » et « ouverture » désignent l'alignement des roues arrière du fauteuil par rapport au sol, lequel détermine le bon fonctionnement du fauteuil. Une résistance normale ou une résistance au roulement est présente lorsque le pincement est réglé sur zéro.

Pour définir le pincement ou l'ouverture sur zéro : Desserrez les vis hexagonales (1) (une de chaque côté) qui fixent le collier d'équerre. Vérifiez la bille sur le plan horizontal (2), puis tournez le tube d'équerre (3) jusqu'à ce que la bille soit au centre. Le pincement est égal à zéro.

Avant de resserrer les vis (1), vérifiez que le tube d'équerre est bien centré de gauche à droite. L'espace doit être identique des deux côtés ou nul. Serrez les vis à 10 Nm (Fig. 5.14 - 5.16).

Fig. 5.14



Fig. 5.15

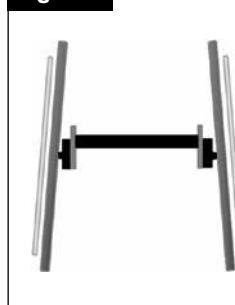
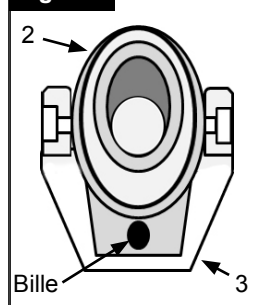


Fig. 5.16



Régalez la largeur de l'empatement

⚠ ATTENTION !

Régalez une roue après l'autre pour définir l'empatement arrière. Le resserrage simultané des deux roues a pour effet de dérégler le pincement ou l'ouverture. Pour régler l'empatement arrière, les pièces du carrossage (4) coulissent vers l'intérieur ou l'extérieur de la barre de carrossage (5) et s'enclenchent lorsqu'elles atteignent la butée. Serrez la vis (6) (la plus proche de la barre de carrossage) sur le côté gauche du fauteuil.

Déplacez l'axe à déverrouillage rapide vers l'intérieur ou l'extérieur jusqu'à obtenir l'empatement souhaité. Serrez les vis à 10 Nm. Procédez de même du côté droit du fauteuil en veillant à ce que l'espacement soit identique à celui de gauche (Fig. 5.17).

⚠ ATTENTION !

Un adhésif frein-filet est appliqué en usine sur les vis et boulons de ce fauteuil. Au bout de 5 fois, il convient de les remplacer ou de les serrer à nouveau à l'aide d'un frein-filet à un couple de serrage moyennement élevé.

Fig. 5.17



Dossier réglable en angle

L'angle d'inclinaison du dossier se règle en modifiant la position des montants du dossier. Desserrez et enlevez les vis (1) des deux côtés. Réglez les montants du dossier jusqu'à obtention de l'angle désiré. Remplacez et revissez les vis (1) (Fig. 5.18)

**ATTENTION !**

Il est impératif de bien revisser les vis, à défaut de quoi le réglage de l'angle d'inclinaison sera perdu.

Dossier rabattable

Pour libérer le dossier, tirez sur la corde tout en poussant le dossier vers l'avant jusqu'à ce qu'il se rabatte. Pour ramener le dossier à sa position d'origine, tirez-le en arrière, jusqu'à ce que les deux montants s'enclenchent.

**DANGER !**

Si le dossier est ramené trop en arrière et donc si l'utilisateur est trop penché en arrière, le freinage pourrait faire basculer l'utilisateur vers l'arrière. C'est pourquoi il est important que les deux montants du dossier soient bien enclenchés.

**AVERTISSEMENT !**

Lorsque vous rabattez le dossier vers l'avant, veillez à ne pas vous pincer les doigts.

Dossier en position de détente

La position de détente s'obtient avec une inclinaison du dossier réglée sur 10°. Tirez sur la corde du dossier afin de le libérer, tirez le dossier vers l'arrière jusqu'à ce que les deux montants du dossier s'enclenchent.

**AVERTISSEMENT !**

Si le dossier est ramené trop en arrière et donc si l'utilisateur est trop penché en arrière, le freinage pourrait faire basculer l'utilisateur vers l'arrière. C'est pourquoi il est important que les deux montants du dossier soient bien enclenchés.

**AVERTISSEMENT !**

Lorsque vous rabattez le dossier vers l'avant, veillez à ne pas vous pincer les doigts.

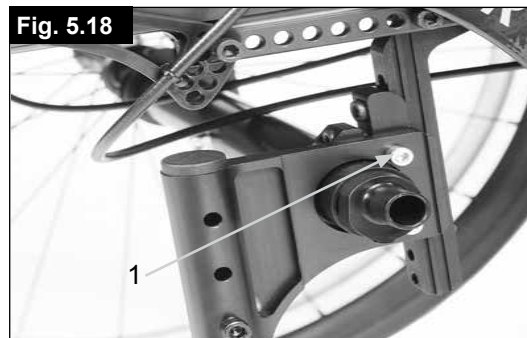
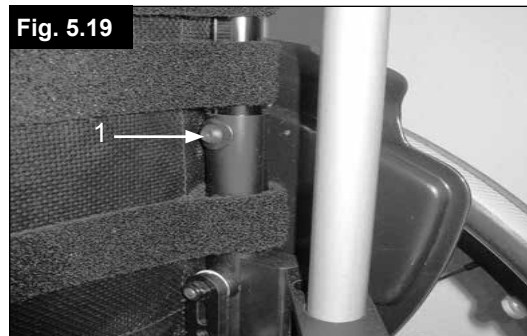
Toile du dossier réglable

Vous pouvez régler la tension de la toile du dossier à l'aide des sangles. Une fente permet d'accéder à la garniture de la toile depuis l'intérieur et la matière choisie peut varier selon les choix individuels.

Dossier à hauteur réglable

Vous pouvez régler la hauteur du dossier à diverses hauteurs, par incréments de 2,5 cm.

Les fourchettes de réglage sont de 20-25 cm, 25-30 cm, 30-35 cm et 35-40 cm. Dévissez la vis (1) et réglez le dossier à la hauteur désirée. Revissez ensuite les vis (Voir la page couples de serrage) (Fig. 5.19).

Fig. 5.18**Fig. 5.19**

Protège-vêtement

Le protège-vêtement du SIMBA a été conçu pour pouvoir recevoir le nouveau frein intégré. Si votre fauteuil n'est pas équipé du frein intégré au protège-vêtement, les ouvertures dans le protège-vêtement sont compensées par des caches, (Fig. 5.20).



L'utilisation du protège-vêtement sans les caches présente un risque de blessure. En l'absence du frein intégré, les caches doivent être insérés dans le protège-vêtement.

Accoudoir

L'accoudoir est vissé sur le protège-vêtement à la position désignée.

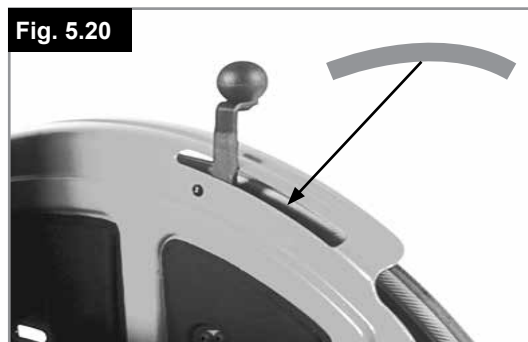
L'accoudoir peut se régler en hauteur.

Tablette

Une tablette thérapeutique peut-être utilisée conjointement aux accoudoirs.

Elle se fixe aux accoudoirs et repose sur les deux accoudoirs

Fig. 5.20



Poignée de poussée



Ne jamais soulever le fauteuil avec l'utilisateur assis dedans.

Poignées de poussée réglables en hauteur

Les poignées sont maintenues en place par des goupilles qui les empêchent de sortir accidentellement. En ouvrant le levier de serrage (1), il est possible de régler individuellement la hauteur des poignées de poussée (2). Lors de l'enclenchement du levier, un clic vous indiquera que vous pouvez mettre aisément la poignée à pousser dans la position souhaitée.

L'écrou du levier de serrage détermine le serrage au niveau du support de la poignée de poussée. Après enclenchement du levier, si l'écrou est desserré, la poignée sera lâche. Avant utilisation, vérifiez que le serrage est suffisant en faisant pivoter latéralement la poignée.

Après avoir réglé la hauteur de la poignée, serrez fermement le levier de serrage (1). Si le levier de serrage n'est pas serré, cela peut être très dangereux lors de la montée d'escaliers (Fig. 5.21 et 5.21.1).



Si les poignées réglables en hauteur ne sont pas correctement positionnées, elles peuvent avoir du jeu ou se déplacer. Vérifiez d'avoir fermement revissé toutes les vis.

Fig. 5.21



Fig. 5.21.1

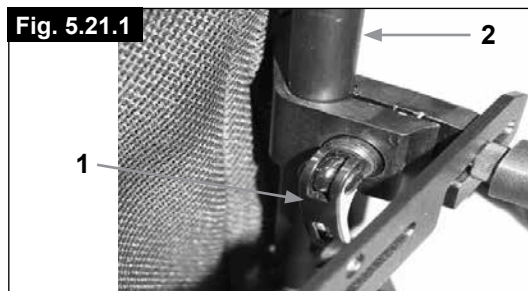
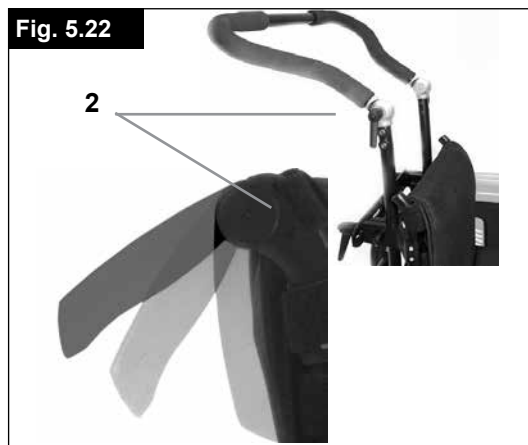


Fig. 5.22



Barre/Poignées de poussée escamotables

Lorsqu'elles ne sont pas utilisées, les poignées peuvent être rabattues. Il suffit pour cela de desserrer les leviers (2). Lorsque vous souhaitez réutiliser les poignées, relevez-les jusqu'à ce qu'elles s'enclenchent, puis resserrez les leviers (Fig. 5.22).

Roulettes anti-bascule

Sunrise Medical recommande l'utilisation de roulettes anti-bascule avec tous les fauteuils. Il convient d'utiliser un couple de serrage de 16 Nm pour la fixation des roulettes anti-bascule (Fig. 5.23)

1. Insertion des roulettes anti-bascule dans le collier :

- Appuyez sur le bouton arrière de la roulette anti-bascule sur le tube d'assemblage, de sorte que les deux goupilles de déverrouillage se rétractent vers l'intérieur.
- Insérez les roulettes anti-bascule (1) dans le tube d'assemblage.
- Tournez le montant antibasculement vers le bas jusqu'à l'enclenchement de la goupille de déverrouillage dans le collier.
- Fixez la deuxième roulette anti-bascule de la même façon.

2. Réglage des roulettes anti-bascule :

Il est nécessaire d'élever ou d'abaisser les roulettes anti-bascule pour obtenir une garde au sol correcte d'une hauteur de 2,5 cm à 5,0 cm.

- Appuyez sur le bouton de déverrouillage de la roulette anti-bascule de sorte que les deux goupilles de déverrouillage se rétractent vers l'intérieur.
- Abaissez ou élevez le montant intérieur pour l'insérer dans les trous de réglage de la hauteur prévus à cet effet.
- Relâchez le bouton.
- Fixez la deuxième roulette anti-bascule de la même façon.
- Les deux roulettes anti-bascule doivent être exactement à la même hauteur.



En l'absence de roulettes anti-bascule, ou si celles-ci ont été mal installées, le fauteuil risque de basculer et de provoquer des blessures.

Fig. 5.23

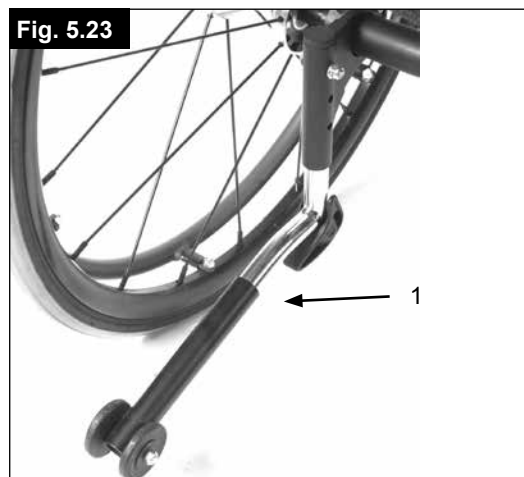


Fig. 5.24



Siège

Sangle :

Retirez les vis sur le côté gauche de la sangle.

Ajustez la matière VELCRO® pour tendre davantage la sangle du siège.

Resserrez les vis.

Si les vis sont difficiles à resserrer, essayez de repérer les trous au moyen d'un objet tranchant. Vérifiez également que la base en plastique est bien positionnée avant de resserrer les vis (5.24).

Extension de la largeur et de la profondeur du siège

Largeur du siège pour croissance :

Le siège peut s'élargir de 2 cm au maximum sans l'ajout de nouvelles pièces.

- Desserrez les vis du repose-pieds et de l'axe, ainsi que les deux barres de stabilisation, au dossier et sous le siège.
- Les tubes télescopiques du repose-pieds, les barres de stabilisation et la barre de carrossage sont à étendre en fonction de la nouvelle largeur du siège. Une fois terminé, vous devez revisser les vis.
- Desserrez les toiles du dossier et du siège à l'aide du Velcro et réglez-les à la largeur supérieure.

Profondeur du siège pour croissance :

La profondeur du siège augmente de 4 cm au maximum sans l'ajout de nouvelles pièces.

Dévissez les vis (A, ill. 5.25) des deux côtés du fauteuil, sur le châssis, et déplacez le composant entier, y compris les tubes du dossier, en position désirée.

Remplacez les vis "A" et serrez-les.

Fig. 5.25

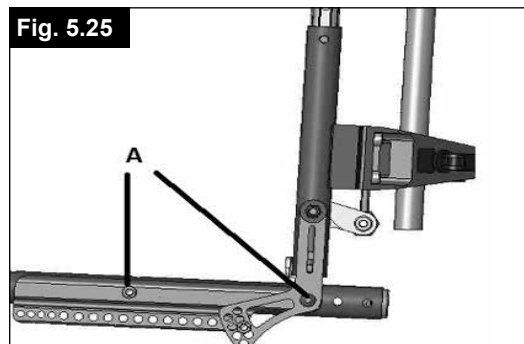


Fig. 5.26



Fig. 5.27



Porte-canne

Porte-canne

Le porte-canne vous permet de toujours transporter votre canne avec vous. Une bande Velcro sert à fixer la canne ou tout autre système d'aide à la marche (5.26).



N'essayez jamais d'utiliser ni d'enlever votre canne ou tout autre système d'aide à la marche pendant que vous vous déplacez en fauteuil.

Pneus et montage des pneus

Le fauteuil est équipé de série de bandage (5.27).



Pour le montage de pneumatiques :

Avec des pneus à chambre à air, veillez à toujours avoir la bonne pression, à défaut de quoi la performance du fauteuil pourrait être affectée. Quand la pression est insuffisante, il faut dépenser plus d'énergie car la résistance du fauteuil est très élevée. La maniabilité du fauteuil en est réduite. Le pneu peut éclater si la pression est trop élevée. La pression correcte est indiquée sur la surface du pneu.

Les pneus se montent comme des pneus de vélo courants. Avant de remplacer la chambre à air, inspectez la jante et la paroi interne du pneu et enlevez tout éventuel corps étranger. Vérifiez la pression des pneus après le montage ou la réparation. Une pression correcte et un excellent état des pneus constituent des conditions essentielles pour votre sécurité et le comportement du fauteuil.

6.0 Support antéro-latéral (Ceinture sous-abdominale)

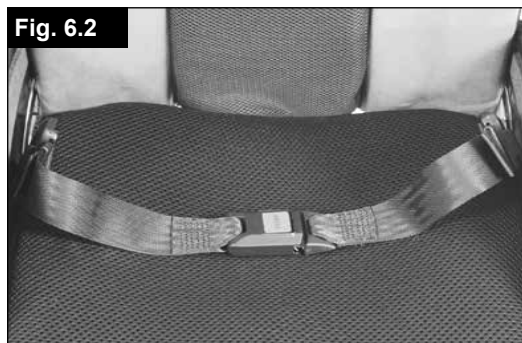
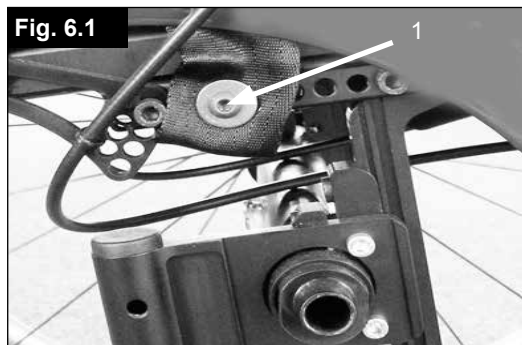
⚠ DANGER !

Avant d'utiliser votre fauteuil roulant assurez-vous que la ceinture sous-abdominale soit mise. La ceinture sous-abdominale doit être contrôlée quotidiennement afin de s'assurer que son fonctionnement n'est pas altéré par des éléments divers ou par l'usure. Toujours vérifier que la ceinture sous-abdominale est bien fixée et correctement réglée avant d'utiliser le fauteuil. Une sangle trop lâche peut entraîner le glissement de l'utilisateur et causer un risque de suffocation ou des blessures graves.

La ceinture sous-abdominale est fixée sur le fauteuil comme représenté dans l'illustration. La ceinture de sécurité se compose de 2 moitiés. Elles sont installées en utilisant le boulon de maintien existant du siège fixé à travers l'œillet de la ceinture. La ceinture est passée sous l'arrière du panneau latéral, (1). (Fig. 6.1)

Ajustez la position de la ceinture afin que les attaches soient au centre du siège. (Fig. 6.2).

Pour installer une ceinture sous-abdominale, contactez votre revendeur agréé Sunrise Medical.



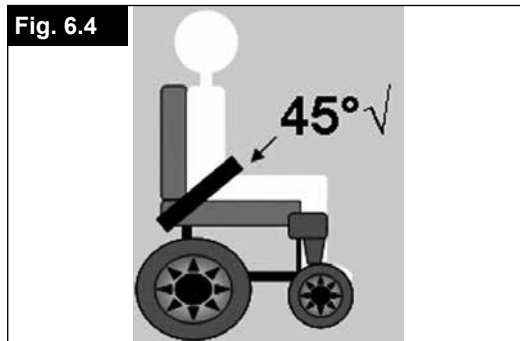
Ajustez la ceinture sous-abdominale afin de convenir aux besoins de l'utilisateur comme ci-après :

Pour réduire la longueur de la ceinture	Pour augmenter la longueur de la ceinture
<p>Passez la ceinture par l'attache male et le dispositif de réglage coulissant. Assurez-vous que la ceinture n'ait pas de nœud au niveau de l'attache male.</p>	<p>Passez la ceinture par les dispositifs de réglage coulissant et l'attache male afin d'obtenir plus de longueur de ceinture.</p>



Une fois la ceinture attachée, vérifiez l'espace entre la ceinture pelvienne et l'utilisateur : Si la ceinture est correctement réglée, vous pouvez passer la main à plat entre la ceinture sous-abdominale et l'utilisateur. (Fig. 6.3).

La ceinture sous-abdominale doit être fixée de façon à ce que la ceinture soit à un angle de 45 degrés au travers du bassin de l'utilisateur. L'utilisateur doit être bien droit et le plus à l'arrière possible dans le siège quand réglée correctement. La ceinture sous-abdominale ne doit pas permettre à l'utilisateur de glisser du siège.
(Fig. 6.4)



	
<p>Pour attacher la ceinture : Poussez l'attache male de façon ferme dans l'attache femelle.</p>	<p>Pour retirer la ceinture : Appuyez sur les parties exposées de l'attache male vers le centre tout en tirant doucement pour les séparer.</p>

AVERTISSEMENT !

- Si vous avez des doutes au sujet de l'utilisation et de la manipulation de la ceinture demandez l'assistance de votre professionnel de la santé, de votre fournisseur du fauteuil roulant, de votre aide-soignant ou de votre tierce personne.
- La ceinture sous-abdominale ne doit être installée que par un revendeur ou agent Sunrise Medical autorisé.
- La ceinture sous-abdominale doit être ajustée par un professionnel uniquement, ou un revendeur ou agent Sunrise Medical autorisé.
- La ceinture sous-abdominale doit être contrôlée quotidiennement afin de s'assurer que l'ajustement est correct et que son fonctionnement n'est pas altéré par des éléments divers ou par l'usure.
- Sunrise Medical déconseille le transport de toute personne dans un véhicule utilisant la ceinture sous-abdominale en tant que moyen de retenue.



Veillez consulter la brochure du transit Sunrise Medical afin d'obtenir des conseils sur le transport des personnes.

Entretien :

Vérifiez régulièrement l'état de la ceinture et des composants de retenue afin de détecter l'apparition d'éventuels signes d'endommagement ou de déchirure. Remplacez la ceinture, si nécessaire.

AVERTISSEMENT !

La ceinture sous-abdominale doit être réglée de façon à s'adapter à l'utilisateur comme détaillé ci-dessus. Sunrise Medical recommande que la longueur et l'ajustement de la ceinture soient vérifiés régulièrement afin de réduire les risques de réajustement de la ceinture à une longueur excessive causés par inadvertance par l'utilisateur final.

7.0 Dépannage

Le fauteuil tire sur le côté

- Vérifiez la pression des pneus.
- Vérifiez que la roue (roulement, axe) roule sans problèmes.
- Vérifiez l'angle des roues avant
- Vérifiez si les roues avant sont toutes les deux en contact avec le sol.

Les roues avant oscillent

- Vérifiez l'angle des roues avant
- Vérifiez que les visseries sont fixes, resserrez-les le cas échéant (voir la page des couples de serrage)
- Vérifiez si les roues avant sont toutes les deux en contact avec le sol.

Fauteuil / les tubes du croisillon ne s'enclenchent pas dans le guide du siège

- Le fauteuil est encore neuf et la garniture du siège ou du dossier est encore rêche. Cela changera avec le temps.

Le fauteuil est difficile à plier

- La toile du dossier est trop tendue. Détendez-la un peu.

Le fauteuil grince et cliquette

- Vérifiez que les visseries sont fixes, resserrez-les le cas échéant (voir la page des couples de serrage)
- Graissez légèrement les parties articulées.

Le fauteuil a du jeu

- Vérifiez l'angle des roues avant
- Vérifiez la pression des pneus.
- Vérifiez si les roues arrière sont réglées différemment.

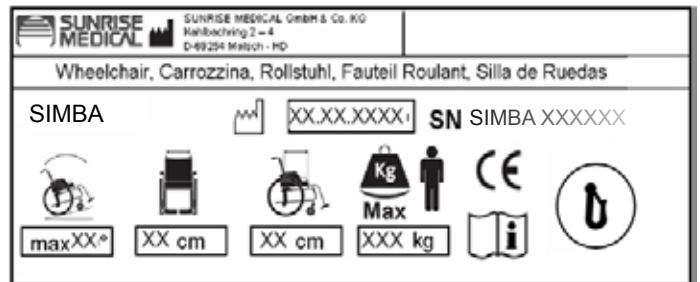
8.0 Plaque signalétique

Plaque signalétique

La plaque signalétique se trouve sur les tubes du croisillon, ainsi que sur une étiquette dans le manuel d'utilisation. La plaque indique la dénomination exacte du modèle et fournit diverses informations techniques. Pour une commande de pièces de rechange ou une réclamation, indiquez SVP les informations suivantes :

- Numéro de série
- Numéro de commande
- Mois/Année

ECHANTILLON



	Désignation du produit/Numéro de SKU
	Pente maximale pouvant être abordée par le fauteuil équipé de roulettes anti-bascule. Dépend de la configuration du fauteuil, de la posture et des capacités physiques de l'utilisateur.
	Symbole du fabricant
	Largeur d'assise.
	Profondeur (maximum).
	Charge maximale.
	Marquage CE
	Manuel d'utilisation.
	Essais de choc.
	Date de fabrication.
	Numéro de série.

Contrôle de sécurité

En tant qu'utilisateur, vous êtes le mieux placé pour remarquer toute éventuelle anomalie. Par conséquent, nous vous recommandons de contrôler les éléments suivants avant chaque utilisation :

- la pression des pneus est correcte.
- les freins fonctionnent correctement.
- tous les organes amovibles sont correctement attachés (par ex. accoudoirs, potences de repose-pieds, axes à déverrouillage rapide ...).
- En cas d'endommagement ou de dysfonctionnement, contactez votre revendeur agréé.

Entretien

- Contrôlez la pression des pneus à intervalles réguliers.
- Inspectez tous les pneus afin de déceler tout signe d'usure ou d'endommagement, à intervalles réguliers, au moins une fois par an. Changez les pneus dès l'apparition de signes d'usure ou d'endommagement.
- Inspectez le siège et la toile du dossier afin de déceler tout signe d'usure ou d'endommagement, à intervalles réguliers, au moins une fois par an. Remplacez-les dès l'apparition de signes d'usure ou d'endommagement.
- Inspectez tous les composants du châssis et du dossier afin de déceler tout signe d'usure ou d'endommagement, à intervalles réguliers, au moins une fois par an. Remplacez-les dès l'apparition de signes d'usure ou d'endommagement.
- Inspectez les freins afin de déceler tout signe d'usure ou d'endommagement, à intervalles réguliers, au moins une fois par an. Vérifiez qu'ils fonctionnent correctement et qu'ils sont faciles à actionner. Changez les freins dès l'apparition de signes d'usure ou d'endommagement.
- Vérifiez que tous les boulons sont bien serrés (Voir la section sur les couples de serrage), à intervalles réguliers, au moins une fois par an. Tous les boulons essentiels à une utilisation sécurisée du fauteuil sont dotés d'écrous freinés. Les écrous de sécurité ne doivent être utilisés qu'une seule fois. Après une utilisation répétée, vous devez remplacer ces écrous.
- Les axes à déverrouillage rapide doivent être légèrement graissés avec de l'huile pour machine à coudre environ toutes les 8 semaines. Suivant l'utilisation que vous faites de votre fauteuil, nous vous recommandons de demander à votre revendeur d'effectuer un contrôle de votre fauteuil tous les 6 mois.
- Entreposez toujours le fauteuil dans un endroit sec.

Si vous souhaitez entreposer le fauteuil pendant une période prolongée, aucune mesure supplémentaire n'est requise. Veillez à entreposer le fauteuil roulant à température ambiante dans un endroit sec, à l'abri du soleil. Avant de le réutiliser, le fauteuil roulant doit faire l'objet d'une révision effectuée par un revendeur agréé.

ATTENTION !

- En présence de valeurs de couples de serrage, nous recommandons vivement l'utilisation d'un outil de mesure du couple afin de vous assurer d'avoir serré les organes à la torsion adéquate.
- N'utilisez que des pièces d'origine ayant été approuvées par Sunrise Medical. N'utilisez pas des pièces provenant de fabricants tiers qui n'auraient pas été approuvés par Sunrise Medical.
- Quand votre fauteuil est sale, nettoyez-le uniquement avec un nettoyeur ménager doux. Nettoyez la toile du siège et la ceinture sous-abdominale à l'eau et au savon uniquement.
- Selon la fréquence et le type d'utilisation de votre fauteuil, il est recommandé de l'amener régulièrement chez votre revendeur agréé, au moins une fois par, afin de le faire réviser par du personnel formé à cet effet.

ATTENTION !

- Le sable, le sel et l'eau de mer peuvent endommager les roulements des roues avant et arrière. Nettoyez et séchez soigneusement le fauteuil s'il a été exposé à ces éléments.
- Si votre fauteuil est humide, séchez-le SVP après utilisation.

Les pièces suivantes sont amovibles et peuvent être renvoyées au fabricant/revendeur pour être réparées :

- Roues arrière
- Accoudoir
- Repose-pieds
- Roulettes anti-basculer

Consignes d'hygiène avant réutilisation :

Avant de laisser une autre personne utiliser le fauteuil, il convient de l'apprêter soigneusement. Toutes les surfaces entrant en contact avec le nouvel utilisateur doivent être désinfectées.

Pour effectuer ceci, vous devez utiliser un désinfectant de la liste DGHM, par ex. Antifect Liquid (Schülke & Mayr) pour une désinfection rapide à base d'alcool pour produits et appareils médicaux, qui doivent être désinfectés rapidement. Suivez bien les consignes du fabricant du désinfectant de votre choix.

En règle générale, une désinfection totale ne peut être garantie sur les coutures. Par conséquent et conformément à l'article 6 de la réglementation relative à la protection contre les infections, il est recommandé de mettre au rebut la toile du siège et du dossier afin d'éviter toute contamination microbactérienne par les agents actifs.

10.0 Caractéristiques techniques

Max. Hauteur totale :	1000 mm
Max. Longueur totale :	850 mm
Max. Rayon de braquage :	650 mm
Pente maximum de sécurité :	10°
Poids :	à partir de 9 kg
Poids sans roues arrière :	à partir de 6,9 kg
Poids de la pièce la plus lourde :	2,1 kg

Max. Largeur :

CARROSSAGE	ROUE ARRIÈRE DE 20"	ROUE ARRIÈRE DE 22"	ROUE ARRIÈRE DE 24"
Carrossage de 0°	LS + 160 mm	LS + 160 mm	LS + 160 mm
Carrossage de 3°	LS + 200 mm	LS + 210 mm	LS + 220 mm
Carrossage de 6°	LS + 260 mm	LS + 270 mm	LS + 280 mm
Carrossage de 9°	LS + 310 mm	LS + 320 mm	LS + 330 mm

Charge maximum :
SIMBA jusqu'à 65 kg

Hauteurs du siège :

Le châssis, la fourche, les roues avant et la taille des roues arrière (20, 22 ou 24 pouces) déterminent la hauteur du siège.

Le fauteuil est conforme aux normes suivantes :

1. Exigences et tests de stabilité statique, résistance aux chocs et résistance à la fatigue (ISO 7176-8)
2. Résistance à l'inflammation (EN 1021-2)

11.0 Mise au rebut / Recyclage des matériaux

Si ce fauteuil a été mis à votre disposition gratuitement, il ne vous appartient pas. Si vous n'en avez plus usage, veuillez le rendre à l'organisation qui vous l'a fourni.

La section suivante décrit les différents matériaux composant le fauteuil en vue de la mise au rebut ou du recyclage du fauteuil et de ses matériaux d'emballage.

Vous devez respecter toute éventuelle réglementation spécifique en vigueur dans votre localité pour la mise au rebut et le recyclage. (notamment le nettoyage ou la décontamination du fauteuil roulant avant sa mise au rebut).

Aluminium : Fourches, roues, protège-vêtement, cadre des accoudoirs, repose-pieds, poignées de poussée,

Acier : Points d'arrimage, axe à déverrouillage rapide.

Plastique : Revêtement des poignées, butées des montants, roues avant, palette, manchettes et roue/pneu 12 pouces

Emballage : Sacs en plastique composés de polyéthylène, cartons.

Toile : Polyester tissé à revêtement PVC et mousse expansée à combustion modifiée.

La mise au rebut ou le recyclage doit être assuré par un agent spécialisé ou une décharge agréée. Vous pouvez également renvoyer votre fauteuil roulant à votre revendeur qui se chargera de sa mise au rebut.



Prefazione

Gentile Cliente,

ci congratuliamo con Voi per aver scelto un prodotto SUNRISE MEDICAL di alta qualità.

Questo manuale per l'uso contiene numerosi suggerimenti ed indicazioni che serviranno a rendere più familiare ed affidabile la Vostra carrozzina.

Il concetto di "vicinanza al cliente" è di grande importanza per Sunrise Medical. Desideriamo tenerVi al corrente sulle novità e gli sviluppi futuri della nostra azienda. Essere vicini ai clienti significa offrire servizi rapidi, ridurre il più possibile le pratiche burocratiche, collaborare con il cliente. Se un cliente ha bisogno di accessori o parti di ricambio, oppure ha un dubbio sulla sua carrozzina, noi siamo qui per offrire assistenza.

Desideriamo che siate soddisfatti dei nostri prodotti e dell'assistenza ricevuta. Sunrise Medical è costantemente impegnata a sviluppare ulteriormente i suoi prodotti. È quindi possibile che vengano apportate modifiche ai prodotti proposti e ai relativi modelli per quanto riguarda la forma, la tecnologia e l'equipaggiamento. Per questa ragione, eventuali reclami basati sui dati e sulle figure riportati in questo manuale d'uso non saranno accettati.

Il sistema di gestione di SUNRISE MEDICAL è certificato secondo gli standard EN ISO 9001, ISO 13485 e ISO 14001.



In qualità di fabbricante, SUNRISE MEDICAL dichiara che le carrozzine superleggere sono conformi alla linea guida 93/42/CEE.

Per qualsiasi domanda sull'uso, la manutenzione o la sicurezza della Vostra carrozzina Vi preghiamo di rivolgerVi al rivenditore autorizzato di prodotti SUNRISE MEDICAL della Vostra zona.

Se nella Vostra zona non è presente un rivenditore autorizzato, oppure se avete domande, potete contattare Sunrise Medical.

Sunrise Medical S.r.l.
Via Riva, 20 - Montale
29122
Piacenza

Italia
Tel.: 0523 573111
Fax: 0523 570060
www.SunriseMedical.it

IMPORTANTE:



PRIMA DI UTILIZZARE LA CARROZZINA, LEGGERE ATTENTAMENTE IL PRESENTE MANUALE.

Utilizzo

Le carrozzine sono destinate esclusivamente all'uso personale da parte di utenti non in grado di camminare o con mobilità limitata, spinte dall'utente stesso o da un accompagnatore, all'interno e all'esterno.

La portata massima (rappresentata dal peso dell'utente più il peso di eventuali accessori montati sulla carrozzina e di oggetti trasportati dall'utente) è indicata sull'etichetta del numero di serie, situata sulla crociera o sulla barra stabilizzatrice sotto la seduta.

La garanzia è valida soltanto se il prodotto viene impiegato alle condizioni prescritte e secondo le destinazioni d'uso specifiche. La durata prevista della carrozzina è 5 anni. **NON** montare componenti **NON STANDARD** che non siano stati approvati ufficialmente da Sunrise Medical.

Area di applicazione.

La varietà delle opzioni e la struttura modulare consentono l'impiego della carrozzina da parte di utenti non in grado di camminare o con mobilità limitata a causa di:

- Paralisi
- Perdita di uno o di entrambi gli arti inferiori (amputazione)
- Difetti/Deformità degli arti inferiori
- Contratture/Danni articolari
- Malattie quali insufficienza cardiaca o respiratoria, disturbo dell'equilibrio o cachessia. È adatta anche per persone più anziane con forza sufficiente nella parte superiore del corpo.

Per la scelta del modello, occorre anche considerare la statura e il peso corporeo, le condizioni psicofisiche, l'età dell'utente e l'ambiente in cui vive.

1.0 Note generali sulla sicurezza e limitazioni di guida	74
2.0 Trasportabilità	77
3.0 Garanzia	79
4.0 Uso	80
5.0 Opzioni	80
Pedana per ribaltamento	80
Freni	80
Regolazione dell'angolo pedana	81
Ruota anteriore	82
Seduta	82
Allineamento delle ruote	83
Schienale	84
Spondina	85
Maniglie di spinta	85
Ruotine antiribaltamento	86
Seduta	86
Regolazione della larghezza e della profondità della seduta	87
Portastampelle	87
Pneumatici e loro montaggio	87
6.0 Supporto laterale anteriore (cintura pelvica)	88
7.0 Risoluzione dei problemi	90
8.0 Targhetta di identificazione	90
9.0 Manutenzione e cura	91
10.0 Dati tecnici di riferimento	92
11.0 Smaltimento / Riciclaggio dei materiali	92

3.1 Definizione dei termini usati in questo manuale

Termine	Definizione
 ATTENZIONE!	Informa l'utilizzatore di possibili rischi di gravi lesioni o di decesso nel caso in cui la raccomandazione non venga seguita
 AVVERTENZA!	Informa l'utilizzatore di rischi nel caso in cui la raccomandazione non venga seguita
 ATTENZIONE!	Informa l'utilizzatore dei possibili rischi all'apparecchiatura nel caso in cui la raccomandazione non venga seguita
NOTA:	Raccomandazione generale o procedura consigliata
	Riferimento a documentazione supplementare

NOTA:

È possibile che le carrozzine illustrate e descritte nel presente manuale differiscano leggermente dal modello acquistato. Tuttavia, tutte le istruzioni sono pertinenti, a prescindere dalle differenze nei dettagli. Il produttore si riserva il diritto di alterare senza preavviso i pesi, le misure e altri dati tecnici riportati nel presente manuale. Tutti i numeri, le misure e le capacità riportati nel presente manuale sono approssimativi e non costituiscono delle specifiche.

NOTA:

Si prega di scrivere l'indirizzo e il numero di telefono del rivenditore autorizzato nello spazio apposito. In caso di guasto rivolgersi immediatamente al tecnico autorizzato fornendo tutti i dettagli pertinenti in modo che vi possa aiutare rapidamente.

Firma e timbro del rivenditore

1.0 Note generali sulla sicurezza e limitazioni di guida

ATTENZIONE!

La carrozzina è stata progettata e costruita per garantire la massima sicurezza dell'utente. Tutte le norme sulla sicurezza vigenti a livello internazionale vengono strettamente osservate se non addirittura superate. Ciononostante l'utente può trovarsi in situazioni di pericolo se la carrozzina viene utilizzata in modo non appropriato. Per garantire la sicurezza dell'utente, è assolutamente necessario rispettare le seguenti regole.

Modifiche o regolazioni eseguite in modo errato o da personale non autorizzato aumentano il rischio di incidenti. Quali utenti di una carrozzina, l'utente prende parte alla circolazione stradale. Per questo motivo desideriamo ricordare che l'utente ha l'obbligo di rispettare le regole vigenti sulla circolazione stradale.

Durante il primo utilizzo, prestare moltissima attenzione. Familiarizzare con la nuova carrozzina.

Prima di ogni spostamento, effettuare controlli sulle parti seguenti:

- asse delle ruote posteriori ad estrazione rapida
- velcro sulla superficie della seduta e sullo schienale
- copertoni, pressione degli pneumatici e freni.

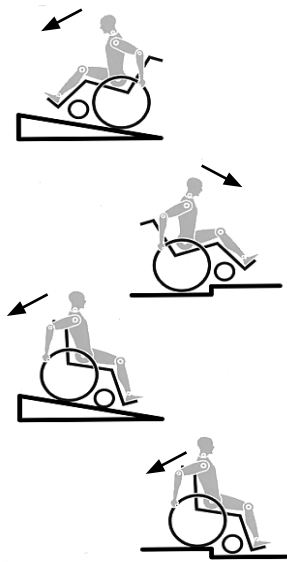


Prima di procedere ad una qualsiasi modifica delle regolazioni, è importante leggere il relativo capitolo del manuale d'uso.

È possibile che durante percorsi in salita o in discesa la carrozzina possa correre il rischio di ribaltarsi a causa di buche nel terreno o di un fondo irregolare. Per salire avanti su un gradino o percorrere una salita, consigliamo di piegare il corpo in avanti.

- L'utente e gli oggetti eventualmente trasportati sulla carrozzina non devono MAI superare la portata massima di 65 kg. Per la scelta delle opzioni, il cui peso viene indicato separatamente, tenere presenti le informazioni sulla portata. Se si supera la portata massima, la carrozzina può danneggiarsi oppure l'utente può cadere, ribaltarsi o perdere il controllo e causare così lesioni gravi a se stesso o ad altre persone.
- Per evitare cadute e situazioni pericolose, esercitarsi inizialmente su un terreno pianeggiante con buona visibilità.
- La carrozzina deve essere utilizzata per trasportare una sola persona per volta. Qualsiasi altro uso non è conforme alla destinazione d'uso.
- Non utilizzare l'appoggiapiedi per salire o scendere dalla carrozzina. Prima dell'operazione, ribaltare la pedana e ruotarla il più possibile verso l'esterno.
- A seconda del diametro e della regolazione delle ruote anteriori nonché del centro di gravità, le ruote anteriori possono vibrare a velocità elevate e quindi bloccarsi causando il ribaltamento della carrozzina. Assicurarsi pertanto che le ruote anteriori siano regolate correttamente (vedere la sezione "Ruote anteriori").
- In particolare in discesa viaggiare a velocità ridotta e mantenere frenata la carrozzina. A velocità superiori, a seconda della configurazione della carrozzina e/o delle condizioni psico/fisiche dell'utente, le ruote anteriori potrebbero vibrare in modo inaspettato con conseguente rischio di lesioni per l'utente.
- Se viene modificato il centro di gravità, osservare con attenzione come si comporta la carrozzina, ad esempio su pendii, superfici inclinate, pendenze di ogni tipo o quando si superano degli ostacoli. Durante questa operazione, chiedere l'aiuto di un assistente.
- Gli utenti inesperti devono utilizzare le routine antiribaltamento.
- Le routine antiribaltamento impediscono alla carrozzina di ribaltarsi accidentalmente all'indietro. Non utilizzarle mai al posto delle ruote da transito o per trasportare un utente in carrozzina senza le ruote posteriori.
- In caso di regolazioni estreme (ad es. se la carrozzina è regolata con le ruote posteriori molto in avanti) e l'utente ha una postura errata, la carrozzina può ribaltarsi anche su una superficie piana.
- Inclinare il tronco in avanti se si sta percorrendo una salita o si deve salire un gradino.
- Sporgere il tronco all'indietro se si sta percorrendo una discesa o si deve scendere da un gradino.
- Quando la carrozzina è dotata di aiuti per la mobilità (supporti per la propulsione manuale per la motorizzazione elettrica etc.), accertarsi che sia dotata di forcelle per le ruote anteriori approvate per tale scopo. In caso di domande, contattare il rivenditore.
- Tenere presente che alcune configurazioni della carrozzina possono prevedere una larghezza superiore a 700 mm. In questo caso, e in alcune circostanze, potrebbe non essere possibile usare alcune, o tutte, le uscite di sicurezza presenti all'interno di un edificio. Potrebbe anche essere più difficile, se non impossibile, utilizzare i mezzi di trasporto pubblico.

Fig. A



ATTENZIONE!

- Non appendere oggetti pesanti, per esempio borse della spesa o zaini, sulle maniglie di spinta, sull'appoggiatesta o sullo schienale della carrozzina.
- Questi pesi potrebbero causare il ribaltamento all'indietro della carrozzina.
- Per raccogliere oggetti situati davanti, di lato o dietro la carrozzina, non sporgersi troppo dalla carrozzina perché se si cambia il centro di gravità si rischia di cadere o ribaltarsi.
- Utilizzare la carrozzina solamente nel modo corretto. Ad esempio, non cercare di superare un ostacolo (uno scalino o il bordo di un marciapiede) senza frenare ed evitare le buche.
- Per salire le scale, chiedere assistenza. Utilizzare gli ausili eventualmente disponibili, ad esempio rampe o ascensori. Se questi ausili non sono disponibili, la carrozzina deve essere inclinata e spinta (mai sollevata) lungo la scala da due persone.
- Se sulla carrozzina sono montate le routine antiribaltamento assicurarsi che siano regolate in modo che non urtino contro i gradini per evitare cadute. Dopo la manovra riposizionare le routine in modo corretto.
- Assicurarsi che l'accompagnatore tenga la carrozzina utilizzando solo le parti ben fissate (ad esempio non la pedana o le spondine).
- Quando si utilizza una rampa, assicurarsi che le routine antiribaltamento siano posizionate in modo da non essere di intralcio.
- Su terreni impervi o in fase di trasferimento (ad esempio in auto) azionare i freni per bloccare la carrozzina.
- Per gli utenti con amputazione sopra il ginocchio utilizzare le routine antiribaltamento.
- Prima di partire, controllare la pressione degli pneumatici. La pressione delle ruote posteriori deve essere almeno 3,5 bar (350 kPa). La pressione massima è indicata sullo pneumatico.
- I freni funzionano soltanto con un'adeguata pressione degli pneumatici ed una corretta regolazione (vedere il capitolo "Freni").
- I freni non sono stati progettati per rallentare la carrozzina. Essi assicurano che le ruote della carrozzina non si muovano in modo inaspettato quando la carrozzina è ferma. Se ci si ferma su una superficie irregolare, azionare sempre i freni. Azionare sempre entrambi i freni al fine di evitare il ribaltamento della carrozzina.
- I freni non sono stati progettati per fermare la carrozzina in movimento.
- In caso di bisogno, utilizzare ascensori o rampe. Se questi ausili non fossero presenti, farsi aiutare da un accompagnatore. Gli accompagnatori devono impugnare esclusivamente le parti fisse della carrozzina. Le routine antiribaltamento, se montate sulla carrozzina, devono essere richiuse. Se l'utente è seduto in carrozzina, la carrozzina non deve essere sollevata, ma solamente spinta.

ATTENZIONE!

- Se il rivestimento della seduta o dello schienale risultasse danneggiato, sostituirlo immediatamente.
- Non usare i tubi dello schienale o le maniglie di spinta per sollevare o trasportare la carrozzina.
- Non montare sulla carrozzina apparecchiature elettroniche non approvate da Sunrise Medical, comandi di mobilità manuali o elettronici, handbike o altri dispositivi che modifichino l'uso previsto della carrozzina o ne alterino la struttura.
- Qualsiasi combinazione con altri dispositivi medici deve essere approvata da Sunrise Medical.
- Fare attenzione ad evitare il contatto con il fuoco, in particolare con le sigarette. I rivestimenti della seduta e dello schienale potrebbero incendiarsi.
- Se e quando possibile, durante il trasporto in un veicolo adeguato per il trasporto di disabili, usare il sedile e il sistema di ritenuta del veicolo. Questo è il solo modo per garantire la massima sicurezza dell'utente in caso di incidente. Su un veicolo attrezzato al trasporto di disabili, usando i sistemi di ritenzione di SUNRISE MEDICAL e un sistema di sicurezza specifico, l'utente può rimanere seduto in carrozzina durante il trasporto (vedere il capitolo "Trasporto").
- Controllare sempre che gli assi ad estrazione rapida sulle ruote posteriori siano montati correttamente e bloccati. Se il pulsante dell'asse ad estrazione rapida non viene premuto, la ruota posteriore non può essere rimossa.
- In particolare, quando si utilizzano corrimani in metallo leggero, le dita si surriscaldano facilmente se si frena ad una velocità elevata o su lunghe discese.
- Se la carrozzina è esposta alla luce diretta del sole per un lungo periodo di tempo, alcune parti (ad es. telaio, pedane, freni e protezioni laterali) potrebbero riscaldarsi eccessivamente (>41 °C).
- Per evitare lesioni alle mani non infilare le dita tra i raggi o tra la ruota posteriore e il freno durante la guida.
- Quando si viaggia all'aperto, indossare sempre guanti in pelle per migliorare la presa e proteggere le dita da sporcizia e scottature.
- Non usare la carrozzina su pendii > 10°.
- La pendenza superabile in movimento dipende dalla configurazione della carrozzina, dalle capacità dell'utente e dallo stile di guida. Dal momento che non è possibile conoscere in anticipo le capacità dell'utente e il suo stile di guida, la pendenza superabile massima è un parametro che non può essere definito in anticipo e deve pertanto essere determinata dall'utente con l'aiuto di un accompagnatore per evitare di cadere. Si raccomanda agli utenti inesperti di montare le routine antiribaltamento.
- Non usare la carrozzina su terreni fangosi o ghiacciati.
- Non usare la carrozzina in aree vietate ai pedoni.
- Fare attenzione a non rimanere intrappolati con le dita nelle parti mobili. Maneggiare con cura.
- Non utilizzare la carrozzina in caso di pioggia intensa, su superfici coperte di neve, scivolose o instabili.
- Non usare la carrozzina in ambienti pericolosi.

AVVERTENZA!

PERICOLO DI SOFFOCAMENTO – Questo ausilio per la mobilità contiene piccole parti che possono costituire un rischio di soffocamento per i bambini piccoli.

AVVERTENZA!

Le regolazioni della carrozzina, in particolare quelle che coinvolgono componenti relativi alla sicurezza, devono essere eseguite da un rivenditore autorizzato. Questo vale per le regolazioni dei freni, delle ruote antiribaltamento, dell'inclinazione e dell'altezza dello schienale, della lunghezza della pedana, del baricentro, della cintura pelvica, della convergenza e della campanatura delle ruote posteriori, dell'altezza della seduta e della convergenza e della stabilità direzionale delle forcelle delle ruote anteriori.

NOTA:

- L'efficienza del freno, come anche la tenuta generale su strada, dipendono dalla pressione degli pneumatici. La carrozzina si manovra molto meglio e più facilmente quando le ruote posteriori sono gonfiate correttamente, entrambe alla stessa pressione.
- Controllare lo stato dei battistrada degli pneumatici!
- Quando si circola su strade pubbliche, si deve rispettare il codice di circolazione stradale.
- In condizioni di oscurità, si raccomanda di indossare indumenti chiari o con applicazioni riflettenti per essere meglio visibili. Controllare che i catarifrangenti applicati sui lati e sul retro della carrozzina siano ben visibili. Si raccomanda anche di montare un fanale.
- Fare attenzione a non schiacciarsi le dita quando si utilizza o si regola la carrozzina.
- È possibile che le carrozzine illustrate e descritte nel presente manuale differiscano leggermente dal modello acquistato. Tuttavia, tutte le istruzioni sono pertinenti, a prescindere dalle differenze nei dettagli.
- Il produttore si riserva il diritto di alterare senza preavviso i pesi, le misure e altri dati tecnici riportati nel presente manuale. Tutti i numeri, le misure e le capacità riportati nel presente manuale sono approssimativi e non costituiscono delle specifiche.

Durata

- La durata prevista della carrozzina è 5 anni.

2.0 Trasportabilità

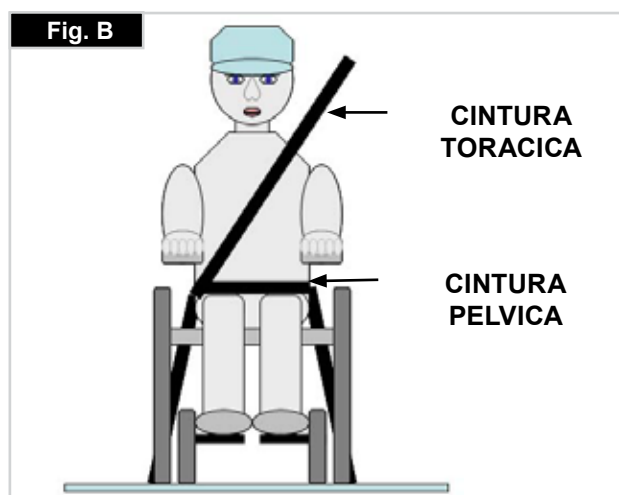
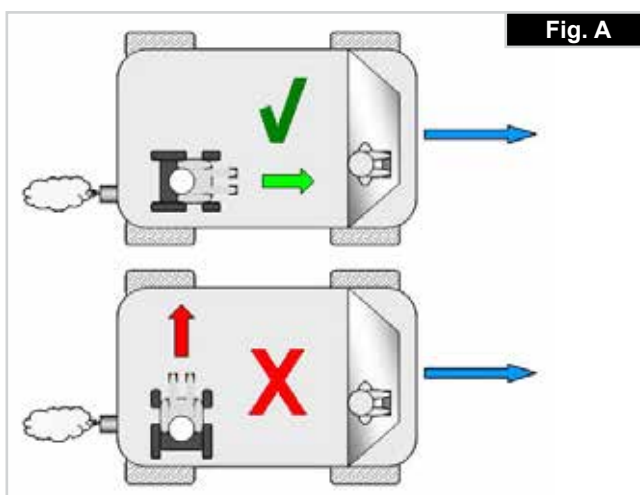
ATTENZIONE!

Il rischio di gravi lesioni o di decesso è elevato se questa raccomandazione viene ignorata.

Trasporto della carrozzina su un veicolo:

Una carrozzina fissata su un veicolo non fornisce lo stesso livello di protezione e sicurezza del sedile del veicolo stesso. Si raccomanda di utilizzare sempre per l'utente il sedile del veicolo. Poiché non è sempre possibile trasferire l'utente sul sedile del veicolo, qualora sia necessario trasportare l'utente seduto in carrozzina, attenersi alle istruzioni seguenti:

1. Verificare che il veicolo sia dotato dell'equipaggiamento adatto per il trasporto di un passeggero seduto in carrozzina ed assicurarsi che le modalità di accesso al veicolo siano idonee al tipo di carrozzina. Il pianale del veicolo deve avere la resistenza necessaria per sostenere il peso complessivo dell'utente, della carrozzina e degli accessori.
2. Attorno alla carrozzina deve essere disponibile uno spazio sufficiente per consentire un facile accesso per agganciare, stringere e sganciare le cinghie di ancoraggio della carrozzina e le cinghie di ritenuta per l'utente.
3. La carrozzina occupata deve essere rivolta in avanti e fissata con le cinghie di ancoraggio della carrozzina e le cinghie di ritenuta per l'utente (sistemi WTORS che soddisfino i requisiti dello standard ISO 10542 o SAE J2249) e che vengano usati secondo le istruzioni WTORS del produttore.
4. L'utilizzo della carrozzina in altre posizioni all'interno di un veicolo non è stato testato. Ad esempio, non trasportare mai la carrozzina rivolta lateralmente (Fig. A).
5. La carrozzina deve essere fissata con un sistema di ritenuta ad ancoraggio a norma ISO 10542 o SAE J2249 con cinghie anteriori non regolabili e cinghie posteriori regolabili dotate generalmente di fermi Karabiner/ganci a S e supporti di fissaggio con fibbia e linguetta. Questi sistemi di ritenuta comprendono normalmente 4 cinghie separate da agganciare ciascuna ad un angolo della carrozzina.
6. Le cinghie di ancoraggio devono essere fissate al telaio centrale della carrozzina, come illustrato nell'immagine nella pagina seguente, e non ad altri attacchi o accessori, ad es. non attorno ai raggi delle ruote, ai freni o agli appoggiapiedi.
7. Agganciare le cinghie di ancoraggio in modo che l'inclinazione sia il più vicino possibile a un angolo di 45° e stringerle bene seguendo le istruzioni del fabbricante.
8. Non modificare o sostituire i punti di ancoraggio o la struttura, il telaio o i componenti della carrozzina senza consultare il fabbricante. La mancata osservanza di questa avvertenza farà sì che la carrozzina Sunrise Medical non sia più considerata idonea al trasporto su un veicolo a motore.
9. Usare sia la cintura pelvica sia la cintura toracica per assicurare l'utente e ridurre la possibilità di impatto della testa e del torace con i componenti del veicolo e il conseguente grave rischio di lesioni all'utente e agli altri occupanti del veicolo. (Fig. B) La cintura toracica deve essere fissata al montante "B" del veicolo; la mancata osservanza di questa istruzione può aumentare il rischio di gravi lesioni addominali all'utente.
10. Installare un appoggiatesta idoneo per il trasporto (si veda l'etichetta sull'appoggiatesta) e posizionarlo sempre adeguatamente durante il trasporto.
11. Non utilizzare come sistemi di ritenuta in un veicolo in movimento supporti posturali per l'utente (cinghie pelviche, cinture pelviche) che non siano etichettati a norma dei requisiti specificati nello standard ISO 7176-19:2001 o SAE J2249.
12. La sicurezza dell'utente durante il trasporto dipende dall'accuratezza impiegata nell'assicurare le cinghie di ancoraggio. Questa operazione deve essere eseguita da persone che abbiano ricevuto adeguate istruzioni e/o addestramento per l'uso.
13. Quando possibile, rimuovere e riporre tutta l'attrezzatura ausiliaria della carrozzina, per esempio:
 14. portastampelle, cuscini e tavolini.
 15. La pedana articolata/elevabile non deve essere usata in posizione elevata durante il trasporto di carrozzina e utente, con la carrozzina fissata mediante i sistemi di ritenuta idonei.
 16. Se lo schienale è reclinato, riportarlo in posizione verticale.
 17. Il freno deve essere attivato.
 18. Fissare i sistemi di ritenuta al montante "B" del veicolo e assicurarsi che tra le cinture e il corpo non vi siano componenti della carrozzina, come braccioli o ruote.



Istruzioni per l'applicazione dei sistemi di ritenuta:

1. Indossare la cintura pelvica bene in basso, contro il bacino, in modo che l'angolo in inclinazione sia compreso tra 30 e 75 gradi rispetto al piano orizzontale.
2. Si consiglia di regolare la cintura in modo che l'angolo sia il più vicino possibile a 75 gradi, ma non li superi. (Fig. C).
3. Far passare la cintura toracica sopra la spalla e lungo il torace come illustrato nelle Figure D ed E.
4. Stringere le cinture di ritenuta il più possibile, assicurando al contempo il comfort dell'utente.
5. Assicurarsi che le cinture di ritenuta non si attorciglino durante l'uso.
6. Far passare la cintura di ritenuta della parte superiore del tronco sopra la spalla e lungo il torace come illustrato nelle Figure D ed E.
7. I punti di attacco alla carrozzina sono la parte laterale anteriore interna, appena sopra la ruota anteriore, e la parte laterale posteriore del telaio. Le cinghie sono fissate intorno alle parti laterali del telaio, nel punto di intersezione tra i tubi orizzontali e verticali. (Vedere Figg. G - H)
8. Il simbolo di ancoraggio (Fig. F) sul telaio della carrozzina indica la posizione delle cinghie per il fissaggio della carrozzina. Le cinghie posteriori devono essere messe in tensione dopo avere fissato le cinghie anteriori per fissare la carrozzina.

PESO DELL'UTENTE INFERIORE A 22 Kg

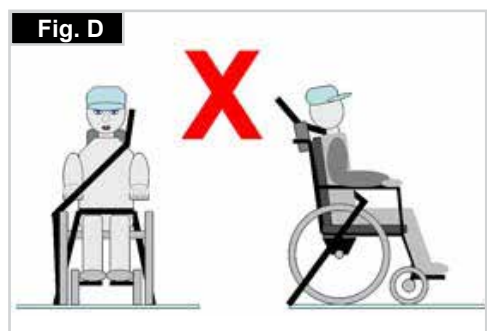
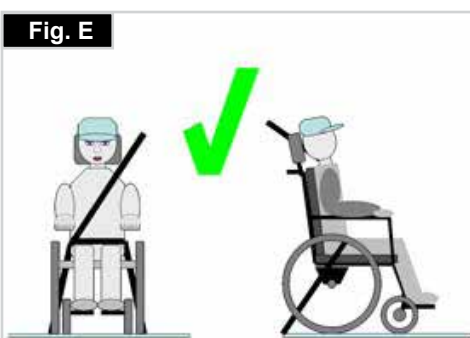
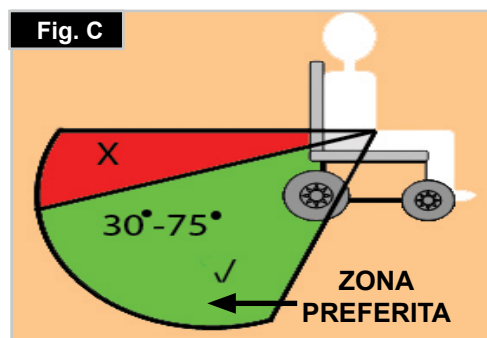
Qualora l'utente da trasportare sia un bambino di peso inferiore a 22 Kg e il veicolo impiegato abbia meno di otto (8) posti passeggero, si raccomanda l'uso di un sistema di ritenuta per bambini (SRB) conforme al Regolamento n. 44 dell'UNECE. Questo tipo di sistema di ritenuta fornisce un ancoraggio più efficace per l'occupante rispetto al sistema convenzionale a 3 punti; inoltre, alcuni sistemi SRB prevedono anche supporti posturali per aiutare a mantenere il bambino in posizione corretta quando è seduto.

In alcune circostanze, genitori o assistenti potrebbero decidere di lasciare il bambino sulla carrozzina durante il trasporto, grazie al livello di controllo della postura e al comfort garantito dall'assetto della carrozzina.

In queste circostanze, si raccomanda di fare effettuare una valutazione dei rischi da parte dell'assistente sanitario o di altre persone competenti.

Trasporto – posizionamento delle cinghie di ancoraggio sulla carrozzina

- La carrozzina è fissata con le cinghie di ancoraggio anteriori. (Fig. G).
- Posizione della cinghia di ancoraggio posteriore della carrozzina (Fig. H).



GARANZIA**QUESTO NON HA ALCUN EFFETTO SUI VOSTRI DIRITTI LEGALI.**

Sunrise Medical* garantisce i propri prodotti secondo i termini di legge.

Condizioni della garanzia

1. Se fosse necessario riparare o sostituire una o più parti della carrozzina entro il periodo di validità della garanzia, come risultato di uno specifico difetto di fabbricazione e/o di materiale, la parte o le parti interessate saranno riparate o sostituite gratuitamente. (Le batterie sono coperte da garanzia per un periodo di 12 mesi a condizione che siano state seguite correttamente le istruzioni di manutenzione)
2. Per far valere la garanzia, contattare il rivenditore Sunrise Medical indicando i dettagli esatti della natura del problema. Nel caso in cui l'utente si trovi in una località lontana dalla sede del tecnico autorizzato Sunrise Medical, la riparazione o la sostituzione richiesta potrà essere eseguita da un altro tecnico designato dal produttore. La carrozzina deve sempre essere riparata da un tecnico autorizzato da Sunrise Medical.
3. Per le parti riparate o sostituite nell'ambito di questa garanzia, verrà fornita una garanzia conforme alle condizioni della presente garanzia per il periodo di garanzia rimanente per la carrozzina.
4. Per le parti di ricambio originali montate sulla carrozzina a spese del cliente vale una garanzia di 12 mesi (a partire dall'installazione), conformemente alle presenti condizioni di garanzia.
5. Le parti soggette a usura come imbottiture, pneumatici, camere d'aria e parti simili non saranno coperte dalla garanzia a meno che non presentino segni di logorio precoce dovuto direttamente a un difetto di fabbricazione.
6. Ai sensi di questa garanzia non saranno accettati reclami qualora una riparazione o la sostituzione di una carrozzina o di una sua parte venga richiesta per i seguenti motivi:
 - a) Il prodotto o una sua parte non sia stato riparato o revisionato in base alle indicazioni del produttore, come indicato nel manuale d'uso e/o nel manuale di manutenzione.
 - b) Non siano state usate solo parti originali.
 - c) Il prodotto, o parte di esso, siano stati danneggiati per negligenza, incidente o uso improprio.
 - d) Al prodotto o ad una sua parte siano stati apportati cambiamenti o modifiche non in accordo con quanto previsto dalle specifiche del produttore.
 - e) Le riparazioni sono state eseguite prima di informare il rivenditore autorizzato Sunrise Medical delle circostanze.
7. Questa garanzia è soggetta alla legislazione del paese in cui è stato acquistato il prodotto Sunrise Medical“

** Indicare il rivenditore Sunrise Medical presso cui è stato acquistato il prodotto.*

4.0 Uso

Assi ad estrazione rapida delle ruote posteriori

Le ruote posteriori sono dotate di assi ad estrazione rapida.

Le ruote possono essere estratte o inserite senza l'uso di utensili.

Per togliere una ruota, è sufficiente premere il pulsante posizionato sull'asse ad estrazione rapida (1) ed estrarla (Fig. 3).

⚠ATTENZIONE!

Per montare le ruote posteriori, l'inserimento dell'asse ad estrazione rapida nel telaio deve avvenire premendo e tenendo premuto il relativo pulsante. Rilasciando il pulsante la ruota sarà ben inserita all'interno del suo supporto. Il pulsante di estrazione rapida deve ritornare nella posizione iniziale.

Trasporto della carrozzina

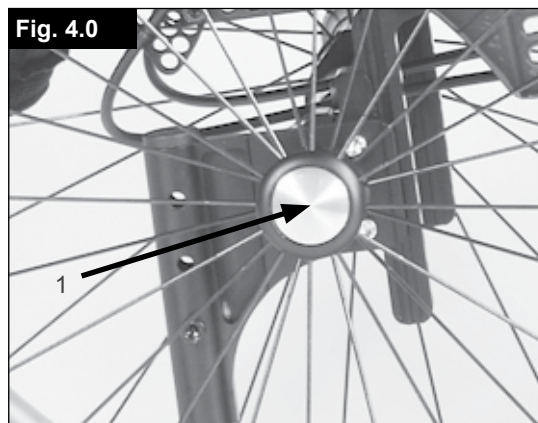
Rimuovere le ruote posteriori per ridurre il più possibile l'ingombro della carrozzina.

Quindi piegare lo schienale tirando l'apposito cordino.

Per spostare la carrozzina senza il bambino seduto, sollevarla afferrando la parte anteriore del rivestimento del sedile e le maniglie di spinta.

Quando si trasporta in un veicolo una carrozzina vuota, sarà necessario comunque fissarla o bloccarla con delle cinghie.

Fig. 4.0



5.0 Opzioni

Pedana per ribaltamento

Questo ausilio aiuta l'accompagnatore ad inclinare la carrozzina per superare un ostacolo. Premere semplicemente con il piede sulla pedana e la carrozzina si inclinerà all'indietro per salire, ad esempio, sul cordolo di un marciapiede, (Fig. 5.1).

Freni

⚠ATTENZIONE!

l'efficienza dei freni può essere compromessa da un montaggio e una regolazione non corretta, oltre che dalla pressione insufficiente degli pneumatici.

Freni

La carrozzina è dotata di due freni. I freni agiscono direttamente sugli pneumatici. Per bloccare la ruota, spostare in avanti entrambe le leve del freno sino al loro arresto. Per sbloccare la ruota, riportare le leve del freno nella posizione di partenza.

L'azione dei freni sarà ridotta in caso di:

- profilo consumato degli pneumatici;
- insufficiente pressione degli pneumatici
- pneumatici bagnati;
- freno regolato non correttamente.

I freni non sono stati progettati per essere azionati quando la carrozzina è in movimento. Non azionare mai i freni durante la guida. Frenare sempre aiutandosi con i corrimani. Verificare che la distanza tra il freno ed lo pneumatico sia conforme alle specifiche. Per la regolazione, allentate la vite (1) e regolate la distanza corretta. Stringere il bullone (vedere la pagina relativa alla coppia di serraggio) (Fig. 5.2).

Freno standard

(Fig. 5.3)

Fig. 5.1



Fig. 5.2

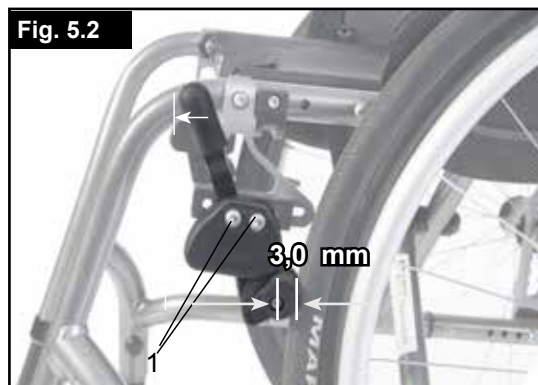


Fig. 5.3



Freno a forbice compatto

I freni a forbice sono montati sotto il telaio della seduta e si azionano tirando la leva all'indietro, verso lo pneumatico. Per operare correttamente, la leva deve essere tirata fino a quando si arresta (Fig. 5.4).



ATTENZIONE!

- È necessario uno sforzo maggiore per azionare un freno montato in modo non corretto. Ciò potrebbe causare la rottura della prolunga della leva dei freni!
- I bulloni di montaggio dei freni non devono essere allentati e/o ulteriormente serrati.

Freno Safari (freno integrato nella spondina laterale):

Il freno Safari si aziona spingendo la leva in avanti (lontano dal corpo dell'utente).

Per disinserire il freno, tirare la leva verso il corpo dell'utente (Fig. 5.5).

Prolunga della leva del freno

La leva più lunga aiuta a ridurre lo sforzo necessario per azionare i freni. La prolunga è avvitata alla leva dei freni.

Sollevandola, può essere spostata in avanti (Fig. 5.6).



ATTENZIONE!

È necessario uno sforzo maggiore per azionare un freno montato in modo non corretto E provarne la rottura.

Regolazione dell'angolo pedana



ATTENZIONE!

- Non premere sull'appoggiapiedi! Esiste il rischio di ribaltamento e di conseguenti lesioni anche se l'utente è ancora seduto in carrozzina.
- Non utilizzare l'appoggiapiedi come punto di appoggio durante il trasferimento per evitare il rischio di ribaltamento e di lesioni.

Regolazione della pedana

Togliendo la vite (1) è possibile regolare la pedana a seconda della lunghezza delle gambe e poi riattaccare la pedana. L'angolazione della pedana è regolabile secondo le esigenze personali (ad eccezione delle pedane con barra) allentando le viti (2). La protezione laterale sulla pedana impedisce che i piedi scivolino involontariamente. Dopo ogni regolazione, controllare che tutte le viti siano ben strette (vedere la pagina relativa alla coppia di serraggio) (Fig. 5.7).

Pedana ribaltabile:

La pedana può essere ribaltata all'indietro per facilitare la salita e la discesa del bambino dalla carrozzina. La pedana può essere ribaltata verso l'alto sollevando la parte anteriore. Per riportare la pedana nella sua posizione originale basta spingere la parte anteriore verso il basso (Fig. 5.8).

Pedana montata alta:

La pedana montata alta viene fissata alla parte interna del telaio e consente una posizione di appoggio più elevata (Fig. 5.9).



ATTENZIONE!

Alle viti/ai bulloni usati in questa carrozzina è stato applicato in fabbrica un fluido blocca filettatura. Successivamente possono essere sostituite oppure fissate nuovamente a media intensità con blocca filettatura.

Fig. 5.4



Fig. 5.5



Fig. 5.6



Fig. 5.7

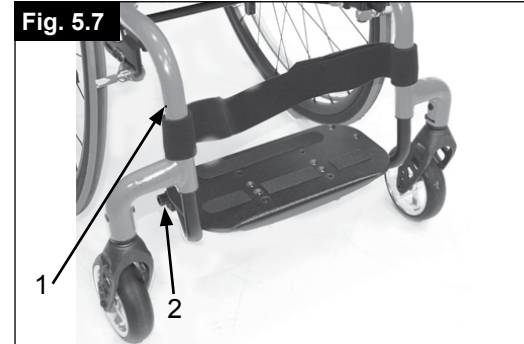


Fig. 5.8

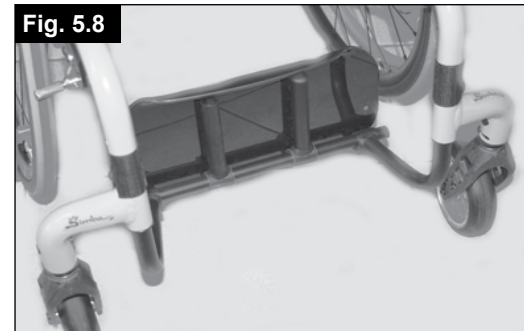


Fig. 5.9



Ruota anteriore

Ruota anteriore, adattatore e forcella

È possibile che la carrozzina viri leggermente verso destra o sinistra o che sia presente una vibrazione nelle ruote anteriori.

I motivi possono essere i seguenti:

- Il movimento della ruota in avanti o all'indietro non è correttamente regolato
- L'angolo delle ruote anteriori non è regolato correttamente
- La pressione delle ruote posteriori e/o delle ruote anteriori non è corretta; le ruote non girano con facilità

Una regolazione corretta delle ruote anteriori è la condizione essenziale per il movimento rettilineo della carrozzina.

La regolazione delle ruote anteriori deve essere sempre eseguita da un tecnico autorizzato. Se la posizione delle ruote posteriori viene modificata, la regolazione delle piastre delle ruote anteriori deve essere sempre verificata.

Regolazione della ruota anteriore

Assicurarsi che le forcelle siano montate parallele, contando il numero di denti visibili su entrambi i lati. Dopo avere regolato le forcelle delle ruote anteriori, i denti ne garantiscono il posizionamento sicuro e consentono di apportare regolazioni con incrementi di 2° per volta fino a 16°. Utilizzare il lato piatto per verificare che le forcelle si trovino ad angolo retto rispetto al terreno.

Grazie al design brevettato, è possibile girare le forcelle delle ruote anteriori e riposizionarle ad angolo retto rispetto al terreno quando si cambia l'angolo della seduta (Fig. 5.10 e 5.11).

Impostazione della stabilità direzionale

Allentare le viti a brugola (1) sotto la forcella. A questo punto è possibile allentare la vite (2). Girare il perno nero (3) verso sinistra o verso destra.

A sinistra: la carrozzina tira verso sinistra

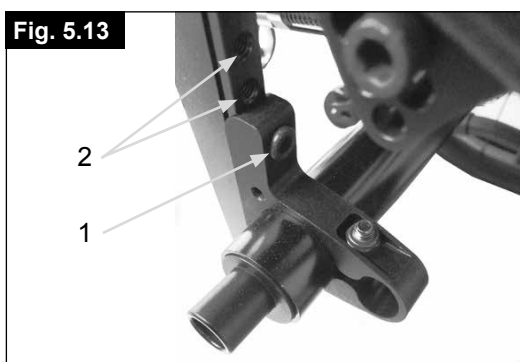
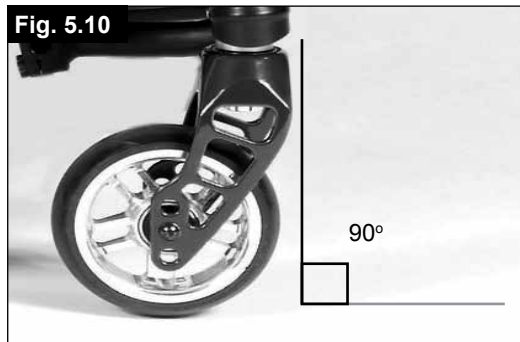
A destra: la carrozzina tira verso destra

Avvitare di nuovo la vite (2). Impostare un angolo di 90° tra la forcella e la superficie del terreno.

A questo punto stringere di nuovo la vite (1). (Fig. 4.16).

ATTENZIONE!

Alle viti/ai bulloni usati in questa carrozzina è stato applicato in fabbrica un fluido blocca filettatura. Successivamente possono essere sostituite oppure fissate nuovamente a media intensità con blocca filettatura.



Seduta

Regolazione dell'altezza del seduta

Per regolare l'altezza posteriore della seduta, allentare e rimuovere le viti Allen (1), (una su ogni lato) che fissano il morsetto (2) alla piastra dell'asse (3). Regolare l'altezza dei due morsetti dei tubi di campanatura e riposizionare le due viti Allen. Prima di stringere le viti, leggere le istruzioni per l'impostazione della convergenza/divergenza su zero.

Stringere le viti in base a una coppia di serraggio di 10 Nm. (Fig. 5.13)

ATTENZIONE!

- quando si modifica l'altezza posteriore della seduta, può essere necessario regolare l'angolo delle ruote anteriori.
- Alle viti/ai bulloni usati in questa carrozzina è stato applicato in fabbrica un fluido blocca filettatura. Successivamente possono essere sostituite oppure fissate nuovamente a media intensità con blocca filettatura.

Allineamento delle ruote

Regolazione dell'allineamento delle ruote

Importante: Perché la carrozzina sia perfettamente manovrabile, è fondamentale l'allineamento corretto delle ruote posteriori da cui dipende la loro posizione ottimale.

Per verificare la correttezza dell'allineamento, misurare la distanza tra le ruote anteriori e le ruote posteriori e controllare che siano tra loro parallele. La differenza tra le due misurazioni non deve superare i 5 mm.

Per allineare le ruote, allentare le viti e girare il manicotto dell'asse sino a quando le ruote non siano parallele. Dopo ogni regolazione, controllare che tutte le viti siano ben strette (vedere la pagina relativa alla coppia di serraggio).

Regolazione della convergenza/divergenza per SIMBA

Impostazione della convergenza/divergenza su zero:

NOTA: se la carrozzina è dotata di tubi di campanatura a 0°, non è possibile modificare la convergenza/divergenza. Queste impostazioni sono necessarie solo se la carrozzina è dotata di tubi per la campanatura a 3°, 6° e 9°.

La convergenza e la divergenza definiscono la posizione delle ruote posteriori rispetto al terreno. Ciò determina le prestazioni della carrozzina. Quando la convergenza è impostata su zero, la carrozzina è caratterizzata da una resistenza o una resistenza all'avanzamento normale.

Per impostare la convergenza/divergenza su zero, seguire la procedura descritta. Allentare le viti Allen (1) (una su ciascun lato) che fissano il morsetto del tubo di campanatura. Controllare che la sfera sia sul piano orizzontale (2). Girare il tubo per la campanatura (3) fino a quando la sfera non si trovi al centro. La convergenza è ora zero.

Prima di stringere le viti (1), assicurarsi che il tubo della campanatura sia centrato, ovvero che lo spazio ai lati sia uguale o che non vi sia spazio. Stringere le viti in base a una coppia di serraggio di 10 Nm (Fig. 5.14 - 5.16).

Fig. 5.14

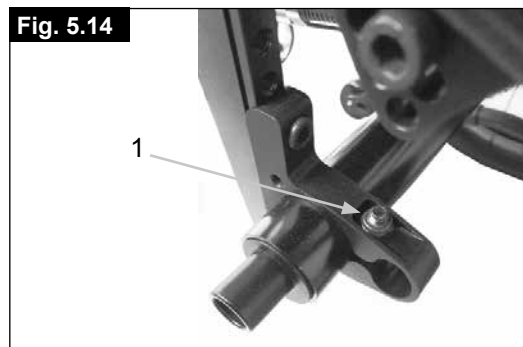
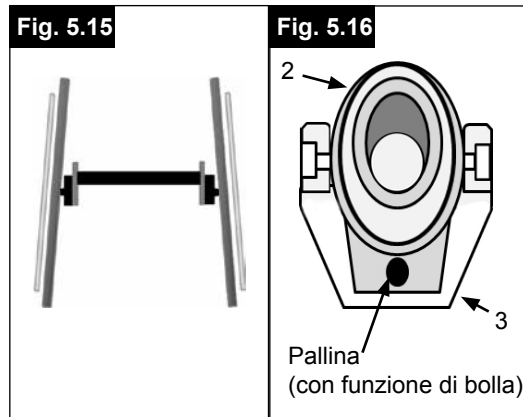


Fig. 5.15



Regolazione della larghezza dell'interasse



quando si regola l'interasse posteriore, regolare prima una ruota e poi l'altra. Se si allentano contemporaneamente entrambi i lati, la regolazione della convergenza/divergenza cambia. Quando si regola l'interasse posteriore, le parti relative (4) del tubo per la campanatura (5) si muovono in modo telescopico verso l'interno o verso l'esterno e si bloccano in posizione quando raggiungono l'estremità. Allentare la vite (6) più vicina al tubo della campanatura sul lato sinistro della carrozzina.

Spostare l'asse ad estrazione rapida verso l'interno o verso l'esterno per impostare l'interasse desiderato. Stringere le viti in base a una coppia di serraggio di 10 Nm. Ripetere la procedura sul lato destro della carrozzina in base all'interasse impostato sul lato sinistro (Fig. 5.17).



Alle viti/ai bulloni usati in questa carrozzina è stato applicato in fabbrica un fluido blocca filettatura. Successivamente possono essere sostituite oppure fissate nuovamente a media intensità con blocca filettatura.

Fig. 5.17



Schienale

Schienale regolabile in angolazione

L'angolo dello schienale si regola modificando la posizione del supporto. Allentare e rimuovere le viti (1) su entrambi i lati. Il supporto può quindi essere regolato fino a raggiungere l'angolo desiderato. Riposizionare e stringere saldamente le viti (1) (Fig. 5.18)



ATTENZIONE!

Le viti devono essere strette nuovamente, Altrimenti si perde la regolazione dell'angolo.

Schienale pieghevole

Sbloccare lo schienale tirando il cordino e spingendo nello stesso tempo in avanti lo schienale per ripiegarlo. Per riportare lo schienale nella posizione originale, spingerlo all'indietro il più possibile fino a che si blocca su entrambi i lati.



ATTENZIONE!

Se lo schienale viene spinto troppo indietro, azionando i freni l'utente può cadere all'indietro. Pertanto, si raccomanda di controllare che entrambi i perni siano bloccati in posizione.



AVVERTENZA!

Quando si ripiega lo schienale, fare attenzione a non rimanere incastrati con le dita.

Schienale in posizione di relax

Per la posizione di relax, impostare l'angolo dello schienale a 10°. Tirare il cordino situato sullo schienale per sbloccarlo, quindi tirarlo all'indietro fino a quando entrambi i montanti dello schienale si bloccano in posizione.



AVVERTENZA!

Se lo schienale viene spinto troppo indietro, azionando i freni l'utente può cadere all'indietro. Pertanto, si raccomanda di controllare che entrambi i perni siano bloccati in posizione.



AVVERTENZA!

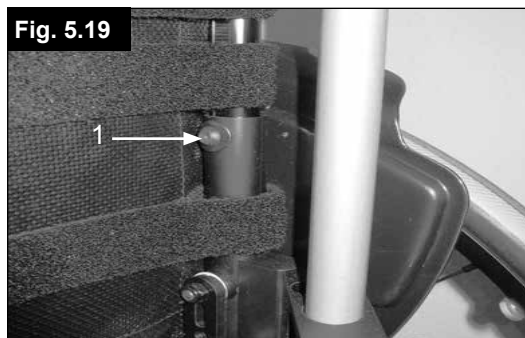
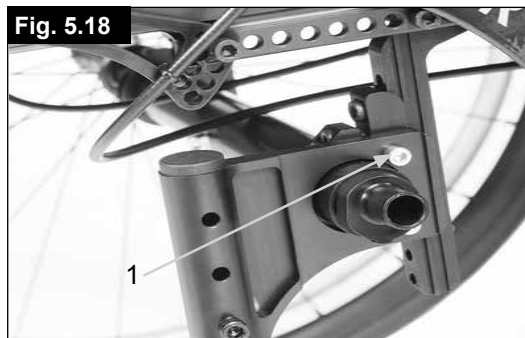
Quando si ripiega lo schienale, fare attenzione a non rimanere incastrati con le dita.

Telo schienale regolabile

Per regolare il telo dello schienale, utilizzare le apposite cinghie. Il rivestimento dello schienale in tela è accessibile dall'interno attraverso un'apertura e può essere imbottito in base ai gusti personali.

Schienale regolabile in altezza

Lo schienale può essere impostato a varie altezze, con variazioni di 2,5 cm. Gli intervalli di regolazione sono 20-25 cm, 25-30 cm, 30-35 cm e 35-40 cm. Svitare ed estrarre i bulloni (1) e spostare i tubi dello schienale nella posizione desiderata. Quindi fissare di nuovo i bulloni (vedere la pagina relativa alla coppia di serraggio) (Fig. 5.19).



Spondina

Le spondine laterali della carrozzina SIMBA sono progettate principalmente per fissare i nuovi freni laterali integrati. Se non sono stati ordinati i freni laterali integrati, le aperture delle protezioni sono coperte da fodere, (Fig. 5.20).



se si usano le spondine laterali senza le fodere, c'è il rischio di lesioni. Se non è montato il freno laterale integrato bisogna coprire le spondine con le relative fodere.

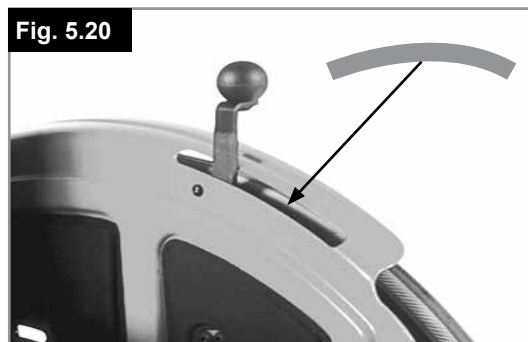
Bracciolo

I braccioli sono fissati nella posizione desiderata sulle spondine laterali con delle viti. L'altezza del bracciolo è regolabile.

Tavolino

Il tavolino terapeutico può essere usato solamente in combinazione con i braccioli. Viene fissato su un bracciolo ed appoggiato su entrambi i braccioli

Fig. 5.20



Maniglie di spinta



Se l'utente è seduto in carrozzina, la carrozzina non deve essere sollevata, ma solamente spinta.

Maniglie di spinta regolabili in altezza

Grazie ad un perno le maniglie di spinta non possono staccarsi involontariamente. Utilizzando la leva di estrazione rapida (1) è possibile regolare l'altezza delle maniglie di spinta (2) a seconda delle esigenze. Spostando la leva potrete udire chiaramente l'attivazione del meccanismo di sblocco; ora potrete muovere facilmente la maniglia di spinta nella posizione desiderata.

Il dado presente sulla leva di blocco determina il blocco delle maniglie di spinta. Se dopo la regolazione della leva di blocco il dado è allentato, anche la maniglia di spinta risulterà allentata. Prima dell'utilizzo muovere da una parte e dall'altra la maniglia di spinta in modo da verificare che sia bloccata nella posizione scelta.

Dopo la regolazione dell'altezza, bloccare sempre la leva di blocco (1). Se la leva di blocco non si trova nella posizione corretta, potrebbe essere pericoloso, ad esempio salire le sale (Fig. 5.21 e 5.21.1).



Se le maniglie di spinta ad altezza regolabile non sono montate correttamente, c'è il rischio che si crei un gioco eccessivo e che le maniglie fuoriescano dalla loro posizione. Verificare che tutte le viti siano strette in modo corretto.

Maniglie/Maniglione di spinta pieghevole

Quando le maniglie di spinta non sono utilizzate per spingere, possono essere ripiegate premendo sulle leve (2). Per utilizzarle nuovamente, spostarle verso l'alto finché non si bloccano nella posizione corretta, e stringere le leve (Fig. 5.22).

Fig. 5.21



Fig. 5.21.1

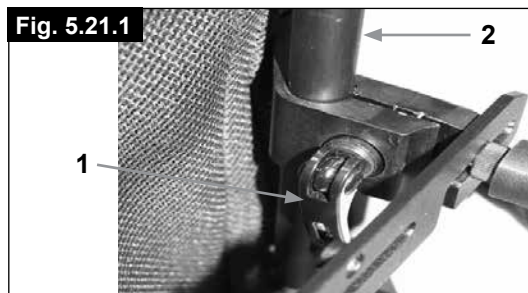
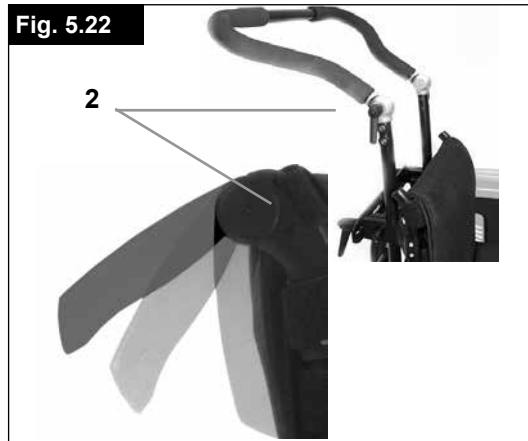


Fig. 5.22



Ruotine antiribaltamento

Sunrise Medical consiglia di montare le ruotine antiribaltamento su tutte le carrozzine. Per montare le ruotine antiribaltamento, usare una coppia di serraggio di 16 Nm (Fig. 5.23)

1. Inserimento delle ruotine antiribaltamento nei morsetti:

- Premere il pulsante posteriore sull'adattatore della ruotina antiribaltamento in modo che il perno di sicurezza rientri.
- Inserire la ruotina antiribaltamento (1) nell'apposito adattatore.
- Abbassare la ruotina antiribaltamento fino a quando il perno di sicurezza non scatta nel morsetto.
- Ripetere la procedura per montare l'altra ruotina antiribaltamento.

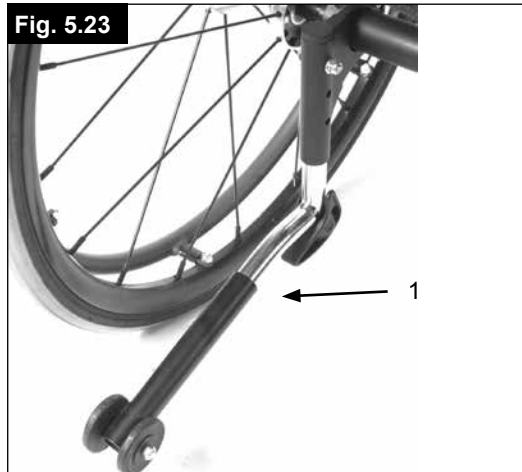
2. Regolazione delle ruotine antiribaltamento:

Alzare o abbassare le ruotine antiribaltamento in modo che siano a una distanza dal terreno compresa tra 2,5 e 5,0 cm circa.

- Premere il pulsante di sblocco della ruotina antiribaltamento in modo che il perno di sicurezza rientri.
- Alzare o abbassare la ruotina antiribaltamento utilizzando gli appositi fori.
- Rilasciare il pulsante.
- Ripetere la procedura per montare l'altra ruotina antiribaltamento.
- Assicurarsi che entrambe le ruotine antiribaltamento si trovino alla stessa altezza.



Se le ruotine antiribaltamento non sono montate, oppure se sono montate in modo non corretto, vi è il rischio di ribaltamento e di lesioni.



Seduta

Rivestimento della seduta:

Rimuovere le viti sul lato sinistro del telo seduta, regolare le strisce di VELCRO® per aumentare la tensione, quindi riposizionare le viti.

Se non si riesce a riposizionare le viti, provare a individuare i fori con un oggetto appuntito. Assicurarsi inoltre che la base in plastica sia nella posizione corretta prima di stringere le viti, (5.24).

Regolazione della larghezza e della profondità della seduta

Regolazione della larghezza della seduta:

La larghezza della seduta può essere aumentata fino a 2 cm senza necessità di altri componenti:

- Allentare le viti della pedana, dell'asse e delle due barre stabilizzatrici dello schienale e sotto la seduta.
- Estendere i tubi telescopici della pedana, le barre stabilizzatrici e il tubo dell'asse per adattarli alla nuova larghezza della seduta. Dopo la regolazione, stringere saldamente le viti.
- Allentare le fodere dello schienale e della seduta usando il Velcro e impostare la larghezza alla misura successiva.

Regolazione della profondità della seduta:

La profondità della seduta può essere aumentata fino a 4 cm senza necessità di altri componenti:

Allentare e rimuovere le viti (Fig. 5.25, A) del telaio della seduta su entrambi i lati della carrozzina e spostare l'intero componente, compresi i tubi dello schienale, fino a raggiungere la posizione desiderata.

Inserire nuovamente i bulloni "A" e stringerli.

Fig. 5.25

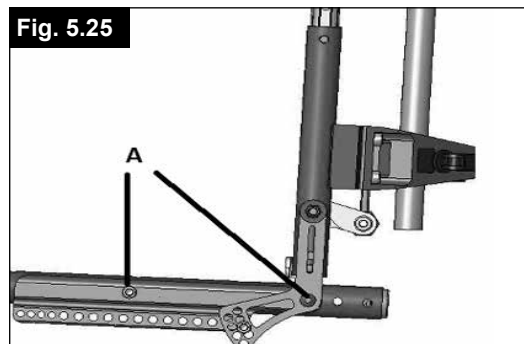


Fig. 5.26



Fig. 5.27



Portastampelle

Portastampelle

Questo accessorio permette di trasportare le stampelle agganciandole alla carrozzina. Un cinturino di Velcro consente di fissare le stampelle, (5.26).



ATTENZIONE!

Non cercare mai di utilizzare o togliere le stampelle o altri ausili mentre la carrozzina è in movimento.

Pneumatici e loro montaggio

Gli pneumatici standard sono di gomma piena, (5.27).



ATTENZIONE!

Quando si montano gli pneumatici:

Assicurarsi che la pressione degli pneumatici sia corretta per non compromettere le prestazioni della carrozzina. Se la pressione è troppo bassa, sarà necessario applicare una forza maggiore per muovere la carrozzina poiché la resistenza al rotolamento è maggiore. La manovrabilità della carrozzina ne risulterà compromessa. Se la pressione è troppo alta si rischia lo scoppio dello pneumatico. La pressione corretta è riportata su ogni singolo copertone.

Il montaggio o la riparazione degli pneumatici avviene come per qualsiasi tradizionale copertone da bicicletta. Prima del montaggio della nuova camera d'aria verificare che nel canale del cerchione e nella parete interna del copertone non siano presenti corpi estranei. Dopo il montaggio o la riparazione controllare la pressione del copertone. La regolazione della pressione ai valori indicati e il buon stato degli pneumatici sono condizioni importanti per la sicurezza e per la prestazione di guida della carrozzina.

6.0 Supporto laterale anteriore (cintura pelvica)

ATTENZIONE!

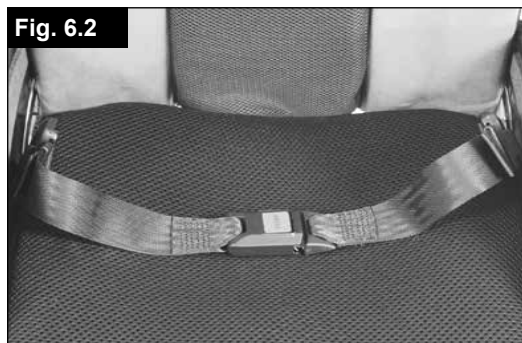
Prima di usare la carrozzina assicurarsi che la cintura pelvica sia agganciata. Controllare la cintura pelvica ogni giorno per individuare segni di usura e per verificare che la chiusura funzioni correttamente.

Assicurarsi sempre che la cintura pelvica sia ben chiusa e regolata prima dell'uso. Se la cintura è eccessivamente allentata, l'utente potrebbe scivolare in avanti e rischiare il soffocamento o lesioni gravi.

La cintura pelvica va fissata alla carrozzina come mostrato nelle figure. La cintura pelvica è composta da due parti. Esse vengono fissate utilizzando il bullone di fermo per il blocco della seduta infilato nell'occhiello della cintura. La cintura viene fatta passare sotto la parte posteriore del pannello laterale, (1). (Fig. 6.1)

Regolare la posizione della cintura in modo che le due parti della fibbia si trovino al centro della seduta. (Fig. 6.2).

Quando è necessario sostituire una cintura pelvica rivolgersi a un rivenditore Sunrise Medical autorizzato.



Regolare la cintura pelvica per adattarla alle esigenze dell'utente nel modo seguente:

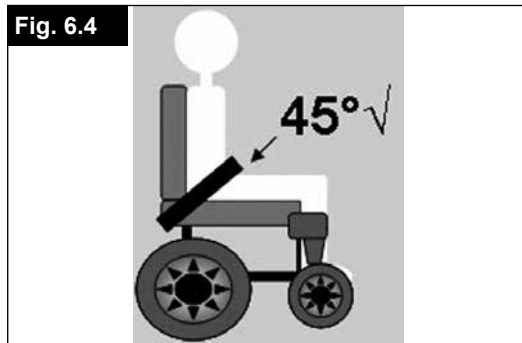
Per diminuire la lunghezza della cintura:	Per aumentare la lunghezza della cintura
Far ripassare la cintura attraverso la fibbia maschio e le guide di regolazione. Controllare che la cintura non sia arrotolata sulla fibbia maschio.	Far passare la cintura attraverso le guide di regolazione e la fibbia maschio per allungare la cintura.



Quando si allaccia la cintura, controllare lo spazio tra la cintura e l'utente. Quando è regolata correttamente, non dovrebbe essere possibile inserire più di una mano piatta. (Fig. 6.3).

La cintura pelvica deve essere fissata in modo che la cinghia si trovi ad un angolo di circa 45 gradi attorno alla vita dell'utente. Se la cintura è regolata correttamente, l'utente deve essere seduto in posizione eretta il più possibile indietro sulla seduta. La cintura pelvica non deve consentire all'utente di scivolare dal sedile.

(Fig. 6.4)



<p>Per chiudere la fibbia: Inserire bene la fibbia maschio nella fibbia femmina.</p>	<p>Per slacciare la cintura: Fare pressione sulle parti esposte della fibbia maschio spingendole verso il centro, tirando contemporaneamente le due parti verso l'esterno.</p>

AVVERTENZA!

- In caso di dubbi sull'uso e il montaggio della cintura pelvica, rivolgersi al personale sanitario, al rivenditore, all'assistente o all'accompagnatore.
- La cintura pelvica deve essere applicata solamente da un rivenditore/ agente autorizzato Sunrise Medical.
- La cintura pelvica deve essere regolata solamente da un tecnico o da un rivenditore/agente autorizzato Sunrise Medical.
- Controllare la cintura pelvica ogni giorno per verificare che sia regolata correttamente e che non sia logora o danneggiata.
- Sunrise Medical consiglia di non trasportare una persona su un altro veicolo usando questa cintura pelvica come metodo di ritenuta.

Fare riferimento al manuale sul Crash Test di Sunrise Medical per maggiori informazioni sul trasporto.

Manutenzione:

Controllare regolarmente la cintura pelvica e i componenti di fissaggio e assicurarsi che non siano logori o danneggiati. Se necessario, sostituirli.

AVVERTENZA!

Regolare la cintura pelvica in base alle necessità dell'utente come descritto precedentemente. Per evitare che l'utente allenti troppo la cintura, si consiglia di controllarne regolarmente la lunghezza e la posizione.

7.0 Risoluzione dei problemi

Se la carrozzina tende a muoversi lateralmente

- Controllare la pressione dei copertoni
- Controllare il regolare rotolamento della ruota (cuscinetti, asse)
- Controllare l'angolazione delle ruote anteriori
- Controllare che entrambe le ruote anteriori siano a contatto con il terreno

Vibrazioni delle ruote anteriori

- Controllare l'angolazione delle ruote anteriori
- Controllare che le viti siano serrate correttamente; se necessario, stringerle nuovamente (vedere la sezione relativa alla coppia di serraggio).
- Controllare che entrambe le ruote anteriori siano a contatto con il terreno

La carrozzina non si apre completamente

- La carrozzina è ancora nuova, quindi il rivestimento della seduta o dello schienale è ancora molto rigido. Questo inconveniente migliora col tempo.

Se la carrozzina si ripiega con difficoltà

- Il rivestimento dello schienale regolabile è troppo rigido. Allentarlo in modo adeguato.

Se la carrozzina cigola e scricchiola

- Controllare che le viti siano serrate correttamente; se necessario, stringerle nuovamente (vedere la sezione relativa alla coppia di serraggio).
- Applicare una quantità minima di lubrificante sulle giunzioni delle parti mobili

Se la carrozzina oscilla

- Controllare l'angolo di impostazione delle ruote anteriori
- Controllare la pressione degli pneumatici
- Controllate che le ruote posteriori non siano state regolate in modo differente una dall'altra

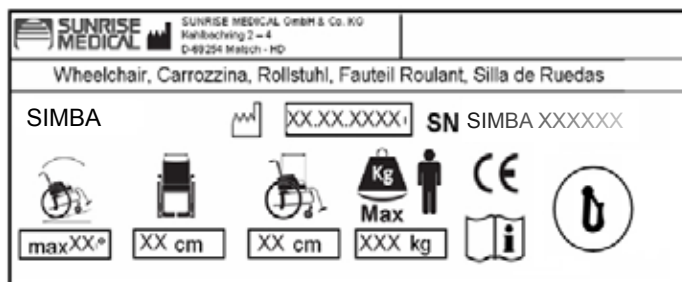
8.0 Targhetta di identificazione

Targhetta di identificazione

L'etichetta di identificazione è applicata sulla crociera e sul manuale d'uso. Su questa targhetta sono riportati i dati tecnici. In caso di ordine di ricambi o di reclamo è necessario comunicare i seguenti dati:

- Numero di serie
- Numero d'ordine
- Mese/Anno

CAMPIONE



SIMBA
XXXXX-XXX

Nome del prodotto/codice articolo



La pendenza superabile massima dipende dall'assetto della carrozzina, dalla postura e dalle capacità fisiche dell'utente.



Simbolo del fabbricante



Larghezza seduta.



Profondità (massima).



Portata massima.



Marchio CE



Manuale d'uso.



Crash test.



XX.XX.XXXX

Data di produzione.

SN

Simba XXXXXX

Numero di serie.

Controlli per la sicurezza

L'utente è la prima persona ad accorgersi di eventuali difetti. Ogni volta che si desidera usare la carrozzina, controllare prima quanto segue:

- che la pressione degli pneumatici sia corretta.
- che i freni funzionino correttamente.
- che le parti rimovibili siano ben fissate (p. es. braccioli, pedane, asse a sgancio rapido ecc)
- In caso di danni o malfunzionamento, contattare il rivenditore autorizzato di fiducia.

Manutenzione

- Controllare la pressione degli pneumatici ad intervalli regolari.
- Controllare l'usura o l'eventuale presenza di danni su tutti i copertoni ad intervalli regolari, almeno una volta all'anno. Sostituire gli pneumatici non appena si notano segni di usura o danni.
- Controllare l'usura o l'eventuale presenza di usura o danni sui rivestimenti della seduta e dello schienale a intervalli regolari, almeno una volta all'anno. Sostituirli non appena si notano segni di usura o danni.
- Controllare l'usura o l'eventuale presenza di usura o danni su tutti i componenti del telaio e dello schienale ad intervalli regolari, almeno una volta all'anno. Sostituirli non appena si notano segni di usura o danni.
- Controllare l'usura o l'eventuale presenza di danni sui freni ad intervalli regolari, almeno una volta all'anno. Controllare il corretto funzionamento e la manovrabilità dei freni. Sostituire i freni non appena si notano segni di usura o danni.
- Controllare che tutti i bulloni siano ben serrati (vedere la sezione relativa alla coppia di serraggio) ad intervalli regolari, almeno una volta all'anno. Tutte le viti che sono essenziali alla sicurezza della carrozzina durante l'uso sono dotate di dadi di sicurezza. I dadi di sicurezza devono essere utilizzati una sola volta e sostituiti dopo l'uso.
- Gli assi ad estrazione rapida devono essere lubrificati ogni 8 settimane circa utilizzando una minima quantità di olio per macchine da cucire. A seconda della frequenza e del modo in cui la carrozzina viene utilizzata, consigliamo di sottoporla ogni sei 6 mesi ad un controllo specializzato presso il rivenditore di fiducia.
- Riporre sempre la carrozzina in un luogo asciutto.

Quando si ripone la carrozzina per un periodo di tempo prolungato non è necessario adottare ulteriori misure. Riporre la carrozzina in un locale asciutto, a temperatura ambiente e al riparo da eccessiva luce diretta del sole. Prima di riutilizzarla, farla controllare da un rivenditore autorizzato.

ATTENZIONE!

- Se sono fornite indicazioni sulle impostazioni della coppia di serraggio, si raccomanda di utilizzare un dispositivo di misurazione per verificare che il serraggio sia corretto.
- Si raccomanda di utilizzare sempre ricambi originali approvati da Sunrise Medical. Non usare ricambi di altri produttori non autorizzati da Sunrise Medical.
- Se la carrozzina è sporca, pulirla solamente con un detergente non corrosivo. Per la pulizia della fodera del sedile e della cintura pelvica utilizzare esclusivamente acqua e sapone.
- A seconda della frequenza e del modo di utilizzo, si consiglia di sottoporre la carrozzina regolarmente, almeno una volta all'anno, ad un controllo da parte di personale specializzato presso un rivenditore autorizzato Sunrise Medical.

ATTENZIONE!

- Sabbia, sale ed acqua marina possono danneggiare i cuscinetti delle ruote anteriori e posteriori. Pulire e asciugare la carrozzina con cura qualora sia stata esposta a questi elementi.
- Se la carrozzina dovesse bagnarsi, asciugarla immediatamente dopo l'uso.

Le seguenti parti possono essere rimosse ed inviate al rivenditore per la riparazione:

- Ruote posteriori
- Braccioli
- Appoggipiedi
- Routine antiribaltamento

Igiene in caso di utilizzo da parte di un altro utente:

la carrozzina deve essere preparata con attenzione prima di essere riutilizzata. Tutte le superfici che vengono a contatto con l'utente devono essere trattate con un disinfettante spray.

A questo scopo utilizzare un disinfettante per la disinfezione rapida a base di alcool.

Osservare le istruzioni del fabbricante per il disinfettante impiegato.

Normalmente non è possibile garantire una disinfezione sicura sulle cuciture. Pertanto, raccomandiamo di cambiare ed eliminare in modo appropriato le fodere della seduta e dello schienale in caso di contaminazione batterica, in modo conforme alle normative vigenti.

10.0 Dati tecnici di riferimento

Max. Altezza totale:	1000 mm
Max. Lunghezza totale:	850 mm
Max. Raggio di curva:	650 mm
Pendenza massima:	10°
Peso:	da 9 kg
Peso senza ruote posteriori:	da 6,9 kg
Peso della parte più pesante	2,1 kg

Max. Larghezza:

CAMPANATURA	RUOTA POSTERIORE 20"	RUOTA POSTERIORE 22"	RUOTA POSTERIORE 24"
Campanatura 0°	LS + 160 mm	LS + 160 mm	LS + 160 mm
Campanatura 3°	LS + 200 mm	LS + 210 mm	LS + 220 mm
Campanatura 6°	LS + 260 mm	LS + 270 mm	LS + 280 mm
Campanatura 9°	LS + 310 mm	LS + 320 mm	LS + 330 mm

Portata massima:

SIMBA 65 kg

Altezza della seduta:

l'altezza della seduta può variare a seconda del telaio, delle forcelle, delle ruote anteriori e delle ruote posteriori (20", 22" 24") scelti.

La carrozzina è conforme ai seguenti standard:

1. Requisiti e prove per la stabilità statica, la resistenza agli urti e la resistenza all'usura (ISO 7176-8).
2. Resistenza all'infiammabilità (EN 1021-2).

11.0 Smaltimento / Riciclaggio dei materiali

Se la carrozzina è stata messa a disposizione gratuitamente, non è di proprietà dell'utente. Se non è più necessaria, seguire le istruzioni per restituirla all'organizzazione che l'ha messa a disposizione.

Nella sezione seguente, sarà possibile trovare una descrizione dei materiali usati per la carrozzina, per ragioni di smaltimento o riciclaggio della carrozzina e dell'imballaggio.

Per lo smaltimento, seguire le normative locali vigenti in materia di smaltimento e riciclaggio. (Questo include la pulizia o la disinfezione della carrozzina prima dello smaltimento).

Alluminio: Forcelle, ruote, protezioni laterali per il telaio, telaio dei braccioli, pedana, maniglie di spinta,

Acciaio: punti di fissaggio, assi ad estrazione rapida

Plastica: Maniglie, fermatubi, ruote anteriori, appoggiatesta, imbottiture dei braccioli e ruote/pneumatici da 12"

Imballaggio: Borse in plastica in polietilene, cartone.

Rivestimento: poliestere tessuto con rivestimenti in PVC e schiuma modificata da combustione espansa.

Per lo smaltimento o il riciclaggio rivolgersi ad un centro di smaltimento autorizzato. In alternativa, la carrozzina può essere restituita al rivenditore per essere smaltita.



Voorwoord

Beste klant,

Wij zijn erg blij dat u gekozen hebt voor een kwalitatief hoogstaand SUNRISE MEDICAL-product.

In deze gebruikshandleiding vindt u tal van tips en ideeën waarmee u van uw nieuwe rolstoel een betrouwbare partner in uw leven kunt maken.

Wij bij Sunrise Medical staan erop om een nauwe band met onze klanten te onderhouden. Daarom willen wij u op de hoogte houden van de huidige en de nieuwe ontwikkelingen in ons bedrijf. Een goede band met onze klanten betekent ook: snelle service, uitstekende toegankelijkheid en nauwe samenwerking met onze klanten. Wanneer u vervangende onderdelen of accessoires nodig hebt, of een vraag over uw rolstoel hebt, staan wij voor u klaar.

Wij willen dat u tevreden bent over onze producten en diensten. Bij Sunrise werken we voortdurend aan verdere ontwikkeling van onze producten. Dat maakt dat de vorm, de technologie en de uitrusting van onze producten kan veranderen. Er zijn dan ook geen juridische vorderingen mogelijk op basis van de gegevens of de afbeeldingen in deze gebruikershandleiding.

Het managementsysteem van SUNRISE MEDICAL is gecertificeerd en voldoet aan de EN ISO 9001, ISO 13485 en ISO 14000 normen.



SUNRISE MEDICAL verklaart als producent, dat de lichtgewicht rolstoelen voldoen aan de Europese Richtlijn 93/42/EEG.

Heeft u vragen over het gebruik, het onderhoud of de veiligheid van uw rolstoel, neem dan contact op met uw plaatselijke erkende dealer van SUNRISE MEDICAL.

Is er geen erkende dealer in uw regio of hebt u vragen, neem dan schriftelijk of telefonisch contact op met Sunrise Medical:

Sunrise Medical B.V.
Groningehaven 18-20
3433 PE NIEUWEGEIN
The Netherlands
T: +31 (0)30 – 60 82 100
F: +31 (0)30 – 60 55 880
E: info@sunrisemedical.nl
www.SunriseMedical.nl

BELANGRIJK:



**GEBRUIK UW ROLSTOEL NIET TOT U DEZE
GEBRUIKSAANWIJZING HEEFT GELEZEN EN
BEGREPEN.**

Gebruik

Rolstoelen zijn uitsluitend bedoeld voor persoonlijk gebruik, voor personen die niet in staat zijn te lopen of die beperkt mobiel zijn. De rolstoelen kunnen door de gebruiker zelf worden voortbewogen of door een derde (een begeleider die duwt), zowel binnens- als buitenshuis.

Het maximale gewicht dat de stoel kan dragen staat vermeld bij het serienummer; dit vindt u aan de kruisstang of stabiliseerstang onder de zitting. Het maximale gewicht is het totale gewicht van de gebruiker en de op de rolstoel gemonteerde accessoires.

Aansprakelijkheid wordt uitsluitend geaccepteerd indien het product wordt gebruikt onder die specifieke omstandigheden en voor het doel waarvoor het product is gemaakt.

De verwachte levensduur van de rolstoel is vijf jaar.

Er mogen uitsluitend door Sunrise Medical goedgekeurde STANDAARD onderdelen worden gebruikt.

Toepassingen.

Dankzij de verschillende opties en het modulaire ontwerp kan de rolstoel worden gebruikt door personen die niet kunnen lopen, of beperkt mobiel zijn, door:

- Verlamming
- Amputatie (van been of benen)
- Disfunctioneren of misvorming van been of benen
- Contractuur van/letsel aan gewrichten
- Ziektes zoals hart- en vaatziekten, evenwichtsstoringsen of cachexie evenals voor oudere mensen die nog kracht in het bovenlichaam hebben.

Wanneer levering/aanschaf van een rolstoel wordt overwogen, neem dan de volgende zaken in overweging: lichaamsgrootte, gewicht, fysieke en psychische toestand, leeftijd, leefomstandigheden en -omgeving.

Inhoudsopgave

1.0 Algemene veiligheidstips en rijbeperkingen	95
2.0 Transport	98
3.0 Garantie	100
4.0 Gebruik	101
5.0 Opties	101
Trapdop	101
Remmen	101
De hoogte van de voetenplaat instellen	102
Zwenkwiel	103
Zitsysteem	103
Wielaanpassing	104
Rugleuning	105
Zijkant	106
Duwhandvat	106
Anti-tip wielen	107
Zitsysteem	107
Stoelbreedte en stoeldiepte aanpassen	108
Krukkenhouder	108
Banden en montage	108
6.0 Heupgordel (voorste laterale ondersteuning)	109
7.0 Mogelijke problemen	111
8.0 Sticker	111
9.0 Algemeen onderhoud	112
10.0 Technische gegevens	113
11.0 Afvalverwerking / recycling van materialen	113

OPMERKING:

De getoonde en beschreven rolstoelen in deze gebruikershandleiding kunnen op sommige punten van uw eigen model afwijken. Alle instructies zijn echter belangrijk, ongeacht de verschillen in detail.

De fabrikant houdt zich het recht voor zonder opgaaf gegevens met betrekking tot gewicht, maten of andere technische gegevens zoals genoemd in deze handleiding, te wijzigen. Alle afbeeldingen, maten en mogelijkheden zoals getoond in deze handleiding zijn slechts indicatief en bevatten geen specificaties.

Definities

3.1 Betekenis van woorden die in deze handleiding worden gebruikt.

Woord	Betekenis
 GEVAAR!	De gebruiker wordt geattendeerd op de kans op ernstig letsel of overlijden indien het advies niet wordt opgevolgd.
 WAARSCHUWING!	De gebruiker wordt geattendeerd op de kans op letsel indien het advies niet wordt opgevolgd.
 OPGELET!	De gebruiker wordt geattendeerd op de kans op schade aan de apparatuur indien het advies niet wordt opgevolgd.
OPMERKING:	Algemeen advies of beste gebruik
	Verwijzing naar aanvullende documentatie

OPMERKING:

Noteer het adres en telefoonnummer van uw plaatselijke dealer in de daarvoor bestemde ruimte.

Neem in het geval van storingen contact met de dealer op en probeer zoveel mogelijk relevante informatie te geven zodat hij u snel kan helpen.

Stempel en handtekening dealer

1.0 Algemene veiligheidstips en rijbeperkingen

De techniek en constructie van deze rolstoel zijn ontworpen voor het bieden van maximale veiligheid. Aan de momenteel van kracht zijnde internationale veiligheidsnormen is voldaan en zij zijn overtroffen. Toch kunnen gebruikers zichzelf in gevaar brengen door onjuist gebruik van hun rolstoel. Voor uw eigen veiligheid moeten de volgende regels absoluut worden opgevolgd.

Onprofessionele of foutieve aanpassingen of instellingen kunnen de kans op ongelukken vergroten. Als rolstoelgebruiker maakt u, net als andere weggebruikers, deel uit van het dagelijkse verkeer op straten en trottoirs. Wij herinneren u er aan dat u daardoor ook onderworpen bent aan alle verkeerswetgeving.

Wees voorzichtig tijdens uw eerste rit in deze rolstoel. Leer uw rolstoel kennen.

Voor elk gebruik, moet het volgende worden gecontroleerd:

- Quick release assen op de achterwielen
- Velcro op de zittingen en rugleuningen
- Banden, bandendruk en parkeerremmen.



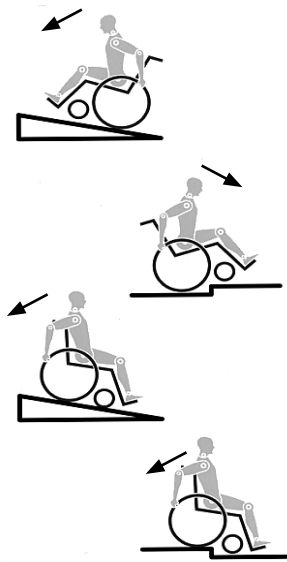
Alvorens aanpassingen van deze rolstoel te wijzigen, is het belangrijk het bijbehorende deel van de gebruiksaanwijzing te lezen.

Het is mogelijk dat de rolstoel door kuilen of oneffen oppervlakken kan kantelen, in het bijzonder wanneer heuvel op of af wordt gereden. Wanneer over een trede of helling op wordt gereden, moet het lichaam naar voren zijn gebogen.



- Overschrijd NOOIT de maximale belasting van 65 kg voor bestuurder plus voorwerpen die op de rolstoel worden meegenomen. Let op de informatie betreffende gewichten voor de lichtgewichtopties. Deze worden apart vermeld. Als u de maximale belasting overschrijdt, kan dit leiden tot schade aan de stoel, of u kunt omvallen of omkantelen, de controle verliezen, wat ernstig letsel aan de gebruiker en andere personen tot gevolg kan hebben.
- Om vallen en gevaarlijke situaties te voorkomen, is het verstandig om eerst met uw nieuwe rolstoel te oefenen op een vlakke ondergrond, bij goed zicht.
- Deze rolstoel mag alleen worden gebruikt om één persoon per keer te vervoeren. Iedere andere manier van gebruik komt niet overeen met het bedoelde gebruik.
- Gebruik de voetplaten niet als u in of uit de rolstoel stapt. Deze moeten van tevoren omhoog worden geklapt en zo ver mogelijk naar buiten worden gedraaid.
- Afhankelijk van de diameter en instelling van de zwenkwielen evenals de instelling van het zwaartepunt van de rolstoel, kunnen de zwenkwielen op hoge snelheid beginnen te trillen. Hierdoor kunnen de zwenkwielen geblokkeerd raken en kan de rolstoel omkantelen. Zorg er daarom goed voor dat de zwenkwielen goed zijn aangepast (zie het hoofdstuk "Zwenkwielen").
- Rijd met name niet op een helling zonder remmen en rijd op lage snelheid. Bij hogere snelheden, afhankelijk van de uitvoering en/of de lichamelijke constitutie en de fysieke capaciteiten van de gebruiker, kunnen de zwenkwielen onverwachts wiebelen. Dit kan leiden tot letsel bij de gebruiker.
- Onderzoek het effect van het veranderen van het zwaartepunt op het gedrag van de rolstoel op bijvoorbeeld hellingen of wanneer u obstakels neemt. Doe dit met de hulp van een begeleider
- We raden aan dat nieuwe gebruikers anti-tip gebruiken.
- Met anti-tip kan de stoel niet onbedoeld achterover kantelen. Ze mogen in geen geval de transitwielen vervangen en gebruikt worden om een persoon in een rolstoel te vervoeren als de achterwielen zijn verwijderd.
- Met extreme instellingen (bijv. achterwielen in de voorste positie) en minder dan perfecte houding, kan de rolstoel zelfs op een effen oppervlak omkantelen.
- Leun met uw bovenlichaam naar voren als u hellingen en opstapjes opgaat.
- Leun met uw bovenlichaam verder naar achteren, wanneer u van een helling of afstapje afgaat.
- Wanneer op de rolstoel gemonteerde mobiliteitsaccessoires worden gebruikt, zoals handbikes, elektrische aandrijfondersteuning, etc. verzeker u er dan van dat uw rolstoel is uitgerust met de juiste, voor dit gebruik goedgekeurde, voorvorken. Neem bij vragen contact op met uw dealer.
- NB: in sommige uitvoeringen kan de rolstoel breder zijn dan 700 mm. In dat geval kan het in bepaalde omstandigheden onmogelijk zijn om sommige, of alle, beschikbare vluchtroutes uit een gebouw te gebruiken. Het kan moeilijker of onmogelijk zijn om met openbaar vervoer te reizen.

Fig. A



- Hang geen zware voorwerpen, zoals boodschappentassen of rugzakken, aan de duwhandvatten, hoofdsteun of rugleuning van de rolstoel.
- Hierdoor kan het zwaartepunt van de rolstoel veranderen en ontstaat het risico op achterover kantelen.
- Wanneer u naar voorwerpen (die zich voor, aan de zijkant of achter de rolstoel bevinden) reikt, zorg er dan voor dat u niet te ver uit de rolstoel leunt, want als u het zwaartepunt verandert, bestaat het gevaar dat u omkantelt of omver rolt.
- Gebruik uw rolstoel alleen voor het daarvoor bestemde doel. Bijvoorbeeld, probeer niet tegen een voorwerp op te rijden zonder te remmen (opstapje, trottoirrand) of verschillen in afstapjes.
- Gebruik geen trappen zonder de hulp van een begeleider. Er bestaan middelen om u te helpen, bijv. hellingen op te gaan of de lift te gebruiken. Wij raden u aan deze te gebruiken. Als deze niet beschikbaar zijn, dient de rolstoel naar achteren te worden gekanteld en over de treden te worden geduwd (2 helpers), maar mag nooit worden getild.
- Over het algemeen moeten anti-tip wielen vooraf zodanig worden ingesteld dat ze de treden niet kunnen raken, omdat dit tot een ernstige val zou kunnen leiden. Naderhand moeten de anti-tip wielen weer in de oude positie worden teruggebracht.
- Zorg ervoor dat de begeleider de rolstoel alleen aan stevig bevestigde onderdelen vasthoudt (bijv. niet aan de voetsteunen of zijbescherming).
- Wanneer u de rolstoellift gebruikt, dient u ervoor te zorgen dat de aangebrachte anti-tip wielen buiten de gevarenszone zijn geplaatst.
- Gebruik de remvergrendeling om de stoel vast te zetten wanneer u zich op ongelijke grond bevindt of wanneer de rolstoel bijvoorbeeld in een auto wordt geplaatst.
- Gebruikers met een amputatie vanaf de dij, moeten anti-tip wielen gebruiken.
- Controleer voor vertrek of de bandenspanning correct is. Voor de achterwielen moet de druk ten minste 3,5 bar (350 kPa). De maximale druk staat aangegeven op de band.
- De knie-remhendels functioneren alleen bij voldoende bandenspanning en wanneer ze correct zijn ingesteld (zie ook het hoofdstuk "Remmen").
- De parkeerremmen zijn niet bedoeld om als rem voor uw rolstoel te dienen. Zij dienen er slechts voor om te voorkomen dat uw rolstoel onbedoeld begint te rollen. Wanneer u op een oneffen oppervlak stopt, dient u altijd uw parkeerremmen te gebruiken om weggrollen te voorkomen. Gebruik altijd beide parkeerremmen anders kan uw rolstoel kantelen.
- De parkeerremmen zijn niet bedoeld om als rem voor een bewegende rolstoel te dienen.
- Gebruik altijd van liften en oprijplaten. Wanneer deze niet beschikbaar zijn, vraag dan hulp van een begeleider. Zij mogen de rolstoel alleen vastpakken bij die onderdelen die goed bevestigd zijn. Als de rolstoel over anti-tip wielen beschikt, moeten deze worden weggeklapt. Een rolstoel mag nooit worden opgetild met een inzittende, maar alleen worden voortgeduwd.

- Indien de zitting of rugbekleding van de rugleuning beschadigd zijn, dient u deze direct te vervangen.
- De stangen aan de achterzijde en de duwhendels zijn niet bedoeld om de stoel op te tillen of te dragen.
- Monteer geen niet-erkende elektronische apparaten, elektrisch of mechanisch aangedreven voortstuwingsapparaten, handfiets, of andere hulpmiddelen aan de rolstoel waardoor het bedoelde gebruik, of de structuur van de rolstoel verandert.
- Alle combinaties met andere medische hulpmiddelen moeten door Sunrise Medical worden goedgekeurd.
- Wees voorzichtig met vuur, en vooral met brandende sigaretten. De banden van de rugleuning en zitting kunnen vlam vatten.
- Wanneer gebruik wordt gemaakt van een speciaal voor gehandicaptenvervoer ingericht voertuig, dienen de personen die worden vervoerd, voor zover mogelijk, gebruik te maken van de stoelen van het voertuig en het juiste gordelsysteem. Alleen op deze wijze genieten de personen optimale bescherming indien een ongeluk plaatsvindt. Wanneer u de veiligheidselementen van SUNRISE MEDICAL en een speciaal ontwikkeld veiligheidssysteem gebruikt, kunnen lichtgewicht rolstoelen tijdens vervoer in een speciaal uitgerust voertuig als stoel worden gebruikt. (Zie het hoofdstuk over "Vervoer").
- Controleer altijd of de quick release assen op de achterwielen goed zijn ingesteld en vergrendeld. Wanneer de knop op de quick release as niet ingedrukt is, kan het achterwiel niet worden verwijderd.
- Met name bij het gebruik van lichtgewicht hoepels, worden vingers gemakkelijk warm bij het remmen op hoge snelheid of op steile hellingen.
- Wanneer de rolstoel langdurig blootgesteld wordt aan direct zonlicht, kunnen sommige onderdelen (bijv. frame, beensteunen, remmen, zijbescherming) heet worden (>41°C).
- Steek nooit uw handen tussen de spaken of tussen het achterwiel en wielvergrendeling terwijl u rijdt. Dit kan leiden tot letsel aan de handen.
- Draag altijd leren handschoenen wanneer de rolstoel buiten wordt gebruikt. Hierdoor wordt uw grip verbeterd en worden uw vingers tegen vuil en oververhitting beschermd.
- Gebruik de rolstoel niet op hellingen steiler dan > 10°.
- De werking van de Dynamic beveiliging hangt af van de instellingen van de stoel, de capaciteiten van de gebruiker en de rijstijl. Omdat Sunrise Medical vooraf niet kan voorzien hoe de capaciteiten en rijstijl van de gebruiker is, kan de maximale veilig te nemen helling niet worden bepaald. Daarom moet dit door de gebruiker worden bepaald, samen met een begeleider, die kan voorkomen dat de rolstoel kantelt. Sunrise Medical adviseert onervaren gebruikers veiligheidswielen te laten installeren.
- Gebruik de rolstoel niet op modderige of bevroren (gladde) ondergrond.
- Daar waar voetgangers niet zijn toegestaan, mag u ook niet met de rolstoel rijden.
- Bij bewegende onderdelen is er altijd gevaar op beknelde vingers. Wees voorzichtig wanneer u iets wilt veranderen aan de rolstoel.
- De rolstoel dient niet gebruikt te worden tijdens zware regenval, op met sneeuw bedekte ondergrond of op glibberige ondergrond.
- Gebruik de rolstoel niet in een gevaarlijke omgeving.

WAARSCHUWING!

VERSTIKKINGSGEVAAR - In dit mobiliteitshulpmiddel zijn kleine onderdelen verwerkt die onder bepaalde omstandigheden een verstikkingsgevaar voor kleine kinderen kunnen vormen.

WAARSCHUWING!

Aanpassingen aan uw rolstoel, en in het bijzonder aanpassingen aan onderdelen die voor de veiligheid van belang zijn, moeten worden uitgevoerd door een erkende dealer. Dit geldt voor aanpassing van wielvergrendeling, anti-tipwielen, de hoek en hoogte van de rugleuning, het onderbeenlengte, zwaartepunt, heupgordel, toe-in en camber van het achterwiel, zithoogte en toe-in en de richtingsstabiliteit van de vork van het zwenkwiel.

OPMERKING:

- Niet alleen het vermogen van de knie-remhendel maar ook de algemene rij-eigenschappen zijn afhankelijk van de bandenspanning. De rolstoel is aanzienlijk lichter en gemakkelijker te manoeuvreren wanneer de achterwielen op de juiste spanning zijn en beide dezelfde spanning hebben.
- De banden van de rolstoel moeten voldoende profiel hebben!
- Let op dat u zich aan alle verkeerswetten moet houden wanneer u zich op de openbare weg begeeft.
- Draag lichte of reflecterende kleding wanneer u in het donker naar buiten gaat. Zo wordt u gemakkelijker gezien. Zorg ervoor dat de reflectoren op de zij- en achterkant van de rolstoel duidelijk zichtbaar zijn. Sunrise adviseert tevens gebruik te maken van verlichting.
- Pas altijd goed op uw vingers wanneer u instellingen of onderdelen van de rolstoel wijzigt of aanpast.
- De getoonde en beschreven rolstoelen in deze gebruikershandleiding kunnen op sommige punten van uw eigen model afwijken. Alle instructies zijn echter belangrijk, ongeacht de verschillen in detail.
- De fabrikant houdt zich het recht voor zonder opgaaf gegevens met betrekking tot gewicht, maten of andere technische gegevens zoals genoemd in deze handleiding, te wijzigen. Alle afbeeldingen, maten en mogelijkheden zoals getoond in deze handleiding zijn slechts indicatief en bevatten geen specificaties.

Levensduur

- De verwachte levensduur van de rolstoel is vijf jaar.

2.0 Transport



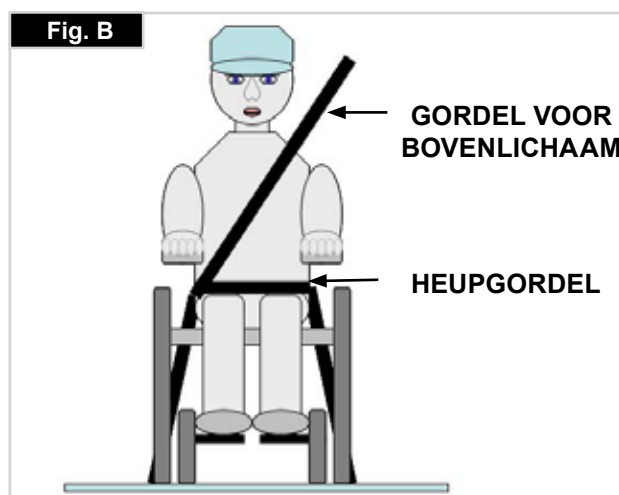
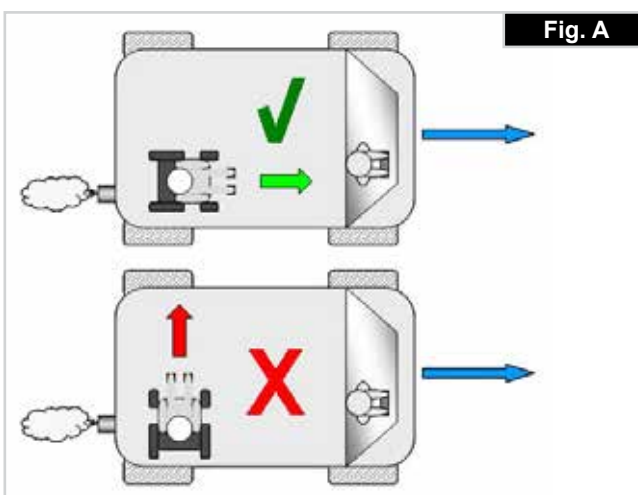
Indien dit advies wordt genegeerd ontstaat het risico op ernstig letsel of overlijden.

Het vervoer van uw rolstoel in een voertuig:

Een in een voertuig vastgezette rolstoel biedt niet dezelfde veiligheid als een normale stoel en veiligheidssysteem in dat voertuig. Sunrise adviseert altijd om de rolstoelgebruiker over te brengen naar een stoel van het voertuig. Sunrise Medical erkent dat het niet altijd praktisch is om een rolstoelgebruiker over te brengen naar een gewone stoel in het voertuig. Wanneer de gebruiker vervoerd moet worden in de rolstoel, moet onderstaand advies worden opgevolgd:

1. Controleer of het voertuig over de juiste hulpmiddelen beschikt om een passagier in een rolstoel te vervoeren. Controleer tevens of de methode om in en uit het voertuig te komen, geschikt zijn voor uw type rolstoel. De vloer van het voertuig moet sterk genoeg zijn om het totale gewicht van de rolstoelgebruiker, de rolstoel en de accessoires te dragen.
2. Rondom de rolstoel dient voldoende ruimte te zijn om de spanbanden en veiligheidsgordels te bevestigen en de rolstoel goed en gemakkelijk vast te zetten en los te maken.
3. De stoel met daarin de gebruiker moet in de rijrichting worden geplaatst. De rolstoel dient te worden vastgezet met spanbanden en voor de gebruiker dienen veiligheidsgordels gebruikt te worden, waarbij wordt voldaan aan de normen ISO 10542 Deel 2 of SAE J2249 en aan de WTORS instructies van de fabrikant.
4. De rolstoel is niet getest in andere posities binnen een voertuig. De rolstoel met daarin de gebruiker mag nooit in zijwaartse richting worden vervoerd (Fig. A).
5. De rolstoel moet worden vastgezet met een bevestigingssysteem dat voldoet aan ISO 10542 of SAE J2249, met niet-verstelbare banden aan de voorzijde en verstelbare banden aan de achterzijde, die worden bevestigd door middel van karabijnhaken/S-haken en gesp en gordel bevestigingen. De bevestigingen bestaan doorgaans uit vier aparte banden die vastgemaakt worden aan iedere hoek van de rolstoel.
6. De verankeringsbanden moeten aan het frame van de rolstoel worden bevestigd zoals aangegeven in de tekening op de volgende pagina. Ze mogen niet worden bevestigd aan accessoires, wielen, remmen, voetsteunen en dergelijke.

7. De verankeringsbanden dienen in een hoek van 45 graden zo dicht mogelijk bij de stoel bevestigd te worden; de banden moeten strak vastgezet worden in overeenstemming met de instructies van de fabrikant.
8. Zonder overleg met de fabrikant mogen geen veranderingen of vervangende onderdelen worden aangebracht op de bevestigingsplaatsen waar verankeringsbanden aan de rolstoel bevestigd moeten worden. Ook het frame, de structuur of onderdelen mogen niet worden veranderd of vervangen zonder overleg met de fabrikant. Dergelijke wijzigingen kunnen de rolstoel van Sunrise Medical ongeschikt maken voor transport in een voertuig.
9. Zowel de heupgordel als de veiligheidsgordel voor het bovenlichaam moet worden gebruikt om de rolstoelgebruiker goed in de rolstoel te laten zitten. Hierdoor wordt het risico verkleind dat hoofd en borst in botsing komen met onderdelen van het voertuig. Tevens wordt risico verkleind dat de rolstoelgebruiker of de andere inzittenden van het voertuig geblesseerd raken. (Fig. B) De bovenlichaamsgordel dient bevestigd te worden aan de "B" stang van het voertuig. Indien dit wordt nagelaten, wordt het risico van ernstig (onder)buikletsel van de gebruiker vergroot.
10. Tijdens het transport dient men gebruik te maken van een hoofdsteun die geschikt is voor transport (zie etiket van de hoofdsteun). Deze moet gedurende het hele transport op de juiste wijze zijn aangebracht.
11. Lichaamsondersteunende gordels (zoals heupgordels) mogen niet worden gebruikt als veiligheidsgordel voor een rolstoelgebruiker, tenzij deze voldoen aan de normen zoals gespecificeerd in ISO 7176-19:2001 of SAE J2249.
12. De veiligheid van de rolstoelgebruiker tijdens het transport hangt af van de nauwkeurigheid waarmee de verankeringsbanden worden bevestigd. De persoon/ personen die de verankering tot stand brengt/brengen, moet(en) op juiste wijze zijn geïnstrueerd en getraind.
13. Verwijder waar mogelijk hulpmiddelen en accessoires en berg deze veilig op. Hierbij kunt u denken aan:
14. Krukken, losse kussens en werkbladen.
15. Een scharnierende/opgetilde beensteun mag zich niet in opgetilde positie bevinden tijdens transport van de rolstoel en gebruiker wanneer de rolstoel is verankerd met verankeringsbanden en veiligheidsgordels.
16. Een gekantelde rugleuning moet in rechte positie worden gezet.
17. De handremmen moeten goed worden vastgezet.
18. Veiligheidsgordels moeten worden bevestigd aan de "B" stang van het voertuig en mogen niet van het lichaam afgehouden worden door bijvoorbeeld armsteunen of wielen.



Instructies voor veiligheidsgordels:

1. De heupgordel moet laag worden bevestigd over de voorzijde van de heup, zodanig dat de hoek van de heupgordel zich binnen de horizontale voorkeurszone van 30 tot 75 graden bevindt.
2. Hoe groter de hoek binnen deze begrenzing, hoe beter, maar de hoek mag nooit groter zijn dan 75 graden. (Fig. C).
3. De bovenlichaamsgordel moet over de schouder en diagonaal over de borst worden gedragen, zoals op de afbeelding weergegeven. Fig. D en E.
4. De gordels moeten zo strak mogelijk worden gebruikt, maar moeten altijd comfortabel zijn voor de gebruiker.
5. Veiligheidsnetten mogen niet gedraaid zitten tijdens gebruik.
6. De gordel voor het bovenlichaam moet dwars over de schouder worden bevestigd, zoals getoond in afbeeldingen D en E.
7. De bevestigingspunten van de stoel bevinden zich aan de binnenzijde aan de voorkant van het frame vlak boven het zwenkwiel en aan het frame aan de achterzijde. De banden worden rond het frame aan de zijkanten geplaatst waar de horizontale en verticale buizen van het frame elkaar kruisen. (Zie Fig. G - H)
8. Op het frame van de rolstoel wordt door middel van het symbool voor het verankeringspunt (Fig. F) aangegeven waar de verankeringsbanden geplaatst moeten worden. De banden worden strak getrokken nadat de banden aan de voorzijde zijn aangebracht om de rolstoel te borgen.

GEWICHT VAN GEBRUIKER MINDER DAN 22 KG

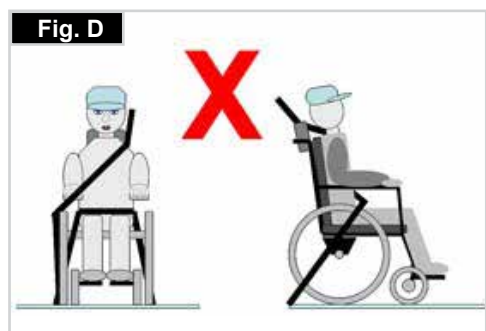
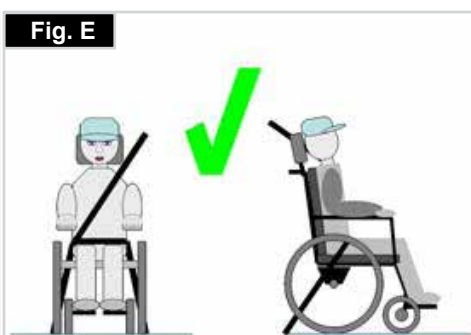
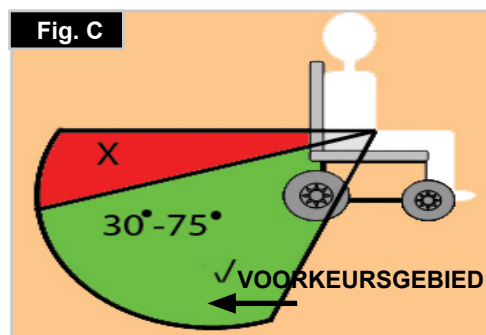
Wanneer de gebruiker die wordt vervoerd een kind is dat minder dan 22kg weegt, en het betrokken voertuig minder dan acht (8) inzittenden heeft, wordt het aanbevolen dat het kind wordt overgeplaatst naar een kinderzitje met veiligheidsgordels dat voldoet aan de UN-ECE R44 regelgeving.

Dit type gordelsysteem biedt een doelmatiger gordelsysteem dan het conventionele 3-puntsgordelsysteem. Daarbij bieden sommige kinderzitjes ook extra ondersteunende elementen waardoor de houding van het kind wanneer het zit, beter wordt ondersteund. In sommige omstandigheden kunnen de ouders of zorgverleners overwegen om het kind in de rolstoel te laten zitten tijdens transport, als de rolstoelinrichting het kind veel lichaamssteuning en comfort biedt.

In dergelijke omstandigheden adviseren we een risicobeoordeling te laten uitvoeren door uw medische deskundige of andere relevante personen die over de vereiste kennis beschikken.

Vervoer - de plaatsing van verankeringsbanden op de rolstoel

- De rolstoel vastgemaakt met verankeringsbanden aan de voorzijde. (Fig. G).
- De plaats van de verankeringsbanden aan de achterzijde van de rolstoel (Fig. H).



Garantie:

DIT HEEFT OP GEEN ENKELE WIJZE INVLOED OP UW WETTELIJKE RECHTEN.

Garantievoorwaarden

- 1) De reparatie of vervanging wordt door een erkende Sunrise Medical dealer uitgevoerd.
- 2) Om aan de garantievoorwaarden te voldoen dient u, bij eventueel noodzakelijke servicewerkzaamheden op uw rolstoel krachtens deze overeenkomst, onmiddellijk contact op te nemen met de aangewezen onderhoudsmonteur van Sunrise Medical met nauwkeurige gegevens over het soort probleem dat u ondervindt. Indien u de rolstoel gebruikt buiten de regio van de aangewezen Sunrise Medical onderhoudsmonteur, wordt werk krachtens de "Garantievoorwaarden" uitgevoerd door een andere, door de fabriek aangewezen, onderhoudsmonteur.

3) Indien een onderdeel van de rolstoel gerepareerd of vervangen moet worden, als gevolg van een specifiek gebrek van fabricage of materiaal, binnen 24 maanden, (5 jaar voor het frame en het kruisframe) vanaf de datum waarop het eigendom van het product werd overgedragen naar de oorspronkelijke koper, en op voorwaarde dat deze koper nog steeds de eigenaar is, wordt het onderdeel of worden de onderdelen zonder kosten vervangen of gerepareerd, op voorwaarde dat de rolstoel wordt teruggebracht naar de erkende dealer.

OPMERKING:

Deze garantie is niet overdraagbaar.

- 4) Deze garantie dekt eveneens alle gerepareerde of vervangen onderdelen voor de resterende garantieperiode van de rolstoel.
- 5) Wij geven een extra 24 maanden garantie voor reserveonderdelen die na de aanvang van de oorspronkelijke garantie zijn aangebracht.
- 6) Aan slijtage onderhevige onderdelen worden normaliter van de garantie uitgesloten, behalve in het geval dat voortijdige slijtage van het onderdeel het directe gevolg van een fabricagefout is. Tot verbruiksgoederen worden onder andere gerekend: bekleding, banden, interne buizen en dergelijke.
- 7) Bovenstaande garantievoorwaarden gelden voor alle productonderdelen, voor modellen die voor de volle handelsprijs gekocht zijn.
- 8) Onder normale omstandigheden wordt geen verantwoordelijkheid aanvaard wanneer de rolstoel reparatie of vervanging behoeft als een rechtstreeks gevolg van het feit dat:
 - a) Het product of onderdeel is niet onderhouden in overeenstemming met de aanbevelingen van de fabrikant, zoals uiteengezet in de gebruikershandleiding en/of de onderhoudsinstructies. Er zijn accessoires gebruikt die niet gespecificeerd zijn als originele onderdelen.
 - b) De rolstoel of het onderdeel is beschadigd door nalatigheid, ongeval of oneigenlijk gebruik.
 - c) Wijzigingen aan de rolstoel of onderdelen daarvan, die niet in overeenstemming zijn met de specificaties van de fabrikant, of het uitvoeren van reparaties alvorens contact werd opgenomen met de onderhoudsmonteur/dealer.

4.0 Gebruik

Quick release assen op de achterwielen

De achterwielen zijn uitgerust met quick release assen.

Zo kunt u de wielen zonder gereedschap monteren of verwijderen.

Om een wiel te verwijderen, drukt u gewoon de quick release knop op de as in (1) en trekt u het wiel weg (Fig. 3).



Houd de quick release as ingedrukt terwijl u de as in het frame steekt om de achterwielen te monteren.

Laat de knop los om het wiel op zijn plaats te vergrendelen. De quick release knop zou weer op zijn oorspronkelijke plaats moeten klikken.

Transport van de rolstoel

Door het verwijderen van de achterwielen blijft de rolstoel zo compact mogelijk.

De rugleuning kan worden ingeklapt door aan het koord te trekken dat aan de rugleuning is bevestigd.

Om de lege rolstoel te verplaatsen, pakt u de rolstoel bij de voorzijde van de sling en de duwhendels.

Wanneer een lege rolstoel in een voertuig wordt vervoerd, moet hij worden vastgezet of -gebonden.

5.0 Opties

Trapdop

De trapdop kan door begeleiders worden gebruikt om de rolstoel over een obstakel te duwen. Trap gewoon op de buis om een rolstoel bijvoorbeeld over een stoep of een trede te duwen (Fig. 5.1).

Remmen



De remkracht kan worden beïnvloed door onjuiste montage en aanpassing van de remmen. Ook een te lage bandenspanning kan de remkracht beïnvloeden.

Remmen

Uw rolstoel heeft twee wielvergrendelingen. Ze komen rechtstreeks op de banden terecht. Om de vergrendelingen te gebruiken, drukt u beide vergrendelingshendels naar voren tot tegen de aanslagen. Om de vergrendeling ongedaan te maken, trekt u de hendels weer naar hun oorspronkelijke positie.

Het remvermogen vermindert wanneer:

- het loopvlak van de band versleten is;
- de bandendruk niet voldoende is;
- de banden nat zijn;
- de wielvergrendelingen niet goed afgesteld zijn.

De parkeerremmen zijn niet bedoeld om als rem voor een bewegende rolstoel te dienen. U mag de remmen dan ook niet gebruiken om een bewegende rolstoel te doen remmen. Rem altijd met behulp van de hoepels. Zorg ervoor dat de afstand tussen de banden en de remmen voldoet aan de vermelde specificaties. Om die afstand aan te passen, draait u schroef (1) los en stelt u de juiste afstand in. Draai de schroef weer vast. (zie de pagina over torque sleutel) (Fig. 5.2).

Standaard wielslot

(Fig. 5.3)

Fig. 4.0

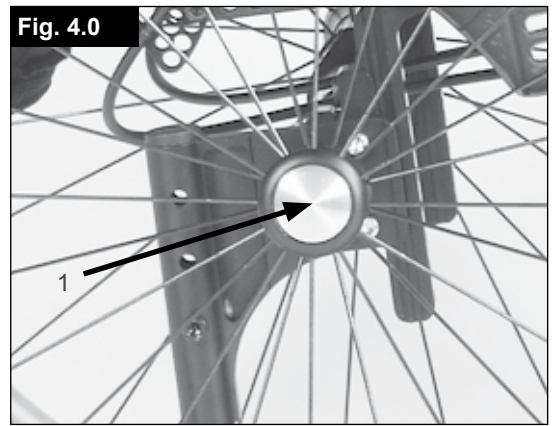


Fig. 5.1



Fig. 5.2

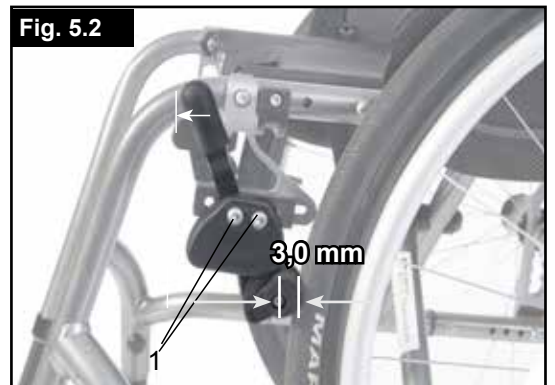


Fig. 5.3



Compacte wielvergrendeling

De compacte remmen bevinden zich onder de zitmat. Door de remmen naar achteren te trekken, in de richting van de band, worden ze in werking gesteld. Om de remmen goed te laten werken, moet dit helemaal naar achteren getrokken worden, zo ver als mogelijk (Fig. 5.4).



- Door verkeerde montage van de wielvergrendeling kan het meer moeite kosten om deze gebruiken. Hierdoor kan de verlengde remhendel van de wielvergrendeling afbreken!
- De bevestigingsbouten van de remmen mogen niet losgedraaid en/of opnieuw vastgedraaid worden.

Safari wielvergrendeling (wielvergrendeling geïntegreerd in zijbescherming):

Om de Safari wielvergrendeling in werking te stellen, duwt u de hendel voorwaarts (weg van het lichaam van de rolstoelgebruiker). Om de remmen te ontkoppelen, trekt u de hendel terug, richting het lichaam (Fig. 5.5).

Verlenging van de remhendel

Het gebruik van de langere hendel kost u minder moeite om de wielvergrendeling in werking te zetten. De langere remhendel is door schroeven verbonden aan de remmen. Door deze op te lichten, kan hij naar voren worden gekanteld (Fig. 5.6).



Door verkeerde montage van de wielvergrendeling kan het meer moeite kosten om deze gebruiken. Hierdoor kan de verlengde hendel breken!

Fig. 5.4



Fig. 5.5



Fig. 5.6



De hoogte van de voetenplaat instellen



- Ga niet op de voetenplaat staan! Zelfs als de gebruiker in de stoel zit, bestaat het gevaar dat de stoel kantelt, wat tot letsel kan leiden.
- Ga niet op de voetenplaat staan bij het overbrengen van de gebruiker. Hierdoor kan de rolstoel kantelen, wat tot letsel kan leiden.

Aanpassen van de voetsteun

Als u schroef (1) verwijdert, kunt u de voetsteun aan de lengte van uw onderbeen aanpassen, hierna kunt u de voetsteun weer bevestigen. De hoek van de voetenplaat kan individueel worden aangepast (niet bij de voetenplaat met beugel), door de schroeven (2) los te draaien. De beugel aan de zijkant van de voetenplaat voorkomt dat uw voeten per ongeluk van de plaat glijden. Controleer na aanpassingen altijd of alle schroeven correct zijn aangedraaid (zie ook de pagina betreffende draaikracht/torque) (Fig. 5.7).

Opklapbare voetenplaat:

De voetsteun kan omhoog en achterwaarts worden geklapt, waardoor het voor de gebruiker gemakkelijker is om in en uit de rolstoel te komen. De voetsteun wordt omhoog geklapt door het voorste deel omhoog te brengen. Door het voorste deel naar beneden te klappen, wordt de voetenplaat teruggebracht naar de oorspronkelijke positie (Fig. 5.8).

Hoog gemonteerde voetenplaat:

De hoog gemonteerde voetenplaat is bevestigd aan het binnenste deel van het frame en maakt een hogere positie van de voeten mogelijk (Fig. 5.9).



Op de schroeven/bouten die gebruikt zijn op deze rolstoel is in de fabriek een schroefdraadborging toegepast. Hierna moeten ze worden vervangen of opnieuw met een borgmiddel van gemiddelde sterkte worden geborgd.

Fig. 5.7

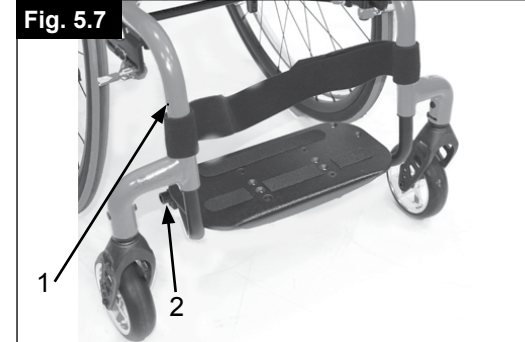


Fig. 5.8

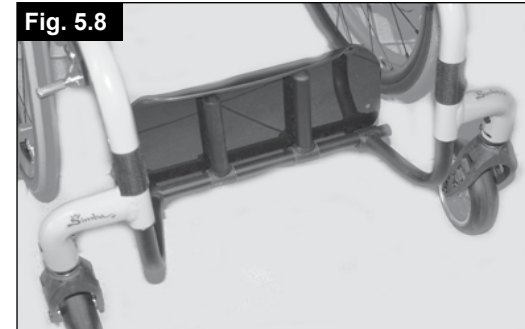


Fig. 5.9



Zwenkwiel

Zwenkwiel, aanpassing zwenkwiel, zwenkwielvork

Het kan gebeuren dat de rolstoel iets afwijkt naar links of naar rechts of dat de voorwielen wiebelen.

Dat kan door de volgende zaken komen:

- De voorwaartse en/of achterwaartse wielbeweging is niet goed ingesteld.
- De camber is niet goed afgesteld.
- De luchtdruk van het voorwiel en/of van het achterwiel is niet goed; de wielen draaien niet soepel genoeg.

Om de rolstoel in een rechte lijn te laten rijden, moeten de zwenkwielen optimaal worden aangepast.

U moet de voorwielen laten afstellen door een erkend dealer. Telkens wanneer u de positie van het achterwiel hebt laten veranderen, moet u het balhoofd opnieuw aanpassen en de wielvergrendelingen controleren.

Het zwenkwiel instellen

Om ervoor te zorgen dat beide vorken parallel worden ingesteld, moet u de tanden tellen die aan beide kanten zichtbaar zijn. Nadat u de zwenkwielvork heeft ingesteld, zorgen de tanden voor een stevige positie, en kan een aanpassing van 16° met stappen van 2° worden aangebracht. Gebruik de vlakke kant om te controleren dat de positie een rechte hoek met de grond vormt.

Met het gepatenteerde ontwerp kan de zwenkwielvork zodanig worden gedraaid, dat het op een rechte hoek met de grond ingesteld kan worden wanneer de zittinghoek is aangepast, (Fig. 5.10 + 5.11).

De voorwaartse stabiliteit instellen

Maak de inbusschroeven (1) aan de onderkant van de vork los. Hierna kunt u de schroef losmaken (2). Nu kunt u de fitting naar links of rechts draaien (3).

Links - de stoel trekt naar links.

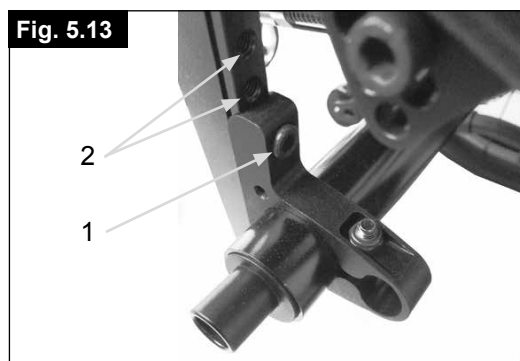
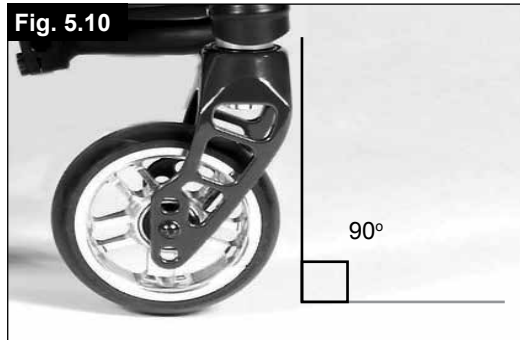
Rechts - de stoel trekt naar rechts.

Draai vervolgens de schroeven weer aan (2). Zet de wielvork in een hoek van 90° ten opzichte van de vloer.

Draai vervolgens de schroeven weer aan (1). (Fig. 4.16).

⚠OPGELET!

Op de schroeven/bouten die gebruikt zijn op deze rolstoel is in de fabriek een schroefdraadborging toegepast. Hierna moeten ze worden vervangen of opnieuw met een borgmiddel van gemiddelde sterkte worden geborgd.



Zitsysteem

De zittinghoogte instellen

Om de hoogte van de rugleuning aan te passen, draait u de inbusschroef (1) waarmee de beugel aan de asplaat is bevestigd, los en verwijdert deze (één schroef aan iedere zijde). Stel de twee camerbuisbeugels (2) in op de gewenste hoogte en draai de twee inbusschroeven weer vast. Volg voordat u de schroeven aandraait, de instructies om de inspoor/uitspoor op nul in te stellen.

Draai de schroeven tot 10 Nm aan. (Fig. 5.13)

⚠OPGELET!

- Er kan een aanpassing aan de zwenkwielhoek noodzakelijk zijn wanneer de zithoogte achter wordt ingesteld.
- Op de schroeven/bouten die gebruikt zijn op deze rolstoel is in de fabriek een schroefdraadborging toegepast. Hierna moeten ze worden vervangen of opnieuw met een borgmiddel van gemiddelde sterkte worden geborgd.

Wielaanpassing

Het toepassen van wielaanpassing

Belangrijk: Om de best mogelijke beweging te krijgen, moeten de achterwielen ingesteld worden op hun optimale positie. Daarom dienen de wielen correct uitgelijnd te zijn.

Hier toe meet u de afstand tussen de beide voorwielen en achterwielen om te verzekeren dat ze parallel aan elkaar staan. Het verschil tussen beide metingen mag niet meer dan 5 mm bedragen.

Om de wielen aan te passen zodat ze parallel staan, draait u de schroeven los en draait u de asbus naar wens. Controleer na aanpassingen altijd of alle schroeven correct zijn aangedraaid (zie ook de pagina betreffende draaikracht/torque).

Spoorinstelling SIMBA

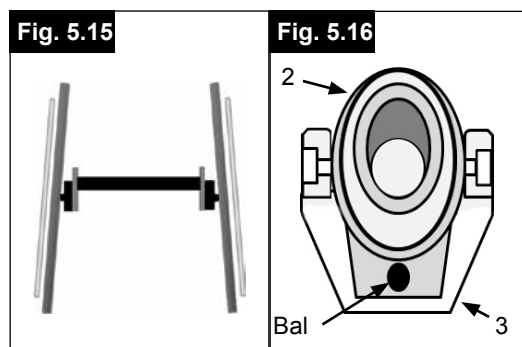
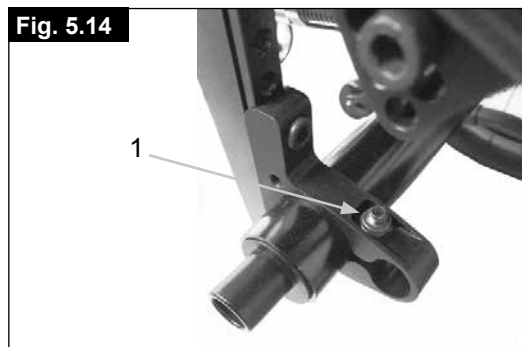
De inspoor/uitspoor op nul instellen:

OPMERKING: een rolstoel met 0° cambercilinders kan geen in- of uitspoor hebben. Deze instelling is alleen noodzakelijk bij 3°, 6° en 9° cambercilinders.

De term "inspoor of uitspoor" geeft aan hoe goed de achterwielen van de rolstoel op één lijn staan met de grond. Dit bepaalt hoe goed de rolstoel rijdt. Wanneer de inspoor is ingesteld op nul, is er sprake van normale weerstand of rolweerstand.

De inspoor/uitspoor op nul instellen: Maak de inbuschroeven (1) waarmee de asbusklem is bevestigd (één aan iedere zijde) los. Controleer de kogel in het horizontale (2) vlak en draai de asbus (3) tot de kogel in het midden ligt. De inspoor is nu nul.

Controleer, voordat u de schroeven (1) aandraait, of de asbus is gecentreerd. De ruimte aan beide kanten moet gelijk zijn, of er mag totaal geen ruimte zijn. Draai de schroeven tot 10 Nm aan (Fig. 5.14 - 5.16).



Breedte wielbasis instellen



Wanneer de achterwielbasis wordt ingesteld, pas dan eerst één wiel en daarna het tweede aan. Als beide kanten tegelijkertijd worden losgedraaid, wordt de aanpassing van de inspoor/uitspoor veranderd. Voor het aanpassen van de achterwielbasis, bewegen de delen van de camber (4) telescopisch in of uit de asbus (5) en worden op hun plaats bevestigd wanneer zij het eind bereiken. Draai de schroef (6) (die het dichtst bij de asbus is bevestigd) aan de linkerkant van de rolstoel los.

Beweeg de camberbuis naar binnen of buiten om de gewenste wielbasis te verkrijgen. Draai de schroeven tot 10 Nm aan. Herhaal dit proces aan de rechterkant van de rolstoel en pas de ruimte aan zodat deze gelijk is aan de ruimte aan de linkerkant (Fig. 5.17).



Op de schroeven/bouten die gebruikt zijn op deze rolstoel is in de fabriek een schroefdraadborging toegepast. Hierna moeten ze worden vervangen of opnieuw met een borgmiddel van gemiddelde sterkte worden geborgd.



Rugleuning met verstelbare hoek

De hoek van de rugleuning wordt aangepast door de positie van de bevestiging van de rugleuning te wijzigen. Hiertoe moeten de schroeven (1) aan beide zijden worden losgemaakt en verwijderd. Nu kan de bevestiging van de rugleuning worden aangepast zodat de gewenste hoek wordt bereikt. Doe vervolgens de schroeven (1) terug en draai deze aan (Fig. 5.18)



OPGELET!

De schroeven moeten vast aangedraaid worden, anders gaat de gewijzigde instelling verloren.

Opvouwbare rugleuning

Ontgrendel de rugleuning door aan het koord te trekken en de rugleuning gelijktijdig naar voren te duwen om hem op te vouwen. Om de rugleuning in zijn oorspronkelijke positie terug te brengen, trekt u hem zo ver mogelijk naar achteren, totdat hij aan beide zijden vergrendeld wordt.



GEVAAR!

Indien de rugleuning te ver naar achteren wordt getrokken, kan de gebruiker achterover vallen bij gebruik van de remmen. Controleer daarom zorgvuldig of de rugleuning vergrendeld in de juiste positie staat.



WAARSCHUWING!

Zorg ervoor dat uw vingers niet beklemd raken bij het naar beneden vouwen van de rugleuning.

Rugleuning in de relax positie

Door de hoek van de rugleuning 10° te verstellen, kan een relax positie worden ingesteld. Trek aan het koord dat aan de rugleuning zit om deze te ontgrendelen. Trek hem vervolgens naar achteren tot beide stangen van de rugleuning in de gewenste positie vergrendelen.



WAARSCHUWING!

Indien de rugleuning te ver naar achteren wordt getrokken, kan de gebruiker achterover vallen bij gebruik van de remmen. Controleer daarom zorgvuldig of de rugleuning vergrendeld in de juiste positie staat.



WAARSCHUWING!

Zorg ervoor dat uw vingers niet beklemd raken bij het naar beneden vouwen van de rugleuning.

Instelbare spanning rugleuning

De spanning van de rugleuning kan worden ingesteld met gebruik van diverse banden. De bekleding van de rugleuning kan via een opening aan de binnenzijde worden bereikt en aangepast aan individuele voorkeur.

Hoogteverstelbare rugleuning

De hoogte van de rugleuning kan in stappen van 2,5 cm worden vermeld naar verschillende hoogtes.

De aanpassingsmogelijkheden variëren van 20-25 cm, 25-30 cm, 30-35 cm tot 35-40 cm. Draai de moer (1) los, verwijder hem en plaats de rugstang in de gewenste positie. Draai de schroef weer vast. (zie de pagina over torque sleutel) (Fig. 5.19).

Fig. 5.18

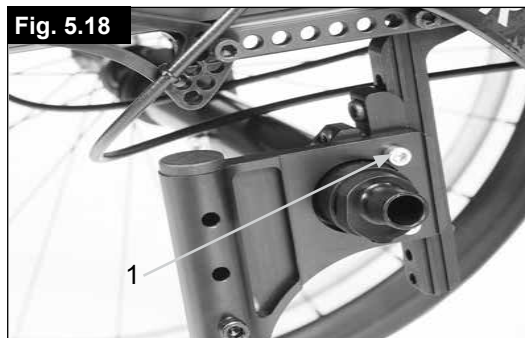
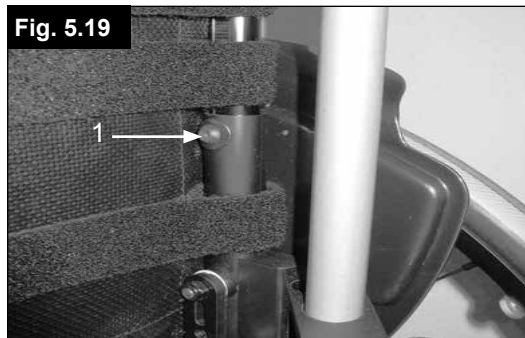


Fig. 5.19



Zijkant

De zijbescherming van de SIMBA is in de eerste plaats ontworpen voor de nieuwe, in de zijbescherming geïntegreerde remmen. Indien u deze in de zijbescherming geïntegreerde remmen niet hebt besteld, dan worden de openingen in de zijbescherming uitgerust met afdekplaten, (Fig. 5.20).

⚠️ WAARSCHUWING!

Indien de zijbescherming zonder afdekplaten wordt gebruikt, ontstaat een risico op letsel. Wanneer de in de zijbescherming geïntegreerde remmen niet worden gemonteerd, moeten de gaten worden afgedekt met een afdekplaat.

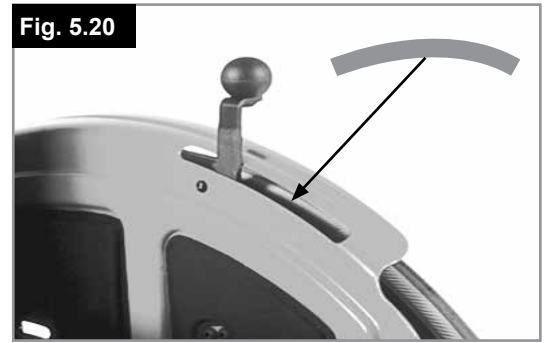
Armsteun

De armsteun wordt op de daartoe bestemde plaats op de zijbescherming geschroefd. De armsteun is in hoogte verstelbaar.

Werkblad

Het werkblad kan alleen in combinatie met de armsteunen worden gebruikt. Het wordt bevestigd aan een armsteun en tijdens gebruik rust het op beide armsteunen.

Fig. 5.20



Duwhandvat

⚠️ GEVAAR!

Een rolstoel mag nooit worden opgetild met een inzittende, maar alleen worden voortgeduwd.

In de hoogte verstelbare duwhandvatten

Die duwhandvatten zijn in hun positie beveiligd door pinnen die voorkomen dat ze per ongeluk wegschuiven. Het openen van de quick release hendel (1) maakt het mogelijk de hoogte van de duwhendels aan te passen (2) aan uw individuele wensen. Wanneer u de hendel beweegt, zult u een vergrendelingsmechanisme horen; u kunt het duwhandvat nu makkelijk in de gewenste positie brengen.

De moer bepaalt hoe stevig de duwhandvatten op hun plaats gehouden worden. Als de moer losgedraaid is, zal ook het duwhandvat te los zitten. Draai het duwhandvat naar beide kanten om u ervan te vergewissen dat hij stevig op zijn plaats zit.

Nadat u de hoogte van het duwhandvat heeft ingesteld, moet u de fixatiehendel (1) altijd stevig op zijn plaats vastmaken. Als de fixatiehendel niet goed vast zit, kan dat letsel veroorzaken (Fig. 5.21 + 5.21.1).

⚠️ OPGELET!

Indien de in hoogte verstelbare duwhendels niet op de juiste wijze zijn aangebracht, kan er 'speling' ontstaan of kunnen ze zelfs uit positie raken. Controleer daarom zorgvuldig of de relevante schroeven op de juiste wijze zijn aangedraaid.

Fig. 5.21



Fig. 5.21.1

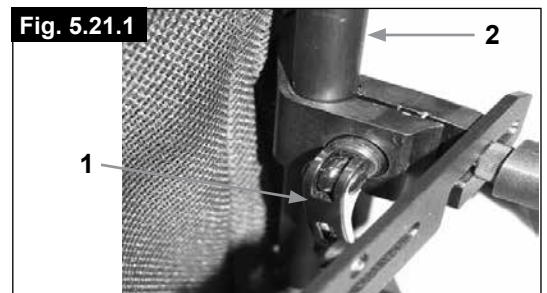
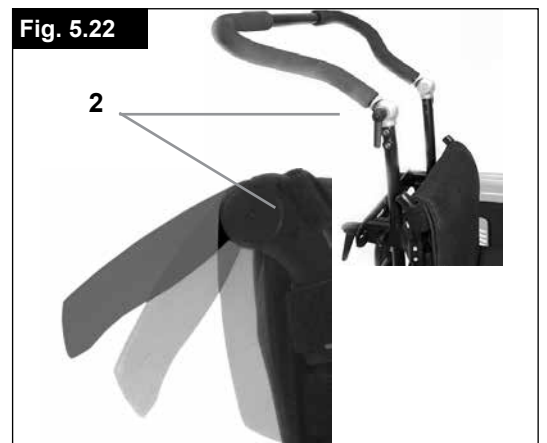


Fig. 5.22



Opvouwbare duwhandvatten/stang

Als de duwhandvatten niet worden gebruikt, kunnen ze naar beneden worden gevouwen door de hendels (2) los te maken. Wanneer ze weer nodig zijn, duwt u ze omhoog tot ze op hun plaats vastklikken, hierna draait u de hendels aan (Fig. 5.22).

Anti-tip wielen

Sunrise Medical adviseert anti-tip wielen voor alle rolstoelen. Wanneer u de anti-tip wielen aanbrengt, gebruik een aanzetmoment van 16 Nm (Fig. 5.23)

1. De anti-tip wielen in de klem schuiven:

- Druk op de knop aan de achterkant van het anti-tip wiel op de anti-tip adapter, zodat beide ontsluitingspennen naar binnen worden getrokken.
- Schuif de anti-tip wielen (1) in de anti-tip adapter.
- Draai de veiligheidswielen naar beneden tot de ontsluitingspen in de klem is bevestigd.
- Breng het tweede anti-tip wiel op dezelfde wijze aan.

2. De anti-tip wielen instellen:

Om de juiste afstand van de grond van ongeveer 2,5 tot 5 cm te verkrijgen, moeten de anti-tip wielen omhoog of omlaag worden geschoven.

- Druk op de ontsluitingsknop van de anti-tip wielen, zodat beide ontsluitingspennen naar binnen worden getrokken.
- Beweeg de binnenbuis omhoog of omlaag om in de aangebrachte hoogtegaten te vallen.
- Laat de knop los.
- Breng het tweede anti-tip wiel op dezelfde wijze aan.
- De hoogte van beide wielen moet gelijk zijn.



Indien geen anti-tip wielen zijn aangebracht, of indien deze niet correct zijn aangebracht, ontstaat het gevaar op kantelen en letsel.

Fig. 5.23

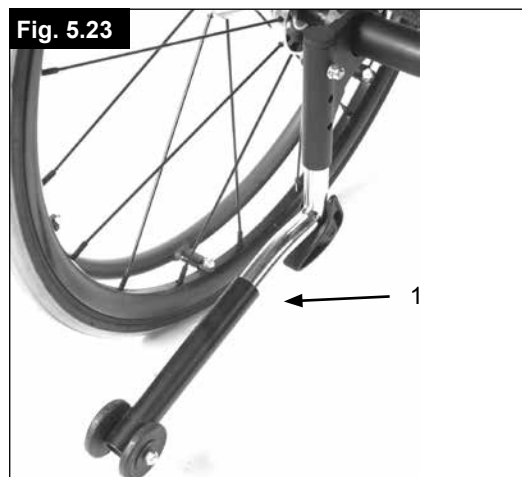


Fig. 5.24



Zitsysteem

Zitmat:

Verwijder de schroeven aan de linkerkant van de bespanning.

Pas het VELCRO®-materiaal aan om de spanning van de zittingbespanning te vergroten. Draai de schroeven weer aan.

Als het moeilijk is de schroeven weer op hun plaats te krijgen, probeer dan de gaten met een scherp voorwerp te vinden. Verzeker u ervan dat de plastic basis in de correcte positie staat voordat de schroeven weer worden aangedraaid, (5.24).

Stoelbreedte en stoeldiepte aanpassen

Aanpassing zitbreedte:

De breedte van de zitting kan tot 2 cm worden verbreed zonder dat er nieuwe onderdelen nodig zijn:

- De schroeven in de voetsteun en de as, plus de twee stabiliseerstangen op de rugleuning en onder de zitting, moeten worden losgedraaid.
- De uitschuifbare stangen op de voetsteun, de stabiliseerstangen en de asbuis moeten worden uitgetrokken om overeen te komen met de nieuwe breedte van de zitting. Vervolgens draait u de schroeven weer aan.
- De banden van de rugleuning en zitting los te maken (Velcro), waarna u de zitbreedte op de volgende grootte kunt instellen.

Zitdiepte aanpassing:

De diepte van de zitting kan tot 4 cm worden verbreed zonder dat er nieuwe onderdelen nodig zijn:

Draai de schroeven (A - Fig. 5.25) aan beide zijdes van de rolstoel op het zitframe los en verwijder deze. Breng vervolgens het gehele onderdeel, inclusief de stangen van de rugleuning, naar de gewenste positie.

Plaats de bouten "A" weer terug en draai ze aan.

Fig. 5.25

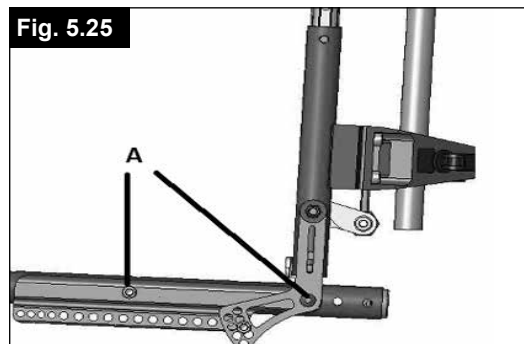


Fig. 5.26



Krukkenhouder

Krukkenhouder

Hiermee kunt u krukken meenemen op de rolstoel. De krukkenhouder heeft een velcrolus waarmee u de krukken of andere hulpmiddelen kunt vastmaken, (5.26).



Probeer de krukken of andere hulpmiddelen nooit al rijdend te verwijderen.

Fig. 5.27



Banden en montage

Standaard wordt de rolstoel met massieve rubberbanden geleverd, (5.27).



Indien voorzien van luchtbanden:

Wanneer de rolstoel is voorzien van luchtbanden, controleer dan regelmatig of de banden op de juiste spanning zijn. Een onjuiste bandenspanning kan de prestaties van de rolstoel beïnvloeden. Als er niet genoeg druk op de banden staat, zal de rolweerstand toenemen waardoor u een grotere inspanning moet leveren om de rolstoel voort te bewegen; Bovendien maakt een lage bandendruk de rolstoel minder wendbaar. Als de bandendruk te groot is, kan de band springen. De juiste druk voor een bepaalde band staat vermeld op het oppervlak van de band zelf.

De banden zijn op dezelfde manier op de velg aan te brengen als gewone fietsbanden. Alvorens u een nieuwe binnenband oplegt, moet u altijd controleren of er zich geen vreemde voorwerpen bevinden op de basis van de velg en de binnenzijde van de band. Controleer de druk nadat u een band opgelegd of hersteld hebt. Het is voor uw veiligheid en voor de goede werking van uw rolstoel van erg groot belang dat de voorgeschreven luchtdruk altijd gehandhaafd blijft en dat de banden in goede conditie zijn.

6.0 Heupgordel (voorste laterale ondersteuning)

GEVAAR!

Controleer alvorens de rolstoel te gebruiken of de heupgordel is vastgemaakt.

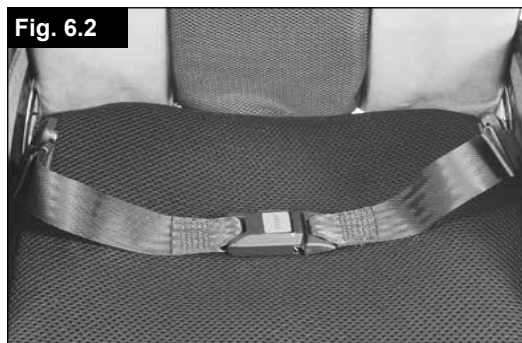
De heupgordel moet dagelijks worden gecontroleerd op slijtage. Tevens moet worden gecontroleerd of de gordel nergens gehinderd wordt.

Controleer voor gebruik altijd of de heupgordel op de juiste wijze is bevestigd en op maat is gemaakt. Als de gordel te los zit, kan de rolstoelgebruiker naar beneden glijden en bestaat het gevaar op verstikking of ernstig letsel.



De heupgordel dient aan de rolstoel bevestigd te zijn zoals getoond op de afbeeldingen. De gordel bestaat uit twee delen. Ze worden bevestigd d.m.v. de aanwezige schroef, die door het ringetje van de gordel wordt gestoken. De gordel wordt onder de achterzijde van het zijpaneel geleid, (1). (Fig. 6.1)

Pas de gordel zodanig aan dat de sluiting zich in het midden van de stoel bevindt. (Fig. 6.2).

Neem contact op met uw erkende Sunrise Medical dealer als u een heupgordel opnieuw wilt bevestigen.



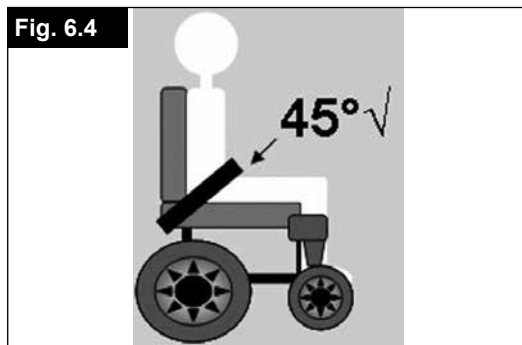
De heupgordel wordt als volgt aangepast aan de wensen van de gebruiker:


Om de lengte van de gordel te verkleinen:	Om de lengte van de gordel te vergroten
	
<p>Haal vervolgens het niet-gebruikte deel van de gordel door de gesp en geleiders. Controleer of de gordel niet om de sluiting is gedraaid.</p>	<p>Om de gordel langer te maken, haalt u het niet-gebruikte deel van de gordel door de geleiders en gesp.</p>



Controleer na het vastmaken de ruimte tussen de gordel en de gebruiker. Als men een vlakke hand tussen de gordel en het lichaam van de gebruiker kan steken (niet meer en niet minder), is de gordel correct aangemeten. (Fig. 6.3).

De heupgordel moet zodanig bevestigd worden dat hij in een hoek van 45 graden over het bekken van de gebruiker valt. Bij het op maat maken dient de gebruiker rechtop en zo ver mogelijk naar achteren te zitten. De heupgordel moet voorkomen dat de gebruiker uit de rolstoel glijdt. (Fig. 6.4).



	
<p>Om de sluiting te sluiten: Steek de tanden van de gesp in de sluiting.</p>	<p>Om de sluiting los te maken: Druk op de zichtbare delen van de tanden van de gesp en duw deze naar binnen, terwijl u tegelijkertijd de gesp rustig uit elkaar trekt.</p>

⚠ WAARSCHUWING!

- Indien u vragen of twijfels heeft over het gebruik en de wijze van gebruik van de heupgordel, vraag dan advies aan uw medische begeleider, rolstoeldealer, verzorger of begeleider.
- De heupgordel mag uitsluitend worden gemonteerd door een door Sunrise Medical erkende dealer/verkoper.
- De heupgordel mag uitsluitend op maat worden gemaakt door een professionele zorgverlener of een door Sunrise Medical erkende dealer/verkoper.
- Controleer de gordel dagelijks op slijtage of de gordel goed op maat is en of hij nergens op vastloopt of geklemd wordt.
- Sunrise Medical raadt ten zeerste af om tijdens het transport van een persoon in een voertuig deze heupgordel als veiligheidsgordel te gebruiken.



Zie ook de speciale brochure van Sunrise Medical over transport.

Onderhoud:

Controleer de gordel en de bevestigingsmaterialen geregeld op slijtage of beschadiging. Vervang de gordel indien noodzakelijk.

⚠ WAARSCHUWING!

De heupgordel dient aangepast te worden aan de uiteindelijke gebruiker zoals hierboven omschreven. Sunrise Medical adviseert de lengte en bevestiging van de gordel regelmatig te controleren om te voorkomen dat de gordel onbedoeld te lang wordt.

7.0 Mogelijke problemen

Rolstoel trekt naar één kant

- Controleer bandendruk
- Controleer of het wiel vlot draait (lagers, as)
- Controleer hoeken van zwenkwielen.
- Controleer of beide voorwielen de grond goed raken

Voorwielen beginnen te wiebelen

- Controleer hoeken van zwenkwielen.
- Controleer of alle bouten vast zitten; draai ze indien nodig vast (zie hoofdstuk over de koppelsleutel).
- Controleer of beide voorwielen de grond goed raken

Rolstoel/kruisframe klikt niet op haar plaats in het zittingszadel

- Rolstoel is nog nieuw, d.w.z. dat de zitting of de rugbekleding nog heel stijf is. Dat wordt beter naarmate de stoel meer gebruikt wordt.

Het is moeilijk om de rolstoel in te klappen

- Verstelbare rugbekleding is te stijf. Maak de losser tot het wel lukt.

Rolstoel piept en rammelt

- Controleer of alle bouten vast zitten; draai ze indien nodig vast (zie hoofdstuk over de koppelsleutel).
- Breng een beetje smeerolie aan op plaatsen waar beweegbare delen met elkaar in contact komen

Rolstoel begint te wiebelen

- Controleer hoek waarin voorwielen ingesteld zijn
- Controleer bandendruk
- Controleer of achterwielen verschillend ingesteld zijn

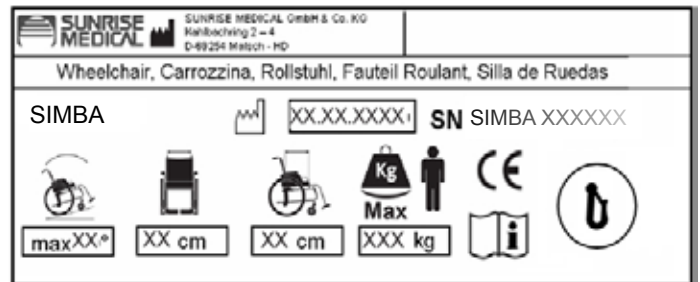
8.0 Sticker

Sticker

De sticker bevindt zich of op het kruisframe, of op de dwarsstang van het frame. Ook vindt u een sticker met gegevens in de gebruikershandleiding. Op de sticker met het serienummer staat ook de precieze naam van het model en andere technische gegevens. Wanneer u vervangingsonderdelen bestelt of een schadeclaim indient, moet u de volgende gegevens vermelden:

- Serienummer
- Ordernummer
- Maand/Jaar

VOORBEELD



SIMBA
XXXXX-XXX

Naam product, SKU nummer



De maximale veilige helling met anti-tip wielen, hangt af van de instellingen van de rolstoel, en van het postuur en de fysieke capaciteiten van de gebruiker.



Symbool fabrikant



Zitbreedte



Diepte (maximaal).



Maximale belasting.



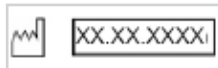
CE-keurmerk



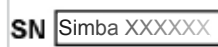
Gebruikershandleiding.



Crashtest uitgevoerd.



Productiedatum



Serienummer.

Veiligheidscontrole

Als gebruiker bent u de eerste die mogelijke defecten opmerkt. Daarom adviseren we voor ieder gebruik het volgende de controleren:

- of de bandenspanning correct is;
- of de remmen correct werken;
- of alle afneembare onderdelen goed zijn bevestigd (zoals armsteunen, hangers van de voetsteunen, quick release-assen, etc.);
- Als er beschadigingen/storingen zijn, neem dan contact op met uw erkende dealer.

Onderhoud

- Controleer geregeld de bandenspanning.
- Controleer alle banden geregeld op slijtage. (Minstens één maal per jaar.) Verwissel de banden zodra er slijtage zichtbaar is.
- Controleer de zit en rugbekleding geregeld op slijtage. (Minstens één maal per jaar.) Verwissel deze onderdelen zodra er slijtage zichtbaar is.
- Controleer alle onderdelen van het frame en de rugleuning geregeld op slijtage. (Minstens één maal per jaar.) Verwissel deze onderdelen zodra er slijtage zichtbaar is.
- Controleer de remmen geregeld op slijtage. (Minstens één maal per jaar.) Controleer of de remmen naar behoren functioneren en gemakkelijk gebruikt kunnen worden. Verwissel de remmen zodra er slijtage zichtbaar is.
- Controleer geregeld, minstens één maal per jaar, alle schroeven en bouten (zie het hoofdstuk over draaikracht). Alle schroeven die een groot belang hebben in verband met de veiligheid van de rolstoel, hebben veiligheidsbouten. U mag borgmoeren maar één keer monteren en u moet ze vervangen na een bepaalde gebruiksperiode.
- Om de 8 weken ongeveer moet u een klein beetje naaimachine-olie op de quick-release-assen aanbrengen. Afhankelijk van hoe frequent u uw rolstoel gebruikt, raden we aan dat u om de 6 maanden met uw rolstoel naar uw dealer gaat waar gespecialiseerd personeel hem kan nakijken.
- De rolstoel moet altijd op een droge plaats worden opgeslagen.

Er zijn geen verdere maatregelen nodig als u de rolstoel voor langere tijd wilt opbergen. Zorg ervoor dat de rolstoel op kamertemperatuur op een droge locatie wordt opgeborgen, beschermd tegen fel zonlicht. Voordat de rolstoel weer in gebruik wordt genomen, moet hij door een erkende dealer worden nagekeken.

OPGELET!

- Als er instellingen voor de draaikracht worden opgegeven, adviseren we een meetapparaat te gebruiken om de controleren of u schroeven met de juiste draaikracht heeft vastgemaakt.
- Het geniet de voorkeur uitsluitend originele, door Sunrise Medical goedgekeurde onderdelen te gebruiken. Gebruik geen onderdelen van andere fabrikanten die niet zijn goedgekeurd door Sunrise Medical.
- Gebruik alleen zachte (niet agressieve) schoonmaakproducten om uw rolstoel schoon te maken. Gebruik alleen water en zeep wanneer u de bekleding van de stoel en de heupgordel reinigt.
- Afhankelijk van de frequentie en de wijze waarop u uw rolstoel gebruikt, adviseren wij dat u uw rolstoel geregeld, maar minstens één maal per jaar, bij uw erkende dealer laat nakijken door opgeleid personeel.

OPGELET!

- Zand en zeewater (of zout in de winter) kan de rollagers van de voor- en achterwielen beschadigen. Als uw rolstoel hieraan werd blootgesteld, maak hem dan zorgvuldig schoon en droog.
- Als uw rolstoel nat wordt, moet u hem na gebruik afdrogen.

De onderstaande onderdelen kunnen worden verwijderd en voor reparatie teruggezonden naar de fabrikant/dealer:

- Achterwielen
- Armsteun
- Voetsteunen
- Anti-tip wielen

Hygiënemaatregelen als de stoel wordt gebruikt door nieuwe gebruiker:

Voordat de rolstoel door een nieuwe gebruiker in gebruik genomen wordt, moet de stoel zorgvuldig worden voorbereid. Alle oppervlaktes waarmee de gebruiker in aanraking komt, moeten behandeld worden met een desinfecterende spray.

Hiervoor heeft u een ontsmettingsmiddel van de DGHM-lijst nodig, bijv. Antifect Liquid (Schülke & Mayr) voor snelle ontsmetting op alcoholbasis voor medische producten en medische instrumenten, die snel moeten worden ontsmet. Let op de instructies van de fabrikant van het ontsmettingsmiddel dat u gebruikt.

Over het algemeen kan op de naden van de rolstoel geen volledige ontsmetting worden gegarandeerd. Daarom wordt geadviseerd de zitting en rugleuning te vervangen om microbacteriële besmetting te voorkomen. (In overeenstemming met de Wet Medische hulpmiddelen).

10.0 Technische gegevens

Max. Totale hoogte:	1000 mm
Max. Totale lengte:	850 mm
Max. Draaicirkel:	650 mm
Max veiligheid helling:	10°
Gewicht:	Vanaf 9 kg
Gewicht zonder achterwielen:	vanaf 6,9 kg
Gewicht van het zwaarste onderdeel:	2,1 kg

Max. Breedte:

CAMBER	20" ACHTERWIEL	22" ACHTERWIEL	24" ACHTERWIEL
0° camber	ZB + 160 mm	ZB + 160 mm	ZB + 160 mm
3° camber	ZB + 200 mm	ZB + 210 mm	ZB + 220 mm
6° camber	ZB + 260 mm	ZB + 270 mm	ZB + 280 mm
9° camber	ZB + 310 mm	ZB + 320 mm	ZB + 330 mm

Maximaal gebruikersgewicht:

SIMBA tot een gebruikersgewicht tot 65 kg

Stoelhoogtes:

De keuze van frames, vorken en zwenkwielen, evenals de maat van het achterwiel (20", 22", 24") bepaalt de beschikbare stoelhoogtes.

De rolstoel voldoet aan de volgende vereisten:

1. Vereisten en test voor statische krachten, botskrachten en materiaalmoeheid (ISO 7176-8)
2. Ontstekingsweerstand (EN 1021 - 2).

11.0 Afvalverwerking / recycling van materialen

Indien u de rolstoel kosteloos hebt verkregen, is de rolstoel niet uw eigendom. Wanneer de rolstoel niet langer nodig is, volg dan de instructies van de organisatie op die de rolstoel beschikbaar heeft gesteld, hoe deze terug te sturen. Hieronder staan de materialen omschreven zoals deze worden gebruikt in de rolstoel, met betrekking tot de verwerking tot afval en recycling van de rolstoel en zijn verpakking.

Geldende specifieke wetgeving met betrekking tot afvalverwerking en recycling moet in acht worden genomen wanneer de rolstoel het einde van zijn levensduur heeft bereikt. (Mogelijk moet de rolstoel gereinigd of gedesinfecteerd worden alvorens deze naar de afvalverwerking wordt gebracht.)

Aluminium: Zwenkwielvork, wielen, zijkant van het chassis, frame armleuning, voetplaat, duwhendels,

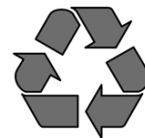
Staal: bevestigingspunten, quick release assen.

Plastic: Hendels, buisstoppen, zwenkwielen, voetplaten, armkussens, en 12" wiel/band.

Verpakking: Plastic zakken gemaakt van zacht polyethyleen, karton

Bekleding: Geweven polyester met PVC coating en geëxpandeerd gevormd schuim.

Afvalverwerking of recycling dient plaats te vinden via een erkende agent, afvalverwerking met vergunningen. Als alternatief kunt u uw handbike ook terugbrengen naar uw dealer voor verdere afvalverwerking.



Introducción

Estimado cliente,

Nos alegra que se haya decidido por una silla de ruedas de SUNRISE MEDICAL.

Este manual de instrucciones le proporcionará soluciones e ideas para que pueda obtener el mejor rendimiento de su nueva silla de ruedas.

Mantener lazos de unión con nuestros clientes significa mucho para SUNRISE MEDICAL. Por eso queremos mantenerle informado de nuestros nuevos productos. Un contacto cercano con nuestros clientes es sinónimo de: servicio rápido, papeleo simplificado y comunicación permanente. Cuando necesite repuestos o accesorios, o simplemente si tiene una duda con respecto a su silla de ruedas, estamos aquí para ayudarle.

Queremos que se sienta satisfecho con nuestros productos y nuestro servicio. En Sunrise Medical estamos trabajando permanentemente para desarrollar nuestros productos más aún. Por esta razón pueden producirse cambios en la forma, tecnología o equipamientos de nuestros productos. Por consiguiente, no se aceptarán reclamaciones por la información o las imágenes recogidas en este manual.

El sistema de gestión de SUNRISE MEDICAL cuenta con las certificaciones EN ISO 9001, ISO 13485 e ISO 14001.



Como fabricante, SUNRISE MEDICAL, declara que sus sillas de ruedas ligeras siguen la directriz 93/42/EEC.

Comuníquese con su distribuidor local autorizado de SUNRISE MEDICAL si tiene alguna pregunta acerca del uso, mantenimiento o seguridad de su silla de ruedas.

En caso de que no hubiese un distribuidor autorizado en su región, o si tuviese alguna pregunta, puede comunicarse con Sunrise Medical por escrito o por teléfono:

Sunrise Medical S.L.
Polígono Bakiola, 41
48498 Arrankudiaga – Vizcaya
España
Tel.: +34 (0) 902 14 24 34
Fax: +34 (0) 94 648 15 75
www.SunriseMedical.es

IMPORTANTE:



**NO UTILICE ESTA SILLA DE RUEDAS HASTA
 HABER LEÍDO Y COMPRENDIDO ESTE MANUAL.**

Uso

Las sillas de ruedas están diseñadas exclusivamente para la utilización de un usuario que es incapaz de caminar o tiene movilidad reducida, al autopropulsarse o los traslada un tercero (asistente que empuja la silla) en interiores o exteriores.

El límite de peso máximo (que incluye el peso del usuario más el peso de cualquier otro accesorio instalado en la silla de ruedas) está indicado en la etiqueta con el número de serie, ubicada en el tubo de la cruceta o barra estabilizadora, debajo del asiento.

El producto debe ser utilizado bajo las condiciones especificadas y con los fines indicados; de lo contrario, la garantía quedará anulada.

La vida útil estimada de una silla de ruedas es de 5 años. **NO SE DEBEN INSTALAR** piezas que no sean las estándar para cada producto y oficialmente aprobadas por Sunrise Medical.

Área de aplicación.

La variedad de opciones disponibles así como el diseño modular de la silla permiten que ésta puede ser usada por personas que no pueden caminar o con movilidad reducida debido a:

- Parálisis
- Pérdida de extremidades (amputación)
- Defecto o deformidad en extremidades
- Contracturas o lesiones en articulaciones
- Enfermedades tales como deficiencia circulatoria o cardíaca, alteración de equilibrio o caquexia, o ancianos que todavía conservan fuerza en la parte superior del cuerpo.

Al solicitar una silla de ruedas, tenga en cuenta el tamaño corporal, peso, constitución física y fisiológica, edad, condiciones de vida y entorno del usuario.

1.0 Instrucciones generales de seguridad y restricciones de conducción	116
2.0 Transporte	119
3.0 Garantía	121
4.0 Utilización	122
5.0 Opciones	122
Tubos de cola	122
Frenos	122
Ajuste de la plataforma del reposapiés	123
Rueda delantera	124
Asiento	124
Alineación de las ruedas	125
Respaldo	126
Protector lateral	127
Empuñadura	127
Ruedas anti-vuelco	128
Asiento	128
Aumento de la anchura y la profundidad de asiento	129
Soporte de bastones	129
Cubiertas y montaje	129
6.0 Cinturón de seguridad (Soporte antero-lateral)	130
7.0 Posibles problemas	132
8.0 Placa de Identificación	132
9.0 Mantenimiento y cuidado	133
10.0 Datos técnicos	134
11.0 Deshecho / reciclaje de los materiales	134

NOTA:

Es posible que las sillas de ruedas mostradas y descritas en este manual no sean exactamente iguales al modelo que usted posee. No obstante, todas las instrucciones aquí proporcionadas pueden aplicarse perfectamente más allá de las diferencias en los detalles. El fabricante se reserva el derecho de modificar, sin previo aviso, los pesos, medidas y otros datos técnicos descritos en este manual. Todas las figuras, medidas y capacidades aquí mostradas son aproximadas y no constituyen especificaciones.

3.1 Definiciones de términos utilizados en este manual

Palabra	Definición
 ¡PELIGRO!	Consejo al usuario de Riesgo potencial de lesión severa o incluso la muerte si no se respeta el consejo sugerido
 ¡ADVERTENCIA!	Advierta al usuario sobre el riesgo potencial de lesión si no respeta el consejo sugerido
 ¡PRECAUCIÓN!	Advierte al usuario acerca de la posibilidad de producirse un daño eventual en el equipo de no seguir esta precaución
NOTA:	Consejos generales sobre el buen uso.
	Referencia a documentación adicional

NOTA:

Anote la dirección y el teléfono del servicio de asistencia local en el recuadro que aparece a continuación. En caso de avería, contacte con el agente local e intente proporcionarle toda la información pertinente de forma que le puedan ayudar lo antes posible.

Firma y sello del distribuidor

1.0 Instrucciones generales de seguridad y restricciones de conducción



El diseño y construcción de esta silla de ruedas han sido realizados de forma que se garantice la máxima seguridad. Se ha cumplido con las normativas internacionales de seguridad actualmente en vigor. Sin embargo, los usuarios pueden ponerse a sí mismos en peligro si las sillas de ruedas son utilizadas de forma inapropiada. Por su propia seguridad, siga estrictamente las siguientes recomendaciones:

La adaptación o ajuste no profesional o inapropiado puede aumentar el riesgo de accidente. Como usuario de una silla de ruedas, usted forma parte del tránsito diario en las calles y aceras, igual que cualquier otra persona. Por lo que le recordamos que usted debe también cumplir con las normas de tránsito.

Tenga cuidado cuando utilice la silla de ruedas por primera vez. Conozca todos sus mandos y funciones.

Antes de cada uso, debe comprobar lo siguiente:

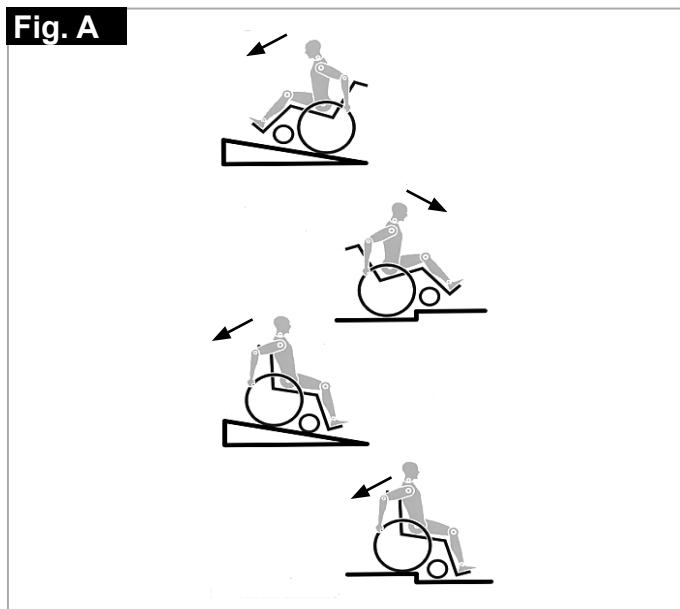
- Ejes de desmontaje rápido de las ruedas traseras
- Velcro de asientos y respaldos
- Cubiertas, presión de las cubiertas y frenos de las ruedas.



Antes de cambiar cualquiera de los ajustes de esta silla de ruedas, es importante que lea la sección correspondiente del manual del usuario.

Es posible que si existen baches, o el suelo no es uniforme la silla vuelque, especialmente cuando se desplaza cuesta arriba o cuesta abajo. Cuando sube un escalón o sube por una pendiente, el cuerpo debe ir inclinado hacia delante.

- NUNCA exceda la carga máxima de 65 kg; esto incluye el peso del conductor más cualquier otro objeto que se lleve en la silla de ruedas. Tenga en cuenta la posibilidad sobre opciones más ligeras, que serán consideradas opciones con un coste adicional. Si se excede la carga máxima, el rendimiento de la silla de ruedas se verá afectado, o bien podría provocarse una caída, vuelco o pérdida del control y ocasionar lesiones severas en el usuario u otra persona.
- A fin de evitar caídas y situaciones peligrosas, se aconseja comenzar a utilizar su nueva silla de ruedas en una superficie llana con condiciones de buena visibilidad.
- La silla de ruedas debe ser utilizada exclusivamente para transportar a una persona. Cualquier otro uso, no cumple con el propósito establecido.
- Al subir o bajar de la silla de ruedas, no utilice las plataformas reposapiés. Antes deben girarse hacia arriba y abrirse hacia afuera al máximo ángulo posible.
- Dependiendo del diámetro y la instalación de las ruedas delanteras pivotantes, como también del centro de gravedad de la silla, las ruedas delanteras pueden oscilar a velocidades altas. Si esto ocurre, las ruedas delanteras podrían bloquearse y, como resultado, la silla podría volcar. Por lo tanto, asegúrese de que las ruedas delanteras estén ajustadas correctamente (consulte la sección "Ruedas delanteras").
- Especialmente, no conduzca sin frenos en una pendiente; viaje a una velocidad reducida. Con velocidades más altas, y según la constitución y capacidades físicas del usuario, las ruedas delanteras podrían oscilar inesperadamente. Esto podría ocasionar lesiones al usuario.
- Explore los efectos del cambio del centro de gravedad en el comportamiento de la silla de ruedas; por ejemplo, en pendientes, cuestas, todo tipo de gradientes o al sortear obstáculos. Realice estas pruebas si cuenta con la seguridad de un asistente.
- Recomendamos el uso de ruedas antivuelco para los usuarios sin experiencia.
- El único propósito de las ruedas antivuelco es evitar que la silla vuelque hacia atrás involuntariamente. No están para reemplazar a las ruedas de tránsito ni ser utilizadas para transportar una persona en una silla de ruedas que no tenga las ruedas traseras instaladas.
- Si se utilizan los puntos extremos de fijación (por ejemplo, las ruedas traseras en la posición más adelantada) y la postura no es la adecuada, la silla de ruedas podría volcar, incluso hasta sobre una superficie llana.
- Incline la parte superior de su cuerpo hacia delante al subir pendientes y escalones.
- Incline la parte superior de su cuerpo hacia atrás al bajar pendientes y escalones.
- Si va a instalar accesorios de movilidad en su silla de ruedas, como handbikes o dirección asistida electrónica, etc., asegúrese de que la silla esté equipada con las horquillas correspondientes para las ruedas delanteras, aprobadas para este uso. Si tiene alguna duda, póngase en contacto con su distribuidor.
- Tenga en cuenta que, en determinadas configuraciones, la silla de ruedas podría exceder la anchura de 700 mm. Si este fuera el caso, es posible que en determinadas circunstancias, no pueda usar algunas o ninguna de las salidas de emergencia de un edificio. Puede ser más difícil, o hasta imposible, viajar en transporte público.





¡PELIGRO!

- No cuelgue objetos pesados, como bolsas de compras o mochilas, en los tubos del respaldo, reposacabezas o en el respaldo de la silla de ruedas.
- Hacerlo podría cambiar el punto de basculación de la silla, que podría inclinarse hacia delante.
- Si desea alcanzar un objeto (que se encuentre enfrente, de lado o detrás de la silla de ruedas) no se incline demasiado ni se aleje del respaldo, ya que si modifica el centro de gravedad, corre el riesgo de desestabilizarse o resbalarse y caer.
- Solo use la silla de ruedas correctamente. Por ejemplo, evite sortear un obstáculo sin antes frenar (escalones, bordillos) o pasar por encima de un bache.
- Solo intente subir o bajar escaleras con la ayuda de un asistente. Si hay equipamiento disponible para tales fines; por ejemplo, rampas o ascensores, por favor úselos. Si, en cambio, no cuenta con tal equipamiento, se precisarán dos asistentes para inclinar y empujar la silla, que nunca debe ser cargada.
- En general, los tubos antivuelco deben acomodarse de antemano para evitar el contacto con los escalones; de lo contrario, podría ocasionarse una caída grave. Inmediatamente después, los tubos de las ruedas antivuelco deben volver a colocarse en su posición correcta.
- Asegúrese de que el asistente solo sostiene la silla de ruedas por piezas montadas de manera segura (y no la toma de los reposapiés ni de los protectores laterales).
- Al hacer uso de la rampa de elevación, compruebe que las ruedas antivuelco instaladas estén en una posición alejada del área de peligro.
- Asegure la silla cuando conduzca por una superficie irregular o cuando realice transferencias (por ejemplo, hacia un coche) utilizando los frenos.
- Los usuarios con amputación a nivel de los muslos deben utilizar ruedas antivuelco.
- Antes de conducir su silla, compruebe que la presión de los neumáticos sea la correcta. Para las ruedas traseras, debe ser de 3,5 bar (350 kPa), como mínimo. La presión máxima está indicada en el neumático.
- Los frenos de empuje a nivel de la rodilla solo funcionarán si hay suficiente presión en los neumáticos y si se ha establecido la configuración correcta (consulte la sección sobre "Frenos").
- Los sistemas de bloqueo de las ruedas no tienen como fin ser utilizados como freno de su silla de ruedas. Solamente han sido instalados para asegurar que su silla de ruedas no empiece a rodar de forma imprevista. Cuando se detenga sobre una superficie irregular, debe accionar siempre los frenos para impedir que la silla se desplace de forma imprevista. Accione siempre los dos frenos, ya que de lo contrario su silla podría volcar.
- Los frenos no han sido diseñados para detener de golpe o reducir la velocidad de la silla.
- Utilice siempre los ascensores y rampas. De no estar disponibles, deberá solicitar la ayuda de un tercero, que sólo deberá sujetar la silla de ruedas por los componentes fijos de la misma. Si dispone de ruedas antivuelco instaladas, tendrán que abatirse. Nunca levante una silla de ruedas cuando hay un ocupante en ella; en ese caso, solo empújela.



¡PELIGRO!

- Si las tapicerías del respaldo y el asiento presentan daños, debe reemplazarlas de inmediato.
- No levante la silla de ruedas por los tubos posteriores ni por las empuñaduras.
- No instale ningún dispositivo electrónico ni de movilidad, automático o manual, bicicleta de mano ni cualquier otro aparato no autorizado que pudiese alterar el uso indicado o la estructura de la silla de ruedas.
- Cualquier combinación con otro dispositivo médico requiere la aprobación de Sunrise Medical.
- Evite el contacto con el fuego, en especial con cigarrillos encendidos. Las tapicerías del asiento y respaldo podrían prenderse fuego.
- Si se realiza un trayecto en un vehículo adaptado, los ocupantes del vehículo deben utilizar, en la medida de lo posible, los asientos del vehículo y el sistema de sujeción apropiado. Esta es la única manera de garantizar la máxima protección de los usuarios en caso de accidente. Si se utilizan el equipamiento de seguridad que brinda SUNRISE MEDICAL y se cuenta con un sistema de seguridad especialmente diseñado. Las sillas de ruedas de peso ligero pueden usarse como asiento cuando se las transporta en un vehículo especialmente preparado para este fin. (Consulte la sección de "Transporte").
- Siempre compruebe que los ejes de desmontaje rápido de las ruedas traseras estén correctamente instalados y fijos en posición. Si el botón del eje de desmontaje rápido no está pulsado, la rueda trasera no podrá extraerse.
- Cuando utilice aros de empuje de metal ligero, tenga en cuenta que la temperatura de los dedos puede subir al frenar de una velocidad alta o en pendientes largas.
- Si se somete a la silla a una fuente directa de luz solar durante un periodo largo de tiempo, las piezas de la silla de ruedas (armazón, reposapiés, frenos y protectores laterales) pueden subir de temperatura (>41°C).
- Para evitar lesiones en las manos, no sujete por entre los radios o entre la rueda trasera y el sistema de bloqueo cuando conduce la silla.
- Al utilizar la silla al aire libre, siempre use guantes de cuero. Así se incrementa el agarre y se protegen los dedos de la suciedad y el sobrecalentamiento.
- No utilice la silla de ruedas en pendientes superiores a 10°.
- El tomar una pendiente de forma dinámica y segura depende de la configuración de la silla, de la habilidad de conducción del usuario y del estilo de montaje. Debido a que la habilidad de conducción y el estilo de montaje del usuario no son factores predeterminados, la pendiente segura máxima no puede determinarse tampoco. Por lo tanto, el usuario y un asistente deberán determinar estos factores a fin de evitar vuelcos inadvertidos. Recomendamos encarecidamente la instalación de ruedas anti-vuelco en sillas de usuarios con poca experiencia.
- No utilice la silla de ruedas en terrenos cubiertos de barro o de hielo.
- No utilice la silla de ruedas en sitios donde no están permitidos los peatones.
- Todas las piezas móviles acarrearán el riesgo natural de atrapamiento de los dedos. Manéjense con especial cuidado.
- No se recomienda el uso de la silla de ruedas bajo lluvia, ni en superficies cubiertas de nieve, resbaladizas o inseguras.
- No utilice la silla de ruedas en entornos peligrosos.

¡ADVERTENCIA!

PELIGRO DE ASFIXIA - La silla de ruedas puede incorporar piezas pequeñas que, en determinadas circunstancias, pueden presentar un peligro de asfixia para los niños pequeños.

¡ADVERTENCIA!

Solo un distribuidor autorizado podrá llevar a cabo los ajustes necesarios en su silla de ruedas, especialmente aquellos en los componentes relacionados con la seguridad. Estos ajustes incluyen: los frenos, las ruedas antivuelco, el ángulo y la altura del respaldo, la longitud de pierna, el centro de gravedad, el cinturón de seguridad, la angulación de las ruedas traseras o camber, la altura del asiento, y el ángulo y estabilidad de la dirección de la horquilla.

NOTA:

- El rendimiento de los frenos de rodilla y las características generales de conducción dependen esencialmente de la presión de los neumáticos. La silla de ruedas resulta mucho más ligera y fácil de maniobrar cuando las ruedas traseras están hinchadas correctamente y ambas ruedas tienen la misma presión.
- Compruebe que las cubiertas de las ruedas tengan suficiente profundidad en los ribetes.
- Tenga en cuenta que, como usuario de la silla de ruedas, está sujeto a todas y cada una de las leyes de tránsito cuando conduce en lugares públicos.
- Si conduce en la oscuridad, utilice ropa de colores claros o que contenga reflectores, para ser visto más fácilmente. Compruebe que los reflectores laterales y traseros de la silla de ruedas se vean claramente. Recomendamos también que haga instalar una luz activa.
- Siempre procure no atraparse los dedos cuando trabaja o hace ajustes en la silla de ruedas.
- Es posible que las sillas de ruedas mostradas y descritas en este manual no sean exactamente iguales al modelo que usted posee. No obstante, todas las instrucciones aquí proporcionadas pueden aplicarse perfectamente más allá de las diferencias en los detalles.
- El fabricante se reserva el derecho de modificar, sin previo aviso, los pesos, medidas y otros datos técnicos descritos en este manual. Todas las figuras, medidas y capacidades aquí mostradas son aproximadas y no constituyen especificaciones.

Vida útil

- La vida útil estimada de una silla de ruedas es de 5 años.

2.0 Transporte



Existe un alto riesgo de producirse lesiones graves e incluso la muerte si no se toman en cuenta estos consejos.

Transporte de la silla de ruedas en un vehículo:

Una silla de ruedas sujeta en un vehículo nunca proporciona el mismo nivel de seguridad que el sistema de asiento propio del vehículo. Siempre es recomendable que, en la medida de lo posible, el usuario se transfiera al asiento del vehículo. Reconocemos, en cambio, que no siempre es práctico para el usuario ser transferido y, en esas circunstancias en las que el usuario debe ser transportado en la propia silla de ruedas, se deberían seguir los siguientes consejos:

1. Confirme que el vehículo esté correctamente equipado para transportar un pasajero en silla de ruedas y verifique que tenga el método de acceso/egreso adecuado para su modelo de silla. El vehículo debe tener la resistencia suficiente en el piso como para mantener el peso combinado del usuario, la silla y los accesorios.
2. Se debe contar con suficiente espacio disponible alrededor de la silla de ruedas para poder amarrar, ajustar y soltar las correas de sujeción y los cinturones de seguridad de la silla y del ocupante.
3. La silla de ruedas debe colocarse siempre mirando hacia el frente y debe asegurarse mediante los puntos de sujeción de la misma y mediante los cinturones de seguridad del ocupante (sistema de sujeción de seguridad en vehículos de transporte, WTORS, que cumpla con las normas ISO 10542 parte 2 o SAE J2249) según las instrucciones sobre WTORS del fabricante.
4. El uso de la silla de ruedas en otras posiciones dentro del vehículo no ha sido evaluado; por lo tanto, no debe transportarse la silla con la parte frontal mirando de lado bajo ninguna circunstancia (Fig. A).
5. La silla de ruedas deberá estar sujeta por un sistema de Retención, conforme a las normas ISO 10542 o SAE J2249, con correas anteriores no ajustables y correas posteriores ajustables, que utilicen generalmente mosquetones, ganchos en S y sistema de acoplamiento de lengüeta y hebilla. Estos anclajes generalmente constan de cuatro correas individuales acopladas a cada esquina de la silla.
6. Los cinturones de seguridad deberán estar instalados en el armazón principal de la silla de ruedas, tal como se indica en el diagrama de la página siguiente, y no en los accesorios, como los rayos de las ruedas, frenos o reposapiés.

7. Las correas de sujeción de seguridad deberán estar sujetadas lo más cerca posible a un ángulo de 45° y estar firmemente ajustadas de acuerdo con las instrucciones del fabricante del sistema de sujeción.
8. No se deben llevar a cabo alteraciones ni sustituciones en los puntos de sujeción de la silla de ruedas ni en el armazón, estructura o demás componentes sin antes consultar con el fabricante. De lo contrario, la silla de ruedas Sunrise Medical no podrá ser transportada en un vehículo.
9. Los cinturones de sujeción pélvico y troncal deben utilizarse para sujetar al ocupante, reducir la posibilidad de impacto en el pecho y la cabeza con los componentes del vehículo y evitar lesiones severas en el usuario u otro ocupante del vehículo. (Fig. B) El cinturón de seguridad troncal debe ir montado al pilar "B" del vehículo; de lo contrario, aumenta el riesgo de producirse lesiones abdominales severas al usuario.
10. Se debe contar con un sistema de sujeción de cabeza apropiado para el transporte (ver etiqueta del reposacabezas) instalado y colocado correctamente en todo momento durante el traslado.
11. No se deben utilizar los soportes posturales (cinturones de posicionamiento, cinturones pélvicos) para la sujeción del ocupante en un vehículo en movimiento, a menos que lleven la etiqueta de conformidad con los requisitos especificados en las normas ISO 7176-19:2001 o SAE J2249.
12. La seguridad del usuario durante el transporte depende del cuidado de la persona que ajuste los cinturones de seguridad, quien deberá haber recibido instrucciones o entrenamiento pertinentes para el uso de los mismos.
13. En la medida de lo posible, aleje de la silla de ruedas de todo el equipamiento auxiliar que lleve, por ejemplo:
14. Bastones, Cojines sueltos y Mesas.
15. Los reposapiés elevables no deben usarse en posición elevada cuando la silla de ruedas y el usuario están siendo transportados y la silla de ruedas está amarrada con el sistema de sujeción de seguridad en vehículos de transporte.
16. Los respaldos reclinables deben colocarse en posición vertical.
17. Los frenos de mano deberán estar firmemente accionados.
18. El cinturón de sujeción debe ir montada en el pilar "B" del vehículo y no debe quedar alejada del cuerpo debido a los componentes de la silla de ruedas, tales como reposabrazos o ruedas.

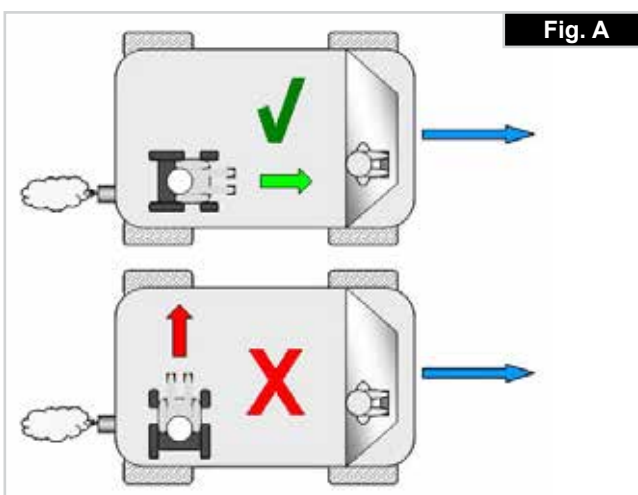


Fig. A

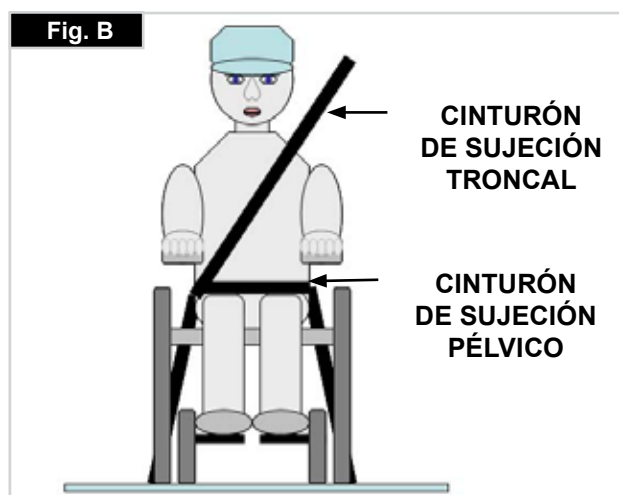


Fig. B

Instrucciones para utilizar el sistema de sujeción:

1. El cinturón de seguridad pélvico debe usarse por delante de la pelvis, de manera que el ángulo del cinturón quede dentro de la zona de preferencia (entre 30 y 75 grados respecto del suelo).
2. Siempre es mejor un ángulo más pronunciado (o mayor) dentro de la zona de preferencia, o sea, más cercano a los 75°, pero nunca excediéndolos. (Fig. C).
3. El cinturón de seguridad troncal debe colocarse por encima del hombro y debe atravesar el pecho, tal como se muestra en la ilustración Fig. D y E.
4. Los cinturones de sujeción deben quedar ajustados en su punto más ceñido, siempre que resulte cómodo para el usuario.
5. Los cinturones de sujeción no deben estar retorcidos cuando se los utiliza.
6. El cinturón de seguridad troncal debe colocarse por encima del hombro y debe cruzar por el hombro y el pecho, tal como se muestra en la ilustración Fig. D y Fig. E.
7. Los puntos de anclaje a la silla son: el lado delantero interior del armazón (justo arriba de la rueda delantera) y el lado posterior del armazón. Las correas están instaladas alrededor de los armazones laterales en la intersección de los tubos vertical y horizontal. (Vea Fig. G - H)
8. El símbolo del gancho de seguridad en el armazón (Fig. F) de la silla de ruedas indica la posición de la correa de sujeción de la silla. Las correas se tensionan después de que las correas delanteras se han fijado para asegurar la silla.

PESO DEL USUARIO INFERIOR A 22 kg

Cuando el usuario transportado es un niño, de menos de 22 kg de masa, y el vehículo en cuestión lleva menos de ocho (8) personas sentadas, se recomienda realizar una transferencia a un sistema de anclaje infantil (CRS) compatible con la regulación 44 de UNCE.

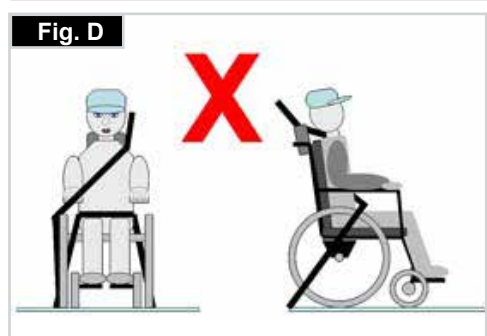
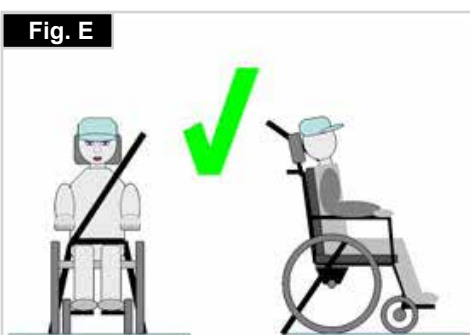
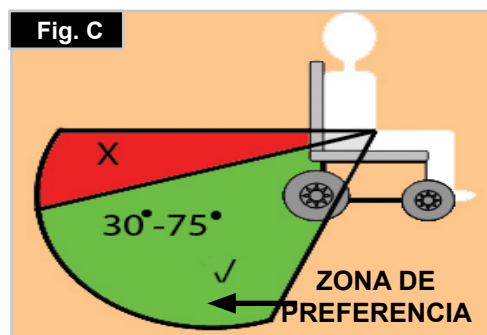
Este tipo de piezas de anclaje proporciona un sistema de sujeción más eficaz para el ocupante que los sistemas convencionales de sujeción de 3 puntos y algunos sistemas CRS también incluyen soportes posturales para ayudar a mantener la posición del niño cuando está sentado.

En algunos casos, los padres, o los proveedores de cuidados, pueden considerar la opción de que el niño permanezca en su silla de ruedas mientras está en el vehículo de transporte debido a su nivel de comodidad y control postural de los ajustes de la silla de ruedas.

En esos casos le recomendamos que tanto un profesional de la salud u otra persona competente en la materia lleve a cabo una evaluación de riesgos.

Transporte - ubicación de los correas de seguridad en la silla de ruedas

- La silla de ruedas asegurada con correas de seguridad delanteras. (Fig. G).
- Posición de las correas de seguridad traseras de la silla de ruedas (Fig. H).



GARANTÍA**ESTA GARANTÍA NO AFECTA DE FORMA ALGUNA SUS DERECHOS LEGALES.**

Tal como se establece en las condiciones de la garantía, Sunrise Medical* proporciona a sus clientes una garantía mundial de las sillas de ruedas que cubre lo siguiente:

Condiciones de la garantía

1. Si una o varias piezas de la silla requiriesen reparación o sustitución como consecuencia de un desperfecto de fábrica y/o fallo de material dentro de un plazo de 24 meses -o para el armazón y crucetas, dentro de un plazo de 5 años después de la entrega al cliente- las piezas afectadas se repararán o reemplazarán sin cargo alguno. (Las baterías están garantizadas por un período de 6 meses, siempre y cuando se siga el plan indicado para el cuidado de las mismas)
2. Para poder hacer valer la garantía, póngase en contacto con el Servicio de Atención al Cliente de Sunrise Medical con los detalles exactos de la naturaleza del desperfecto. En caso de estar utilizando la silla de ruedas fuera del área cubierta por el agente de atención al cliente de Sunrise Medical, las reparaciones o sustituciones se llevarán a cabo por otra agencia designada por el fabricante. Solo un agente de atención al cliente designado por Sunrise Medical (o distribuidor) podrá reparar la silla de ruedas defectuosa.
3. Para las piezas que se hubiesen reparado o cambiado dentro del período de esta garantía, ofrecemos una garantía de conformidad con las condiciones de ésta para el período de garantía restante de la silla de ruedas, según lo dispuesto en el punto 1).
4. En cuanto a las piezas de repuesto que se hubiesen instalado por cuenta del cliente, estas tendrán una garantía de 12 meses (después de la instalación) de conformidad con estas condiciones de esta garantía.
5. Las piezas consumibles, tales como pastillas, neumáticos, cámaras y componentes similares, quedan excluidos de la garantía, salvo en el caso de que el desgaste prematuro de la pieza sea el resultado directo de un defecto de fábrica.
6. Los reclamos de esta garantía no tendrán validez si la reparación o la sustitución de una silla de ruedas o una pieza fuesen necesarias por las siguientes razones:
 - a) El producto o la pieza no ha recibido el mantenimiento según lo estipulado en las recomendaciones del fabricante, tal como se muestra en las instrucciones del usuario y las instrucciones de mantenimiento.
 - b) Se han utilizado accesorios no especificados como originales.
 - c) La silla de ruedas o sus componentes han sido dañados por negligencia, accidente o uso inapropiado.
 - d) Se han realizado cambios o modificaciones a la silla de ruedas o a componentes, diferentes de las especificadas por el fabricante.
 - e) Se han realizado reparaciones antes de haber informado a nuestro Servicio de Atención al Cliente de las circunstancias.
7. Esta garantía está sujeta a las leyes del país en el que se adquiriera el producto de Sunrise Medical"

* Se refiere al centro de Sunrise Medical donde se ha adquirido el producto.

4.0 Utilización

Ejes de desmontaje rápido de las ruedas traseras

Las ruedas traseras están equipadas con ejes de desmontaje rápido.

Así las ruedas pueden montarse y desmontarse sin necesidad de ninguna herramienta.

Para desmontar la rueda, simplemente presione el botón del eje (1) y tire de la rueda hacia fuera (Fig. 3).

¡PRECAUCIÓN!

Para montar las ruedas traseras, mantenga presionado el botón del eje de desmontaje rápido mientras inserta el eje en la estructura.

Suelte el botón para que la rueda quede fijada. El botón debe volver a su posición original al soltarlo.

Transporte de la silla de ruedas

Para hacer la silla lo más compacta posible, retire las ruedas traseras.

El respaldo puede doblarse tirando del cordón situado en el respaldo.

Para mover la silla sin ocupante, debe levantar la silla de ruedas plegada sujetando la parte delantera de la tapicería y las empuñaduras.

Al transportar la silla desocupada en un vehículo (sin usuario), debe atarla o amarrarla correctamente.

5.0 Opciones

Tubos de cola

Los tubos de cola son para ayudar al acompañante a superar obstáculos con la silla. Simplemente basta con pararse sobre el tubo para empujar una silla de ruedas, por ejemplo, si se desea subir un bordillo o un escalón, (Fig. 5.1).

Frenos

¡PRECAUCIÓN!

La potencia de los frenos puede verse afectada debido a la colocación y ajuste incorrectos, así como a la presión demasiado baja de los neumáticos.

Frenos

Su silla de ruedas dispone de dos frenos que se aplican directamente sobre las ruedas. Para accionarlos, presione las dos palancas de los frenos hacia delante hasta su tope. Para quitarlos, tire de las palancas hacia atrás hasta su posición inicial.

La eficacia del frenado puede verse disminuida por:

- Cubiertas desgastadas
- Neumáticos poco inflados
- Cubiertas mojadas
- Frenos mal ajustados.

Los frenos no han sido diseñados para detener de golpe o reducir la velocidad de la silla. Por lo tanto no deben usarse nunca para frenar una silla en movimiento. Utilice siempre los aros de empuje para reducir la velocidad. Asegúrese de que la distancia entre los frenos y la rueda es la indicada en las especificaciones dadas. Para reajustarlos, suelte el tornillo (1) y coloque el freno a la posición correcta. Vuelva a apretar los tornillos (ver sección Presión). (Fig. 5.2).

Freno estándar

(Fig. 5.3)

Fig. 4.0

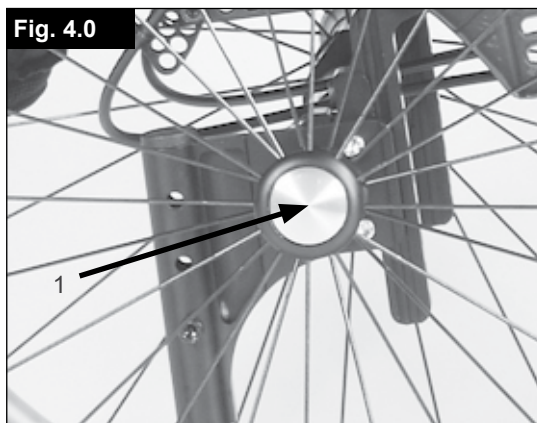


Fig. 5.1



Fig. 5.2



Fig. 5.3



Freno compacto

Los frenos compactos se encuentran ubicados debajo de la tapicería del asiento y se activan tirando de los frenos hacia atrás, en la dirección del neumático. Para que los frenos funcionen correctamente, deben tirar de ellos hasta que hagan tope (Fig. 5.4).

⚠ ¡PRECAUCIÓN!

- Montar el freno demasiado cerca de la rueda puede provocar una mayor dificultad para activar el freno. Además, ¡la extensión de la palanca de freno podría romperse!
- No debe aflojar ni reajustar los tornillos de fijación de los frenos.

Freno Safari (freno integrado en los protectores laterales):

El freno Safari se opera empujando la palanca hacia adelante (en sentido contrario del cuerpo del paciente).

Para liberar el freno, tire de la palanca hacia atrás (Fig. 5.5).

Extensión de freno

Cuanto más larga es la palanca de freno, menor es el esfuerzo necesario para accionar los frenos.

La extensión de la palanca de freno está atornillada a los frenos.

Al levantarla, quitará el freno y la silla podrá desplazarse (Fig. 5.6).

⚠ ¡PRECAUCIÓN!

Montar el freno demasiado cerca de la rueda puede provocar una mayor dificultad para activar el freno. Por lo que la palanca del freno puede incluso llegar a romperse.

Ajuste de la plataforma del reposapiés

⚠ ¡PRECAUCIÓN!

- ¡No se ponga de pie sobre la plataforma del reposapiés! Aun si el usuario está sentado en la silla, corre el riesgo de volcar y provocar lesiones.
- Cuando esté acomodándose o saliendo de la silla, no se pare sobre la plataforma del reposapiés; corre el riesgo de volcar y provocar lesiones.

Ajuste del reposapiés

Si quita el tornillo (1), podrá ajustar la plataforma en función de su longitud de pierna. Una vez hecho esto, vuelva a montar el reposapiés. Puede regular el ángulo de la plataforma de manera individual (no en los reposapiés con barra) aflojando los tornillos (2). El soporte lateral impide que los pies resbalen involuntariamente fuera de la plataforma. Después de cualquier modificación, compruebe que todos los tornillos estén ajustados correctamente (consulte la sección Presión) (Fig. 5.7).

Reposapiés abatible:

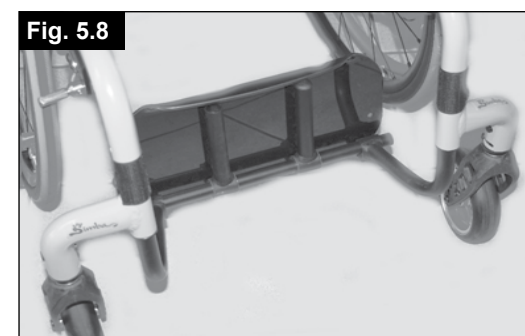
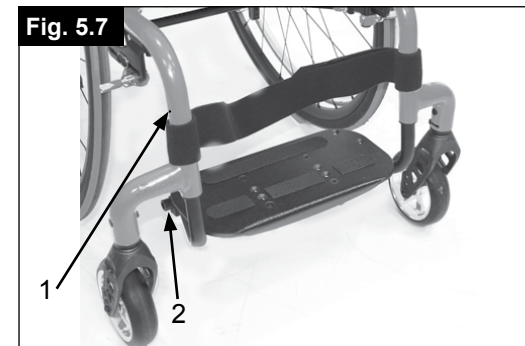
Puede abatir la plataforma del reposapiés hacia atrás para facilitar el traslado del paciente desde o hacia la silla. La plataforma se abate elevando la parte delantera. Para volver a colocar el reposapiés en su posición original, debe empujar la sección delantera hacia abajo (Fig. 5.8).

Reposapiés de montaje alto:

El reposapiés de montaje alto está instalado en la parte interna del armazón y permite colocar la plataforma en una posición más elevada (Fig. 5.9).

⚠ ¡PRECAUCIÓN!

Los tornillos y los pernos utilizados en esta silla de ruedas contienen un agente líquido de aseguramiento aplicado en la fábrica. Después de ese período, deberá reemplazarlos o, si lo prefiere, volver a aplicar el líquido fijador para media tensión.



Rueda delantera

Rueda delantera, adaptador, horquilla

Si, con el tiempo, su silla se va ligeramente hacia la derecha o hacia la izquierda, las causas pueden ser:

- El juego de la rueda delantera no ha sido ajustado correctamente.
- El ángulo de la rueda delantera no ha sido ajustado correctamente.
- La presión de la rueda delantera y/o trasera no es correcta; las ruedas no giran de manera fluida.

La silla de ruedas no avanzará en línea recta si las ruedas delanteras no están correctamente ajustadas.

El ajuste de las ruedas debería ser siempre realizado por un distribuidor autorizado. Las ruedas delanteras y los frenos deben reajustarse cada vez que se modifique la posición de las ruedas traseras.

Ajuste de la rueda delantera

Para asegurarse de que ambas horquillas estén paralelas, basta con contar los dientes que están visibles a ambos lados. Tras ajustar la horquilla de la rueda delantera, los dientes se encargarán de sujetarla en su sitio, permitiendo un ajuste total de 16°, en incrementos de 2°. Utilice el lado plano para comprobar que forme un ángulo recto con el suelo.

El diseño patentado permite girar la horquilla de la rueda delantera, de modo que pueda reajustarse hasta formar un ángulo recto con el suelo tras alterar el ángulo del asiento (Fig. 5.10 + 5.11).

Ajuste de la estabilidad direccional

Afloje los tornillos Allen (1) del lado inferior de la horquilla. Retire el tornillo (2).

Ahora puede girar la pieza negra (3) hacia la izquierda o la derecha.

Izquierda: la silla gira hacia la izquierda

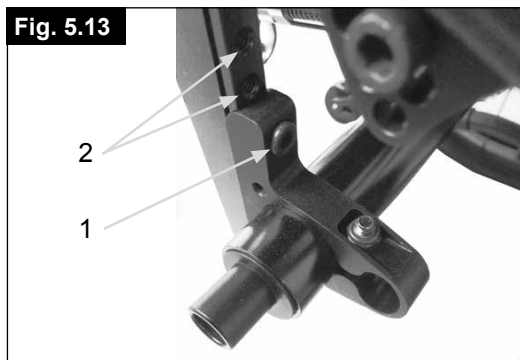
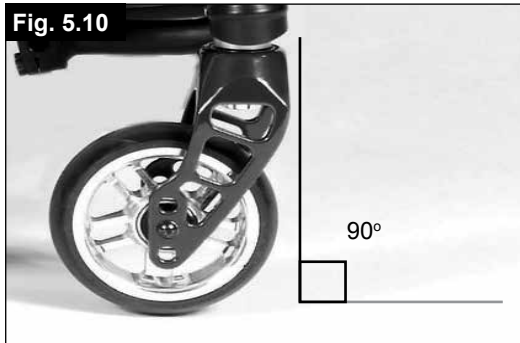
Derecha: la silla gira hacia la derecha

Vuelva a ajustar los tornillos (2). Posicione la horquilla en ángulo recto con respecto al suelo.

Vuelva a ajustar el tornillo (1). (Fig. 4.16).

PRECAUCIÓN!

Los tornillos y los pernos utilizados en esta silla de ruedas contienen un agente líquido de aseguramiento aplicado en la fábrica. Después de ese período, deberá reemplazarlos o, si lo prefiere, volver a aplicar el líquido fijador para media tensión.



Asiento

Ajuste de la altura del asiento

Para ajustar la altura trasera del asiento, suelte y retire el tornillo Allen (1) (uno en cada lado), que fija la abrazadera (2) a la pletina del eje. Desplace las dos abrazaderas de los tubos del camber (2) a la altura deseada, y vuelva a apretar los dos tornillos Allen. Antes de apretar los tornillos, siga las instrucciones para tornillos a cero la punta hacia dentro/afuera.

Apriete los tornillos a 10 Nm. (Fig. 5.13)

PRECAUCIÓN!

- Puede que haya que ajustar el ángulo de la rueda delantera al ajustar la altura trasera del asiento.
- Los tornillos y los pernos utilizados en esta silla de ruedas contienen un agente líquido de aseguramiento aplicado en la fábrica. Después de ese período, deberá reemplazarlos o, si lo prefiere, volver a aplicar el líquido fijador para media tensión.

Alineación de las ruedas

Ajuste de la alineación de las ruedas

Importante: A fin de lograr el mejor movimiento, debe ajustar la alineación de las ruedas para conseguir su posición óptima.

Para ello, mida la distancia entre las partes traseras y partes delanteras de ambas ruedas, asegurando que están paralelas entre sí. La diferencia entre ambas distancias no debe ser superior a 5 mm.

Para ajustar las ruedas de forma que queden paralelas, afloje los tornillos y gire el casquillo del eje consecuentemente. Una vez finalizado el ajuste, compruebe que todos los tornillos estén ajustados correctamente (consulte la sección Presión).

Ajuste del ángulo de las ruedas traseras

Ajuste del ángulo de inclinación a cero:

NOTA: En sillas de ruedas con 0° de camber, no es posible angular las ruedas ni hacia dentro ni hacia fuera. Este ajuste es posible tan sólo con camber 3, 6 y 9° .

El ajuste en ángulo de las ruedas refleja en que grado están las ruedas traseras alineadas con respecto al suelo. Este factor determinará la agilidad de la silla. Con 0° de camber, la resistencia al rodar será normal.

Para un ajuste a 0° del camber: Afloje los tornillos Allen (1) (uno a cada lado), que sujetan la abrazadera del tubo del camber. Compruebe la bola en el plano horizontal (2) y gire el tubo del camber (3) hasta que la bola quede en el centro. Ahora el ángulo será 0° .

Antes de apretar los tornillos (1), compruebe que el tubo del camber esté centrado de izquierda a derecha. El hueco resultante deberá ser inexistente o igual en ambos lados. Apriete los tornillos a 10 Nm (Fig. 5.14 - 5.16).

Fig. 5.14

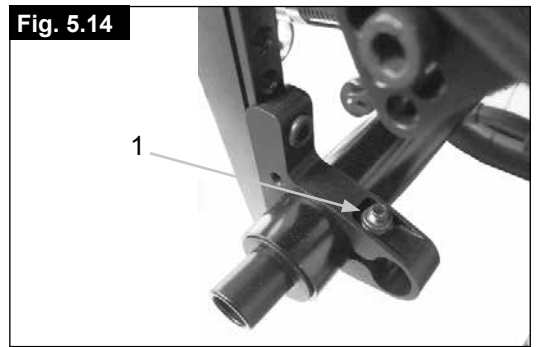


Fig. 5.15

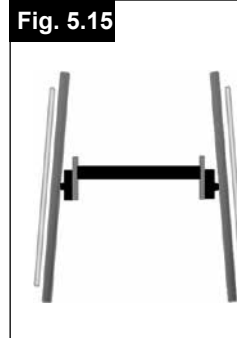
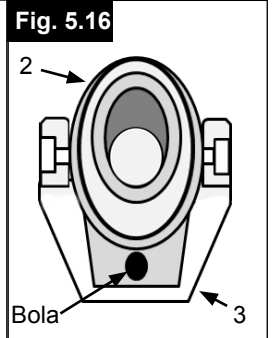


Fig. 5.16



Ajuste de la distancia entre los ejes

¡PRECAUCIÓN!

Al ajustar la distancia trasera entre los ejes, ajuste primero una rueda, y después la otra. Si se aflojan ambos lados a la vez, se verá alterado el ángulo de inclinación de las ruedas. Para ajustar la distancia entre los ejes, la pieza del camber (4) se desplaza a través del tubo del camber (5), quedando ajustada en su sitio cuando llega al tope. Afloje el tornillo (6) (el que está más cercano al tubo del camber) del lado izquierdo de la silla.

Mueva el eje de desmontaje rápido hacia dentro o hacia fuera hasta alcanzar la distancia deseada entre los ejes. Apriete los tornillos a 10 Nm. Repita este procedimiento con el lado derecho de la silla, y ajuste el hueco de manera que sea igual en la derecha que en la izquierda (Fig. 5.17).

¡PRECAUCIÓN!

Los tornillos y los pernos utilizados en esta silla de ruedas contienen un agente líquido de aseguramiento aplicado en la fábrica. Después de ese período, deberá reemplazarlos o, si lo prefiere, volver a aplicar el líquido fijador para media tensión.

Fig. 5.17



Respaldo

Respaldo ajustable en ángulo

El ángulo del respaldo se modifica alterando la posición de la pieza de montaje del respaldo. Afloje y extraiga los tornillos (1) de ambos lados. Ahora, ajuste la pieza de montaje del respaldo hasta lograr el ángulo deseado. Luego, vuelva a ajustar y fijar los tornillos (1) (Fig. 5.18)



PRECAUCIÓN!

Debe volver a ajustar los tornillos. De lo contrario, perderá el ajuste del ángulo.

Respaldo plegable

Libere el respaldo tirando del cordón y empújelo hacia adelante para plegarlo. Para volver a colocar el respaldo en su posición original, tírelo hacia atrás al máximo posible, hasta que quede fijado en ambos lados.



PELIGRO!

Si tira demasiado del respaldo hacia atrás, con los frenos accionados, el usuario podría caer de espaldas. Por lo tanto, asegúrese de que ambos lados del respaldo quedan bien fijados en posición.



ADVERTENCIA!

Al plegar el respaldo, evite el atrapamiento de los dedos.

Respaldo en posición de descanso

Puede adoptar una posición de descanso con un ángulo de respaldo de 10°. Tire del cordón ubicado en el respaldo para liberarlo, y tire hacia atrás hasta que ambos tubos queden fijados.



ADVERTENCIA!

Si tira demasiado del respaldo hacia atrás, con los frenos accionados, el usuario podría caer de espaldas. Por lo tanto, asegúrese de que ambos lados del respaldo quedan bien fijados en posición.



ADVERTENCIA!

Al plegar el respaldo, evite el atrapamiento de los dedos.

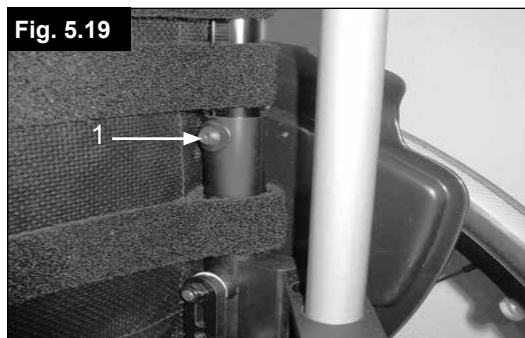
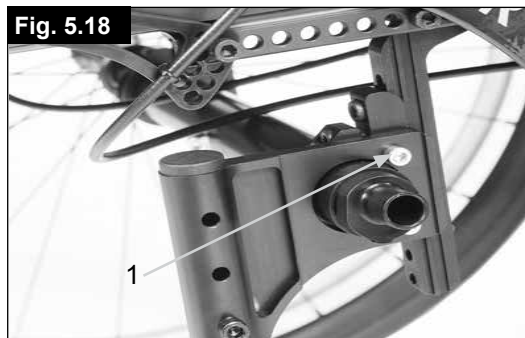
Tapicería ajustable del respaldo

La tensión de la tapicería del respaldo ajustable puede ajustarse mediante el uso de varias correas. Se puede acceder a la tapicería del respaldo a través de una abertura, y así almohadillarse a gusto de cada persona.

Respaldo ajustable en altura

La altura del respaldo puede ser ajustada en varias posiciones, de 2,5 cm en 2,5 cm.

Los tramos de ajuste son los siguientes (20 a 25 cm, 25 a 30 cm, 30 a 35 cm y 35 a 40 cm). Afloje el tornillo (1) y coloque el respaldo a la altura deseada. Vuelva a apretar los tornillos (ver sección Presión) (Fig. 5.19).



Protector lateral

Los protectores laterales de la silla SIMBA están diseñados principalmente para suministrarse con los nuevos frenos integrados en los protectores. En el caso de que usted no haya solicitado los frenos integrados en los protectores, los orificios le serán cubiertos, (Fig. 5.20).



Si utiliza protectores laterales sin las cubiertas, corre el riesgo de sufrir lesiones. Si no está instalado el freno integrado en los protectores, los espacios tienen que estar cubiertos.

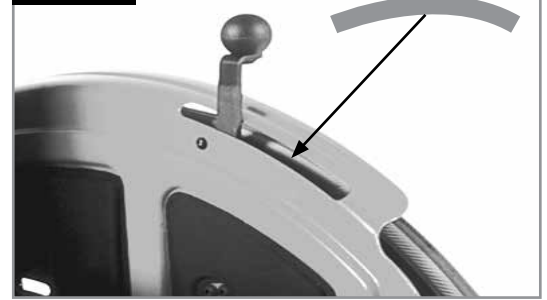
Reposabrazos

El reposabrazos está atornillado sobre el protector lateral. La altura del reposabrazos puede ser modificada.

Mesa

La mesa solo puede utilizarse en combinación con el reposabrazos. Se instala en uno de los reposabrazos y se coloca sobre ambos.

Fig. 5.20



Empuñadura



Nunca levante una silla de ruedas cuando hay un ocupante en ella; en ese caso, solo empujela.

Empuñaduras ajustables en altura

Estas empuñaduras tienen una clavija de seguridad para evitar que se salgan accidentalmente. Soltando la manivela (1) la altura de las empuñaduras (2) se puede ajustar según la necesidad de cada persona. Al mover la palanca, se oye un mecanismo de bloqueo; ahora puede ubicar la empuñadura en la posición deseada.

La tuerca determina la fuerza a la que se bloquea la posición de la empuñadura. Si la tuerca está floja después de haber ajustado la manivela, la empuñadura también estará muy floja. Mueva la empuñadura de un lado a otro para asegurarse de que está anclada en posición firmemente. Después de ajustar la altura de la empuñadura, bloquee la palanca (1) en una posición segura. Si la palanca no está segura, puede haber accidentes al subir escaleras (Fig. 5.21 + 5.21.1).



Si las empuñaduras ajustables en altura no están instaladas correctamente, corre el riesgo de que tengan "juego" o que se desplacen de la ubicación deseada. Compruebe que los tornillos estén ajustados de manera correcta.

Fig. 5.21



Fig. 5.21.1

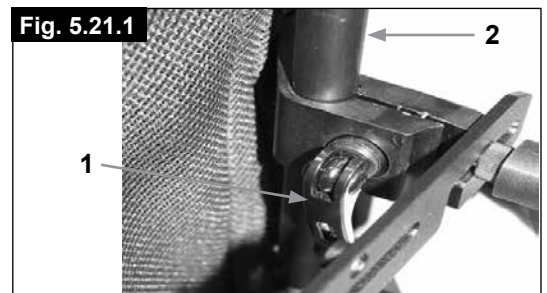
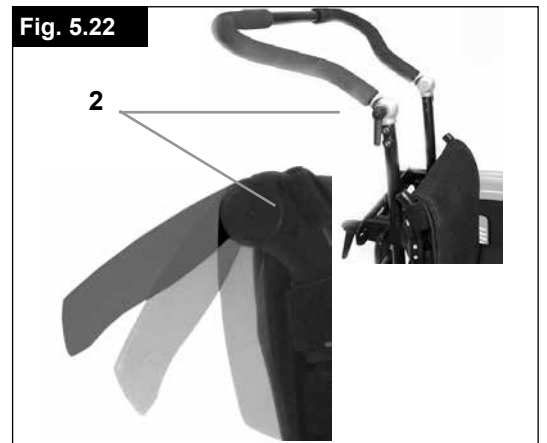


Fig. 5.22



Pliegue las el empuje las empuñaduras

Si no va a utilizar las empuñaduras, puede plegarlas hacia abajo aflojando las palancas (2). Cuando las necesite de nuevo, simplemente súbalas de nuevo hasta que encajen en su sitio y apriete las palancas (Fig. 5.22).

Ruedas anti-vuelco

Sunrise Medical recomienda el uso de ruedas antivuelco en todas las sillas. Para instalar las ruedas anti-vuelco, utilice un par de 16 Nm (Fig. 5.23)

1. Inserte los tubos de las ruedas anti-vuelco en la abrazadera:

- Presione el botón trasero del tubo anti-vuelco contra el adaptador del tubo, de tal forma que ambos pasadores de seguridad estén metidos hacia dentro.
- Introduzca los tubos (1) en su adaptador.
- Gire los tubos anti vuelco hacia abajo hasta que los pasadores de seguridad queden ajustados en la abrazadera.
- Instale la segunda rueda antivuelco de la misma manera.

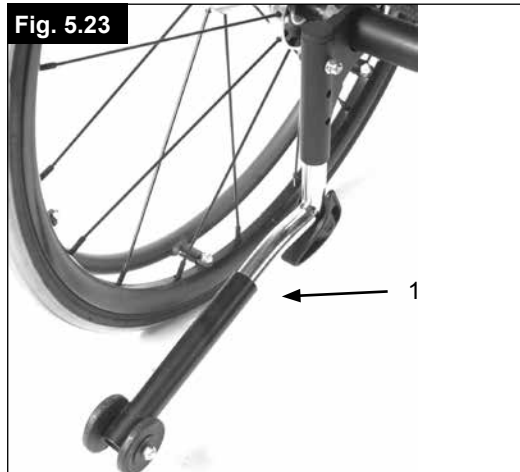
2. Ajuste de las ruedas antivuelco:

Las ruedas antivuelco deben bajarse o subirse hasta conseguir la separación correcta del suelo, que es de aproximadamente 2,5 - 5 cm (1 - 2")

- Apriete el botón de desmontaje de las ruedas antivuelco de modo que ambos pasadores de seguridad queden metidos hacia dentro.
- Mueva el tubo interior hacia arriba o hacia abajo para meterlo en los orificios provistos.
- Suelte el botón.
- Instale la segunda rueda antivuelco de la misma manera.
- Ambas ruedas deberán estar a la misma altura.



Si no dispone de ruedas antivuelco instaladas, o si estas no han sido instaladas correctamente, corre el riesgo de volcar o lesionarse.



Asiento

Tapicería del asiento:

Retire los tornillos del lado izquierdo de la tapicería.

Ajuste el Velcro® para aumentar la tensión. Vuelva a apretar los tornillos.

Si resulta difícil volver a ajustar los tornillos en su sitio, localice los agujeros con un objeto punzante. Asegúrese también de que la base de plástico esté en la posición correcta antes de volver a apretar los tornillos, (5.24).

Aumento de la anchura y la profundidad de asiento

Aumento de la anchura del asiento:

Puede ampliar la anchura del asiento hasta 2 cm sin necesidad de añadir piezas complementarias:

- Debe aflojar los tornillos del reposapiés y el eje, además de las dos barras rigidizadoras del respaldo y bajo el asiento.
- Debe extender los tubos telescópicos del reposapiés, barras rigidizadoras y el tubo del eje, para adaptar dichas piezas a la nueva anchura del asiento. Debe volver a ajustar los tornillos.
- Afloje la tira de velcro de las tapicerías del respaldo y del asiento, y fíjelas en la siguiente anchura de asiento.

Aumento de la profundidad del asiento:

Puede ampliar la profundidad del asiento hasta 4 cm sin necesidad de añadir piezas adicionales:

Afloje y extraiga los tornillos (A - Fig. 5.25), en ambos lados de la unidad de asiento y desplace el conjunto entero, incluyendo los tubos del respaldo, hasta adoptar la posición deseada.

Vuelva a colocar los tornillos "A" y ajústelos.

Fig. 5.25

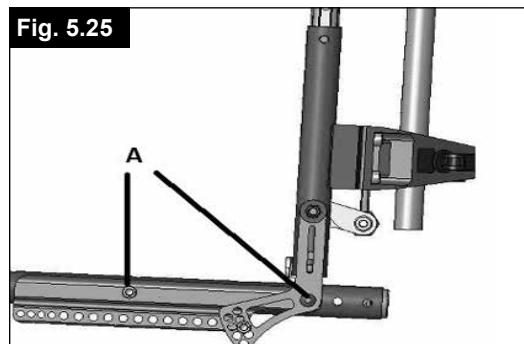


Fig. 5.26



Fig. 5.27



Soporte de bastones

Soporte de bastones

Este dispositivo permite transportar los bastones directamente en la propia silla de ruedas. Tiene una cinta de Velcro (1) para sujetar los bastones o cualquier otra ayuda, (5.26).



No trate nunca de utilizar o mover el bastón mientras esté en movimiento.

Cubiertas y montaje

Las ruedas macizas son estándar, (5.27).



Si va a colocar ruedas neumáticas:

Con ruedas neumáticas, asegúrese siempre de que las cubiertas tengan la presión correcta, ya que esto puede influir en el desempeño correcto de la silla. Si la presión de las cubiertas es muy baja, aumentará la resistencia al rodar, por lo que se necesitará de mayor esfuerzo para impulsar la silla hacia delante. También perjudica la maniobrabilidad. Si la presión es muy alta, la cubierta podría estallar. La presión correcta aparece impresa en la misma superficie de la cubierta.

Las cubiertas se montan igual que las cubiertas de una bicicleta. Antes de instalar la cámara, debe asegurarse siempre de que la base de la llanta y el interior de la cubierta están libres de objetos extraños. Compruebe la presión después de instalar o reparar la cubierta. Es vital para su seguridad y para la correcta utilización de la silla mantener la presión correcta y las cubiertas en buen estado.

6.0 Cinturón de seguridad (Soporte antero-lateral)

⚠ ¡PELIGRO!

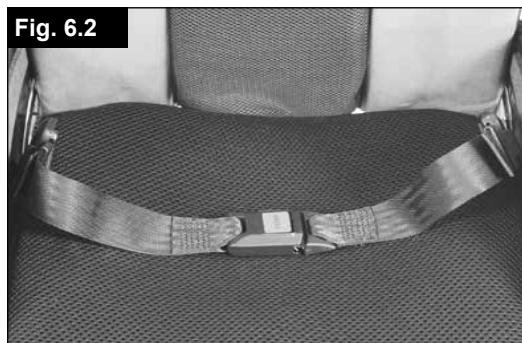
Antes de usar la silla de ruedas recuerde usar el cinturón de seguridad pélvico.

El cinturón de seguridad debe revisarse a diario para comprobar que no presente signos de desgaste ni obstrucciones. Compruebe siempre que el cinturón de posicionamiento esté correctamente asegurado y ajustado antes de usarlo. Si la correa está muy floja, el usuario podría resbalar y correr el riesgo de asfixia o sufrir una lesión severa.

El cinturón de seguridad está instalado en la silla de ruedas tal como se muestra en las ilustraciones. El cinturón de seguridad consta de dos mitades. Ambas partes se colocan pasando el pasador de retención del asiento a través del ojal del cinturón. El cinturón pasa por debajo de la parte trasera del panel lateral, (1). (Fig. 6.1)

Ajuste la posición del cinturón de manera que las hebillas queden en la parte central del asiento. (Fig. 6.2).

Si desea instalar un cinturón de seguridad, póngase en contacto con su distribuidor autorizado de Sunrise Medical.



Ajuste el cinturón de seguridad según las necesidades del usuario, tal como se indica a continuación:

Para reducir el largo del cinturón	Para aumentar la longitud del cinturón
<p>Deslice de nuevo la correa a través de la pieza de regulación de la hebilla macho. Asegúrese de que la correa no presenta ningún doblez en la hebilla macho.</p>	<p>Deslice la correa a través de la pieza de regulación de la hebilla macho a fin de aumentar la longitud del cinturón.</p>



Al ajustar, compruebe el espacio que queda entre el cinturón pélvico y el usuario. Un cinturón correctamente ajustado no deja insertar más que la mano plana entre el cinturón de seguridad y el usuario. (Fig. 6.3).

El cinturón de seguridad debe estar instalado de manera tal que las correas queden ubicadas en un ángulo aproximado de 45 grados por encima de la pelvis del usuario. El usuario debe estar incorporado y ubicado lo más atrás posible en el asiento cuando el cinturón está ajustado de manera correcta. El cinturón de seguridad debe impedir que el usuario resbale hacia abajo por el asiento.

(Fig. 6.4)

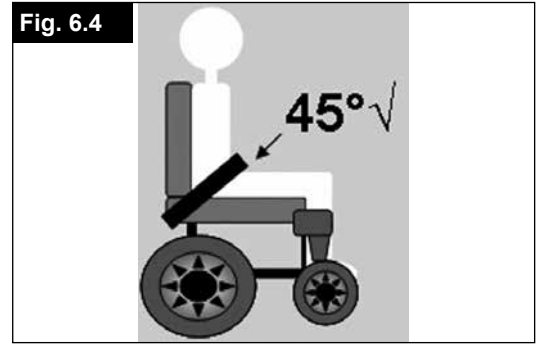


Fig. 6.4

<p>Para abrochar la hebilla: Empuje firmemente la hebilla macho dentro de la hebilla hembra.</p>	<p>Para liberar la hebilla: Presione las alas de la hebilla macho y empújelas hacia el centro mientras tira con suavidad.</p>

⚠️ ¡ADVERTENCIA!

- Si tiene dudas acerca del uso y funcionamiento del cinturón de seguridad, solicite ayuda al profesional sanitario, distribuidor autorizado de sillas de ruedas, cuidador o asistente.
- El cinturón de seguridad debe ser instalado solamente por un distribuidor autorizado de Sunrise Medical.
- El cinturón de seguridad debe ser ajustado solamente por un profesional, o bien por un distribuidor autorizado de Sunrise Medical.
- El cinturón de seguridad de falda debe revisarse a diario para comprobar que esté correctamente ajustado y no presente signos de desgaste ni obstrucciones.
- Sunrise Medical no recomienda el transporte de personas en vehículos utilizando este cinturón de seguridad como método de sujeción.



Consulte el manual de tránsito de Sunrise Medical a fin de obtener más información sobre el transporte.

Mantenimiento:

Revise el cinturón de seguridad y los componentes de sujeción con regularidad para comprobar que no haya signos de desgaste ni daños. Cámbielo si es necesario.

⚠️ ¡ADVERTENCIA!

El cinturón de seguridad debe ajustarse según las necesidades del usuario final, tal como se detalla anteriormente. Sunrise Medical recomienda verificar la extensión y ajuste del cinturón de manera regular a fin de evitar que se haya alargado demasiado inconscientemente durante su uso continuado.

7.0 Posibles problemas

La silla de ruedas se desliza hacia un lado

- Compruebe la presión de los neumáticos
- Compruebe que las ruedas giran libremente (rodamientos, ejes, etc.)
- Compruebe el ángulo de las ruedas delanteras.
- Compruebe que ambas ruedas delanteras se apoyan en el suelo

Las ruedas delanteras oscilan

- Compruebe el ángulo de las ruedas delanteras.
- Compruebe que todos los tornillos están seguros; ajústelos de ser necesario (ver sección Presión).
- Compruebe que ambas ruedas delanteras se apoyan en el suelo

La silla de ruedas o la cruceta del armazón no quedan en posición correcta en el asiento

- La silla todavía es muy nueva; es decir, la tapicería del asiento o del respaldo aún está demasiado rígida. Este factor mejorará con el tiempo.

Cuesta plegar la silla de ruedas

- La tapicería del respaldo está demasiado rígida. Aflójela de ser necesario.

La silla de ruedas se mueve y cruje

- Compruebe que todos los tornillos están seguros; ajústelos de ser necesario (ver sección Presión).
- Lubrique los puntos donde las partes móviles rozan con otras

La silla de ruedas oscila

- Compruebe el ángulo de las ruedas delanteras
- Compruebe la presión de los neumáticos
- Compruebe si las ruedas traseras están ajustadas de manera diferente.

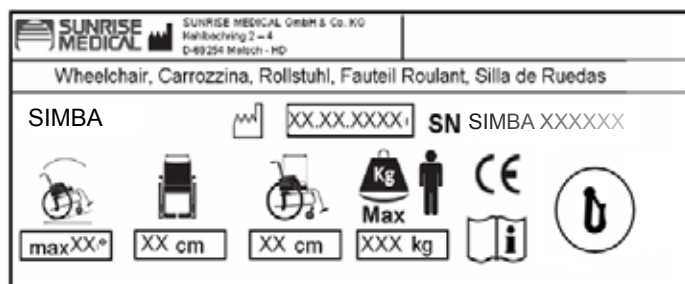
8.0 Placa de Identificación

Placa de Identificación

La placa de identificación del modelo está situada en la parte superior de la cruceta, y también en una etiqueta en el manual del usuario. La placa de identificación indica la designación exacta del modelo, además de otros datos técnicos. Al solicitar repuestos, o en caso de reclamos, indique los siguientes datos:

- Número de serie
- Número de pedido
- Mes / Año

EJEMPLO



	SIMBA XXXXX-XXX	Nombre del producto, número de referencia (SKU)
		La pendiente máxima segura con ruedas anti vuelco depende de la configuración de la silla de ruedas, la postura y las capacidades físicas del usuario.
		Símbolo del fabricante
		Ancho del asiento.
		Profundidad (máximo).
		Carga máxima.
		Marca CE
		Manual de usuario.
		Crash Test (evaluado según Prueba de colisión).
	XX.XX.XXXX	Fecha de fabricación.
	SN Simba XXXXXX	Número de serie.

9.0 Mantenimiento y cuidado

Inspección de seguridad

El usuario será el primero en notar cualquier posible defecto. Por lo tanto, recomendamos llevar a cabo las verificaciones siguientes cada vez que vaya a usar el producto:

- Que la presión de los neumáticos sea la correcta.
- Que los frenos funcionen correctamente
- Que todos los componentes extraíbles estén correctamente instalados (p. ej., reposabrazos, hangers, ejes de desmontaje rápido, etc.).
- En caso de detectar daños o defectos, tenga a bien contactar con su representante autorizado.

Mantenimiento

- Verifique con regularidad la presión de los neumáticos.
- Verifique con regularidad (al menos una vez al año) si los neumáticos están desgastados o dañados. Cambie los neumáticos no bien detecte signos de desgaste o daño.
- Verifique con regularidad (al menos una vez al año) si las tapicerías del respaldo y asiento presentan daños o desgaste. Cambie estas piezas no bien detecte signos de desgaste o daño.
- Verifique con regularidad (al menos una vez al año) si los componentes del armazón general y del respaldo presentan daños o desgaste. Cambie estas piezas no bien detecte signos de desgaste o daño.
- Verifique con regularidad (al menos una vez al año) si los frenos están desgastados o dañados. Compruebe que funcionen correctamente y puedan usarse con facilidad. Cambie los frenos no bien detecte signos de desgaste o daño.
- Compruebe con regularidad (al menos una vez al año) que todos los tornillos están seguros (ver sección sobre Presión). Todos los tornillos que son fundamentales para un uso seguro de la silla de ruedas llevan tuercas de seguridad. Las tuercas de seguridad deberían ser utilizadas solamente una vez, y ser reemplazadas después de muchos usos.
- Aplique una pequeña cantidad de aceite sobre los ejes de desmontaje rápido cada 8 semanas. Dependiendo de la frecuencia y el tipo de uso, se recomienda que lleve la silla de ruedas al distribuidor autorizado cada seis meses para llevar a cabo una inspección por parte de personal entrenado para tales fines.
- Guarde siempre la silla de ruedas en un sitio seco.

Si desea almacenar la silla de ruedas durante un largo período de tiempo, no necesitará más medidas. Asegúrese de que la silla quede almacenada a temperatura ambiente en un lugar seco y protegido de la luz solar intensa. Antes de volver a usarla, haga revisar la silla de ruedas por un distribuidor autorizado.

¡PRECAUCIÓN!

- Si cuenta con las medidas de torsión, recomendamos encarecidamente que utilice un dispositivo medidor para comprobar que el ajuste a la medida de torsión sea correcto.
- Utilice solo piezas originales aprobadas por Sunrise Medical. No use piezas de otros fabricantes, que Sunrise Medical no haya autorizado.
- Use únicamente detergentes suaves para limpiar su silla. Utilice solo jabón y agua para limpiar la tapicería del asiento y el cinturón de falda.
- Teniendo en cuenta la frecuencia y el tipo de uso de la silla, es recomendable que lleve la silla de ruedas a un distribuidor autorizado con regularidad (al menos una vez al año) para que personal autorizado lleve a cabo una inspección general y las tareas de mantenimiento necesarias.

¡PRECAUCIÓN!

- La arena, la sal y el agua del mar pueden afectar los cojinetes delanteros de las ruedas delanteras y traseras. Limpie y seque la silla de ruedas con cuidado tras haberla expuesto a estos elementos.
- Si su silla se moja, séquela inmediatamente después de utilizarla.

Las siguientes piezas pueden extraerse y enviarse al fabricante o distribuidor para ser reparadas:

- Ruedas traseras
- Reposabrazos
- Reposapiés
- Ruedas anti-vuelco

Higiene al reiterar el uso:

Antes de volver a dar uso a la silla, debe prepararla con cuidado. Todas las superficies que entran en contacto con el usuario deben ser tratadas con un espray desinfectante.

Para ello, debe usar un desinfectante de la lista publicada por el DGHM; por ejemplo, Antifect Liquid (de Schülke & Mayr) para una desinfección rápida a base de alcohol para productos y aparatología médica que requieren desinfección rápida. Lea atentamente las instrucciones del fabricante del desinfectante que vaya a usar.

Por lo general, no se puede garantizar una desinfección completa en las costuras o juntas. Recomendamos por lo tanto que deseche las tapicerías del asiento y del respaldo para evitar contaminación microbacteriana con agentes activos, según la ley de prevención de infecciones § 6.

10.0 Datos técnicos

Máx. Altura total:	1000 mm
Máx. Largo total:	850 mm
Máx. Radio de giro:	650 mm
Máx. pendiente segura:	10°
Peso:	desde 9 kg
Peso sin ruedas traseras:	desde 6,9 kg
Peso de la parte más pesada:	2,1 kg

Máx. Anchura:

CAMBERS O INCLINACIÓN	RUEDA TRASERA DE 20"	RUEDA TRASERA DE 22"	RUEDA TRASERA DE 24"
Cámbler 0°	AA + 160 mm	AA + 160 mm	AA + 160 mm
Cámbler 3°	AA + 200 mm	AA + 210 mm	AA + 220 mm
Cámbler 6°	AA + 260 mm	AA + 270 mm	AA + 280 mm
Cámbler 9°	AA + 310 mm	AA + 320 mm	AA + 330 mm

Carga máxima:

SIMBA soporta una carga de hasta 65 kg

Alturas de asiento:

Las diferentes posibilidades de armazón, horquilla y ruedas delanteras, como también el tamaño de las ruedas traseras (20, 22, 24 pulg.) determinan las diferentes alturas del asiento que se pueden lograr.

La silla de ruedas responde a las siguientes normativas:

1. Requisitos y pruebas de resistencia estática, resistencia al impacto y a la fatiga (ISO 7176-8).
2. Resistencia a la ignición (EN 1021-2).

11.0 Deshecho / reciclaje de los materiales

Si esta silla le fue prestada, es posible que no le pertenezca. Si ya no la necesita, siga las instrucciones de la institución que proporcionó la silla de ruedas para devolvérsela. La sección que sigue describe los materiales utilizados en la silla de ruedas para disponer de ellos o reciclarlos junto con su embalaje.

Es posible que existan reglamentaciones especiales a nivel local con respecto a la disposición o reciclaje, y deberán ser tenidas en cuenta a la hora de desechar los materiales. (Estas reglas pueden incluir la limpieza o descontaminación de la silla previamente a su disposición).

Aluminio: Ruedas delanteras, ruedas, protectores laterales del chasis, reposabrazos, plataforma reposapiés, empuñaduras,

Acero: Puntos de fijación, eje de desmontaje rápido.

Plástico: Fundas de empuñadura, tapones para los extremos de tubos, ruedas delanteras, plataformas reposapiés, almohadillas para brazos y ruedas/neumáticos de 12".

Embalaje: Bolsas plásticas de polietileno blando, cartón.

Tapicería: Trama de poliéster con cobertura de PVC y espuma expandida de combustión modificada.

El descarte o reciclaje debe ser llevado a cabo por un agente o sitio autorizado de desechos. En algunos países, el distribuidor autorizado puede llegar a contemplar la posibilidad de encargarse del desecho de la silla de ruedas.



Prefácio

Caro Cliente,

Estamos satisfeitos por ter decidido comprar um produto de elevada qualidade da SUNRISE MEDICAL.

Este Manual do Utilizador contém várias sugestões e ideias para que a sua cadeira de rodas seja um parceiro de confiança e fiável na sua vida.

A Sunrise Medical considera bastante importante manter uma relação forte com os clientes. Assim, gostaríamos de o manter atualizado quanto às nossas criações atuais e mais recentes. Manter a proximidade com os nossos clientes significa: serviço mais rápido, com o mínimo de burocracia, colaborando com os clientes. Quando precisar de peças de substituição ou acessórios, ou se tiver qualquer dúvida em relação à cadeira de rodas – estamos cá para si.

Queremos que fique satisfeito com os nossos produtos e serviços. Na Sunrise Medical trabalhamos constantemente para desenvolver ainda mais os nossos produtos. Por esta razão, podem ocorrer alterações nas nossas linhas de produtos no que diz respeito à forma, tecnologia e acessórios. Por conseguinte, não podem ser feitas reclamações com base nos dados e imagens contidas neste manual técnico.

O sistema de gestão da SUNRISE MEDICAL está certificado segundo EN ISO 9001, ISO 13485 e ISO 14001.



Como fabricante, a SUNRISE MEDICAL, declara que as cadeiras de rodas de liga leve respeitam a diretiva 93/42/EWG.

Contacte o nosso distribuidor local e autorizado SUNRISE MEDICAL se tiver questões sobre a utilização, manutenção ou segurança da sua cadeira de rodas.

No caso de não existir distribuidor autorizado na sua área ou se tiver quaisquer questões, pode contactar a Sunrise Medical por escrito ou por telefone.

Sunrise Medical
Polígono Bakiola, 41
48498 Arrankudiaga,
Vizcaya
Espanha
Telefone: 00 351 224 882 712
Fax: 00 351 224 880 063
www.sunrisemedical.pt

IMPORTANTE:



NÃO USE A SUA CADEIRA DE RODAS ANTES DE TER LIDO E COMPREENDIDO O MANUAL.

Utilização

As cadeiras de rodas destinam-se exclusivamente a utilizadores sem capacidades motoras ou com capacidades motoras diminuídas, para seu usufruto pessoal, quando sozinhos ou auxiliados por terceiros (empurrados por um assistente) em casa e no exterior.

O limite máximo de peso (inclui o utilizador e o peso de acessórios instalados na cadeira de rodas) está assinalado na etiqueta com o número de série, fixada na barra transversal ou barra estabilizadora sob o assento.

A garantia aplica-se apenas se o produto for usado nas condições especificadas e para os objetivos a que se destina. A vida útil estimada da cadeira de rodas é 5 anos. Não foram instaladas PEÇAS NÃO-PADRÃO, excepto aquelas oficialmente autorizadas pela Sunrise Medical.

Área de aplicação.

A variedade de opções assim como o desenho modular significam que pode ser usada por pessoas que não podem andar ou com mobilidade reduzida por causa de:

- Paralisia
- Perda de membros (amputação da perna)
- Problema nos membros inferiores
- Contratura das articulações/lesões nas articulações
- Doenças como deficiências cardíacas e circulatórias, distúrbios de equilíbrio ou caquexia assim como idosos que ainda tenham força no tronco.

Quando considerar uma provisão, tenha em conta o tamanho e peso do corpo, a constituição física e psicológica, a idade da pessoa, condições de vida e ambiente.

Índice

1.0 Notas gerais sobre segurança e restrições de condução	137
2.0 Transporte	140
3.0 Garantia	142
4.0 Manuseamento	143
5.0 Opções	143
Tubos de Apoio	143
Travões	143
Ajustamento do Apoio de Pés	144
Roda giratória	145
Assento	145
Alinhamento das Rodas	146
Encosto	147
Proteções Laterais	148
Pega para empurrar	148
Tubos Antiqueda	149
Assento	149
Aumento da largura e da altura do assento	150
Suporte da Canadiana	150
Pneus e Montagem	150
6.0 Suporte lateral anterior (Cinto pélvico)	151
7.0 Resolução de problemas	153
8.0 Placa de nome	153
9.0 Manutenção e Cuidado	154
10.0 Dados técnicos	155
11.0 Eliminação / Reciclagem de materiais	155





NOTA:

A cadeira de rodas representada e descrita neste manual pode não ser exatamente igual à sua. No entanto, todas as instruções são perfeitamente aplicáveis, independentemente dessas pequenas diferenças.

O fabricante reserva-se no direito de modificar, sem aviso prévio, os pesos, dimensões e outros dados indicados neste manual. Todos os valores, medidas e capacidades indicados neste manual são aproximados e não representam especificações.

Definições

3.1 Definições das palavras usadas neste manual

Palavra	Definição
 PERIGO!	Alertar o utilizador para um potencial risco de ferimentos graves ou fatais se o aviso não for respeitado
 AVISO!	Alerta o utilizador para um risco de lesão física se a sugestão não for respeitada
 CUIDADO!	Alertar o utilizador para os danos potenciais para o equipamento se o aviso não for respeitado
NOTA:	Sugestão geral ou melhor prática
	Referência a documentação adicional

NOTA:

Tome nota da morada e telefone do serviço de assistência local no quadro incluído a seguir.

Em caso de avaria, entre em contacto com este serviço e tente dar todos os detalhes pertinentes para poder receber uma ajuda rápida.

Assinatura e carimbo do fornecedor

1.0 Notas gerais sobre segurança e restrições de condução

A engenharia e construção desta cadeira de rodas destinam-se a oferecer a maior segurança. As normas de segurança internacionais atualmente em vigor foram cumpridas ou excedidas. No entanto, existe o risco de perigo se os utilizadores manusearem incorretamente a cadeira de rodas. Para sua própria segurança, deve respeitar completamente as seguintes regras.

A adaptação ou ajustamento não profissional ou errado pode aumentar o risco de acidentes. Como utilizador da cadeira de rodas, faz também parte do tráfego diário nas ruas e passeios, como todo o resto. Gostaríamos de lhe chamar a atenção que, deste modo, está também sujeito a qualquer regra do Código de Estrada.

Tenha cuidado durante a sua primeira viagem na cadeira de rodas. Familiarize-se com a sua Cadeira de Rodas.

Antes de cada utilização, deve inspecionar o seguinte:

- Eixos de extração rápida nas rodas traseiras
- Velcro dos assentos e encostos
- Pneus, pressão dos pneus e dispositivos de bloqueio das rodas.



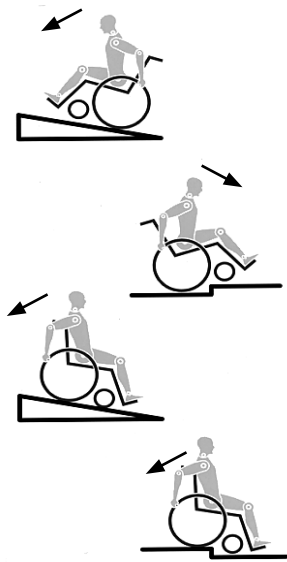
Antes de alterar qualquer um dos ajustamentos desta cadeira de rodas, é importante ler a secção correspondente do Manual de Utilizador.

É possível que a cadeira caia se passar por cima de buracos ou conduzir em solo desnivelado, especialmente quando subir ou descer pisos inclinados. Quando subir um degrau ou uma inclinação de frente, deve inclinar o corpo para a frente.



- NUNCA exceda a carga máxima de 65 kg para o condutor mais quaisquer objetos transportados na cadeira. Tenha em conta a informação sobre o peso para opções de pesos menores, que são apresentadas em separado. Se exceder a carga máxima, pode danificar a cadeira, pode cair ou tombar, perder controlo e pode causar ferimentos graves em si e noutras pessoas.
- Para evitar quedas e situações perigosas, pratique primeiro a condução da sua nova cadeira de rodas em solo nivelado e com boa visibilidade.
- Esta cadeira de rodas deve ser exclusivamente usada para transportar uma pessoa de cada vez. Qualquer outro tipo de aplicação não está de acordo com os objetivos pretendidos.
- Quando se sentar ou sair da cadeira de rodas, não se apoie nos apoios de pés. Deve dobrá-los para cima antes e movê-los para o exterior tanto quanto possível.
- Dependendo do diâmetro e configuração das rodas giratórias assim como da configuração do centro de gravidade da cadeira de rodas, as rodas giratórias podem começar a vibrar em velocidades mais elevadas. Isto pode causar o bloqueio das rodas giratórias e a cadeira de rodas pode tombar. Assim, certifique-se que as rodas giratórias estão ajustadas corretamente (consulte o capítulo "Rodas giratórias").
- Em particular, não conduza sem travões em inclinações, mova-se a uma velocidade reduzida. Nas velocidades mais elevadas, dependendo da configuração e/ou físico/capacidades físicas do utilizador, a roda giratória pode oscilar inesperadamente. Isto pode causar ferimentos ao utilizador.
- Explore os efeitos da mudança do centro de gravidade no comportamento da cadeira de rodas, por exemplo, em inclinações, declives, todos os desnivelamentos ou quando transpor obstáculos. Faça-o com a assistência de alguém.
- Aconselhamos os utilizadores mais inexperientes a utilizarem tubos anti-queda.
- Os tubos anti queda devem evitar a queda da cadeira para trás por acidente. Em circunstância alguma devem ser utilizados em vez das rodas normais e devem ser utilizados para transportar uma pessoa numa cadeira de rodas com as rodas traseiras removidas.
- Em condições extremas (p.ex. com as rodas traseiras na posição mais dianteira) e com uma postura menos perfeita, a cadeira de rodas pode tombar mesmo numa superfície plana.
- Incline o seu tronco para a frente quando subir declives e degraus.
- Incline o seu tronco ainda mais para trás quando descer declives e degraus.
- Quando utilizar acessórios de mobilidade instalados na cadeira de rodas, como guiadores, direção assistida eletrónica, etc., certifique-se de que a sua cadeira de rodas está equipada com os garfos das rodas giratórias apropriados e autorizados para este tipo de utilização. Contacte o seu distribuidor se tiver alguma questão.
- Tenha em conta que determinadas configurações da cadeira de rodas podem exceder uma largura de 700 mm. Se for este o caso, em determinadas circunstâncias, poderá não ser possível utilizar algumas ou todas as vias de saída de emergência existentes num edifício. Poderá ser mais difícil, ou até impossível, viajar em transportes públicos.

Fig. A





- Não pendure objetos pesados, como sacos de compras ou mochilas, nas pegadas, encosto da cabeça ou encosto da cadeira de rodas.
- Estas podem alterar o ponto de inclinação e existe o risco de cair para trás.
- Quando pegar em objetos (à frente da, ao lado da ou por detrás da cadeira de rodas) certifique-se que não se inclina demasiado para longe da cadeira de rodas, porque se alterar o centro de gravidade existe o risco de cair ou capotar.
- Utilize apenas a sua cadeira de rodas corretamente. Por exemplo, evitar transpor obstáculos sem travar (degraus, lancis) ou descer desnivelamentos de solo.
- Só deve tentar subir escadas com a ajuda de um assistente. Se existir equipamento para o auxiliar, p.ex. subir rampas ou utilizar elevadores, utilize-o. Se não existir equipamento para uma determinada função, então a cadeira de rodas deve ser inclinada e empurrada e nunca transportada em degraus (2 assistentes).
- Regra geral, deve instalar previamente os tubos anti-queda, para não tocarem nos degraus, porque de outro modo poderá sofrer uma queda grave. Depois, os tubos anti queda devem ser colocados na posição correta.
- Certifique-se que o assistente só segura na cadeira de rodas utilizando as peças instaladas firmemente (p.ex. evitando os apoios de pés ou proteções laterais).
- Quando utilizar uma rampa de suspensão, certifique-se que os tubos anti-queda instalados estão posicionados fora da área de perigo.
- Imobilize a cadeira de rodas em solo irregular ou quando a transportar (p.ex. num carro) usando os dispositivos de bloqueio das rodas.
- Para amputados ao nível da coxa, os tubos anti-queda devem ser utilizados.
- Antes de conduzir, verifique se a pressão dos pneus está correta. Para as rodas traseiras, deve ser, pelo menos, 3,5 bares (350 kPa). A pressão máx. é indicada no pneu.
- Os travões com manípulo de joelho apenas funcionam se a pressão dos pneus for suficiente e se foi efectuada a configuração correta (ver Capítulo sobre "Dispositivos de Bloqueio das Rodas").
- Os dispositivos de bloqueio das rodas não se destinam a travar a cadeira de rodas. Existem apenas para garantir que a sua cadeira de rodas não se move por acidente. Quando parar em solo desnivelado, deve usar sempre os dispositivos de bloqueio das rodas para evitar que a cadeira se mova. Active sempre ambos os dispositivos. Caso contrário, a sua cadeira de rodas pode inclinar-se.
- Os dispositivos de bloqueio das rodas não foram concebidos para serem usados como travões de uma cadeira em movimento.
- Use sempre elevadores e rampas. Se estes não estiverem disponíveis, deve solicitar a ajuda de um assistente. Os assistentes devem segurar na cadeira de rodas nas peças fixas. Se os tubos anti queda estiverem instalados, devem ser retraídos. Uma cadeira de rodas nunca deve ser levantada com o ocupante. Apenas deve ser empurrada.



- Se o assento ou a correia traseira ficarem danificados, deve substituí-los imediatamente.
- Não levante ou transporte a cadeira de rodas pelos tubos traseiros ou pelos manípulos para empurrar.
- Não coloque qualquer equipamento electrónico não autorizado, unidades de mobilidade eléctricas ou mecânicas, bicicletas ou qualquer outro dispositivo que altere o propósito ou a estrutura da cadeira de rodas.
- Qualquer combinação com outros dispositivos médicos exige a autorização da Sunrise Medical.
- Cuidado com o fogo, especialmente com cigarros acesos. As correias do assento e traseiras podem incendiar-se.
- Se, e sempre que possível, durante uma viagem num veículo equipado para transportar pessoas com deficiências motoras, os ocupantes do veículo devem usar os assentos do veículo e o sistema de segurança apropriado. Esta é a única maneira de garantir que os ocupantes recebem a proteção máxima em caso de acidente. Quando utilizar os elementos fornecidos pela SUNRISE MEDICAL e utilizar um sistema de segurança personalizado, as cadeiras de rodas ativas podem ser utilizadas como assento durante o transporte num veículo preparado para o efeito. (Consulte o capítulo sobre "Transporte").
- Certifique-se sempre que os eixos de extração rápida nas rodas traseiras estão configurados corretamente e bloqueados. Se não premir o botão no eixo de extração rápida, não pode remover a roda traseira.
- Em especial, quando usar aros de rodas leves, os dedos podem facilmente aquecer quando travar a altas velocidades ou em inclinações longas.
- Se a cadeira de rodas ficar exposta à luz do sol durante um longo período de tempo, partes da mesma (p.ex. estrutura, apoios de pernas, travões e proteção lateral) podem aquecer muito (> 41°C).
- Para evitar ferimentos nas mãos, não coloque as mãos nos raios ou entre a roda traseira e o dispositivo de bloqueio das rodas quando conduzir a cadeira de rodas.
- Quando usar a cadeira no exterior, vista sempre luvas de couro para poder segurar melhor e para que os dedos não fiquem sujos ou sobreaqueçam.
- Não conduza a cadeira de rodas em inclinações > 10°.
- O declive seguro dinâmico depende da configuração da cadeira, das capacidades do utilizador e do estilo de condução. Uma vez que as capacidades do utilizador e estilo de condução não podem ser pré-determinados então o desnivelamento máximo seguro não pode ser pré-determinado. Assim, deve ser determinado pelo utilizador com a ajuda de um assistente para evitar cair. Aconselhamos vivamente a instalação de dispositivos anti-queda se o utilizador for inexperiente.
- Não conduza a cadeira de rodas em solo lamacento e com gelo.
- Não utilize a sua cadeira de rodas onde os pedestres não podem circular.
- Com todas as peças móveis, existe o risco natural de entalar os dedos. Manuseie com cuidado.
- A cadeira de rodas não deve ser usada sob chuva intensa, na neve ou em superfícies escorregadias ou instáveis.
- Não use a cadeira de rodas em locais perigosos.

AVISO!

PERIGO DE ASFIXIA: Este dispositivo de ajuda para a mobilidade utiliza peças pequenas que, em determinadas circunstâncias, podem apresentar um perigo de asfixia para as crianças.

AVISO!

Os ajustes da sua cadeira de rodas, especialmente dos componentes associados à segurança, devem ser efetuados por um concessionário autorizado. Isto aplica-se a ajustes dos bloqueios das rodas, das barras anti-queda, do ângulo e da altura do encosto, do comprimento da perna inferior, do COG, do cinto de segurança, da convergência e do arco da roda traseira, da altura do assento assim como da convergência e estabilidade direcional do garfo da roda giratória.

NOTA:

- O efeito do travão com manípulo de joelho assim como as características gerais de condução dependem da pressão dos pneus. A cadeira de rodas é significativamente mais leve e mais fácil de manobrar quando as rodas traseiras estiverem cheias e a pressão de ambas as rodas for igual.
- Verifique se os seus pneus têm piso suficiente!
- Tenha em conta que fica sujeito a toda e qualquer regra de trânsito quando conduzir no trânsito normal.
- Quando estiver escuro, vista roupas de cores claras ou roupas com refletos, para ser mais facilmente visível. Verifique se os refletos no lado e na traseira da cadeira de rodas são claramente visíveis. Recomendamos também que instale uma luz ativa.
- Tenha sempre cuidado com os seus dedos quando utilizar ou ajustar a cadeira de rodas!
- A cadeira de rodas representada e descrita neste manual pode não ser exatamente igual à sua. No entanto, todas as instruções são perfeitamente aplicáveis, independentemente dessas pequenas diferenças.
- O fabricante reserva-se no direito de modificar, sem aviso prévio, os pesos, dimensões e outros dados indicados neste manual. Todos os valores, medidas e capacidades indicados neste manual são aproximados e não representam especificações.

Vida Útil

- A vida útil estimada da cadeira de rodas é 5 anos.

2.0 Transporte



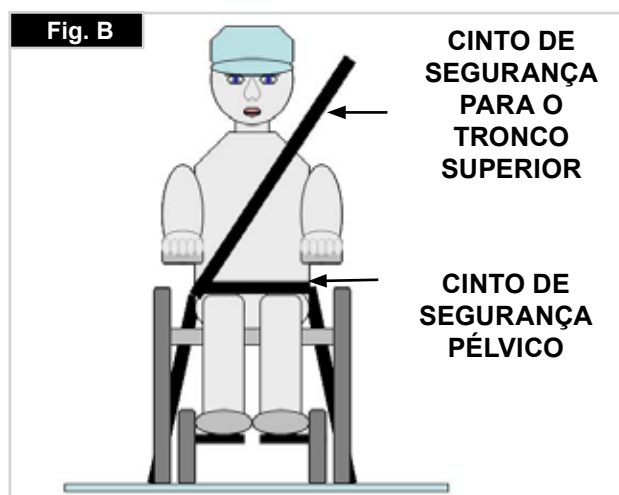
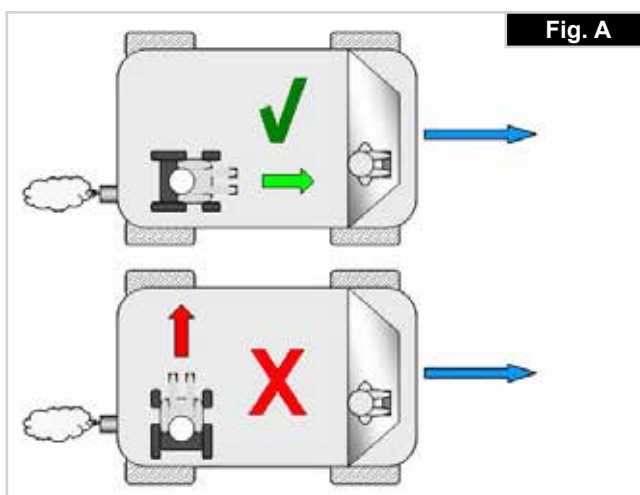
Existente o risco de ferimentos graves ou morte se esta sugestão for ignorada!

Transporte da cadeira de rodas num veículo:

Uma cadeira de rodas fixa num veículo não apresenta o nível de segurança equivalente ao do sistema de segurança do veículo. É sempre aconselhável transferir o utilizador para o assento do veículo. A Sunrise Medical reconhece que nem sempre é prático para o utilizador ser transferido e, nestas circunstâncias, quando for necessário transportar o utilizador na cadeira de rodas, os seguintes conselhos devem ser respeitados:

1. Confirme se o veículo está equipado para transportar um passageiro numa cadeira de rodas e se tem acesso ao método de acesso/entrada para o seu tipo de cadeira de rodas. A resistência do piso do veículo deve ser suficiente para suportar o conjunto do peso do utilizador, da cadeira de rodas e acessórios.
2. Deve existir espaço suficiente à volta da cadeira de rodas para permitir fixar, apertar e libertar a cadeira de rodas e os cintos de segurança e dispositivos de fixação do ocupante.
3. A cadeira de rodas ocupada deve ser posicionada virada para a frente e fixada com as correias de fixação da cadeira de rodas e do ocupante (correias WTORS que cumpram os requisitos de ISO 10542 ou SAE J2249) de acordo com as instruções do fabricante WTORS.
4. A utilização da cadeira de rodas noutras posições dentro de um veículo ainda não foi testada, p.ex. o transporte da cadeira virada para o lado não deve ser feito em circunstância alguma (Fig. A).
5. A cadeira de rodas deve ser fixa por um sistema de fixação, conforme ISO 10542 ou SAE J2249 com correias dianteiras não ajustáveis e correias traseiras ajustáveis, normalmente com ganchos em S/Karabiner e fixações de fivela. Estes dispositivos de fixação são normalmente constituídos por 4 correias individuais fixadas a cada canto da cadeira de rodas.
6. Deve instalar as correias de fixação na estrutura principal da cadeira de rodas como indicado nos diagramas da página seguinte e não em quaisquer acessórios ou peças, p.ex. não à volta dos raios das rodas, dos travões ou dos apoios de pés.
7. As correias de fixação devem ser presas tão próximo quanto possível, a um ângulo de 45 graus, e apertadas com firmeza de acordo com as instruções do fabricante.

8. Os pontos de fixação da cadeira de rodas ou a estrutura e componentes não devem ser alterados ou substituídos sem consultar o fabricante. Se não o fizer, coloca em risco a capacidade de transportar a cadeira de rodas Sunrise Medical num veículo.
9. Tanto o cinto de segurança pélvico e superior do tronco devem ser usados para segurar o ocupante para reduzir o risco de impactos na cabeça e peito com os componentes do veículo e reduzir o risco de ferimentos graves no utilizador e outros ocupantes do veículo. (Fig. B) O cinto de segurança superior do tronco deve ser instalada no pilar "B" do veículo - se não o fizer aumenta o risco de ferimentos abdominais graves no utilizador.
10. Deve instalar e posicionar sempre um sistema de encosto de cabeça durante o transporte (ver etiqueta do encosto da cabeça).
11. Os suportes de postura (os cintos pélvico, cintos de segurança) não devem ser usados para segurar o ocupante num veículo em movimento a não ser que indiquem que cumprem os requisitos especificados em ISO 7176-19:2001 ou SAE J2249.
12. A segurança do utilizador durante o transporte depende das diligências da pessoa que fixou as correias de fixação e para as quais deve ter recebido instruções e/ou formação adequada.
13. Sempre que possível, remova e guarde a cadeira de rodas e todo o equipamento auxiliar em local seguro. Por exemplo:
14. Canadianas, almofadas soltas e tabuleiros.
15. O apoio de perna articulado/de elevação não deve ser usado na posição elevada quando a cadeira de rodas e o utilizador forem transportados e a cadeira de rodas for fixa usando os Dispositivos de Fixação de Transporte da Cadeira de Rodas e do Ocupante.
16. Os encostos reclináveis devem ser colocados na posição superior.
17. Deve acionar firmemente os travões manuais.
18. As correias de fixação devem ser instaladas no pilar "B" do veículo e devem ser mantidas afastadas do corpo pelos componentes da cadeira de rodas, como apoios de braços ou rodas.



Instruções para segurança do ocupante:

1. O cinto de segurança pélvico deve ser usado em baixo à frente da pélvis de modo a que o ângulo do cinto pélvico fique dentro da zona confortável de 30 a 75 graus na horizontal.
2. Um ângulo mais acentuado (maior) na zona preferencial é desejável, ou seja próximo de, mas sem ultrapassar, os 75° (Fig. C).
3. O cinto de segurança superior do tronco deve ser instalado sobre o ombro e o peito como ilustrado na Fig. D e E.
4. Deve ajustar os cintos de segurança com o maior aperto possível sem os tornar incómodos para o utilizador.
5. Não deve torcer o sistema de fixação do cinto de segurança quando o usar.
6. O cinto de segurança superior do tronco deve ser instalado sobre o ombro e ao longo do ombro como ilustrado na Fig. D e E.
7. Os pontos de fixação da cadeira são a estrutura lateral dianteira interna sob a roda giratória e a estrutura lateral traseira. As correias são fixas à volta das estruturas laterais na interseção dos tubos da estrutura horizontal e vertical. (Ver Fig. G - H)
8. O símbolo de fixação (Fig. F) na estrutura da cadeira de rodas indica a posição das correias de fixação da cadeira de rodas. As correias são esticadas depois das correias dianteiras serem instaladas para segurar a cadeira de rodas.

PESO DO UTILIZADOR INFERIOR A 22 kg

Quando a pessoa transportada for uma criança, com massa inferior a 22 Kg e o veículo envolvido tiver menos de oito (8) bancos, recomendamos que a criança seja transferida para um sistema de segurança para crianças (CRS) compatível com UNCE Regulamento 44.

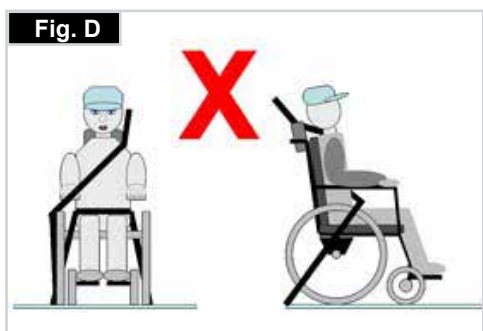
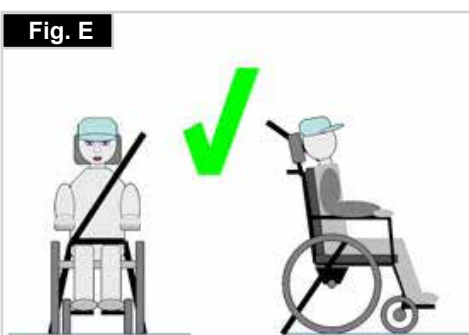
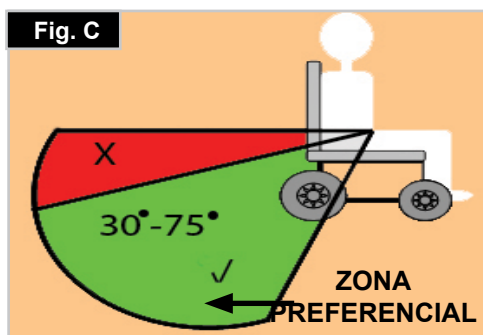
Este tipo de sistema de segurança é um sistema de segurança mais eficaz para o ocupante do que um sistema de segurança convencional de 3 pontos. Alguns sistemas CRS também incluem suportes de postura adicionais para ajudar a manter a postura da criança enquanto sentada.

Os pais ou profissionais de saúde poderão considerar a opção de, em algumas circunstâncias, a criança permanecer na cadeira de rodas durante o transporte devido ao nível de controlo da postura e conforto providenciados pelo sistema na cadeira de rodas.

Nestas circunstâncias, recomendamos que o profissional de saúde e pessoas competentes relevantes efetuem uma avaliação dos riscos.

Transporte – a posição dos cintos de fixação na cadeira de rodas

- A cadeira de rodas segura com pontos de fixação dianteiros. (Fig. G).
- Posição do dispositivo de fixação traseiro da cadeira de rodas, (Fig. H).



GARANTIA**ESTA GARANTIA NÃO AFECTA, DE MODO ALGUM, OS SEUS DIREITOS LEGAIS.**

A Sunrise Medical* oferece aos seus clientes uma garantia, como definida nas condições da garantia, para cadeiras de rodas cobrindo o seguinte

Condições de Garantia

1. Caso seja necessário reparar ou substituir uma peça ou peças da cadeira de rodas como resultado de defeito de fabrico e/ou do material, num período de 24 meses, ou 5 anos para a estrutura e barras cruzadas, a contar da data de entrega ao cliente, então a peça ou peças afetada(s) será ou serão reparada(s) ou substituída(s) gratuitamente. (As baterias têm garantia durante 12 meses, desde que o plano de manutenção correto das baterias seja respeitado)
2. Para aplicar a garantia, contacte o Serviço de Clientes Sunrise Medical com os detalhes precisos da natureza do problema. Se usar a cadeira de rodas fora da área do agente de serviço pós-venda designado pela Sunrise Medical, as reparações ou substituições serão realizados por qualquer outro agente designado pelo fabricante. A cadeira de rodas deve ser reparada por um agente de Serviço de Clientes designado pela Sunrise Medical, (fornecedor).
3. Para peças que tenham sido reparadas ou substituídas no âmbito desta garantia, oferecemos uma garantia de acordo com estas condições para o restante período da garantia para a cadeira de rodas de acordo com o ponto 1).
4. As peças sobressalentes originais que tenham sido instaladas por encargo do cliente terão uma garantia de 12 meses, (a contar da data da instalação), de acordo com estas condições da garantia.
5. As peças consumíveis, como almofadas, pneus, barras internas e peças semelhantes, são excluídas da garantia, excepto se o desgaste prematuro das peças for resultado direto de defeito de fabrico.
6. Não serão feitas reclamações ao abrigo desta garantia, se for necessário reparar ou substituir a cadeira de rodas ou uma peça por uma das seguintes razões:
 - a) O produto ou peça não foi mantido ou reparado de acordo com as recomendações do fabricante como descrito nas Instruções do Utilizador e/ou Instruções de Reparação.
 - b) Acessórios que tenham sido usados e que não sejam especificados como acessórios originais.
 - c) Danos apresentados pela cadeira de rodas ou peça como resultado de negligência, acidente ou utilização imprópria.
 - d) Se tiverem sido feitas alterações/modificações na cadeira de rodas ou peças que sejam diferentes das especificações do fabricante.
 - e) Se tiverem sido feitas reparações, antes do Serviço de Clientes ter sido informado das circunstâncias.
7. Esta garantia está sujeita às leis do país no qual o produto foi comprado à Sunrise Medical

* Significa as instalações da Sunrise Medical onde o produto foi comprado.

4.0 Manuseamento

Eixos de extração rápida nas rodas traseiras

As rodas traseiras estão equipadas com eixos de extração rápida.

As rodas podem, assim, ser instaladas ou removidas sem usar ferramentas. Para remover uma roda, basta premir o botão de extração rápida no eixo (1) e puxá-lo para fora (Fig. 3).



CUIDADO!

Mantenha premindo o botão de extração rápida no eixo quando inserir o eixo na armação para montar as rodas traseiras.

Liberte o botão para fixar a roda na sua posição. O botão de extração rápida deverá encaixar na sua posição original.

Transporte da cadeira de rodas

A remoção das rodas traseiras mantém a cadeira tão compacta quanto possível.

O encosto pode ser retraído para baixo, puxando o cabo no encosto.

Para mover a cadeira de rodas sem ocupante, deve levantá-la segurando na parte dianteira da correia e pelas pegas de empurrar.

Quando transportar a cadeira de rodas vazia numa viatura, deverá prendê-la ou amarrá-la.

5.0 Opções

Tubos de Apoio

Os tubos de apoio são usados pelos assistentes para empurrar uma cadeira de rodas sobre um obstáculo. Basta empurrar o tubo com o pé para empurrar a cadeira de rodas, por exemplo, sobre um lancil ou degrau (Fig. 5.1).

Travões



CUIDADO!

A capacidade de travagem pode ser afectada pela instalação e ajustamento incorreto dos travões, assim como quando a pressão dos pneus é demasiado baixa.

Dispositivos de bloqueio das rodas

A sua cadeira de rodas está equipada com dois dispositivos de bloqueio de rodas. São aplicados diretamente sobre os pneus. Para activar os dispositivos, empurre ambos os manípulos de bloqueio contra as peças de arresto. Para desbloquear a roda, puxe os manípulos para trás para a sua posição original.

A capacidade de travagem diminui com:

- Piso desgastado dos Pneus
- Pressão dos Pneus demasiado baixa
- Pneus húmidos
- Dispositivos de bloqueio das rodas incorretamente ajustado.

Os dispositivos de bloqueio das rodas não foram concebidos para serem usados como travões de uma cadeira em movimento. Assim, os dispositivos de bloqueio das rodas nunca devem ser usados para travar uma cadeira de rodas em movimento. Use sempre os aros das rodas para travar.

Certifique-se que o intervalo entre os pneus e dispositivos de bloqueio das rodas respeita as especificações apresentadas. Para reajustar, desaperte o parafuso (1) e ajuste o intervalo apropriado. Aperte de novo os parafusos (veja a página sobre a força de torção). (Fig. 5.2).

Bloqueio de rodas padrão

(Fig. 5.3)

Fig. 4.0

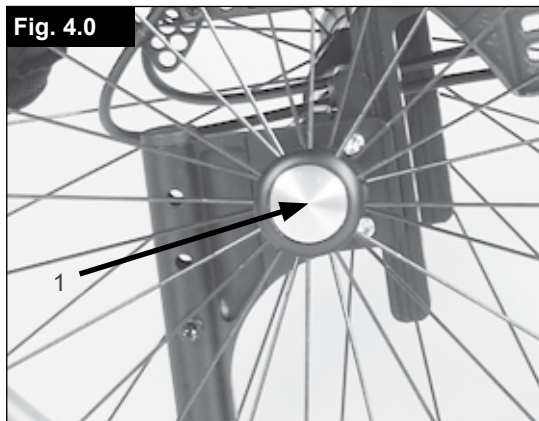


Fig. 5.1



Fig. 5.2

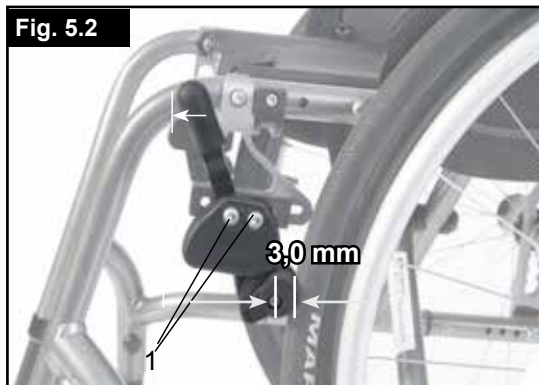


Fig. 5.3



Dispositivo de bloqueio da roda compacto

Os dispositivos de bloqueio das rodas compactos ficam por debaixo da correia do assento e são acionados puxando os dispositivos de bloqueio das rodas para trás, na direção do pneu. Para que os travões funcionem corretamente, deve puxar até atingir as peças de arresto (Fig. 5.4).

⚠ CUIDADO!

- A montagem incorreta do bloqueio da roda exige um maior esforço de operação. Isto poderá partir a extensão da alavanca dos travões dos bloqueios das rodas.
- Os parafusos de fixação dos travões não devem ser desapertados e/ou reapertados.

Dispositivo de bloqueio das rodas Safari (Dispositivo de bloqueio das rodas integrado na Proteção lateral):

O dispositivo de bloqueio das rodas Safari é acionado empurrando o manípulo para a frente (na direção contrária ao corpo do paciente). Para libertar os travões, puxe o manípulo na direção do corpo (Fig. 5.5).

Extensão do manípulo do travão

O manípulo mais longo ajuda a minimizar o esforço necessário para aplicar os dispositivos de bloqueio das rodas.

A extensão do manípulo do travão está aparafusada aos travões.

Ao levantá-la, pode encostá-la para trás (Fig. 5.6).

⚠ CUIDADO!

A montagem incorreta do bloqueio da roda exige um maior esforço de operação. Isto pode partir o manípulo de extensão do dispositivo de bloqueio das rodas.

Fig. 5.4



Fig. 5.5



Fig. 5.6



Ajustamento do Apoio de Pés

⚠ CUIDADO!

- Não se apoie com os pés no apoio de pés! Mesmo que o utilizador esteja sentado na cadeira, existe o risco de queda e ferimento.
- Quando entrar e sair da cadeira, não se apoie na placa para os pés, pois existe o risco de queda e de ferimentos.

Ajustar o Apoio dos Pés

Se remover o parafuso (1) pode ajustar o apoio para pés para corresponder ao comprimento da parte inferior da sua perna e fixar de novo o apoio para pés. O ângulo do apoio para pés pode ser ajustado individualmente (apoio para pés não rígido) desapertando os parafusos (2). A proteção lateral do apoio dos pés impede que os pés escorreguem acidentalmente. Certifique-se que em qualquer ajustamento, os parafusos são apertados corretamente (consulte a página de forças de torção) (Fig. 5.7).

Apoio para pés retráctil:

O apoio para pés pode ser dobrado para cima para a traseira, o que facilita a transferência do paciente de/para a cadeira. O apoio para pés é retraído, levantando a secção dianteira. Para colocar o apoio para pés na posição original, a secção dianteira deve ser inclinada para a frente (Fig. 5.8).

Apoio para pés elevável:

O apoio para pés elevado está instalado na parte interna da estrutura e permite colocar o apoio para pés numa posição mais elevada (Fig. 5.9).

⚠ CUIDADO!

O fluido de travamento da rosca dos parafusos usados nesta cadeira de rodas é aplicado na fábrica. Depois disso, podem ser substituídos ou, alternativamente, fixar novamente com o travamento até um aperto médio.

Fig. 5.7



Fig. 5.8

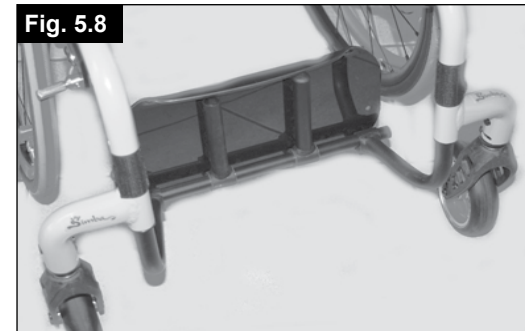


Fig. 5.9



Roda giratória

Roda giratória, Adaptador da roda giratória, Forqueta da roda giratória

De vez em quando, a cadeira de rodas pode "fugir" ligeiramente para a direita ou esquerda ou as rodas giratórias podem vibrar.

As razões podem ser as seguintes:

- O movimento frontal e/ou inverso da roda não foi ajustado corretamente.
- O ângulo da roda giratória não foi ajustado corretamente.
- A pressão do ar da roda giratória e/ou roda traseira é incorreta; as rodas não viram suavemente.

O ajustamento ótimo das rodas giratórias é necessário para a cadeira de rodas se mover em linha reta.

As rodas giratórias devem ser sempre ajustadas por um fornecedor autorizado. As placas das rodas giratórias devem ser reajustadas e os dispositivos de bloqueio das rodas devem ser inspecionados sempre que a posição da roda traseira for alterada.

Ajustar a roda giratória

Para garantir o ajuste paralelo das forquetas, basta contar os dentes visíveis em ambos os lados. Depois de ajustar a forqueta da roda giratória, os dentes garantem uma posição segura, permitindo ajustar até 16° em incrementos de 2°. Use o lado plano para definir uma posição de ângulo reto em relação ao chão. O design patenteado permite virar a forqueta da roda giratória, para que o possa ajustar em ângulos retos em relação ao chão quando alterar o ângulo do assento, (Fig. 5.10 + 5.11).

Ajuste da estabilidade direcional

Desaparafuse os parafusos Allen (1) na parte inferior da forqueta. Então, pode abrir o parafuso (2). Agora pode rodar a ranhura preta (3) para a esquerda ou direita.

Esquerda – a cadeira puxa para a esquerda

Direita – a cadeira puxa para a direita

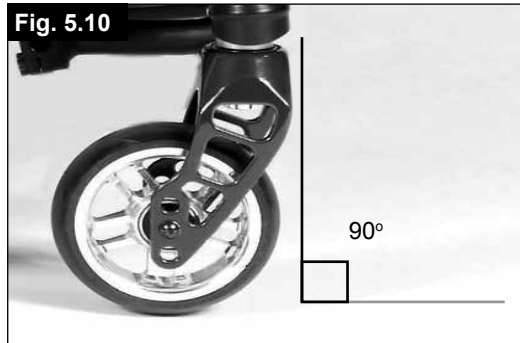
Depois, aperte de novo o parafuso (2). Aplique um ângulo de 90° da forqueta até ao chão.

Agora, aperte de novo o parafuso (1). (Fig. 4.16).



CAUIDADO!

O fluido de travamento da rosca dos parafusos usados nesta cadeira de rodas é aplicado na fábrica. Depois disso, podem ser substituídos ou, alternativamente, fixar novamente com o travamento até um aperto médio.



Assento

Ajuste da altura do assento

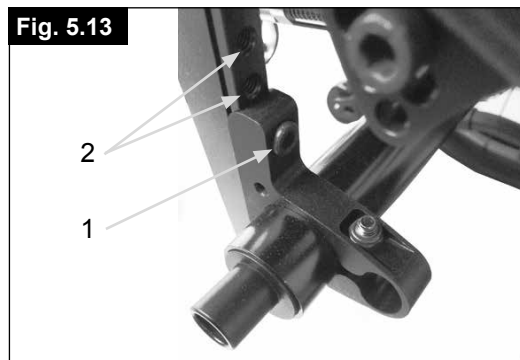
Para ajustar a altura traseira do assento e remover o parafuso Allen (1) (um de cada lado), que fixa o gancho, (2) à placa do eixo (2). Ajuste os dois ganchos dos tubos curvos (2) para a altura necessária e instale de novo os dois parafusos Allen. Antes de apertar os parafusos, siga as instruções para ajustar a convergência/abertura das rodas para zero.

Aperte os parafusos com uma força de 10 Nm. (Fig. 5.13)



CAUIDADO!

- Poderá ser necessário ajustar o ângulo da roda giratória quando ajustar a altura traseira do assento.
- O fluido de travamento da rosca dos parafusos usados nesta cadeira de rodas é aplicado na fábrica. Depois disso, podem ser substituídos ou, alternativamente, fixar novamente com o travamento até um aperto médio.



Alinhamento das Rodas

Ajustar alinhamento das rodas

Importante: Para obter o melhor movimento possível, deve ajustar as rodas traseiras para a posição ótima, o que significa ajustar corretamente o alinhamento das rodas.

Para tal, meça a distância entre ambas as rodas frontal e traseira para se certificar que estão paralelas entre si. A diferença entre ambas as medições não deve ser superior a 5 mm.

Para ajustar as rodas para que fiquem paralelas, desaperte os parafusos e rode a manga do eixo de acordo. Certifique-se que em qualquer ajustamento, os parafusos são apertados corretamente (consulte a página de forças de torção).

Ajustamento de controlo SIMBA

Ajustar a convergência/abertura para zero:

NOTA: Numa cadeira de rodas com cilindros de curvatura de 0° , não é possível ajustar a convergência ou abertura. Este ajustamento é necessária apenas em cilindros de curvatura de 3° , 6° e 9° .

A expressão “convergir ou abrir” define o alinhamento das rodas traseiras da cadeira em relação ao chão. Isto determina a qualidade do movimento da cadeira. Ocorre resistência normal ou resistência de movimento quando a convergência for ajustada para zero.

Para ajustar a convergência/abertura para zero: Desaperte os parafusos Allen (1) (um de cada lado), que fixam o gancho do tubo angular. Inspeccione a bola no plano horizontal (2) e vire o tubo angular (3) até a bola ficar no centro.

A convergência agora é zero. Antes de apertar os parafusos (1), verifique se o tubo curvo está centrado da esquerda para a direita. A distância deve ser a mesma em ambos os lados ou não deverá existir distância alguma. Aperte os parafusos com uma força de 10 Nm (Fig. 5.14 - 5.16).

Fig. 5.14



Fig. 5.15

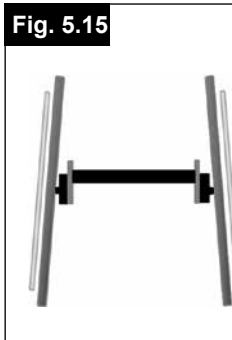
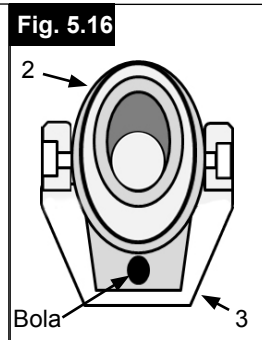


Fig. 5.16



Ajustamento da largura da base da roda

⚠ CUIDADO!

Quando ajustar a base da roda traseira, ajuste primeiro uma roda e depois a outra. Se ambos os lados forem ajustados simultaneamente, o ajustamento da convergência/abertura é alterado. Para ajustar a base da roda traseira, as peças da curvatura (4) movem-se telescopicamente para dentro ou para fora do tubo curvo (5) e são fixadas quando atingirem a extremidade. Desaperte o parafuso (6) (o mais próximo do tubo curvo) no lado esquerdo da cadeira.

Mova o eixo de extração rápida para dentro ou para fora para atingir a base da roda pretendida. Aperte os parafusos com uma força de 10 Nm. Repita este processo no lado direito da cadeira e ajuste a distância para que seja igual ao lado esquerdo (Fig. 5.17).

⚠ CUIDADO!

O fluido de travamento da rosca dos parafusos usados nesta cadeira de rodas é aplicado na fábrica. Depois disso, podem ser substituídos ou, alternativamente, fixar novamente com o travamento até um aperto médio.

Fig. 5.17



Encosto de ângulo ajustável

O ângulo do encosto é ajustado alterando a posição da estrutura do encosto. Deve desapertar e remover os parafusos (1) de ambos os lados. Deve agora ajustar a estrutura do encosto até obter o ângulo desejado. Depois, deve apertar de novo e fixar os parafusos (1) (Fig. 5.18)

**CUIDADADO!**

Deve apertar de novo os parafusos. Caso contrário, perderá o ajustamento do ângulo.

Encosto rebatível

Desbloqueie o encosto puxando o cabo e, ao mesmo tempo, empurrando o encosto para a frente para o dobrar para baixo. Para recolocar o encosto na posição original, deve puxá-lo para trás tanto quanto possível até ficar em ambos os lados.

**PERIGO!**

Se puxar o encosto demasiado para trás, o utilizador pode cair para trás ao acionar os travões. Assim, verifique se ambos os encostos encaixam nessa posição.

**AVISO!**

Quando dobrar o encosto para baixo, tenha cuidado para não entalar os dedos.

Encosto na posição de descanso

Pode obter uma posição de descanso com um ângulo de 10°. Puxe o cabo localizado no encosto para o libertar e puxe o encosto para trás até ambos os tubos do encosto encaixarem nessa posição.

**AVISO!**

Se puxar o encosto demasiado para trás, o utilizador pode cair para trás ao acionar os travões. Assim, verifique se ambos os encostos encaixam nessa posição.

**AVISO!**

Quando dobrar o encosto para baixo, tenha cuidado para não entalar os dedos.

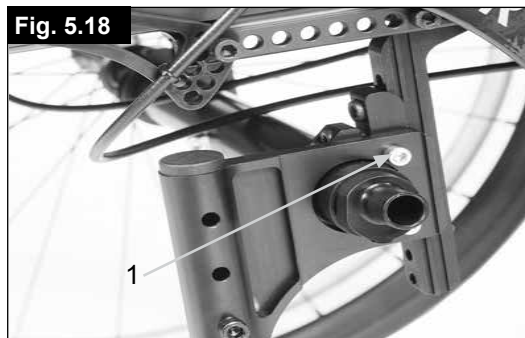
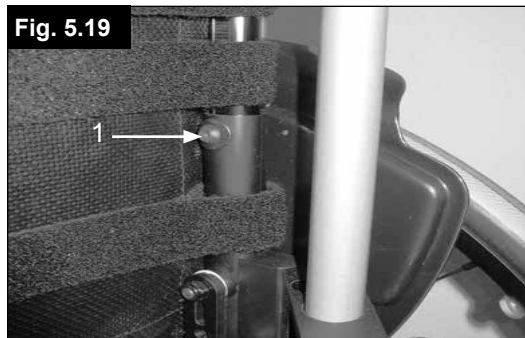
Correia traseira ajustável

A correia traseira ajustável pode ser ajustada usando as várias correias. Pode aceder ao estofo da correia traseira a partir do interior através de uma abertura e pode ser ajustado em função dos gostos individuais.

Encosto de altura ajustável

A altura traseira pode ser ajustada para várias alturas, em incrementos de 2,5 cm.

Os limites de ajustamento são 20-25 cm, 25-30 cm, 30-35 cm e 35-40 cm. Desaperte o parafuso (1) e ajuste o encosto para a altura pretendida. Aperte de novo os parafusos (veja a página sobre a força de torção) (Fig. 5.19).

Fig. 5.18**Fig. 5.19**

Proteções Laterais

As proteções laterais da SIMBA foram concebidas principalmente para os novos travões integrados nas proteções laterais. Se ainda não encomendou os travões integrados nas proteções laterais então as aberturas nas proteções laterais estão protegidas com coberturas, (Fig. 5.20).



AVISO!

Se usar a proteção lateral sem cobertura, corre o risco de sofrer ferimentos. Quando o travão integrado na proteção lateral não está instalado, então a abertura está protegida por uma cobertura.

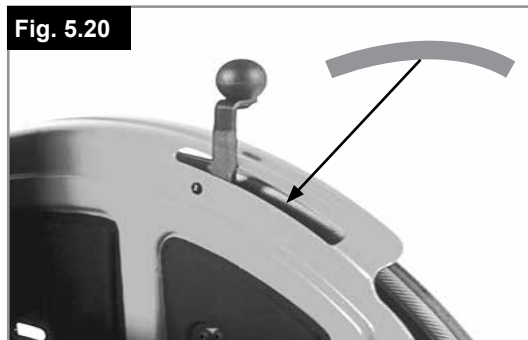
Apoio de braços

O apoio de braços está aparafusado na proteção lateral na posição designada. A altura do apoio de braços é ajustável.

Tabuleiro

A mesa de terapia apenas pode ser usada em conjunto com o apoio de braços. Está fixada ao apoio de braços e posicionada em ambos os apoios de braços.

Fig. 5.20



Pega para empurrar



PERIGO!

Uma cadeira de rodas nunca deve ser levantada com o ocupante. Apenas deve ser empurrada.

Pegas para empurrar de altura ajustável

Estes punhos são fixados por pinos que impedem que descaiam acidentalmente. A abertura do manípulo de libertação rápida (1) torna possível ajustar as pegas (2) em função das suas necessidades específicas. À medida que move o manípulo, ouvirá um mecanismo de engate; agora pode facilmente posicionar as pegas como pretendido.

A porca no manípulo de tensão determina a rigidez de fixação das pegas. Se a porca estiver solta depois de ajustar o manípulo de tensão, a pega também estará solta. Empurre a pega para um lado e para o outro antes de a usar para ter a certeza que está corretamente fixa na sua posição. Depois de ajustar a altura da pega, fixe sempre o manípulo de tensão (1) na sua posição. Se o manípulo não estiver fixo, podem sofrer ferimentos quando subir escadas (Fig. 5.21 + 5.21.1).



CUIDADO!

Se as pegas de altura ajustável não forem instaladas corretamente, existe o risco de criarem "folga" ou de se moverem para fora da sua posição. Verifique se os parafusos relevantes estão apertados corretamente.

Fig. 5.21



Fig. 5.21.1

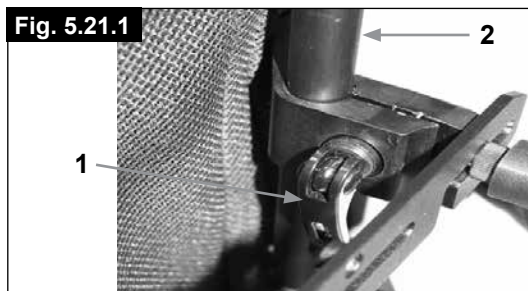
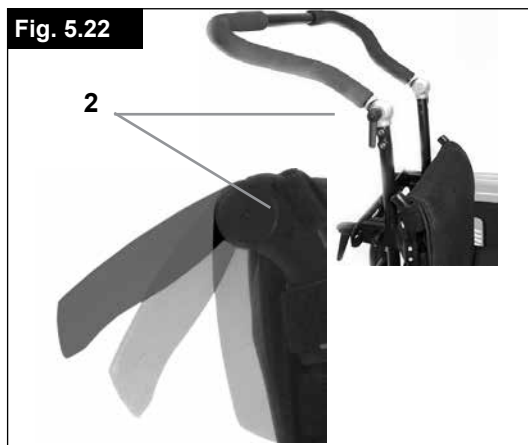


Fig. 5.22



Pegas/barras retrácteis

Se não usar as pegas, pode dobrá-las para baixo, soltando as alavancas, (2). Quando for necessário usá-las de novo, basta abri-las até se fixarem e apertar as alavancas, (Fig. 5.22).

Tubos Antiqueda

A Sunrise Medical recomenda tubos anti-queda para todas as cadeiras. Quando instalar tubos anti-queda, aplique uma força de torção de 16 Nm (Fig. 5.23)

1. Encaixar os tubos anti-queda no gancho:

- Prima o botão traseiro do tubo anti-queda de modo a empurrar os dois pinos de desbloqueio para dentro.
- Encaixe os tubos anti-queda (1) no adaptador do tubo anti-queda.
- Rode os tubos anti-queda para dentro até que os pinos de desbloqueio encaixem no gancho.
- Instale o segundo tubo anti queda do mesmo modo.

2. Ajustamento dos tubos anti queda:

Para obter a folga correcta em relação ao chão de aprox. 2,5 cm a 5,0 cm, deve levantar ou baixar os tubos anti-queda.

- Prima o botão traseiro de desbloqueio do tubo anti-queda de modo a empurrar os dois pinos de desbloqueio para dentro.
- Mova o tubo interno para cima e para baixo para encaixar os orifícios de altura presentes.
- Solte o botão.
- Instale o segundo tubo anti queda do mesmo modo.
- Ambas as rodas devem estar à mesma altura.



Se os tubos anti queda não forem instalados, ou forem instalados incorretamente, existe o risco da cadeira inclinar-se, cair e causar ferimentos.

Fig. 5.23

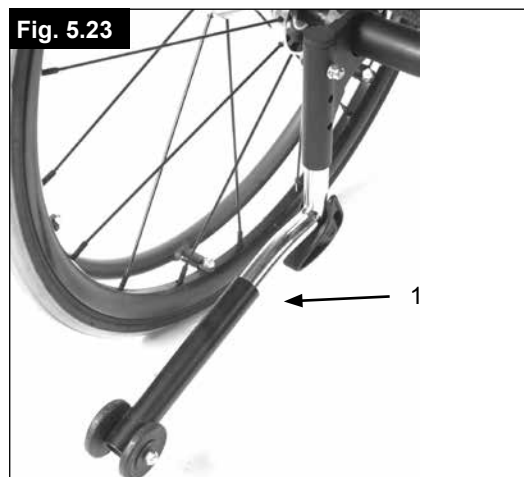


Fig. 5.24



Assento

Correia do Assento:

Remova os parafusos no lado esquerdo da correia.

Ajuste o material de VELCRO® para aumentar a tensão da correia do assento. Aperte de novo os parafusos.

Se tiver dificuldade em encaixar os parafusos, tente localizar os orifícios com um objecto afiado. Verifique também se a base de plástico está na posição correcta antes de apertar de novo os parafusos, (5.24).

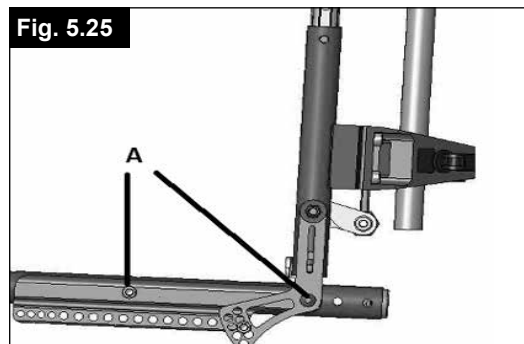
Aumento da largura e da altura do assento

Ajustamento da largura do assento:

A largura do assento pode ser aumentada até 2 cm sem serem necessárias novas peças:

- Os parafusos no apoio para os pés e eixo, mais as duas barras estabilizadoras do encosto e sob o assento, devem ser desapertados.
- Os tubos telescópicos no apoio para os pés, barras estabilizadoras e barra do eixo, devem ser esticados em função da nova largura do assento. Aperte de novo os parafusos.
- Solte as correias traseiras e as do assento usando o Velcro e ajuste para a, próxima, maior largura de assento,

Fig. 5.25



Ajustamento da profundidade do assento:

A profundidade do assento pode ser aumentada até 4 cm sem serem necessárias novas peças:

Desaperte e remova os parafusos, (A - Fig. 5.25), em ambos os lados da cadeira de rodas, na estrutura do assento, e mova todos os componentes, incluindo as barras do encosto, para a posição pretendida.

Instale de novo os pernos "A" e aperte.

Fig. 5.26



Suporte da Canadiana

Suporte da Canadiana

Este dispositivo permite o transporte de canadianas diretamente na cadeira de rodas. Possui uma correia de Velcro para segurar as canadianas ou outros acessórios, (5.26).



PERIGO!

Nunca tente usar ou mesmo remover as canadianas ou outros acessórios enquanto conduz.

Fig. 5.27



Pneus e Montagem

Os pneus de borracha sólidos são o padrão, (5.27).



CUIDADO!

Se instalar pneus pneumáticos:

Com pneus pneumáticos certifique-se sempre de que a pressão do ar é a correta. Caso contrário, o desempenho da cadeira de rodas pode ser afetado. Se a pressão for demasiado baixa, a resistência de movimento aumenta, sendo necessário mais esforço para que a cadeira se mova para a frente. Pressão demasiado baixa também afeta negativamente a capacidade de manobra. Se a pressão for demasiado alta, o pneu pode rebentar. A pressão correta para um determinado pneu está impressa na superfície do próprio pneu.

Os pneus podem ser montados do mesmo modo que um pneu normal de bicicleta. Antes de instalar um novo tubo interno, deve sempre certificar-se que a base da jante e o interior do pneu não contêm objetos estranhos. Verifique a pressão depois de montar ou reparar um pneu. É vital para a sua segurança e para o desempenho da cadeira de rodas que a pressão de ar seja mantida e que os pneus estejam em boas condições.

6.0 Suporte lateral anterior (Cinto pélvico)

PERIGO!

Antes de usar a sua cadeira de rodas verifique se tem o cinto de segurança colocado.

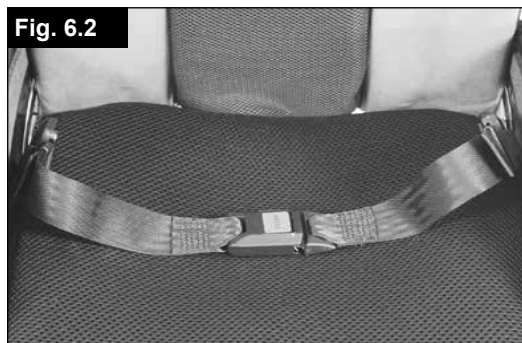
Deve inspecionar diariamente

o cinto de segurança para garantir que não está obstruído ou desgastado. Verifique sempre se o cinto pélvico está corretamente instalado e ajustado antes de usar. Se a correia estiver demasiado folgada, o utilizador poderá escorregar e ficar asfixiado ou sofrer ferimentos graves.



O cinto de segurança está fixo à cadeira de rodas como indicado nas imagens. O cinto de segurança é constituído por 2 metades. São instaladas usando o parafuso de fixação de suspensão do assento instalado através do ilhó do cinto. O cinto é conduzido sob a parte de trás do painel lateral, (1). (Fig. 6.1)

Ajuste a posição do cinto de modo a que as fivelas fiquem no centro do assento. (Fig. 6.2).

Se quiser reequipar um cinto de segurança, contacte o seu concessionário autorizado da Sunrise Medical.



Ajuste o cinto de segurança de acordo com as necessidades do utilizador da seguinte forma:

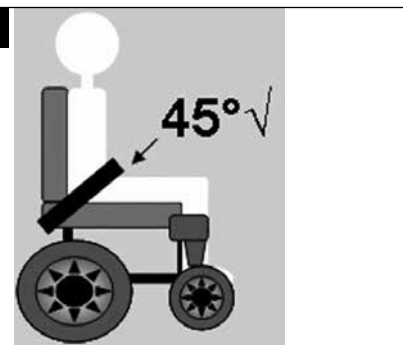
Para reduzir o comprimento do cinto:	Para aumentar o comprimento do cinto
	
Conduza o cinto através da fivela macho e ajustadores. Verifique se o cinto não está enrolado na fivela macho.	Conduza o cinto através dos ajustadores e da fivela macho para que o comprimento seja maior.



Quando apertado, verifique o espaço entre o cinto de segurança pélvico e o utilizador. Quando corretamente ajustado deverá ser possível enfiar a palma da mão entre o cinto e o utilizador. (Fig. 6.3).

O cinto de segurança deve ser fixado de modo a que o cinto fique num ângulo de 45 graus ao longo da pélvis do utilizador. O utilizador deve estar sentado direito e afastado o quanto possível do assento durante o ajustamento. O cinto de segurança não deve deixar que o utilizador escorregue no assento. (Fig. 6.4)

Fig. 6.4



<p>Para apertar a fivela: Empurre firmemente a fivela macho para a fivela fêmea.</p>	<p>Para abrir o cinto: Prima os lados expostos da fivela macho e empurre para o centro enquanto as afasta sem forçar.</p>

⚠ AVISO!

- Em caso de dúvida sobre a utilização e operação do cinto de segurança fale com o seu médico, fornecedor da cadeira de rodas, enfermeira ou assistente para obter ajuda.
- O cinto de segurança apenas deve ser instalado por um fornecedor / agente autorizado da Sunrise Medical.
- O cinto de segurança apenas deve ser ajustado por um profissional ou fornecedor / agente autorizado da Sunrise Medical.
- O cinto de segurança deve ser inspecionado diariamente para garantir que esteja corretamente ajustado e livre de obstruções ou desgaste prejudicial.
- A Sunrise Medical não recomenda o transporte de uma pessoa num veículo usando este cinto de segurança como método de fixação.



Consulte o folheto de transporte da Sunrise Medical para mais conselhos sobre transporte.

Manutenção:

Verifique o cinto de segurança e os componentes de fixação regularmente para detetar quaisquer sinais de desgaste ou danos. Substitua se necessário.

⚠ AVISO!

O cinto de segurança deve ser ajustado para acomodar o utilizador como descrito em cima. A Sunrise Medical recomenda que o comprimento e posição do cinto sejam inspecionados regularmente para reduzir o risco do utilizador reajustar inadvertidamente o cinto para um comprimento excessivo.

7.0 Resolução de problemas

A cadeira de rodas guina para um dos lados

- Verifique a pressão dos pneus
- Verifique se a roda vira facilmente (rolamentos, eixo)
- Verifique o ângulo da roda giratória
- Verifique se ambas as rodas giratórias estão em contacto com o chão

As rodas giratórias começam a vibrar

- Verifique o ângulo da roda giratória
- Verifique se todos os parafusos estão apertados; aperte se necessário (Ver a secção sobre força de torção).
- Verifique se ambas as rodas giratórias estão em contacto com o chão

A estrutura da cadeira de rodas / estrutura de tubos não encaixa na posição na tela do assento

- A cadeira ainda é nova, ou seja, o estofado do assento ou do encosto ainda está rígido. Isto melhora com o tempo.

É difícil dobrar a cadeira

- O estofado do encosto ajustável é demasiado rígido. Solte-o de acordo.

A cadeira de rodas chia e vibra

- Verifique se todos os parafusos estão apertados; aperte se necessário (Ver a secção sobre força de torção).
- Aplique uma pequena quantidade de óleo lubrificante nas zonas onde as peças móveis entram em contato

A cadeira de rodas move-se irregularmente

- Verifique o ângulo das rodas giratórias
- Verifique a pressão dos pneus
- Verifique se as rodas traseiras estão ajustadas de maneira diferente

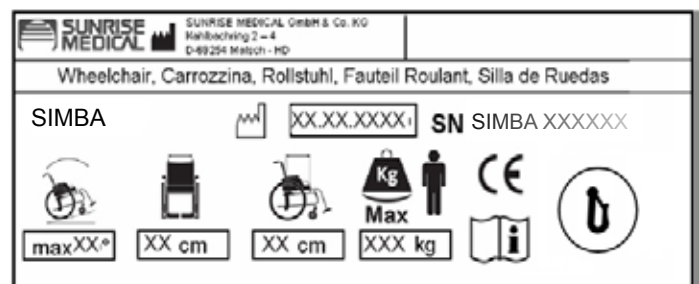
8.0 Placa de nome

Placa de nome

A placa de nome encontra-se na estrutura do tubo em T ou no tubo da estrutura transversal. A placa de nome indica a designação exata do modelo e outras especificações técnicas. Apresente a seguinte informação sempre que encomendar peças de substituição ou uma reclamação:

- Número de Série
- Número da encomenda
- Mês/Ano

EXEMPLO



	Nome do produto/Número SKU.
	A inclinação máxima segura com tubos antiqueda depende das configurações da cadeira de rodas, postura e capacidades físicas do utilizador.
	Símbolo do fabricante
	Largura do assento.
	Profundidade (máxima).
	Carga Máxima.
	Símbolo CE
	Guia do Utilizador.
	Testado para colisões.
	Data de fabrico.
	Número de Série.

Inspeção de Segurança

Como utilizador, será o primeiro a detetar possíveis defeitos. Assim, recomendamos que, antes de cada utilização, inspecione se:

- a pressão dos pneus está correta.
- os travões funcionam corretamente.
- todas as peças removíveis estão apertadas em segurança (por exemplo, apoios de braços, hangers do apoio de pés, eixos de extração rápida...).
- Se existir qualquer dano/defeito/ contacte o seu agente autorizado.

Manutenção

- Inspeccione a pressão dos pneus periodicamente.
- Verifique periodicamente se os pneus estão desgastados e danificados, pelo menos uma vez por ano. Mude os pneus assim que detetar qualquer tipo de dano ou desgaste.
- Verifique se a correia do assento e traseira está desgastada e danificada, pelo menos de três em três meses. Mude estas peças assim que detetar qualquer tipo de dano ou desgaste.
- Verifique periodicamente se os componentes da estrutura e do encosto estão desgastados e danificados, pelo menos uma vez por ano. Mude estas peças assim que detetar qualquer tipo de dano ou desgaste.
- Verifique periodicamente se os travões estão desgastados e danificados, pelo menos uma vez por ano. Verifique se estão a funcionar corretamente e se são fáceis de usar. Mude os travões assim que detetar qualquer tipo de dano ou desgaste.
- Verifique periodicamente se todos os parafusos estão apertados (ver a seção sobre força de torção), pelo menos uma vez por ano. Todos os parafusos vitais para usar a cadeira de rodas em segurança têm porcas de segurança. As porcas de segurança devem ser usadas apenas uma vez e substituídas depois de usadas.
- Deve aplicar uma pequena quantidade de óleo para máquinas de costura nos eixos de extração rápida de 8 em 8 semanas, aproximadamente. Consoante a frequência e tipo de utilização, recomendamos que leve a sua cadeira de rodas a um fornecedor autorizado de 6 em 6 meses para que seja inspecionada por pessoal qualificado.
- A cadeira de rodas deve ser sempre guardada num local seco.

Se quiser guardar a cadeira de rodas durante um longo período de tempo, não são necessárias medidas adicionais. Certifique-se de que a cadeira está guardada à temperatura ambiente, em local seco, protegido da luz do sol forte. Antes de utilizar a cadeira de rodas novamente, deve levá-la a um concessionário autorizado para ser inspecionadas.

CUIDADO!

- Se forem apresentadas definições das forças de torção, recomendamos vivamente a usar um dispositivo de medição do binário, para confirmar se apertou com a força correta.
- Só deve utilizar peças originais autorizadas pela Sunrise Medical. Não utilize peças de outros fabricantes, que não tenham sido autorizadas pela Sunrise Medical.
- Use apenas produtos de limpeza domésticos suaves ao limpar a cadeira de rodas. Use apenas sabão e água quando limpar o estofado do assento e o cinto de segurança.
- Consoante a frequência e tipo de utilização, recomendamos que leve a sua cadeira de rodas a um agente autorizado, pelo menos uma vez por ano, para que seja inspecionada por pessoal qualificado.

CUIDADO!

- Areia, sal e água do mar podem danificar os rolamentos das rodas dianteiras e traseiras. Limpe e seque a cadeira de rodas cuidadosamente, depois de ter estado exposta a estes elementos.
- Se a sua cadeira de rodas se molhar, seque-a depois de usar.

As seguintes peças podem ser removidas e enviadas ao fabricante / agente autorizado para reparação:

- Rodas traseiras:
- Apoio de braços
- apoios de pés
- Tubos Antiqueda

Higiene para Reutilização:

Antes de utilizar de novo a cadeira de rodas, deve prepará-la cuidadosamente. Todas as superfícies em contato com o utilizador devem ser limpas com um spray de desinfecção.

Para o fazer, deve usar um desinfetante da lista de DGHM, p.ex. Antifect Liquid (Schülke & Mayr) para desinfecção rápida à base de álcool para produtos médicos e dispositivos médicos, que precisem de ser desinfetados rapidamente. Preste atenção às instruções do fabricante do desinfetante que usar.

Em geral, não é possível garantir a desinfecção completa das bainhas. Assim, recomendamos que deite fora o assento e correias traseiras para evitar contaminação microbacteriana com agentes ativos de acordo com a lei de proteção contra infeções § 6.

10.0 Dados técnicos

Máx. Altura geral:	1000 mm
Máx. Comprimento geral:	850 mm
Máx. Raio de viragem:	650 mm
Declive seguro máx.:	10°
Peso:	desde 9 kg
Peso sem as rodas traseiras:	a partir de 6,9 kg
Massa da parte mais pesada:	2,1 kg

Máx. Largura:

CURVATURAS	20" RODA TRASEIRA	22" RODA TRASEIRA	24" RODA TRASEIRA
Curvatura 0°	LA + 160 mm	LA + 160 mm	LA + 160 mm
Curvatura 3°	LA + 200 mm	LA + 210 mm	LA + 220 mm
Curvatura 6°	LA + 260 mm	LA + 270 mm	LA + 280 mm
Curvatura 9°	LA + 310 mm	LA + 320 mm	LA + 330 mm

Carga Máxima:

SIMBA carga até 65 kg

Alturas do Assento:

A escolha das estruturas, garfos e rodas giratórias, assim como do tamanho das rodas traseiras (20", 22", 24") determina as alturas a que é possível ajustar o assento.

A cadeira de rodas é compatível com as seguintes normas:

1. Requisitos e teste da estabilidade estática, resistência a impacto e força de fadiga (ISO 7176-8).
2. Resistência à ignição (EN 1021-2).

11.0 Eliminação / Reciclagem de materiais

Se receber a cadeira de rodas sem encargos, ela não lhe pertence. Se a cadeira já não for necessária, para a devolver siga as instruções da organização que lhe disponibilizou a cadeira.

A seção seguinte contém uma descrição dos materiais usados na cadeira de rodas, com vista à eliminação ou reciclagem da cadeira de rodas e da respetiva embalagem.

Normas específicas relativas à eliminação ou reciclagem podem estar em vigor a nível local e devem ser consideradas quando eliminar a cadeira de rodas. (Isto pode incluir a limpeza ou descontaminação da cadeira de rodas antes de a eliminar).

Alumínio: Forquetas das rodas giratórias, rodas, proteções laterais do chassis, estrutura do apoio de braços, apoio de pés, pegas para empurrar,

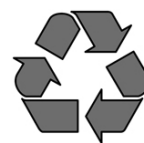
Aço: Pontos de fixação, eixos de extração rápida

Plástico: Pegas, peça de arresto dos tubos, rodas giratórias, apoios de pés, almofadas para braços e roda/pneu de 12 polegadas.

Embalagem: Sacos de plástico de polietileno suave, cartão.

Estofos: Poliéster tecido com cobertura PVC e espuma modificação de combustão expandida.

A eliminação ou reciclagem deve ser feita através de um fornecedor autorizado ou local adequado próprio. Alternativamente, a sua cadeira de rodas pode ser devolvida ao fornecedor para eliminação.



Förord

Bästa kund,

Vi är mycket glada att du bestämt dig för att välja en högkvalitativ produkt från SUNRISE MEDICAL.

Denna bruksanvisning ger dig en mängd tips och idéer som kommer att göra din nya rullstol till en pålitlig och driftsäker partner i din vardag.

Att upprätthålla en bra kundrelation är viktigt för oss på Sunrise Medical. Därför vill vi hålla dig informerad om våra nya och pågående utvecklingsprojekt. Att måna om kunderna betyder för oss bland annat snabb service, så lite byråkrati som möjligt, och ett nära samarbete med kunden. När du behöver reservdelar eller tillbehör, eller bara har en fråga om din rullstol - finns vi här för dig.

Vi vill att du ska vara nöjd med våra produkter och vår service. På Sunrise Medical arbetar vi ständigt på att vidareutveckla produkterna. Detta innebär att du kan komma att uppleva skillnader i vårt produktsortiment vad gäller form eller funktion. Därför kan inga uppgifter eller bilder i denna bruksanvisning utgöra grund för ersättningskrav.

Sunrise Medicals ledningssystem är certifierat enligt EN ISO 9001, ISO 13485 och ISO 14001.



Sunrise Medical deklarerar i egenskap av tillverkare att lättviktsrullstolarna uppfyller riktlinjen 93/42/EWG.

Kontakta din hjälpmedelscentral om du har frågor gällande användning och underhåll av, eller säkerhet kring, din rullstol.

Om det inte finns någon auktoriserad Sunrise Medical-handlare där du bor, och du har frågor till oss, kontakta oss då antingen per brev eller telefon.

Sunrise Medical AB

Box 9232

400 95 Göteborg

Sweden

Tel: +46 (0)31 748 37 00

Fax: +46 (0)31 748 37 37

www.SunriseMedical.se

VIKTIGT:



**ANVÄND INTE DIN RULLSTOL FÖRRÄN DENNA
BRUKSANVISNING HAR LÄSTS OCH FÖRSTÅTTS.**

Användning

Rullstolar används exklusivt för en brukare som inte kan gå eller har begränsad rörlighet, för sitt personliga bruk, inom hemmet och utomhus.

Den maximala brukarvikten (för användaren samt vikt av eventuella rullstolstillbehör) finns angiven på serienummeretiketten, som sitter på krysset eller ramen under sitsen.

Garantier gäller endast om produkten används under angivna förhållanden samt för avsedda syften.

Rullstolens förväntade livslängd är 5 år.

INGA ICKE-STANDARDDELAR får monteras, annat än de som officiellt är godkända av Sunrise Medical.

Lämpliga användare

De olika optionerna samt den modulära designen innebär att den kan användas av de som inte kan gå eller har nedsatt rörelseförmåga på grund av:

- Förlamning
- Benamputation
- Benskada eller benmissbildning
- Ledkontrakturer eller ledsador
- Sjukdomar som hjärt- och cirkulationsproblem, balansrubbingar eller kakexi samt för äldre personer som fortfarande har styrka i den övre delen av kroppen.

Notera kroppsstorlek, vikt, fysisk och psykisk status, ålder samt levnadsförhållanden och -miljö för de patienter som eventuellt ska ordinerats hjälpmedlet.

1.0 Allmänna säkerhetspåpekanden och körbegränsningar	158
2.0 Transport i fordon	161
3.0 Garanti	163
4.0 Hantering	164
5.0 Inställningar/funktioner	164
Tramprör	164
Bromsar	164
Justering av fotplatta	165
Länkhjul	166
Sits	166
Hjulinställning	167
Ryggstöd	168
Sidoskydd	169
Körhandtag	169
Tippskydd	170
Sits	170
Förlängning av sitsbredd och sitsdjup	171
Kryckhållare	171
Däck och montering	171
6.0 Anteria lateralt stöd (Höftbälte)	172
7.0 Felsökning	174
8.0 Märkskylt	174
9.0 Underhåll och skötsel	175
10.0 Tekniska specifikationer	176
11.0 Avfallshantering/återvinning av material	176

3.1 Definitioner av ord som används i denna handbok

Ord	Definition
 FARA!	Att ignorera dessa varningar kan leda till allvarlig skada eller dödsfall.
 VARNING!	Ange till brukaren att om råden inte följs kan detta medföra risk för skada
 VIKTIGT!	Meddela användaren att potentiell skada på utrustningen kan förekomma om varningen ignoreras
OBS:	Generellt råd eller bästa praxis.
	Hänvisning till ytterligare dokumentation

OBS:

Det är inte säkert att de rullstolar som visas och beskrivs i den här handboken i alla detaljer är identiska med din stol. Oavsett eventuella detaljer som skiljer, ska samtliga instruktioner dock gå att tillämpa.

Tillverkaren reserverar sig rätten att utan föregående meddelande ändra vikter, mått eller andra tekniska data som anges i den här handboken. Alla siffror, mått och prestanda som anges i den här handboken är ungefärliga och utgör ej specifikationer.

OBS:

Anteckna gärna adress och telefonnummer till ditt serviceombud i utrymmet nedan.

Skulle din rullstol gå sönder kan du då snabbt komma i kontakt med dem och få hjälp.

Återförsäljarens underskrift och stämpel

1.0 Allmänna säkerhetspåpekanden och körbegränsningar



Rullstolen har konstruerats för maximal säkerhet. Gällande internationella säkerhetsstandarder har uppfyllts eller överträffats. Trots detta kan användaren utsätta sig för risker om rullstolen används på olämpligt sätt. För din egen säkerhet måste följande anvisningar följas.

Oprofessionella eller felaktiga ändringar eller justeringar ökar olycksrisken. Rullstolsanvändare är lika delaktiga i den dagliga trafiken på gator och trottoarer som vem som helst. Vi vill därför påminna dig om att du måste följa alla tillämpliga trafikregler. Var försiktig första gången du använder rullstolen. Lär känna din rullstol.

Före varje användning bör följande kontrolleras:

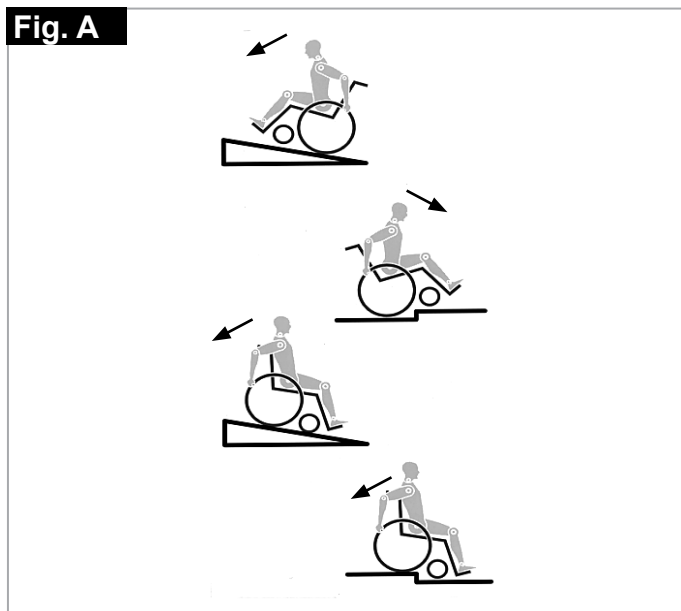
- Drivhjulens snabbkopplingsaxlar
- Kardborrelåsen på sitsar och ryggstöd
- Däck, däcktryck och däckbromsar



Ska du ändra någon stolsinställning är det viktigt att du först läser det aktuella avsnittet i bruksanvisningen.

Gropar eller ojämn terräng kan orsaka att rullstolen välter, särskilt vid uppförs- eller nedförskörning. När du passerar över ett trappsteg eller uppför en sluttning frontalt, bör du luta kroppen framåt.

- Överskrid ALDRIG maxlasten på 65 kg för brukaren och alla föremål som transporteras på rullstolen. Observera viktinformationen för optioner med lättare vikt, som anges separat. Om maxlasten överskrids, kan följden bli att rullstolen skadas eller att du ramlar eller välter eller förlorar kontrollen, vilket kan leda till allvarliga personskador.
- För att undvika tippning och andra farliga situationer bör du först träna dig i att använda din nya rullstol på plan mark med god sikt.
- Rullstolen bör endast användas av en person åt gången. Alla övriga användningar följer inte det avsedda syftet.
- Använd inte fotplattformarna när du stiger i eller ur rullstolen. De ska på förhand vara uppfällda och utsvängda så långt som möjligt åt sidorna.
- Beroende på länkhjulens diameter och inställning samt rullstolens tyngdpunktsinställning kan länkhjulen börja wobble vid höga hastigheter. Det kan leda till att länkhjulen blockeras och rullstolen välter. Kontrollera därför att länkhjulen är korrekt inställda (se kapitlet "Länkhjul").
- Färdas i synnerhet inte i sluttningar utan bromsar, kör med minskad hastighet. Vid högre hastighet, beroende på konfiguration och/eller brukarens kapacitet, kan det uppstå oväntade svängningar i länkhjul (wobble). Detta kan leda till skada hos brukaren
- Ta reda på hur rullstolens egenskaper t.ex. i sluttningar eller vid hinder, påverkas när tyngdpunkten ändras. Gör detta med hjälp av en ledsagare.
- Vi rekommenderar att nybörjare använder tippskydd.
- Tippskydden är avsedda att förhindra att rullstolen oavsiktligt välter bakåt. Under inga omständigheter får de ersätta transithjulen användas för att transportera en person i en rullstol med bakhjulen borttagna.
- Med extrema inställningar (t.ex. bakhjulen i den yttersta främre positionen) och inte perfekt kroppshållning, kan rullstolen välta även om underlaget är jämnt.
- Luta överkroppen framåt vid körning uppför sluttningar och trappsteg.
- Luta överkroppen bakåt vid körning nedför sluttningar och trappsteg.
- Vid användning av mobila tillbehör monterade till rullstolen såsom handcyklar, elektriska påhängsmotorer etc, se till att din rullstol är utrustad med lämplig länkhjulsgaffel, godkänd för detta bruk. Om du har några frågor, kontakta din hjälpmedelscentral.
- Observera att vid vissa konfigurationer kan rullstolen överskrida en bredd på 700 mm. Om så är fallet kan det, under vissa förhållanden, inte vara möjligt att använda vissa eller alla av de tillgängliga nödutgångarna från en byggnad. Det kan vara svårare eller omöjligt att resa med kollektiva färdmedel.





- Häng inte tunga föremål, så som shoppingväskor eller ryggsäckar, på rullstolens körhandtag, nackstöd eller ryggstöd.
- De kan ändra tippunkten och det finns en risk för bakåttippning.
- Om du sträcker dig efter föremål (som befinner sig framför, bakom eller på sidan av rullstolen), sträck dig då inte för långt utanför rullstolen eftersom en tyngdpunktsändring kan medföra att rullstolen välter.
- Använd alltid rullstolen på korrekt sätt. Bromsa t.ex. alltid in när du närmar dig ett hinder (trappsteg, trottoarkant) eller gropar.
- Förflyttning i trappor ska alltid ske med hjälp av en ledsagare. Använd tillgängliga hjälpmedel som t.ex. ramper eller hissar. Finns ingen sådan utrustning tillgänglig måste stolen tippas och skjutas – aldrig bäras – över hindret (av två ledsagare).
- Normalt måste eventuella tippskydd först ställas in så att de inte kan komma i beröring med trappsteg och orsaka en fallolycka. Efteråt måste tippskydden sättas tillbaka till ursprungsläget.
- Ledsagaren får bara fatta tag i säkert monterade delar på rullstolen (t.ex. inte i fotstöden eller sidoskydden).
- Kontrollera att monterade tippskydd befinner sig utanför riskzonen när ramper används.
- Slå till rullstolens bromsar då du parkerar på ojämnt underlag samt vid förflyttning (t.ex. in i en bil).
- Låramputerade användare måste använda tippskydd.
- Kontrollera före färd att du har rätt däcktryck. För drivhjulen är det 3,5 bar (350 kPa). Maxtrycket står angivet på däckets.
- Bromsarna fungerar endast om det är tillräckligt däcktryck och korrekta inställningar har gjorts (se kapitlet om "Däckbromsar").
- Bromsarna är inte avsedda att bromsa en rullande stol med. De är enbart ett slags parkeringsbromsar som ser till att rullstolen inte kan rulla iväg av sig själv. Då du stannar till på ojämnt underlag bör du alltid slå till däckbromsarna så att stolen inte kan komma i rullning. Slå alltid till bägge bromsarna, annars finns det risk att stolen välter.
- Bromsarna är inte avsedda att användas för att bromsa en rullstol i rörelse.
- Använd hissar och ramper så fort tillfälle ges. Om dessa inte finns tillgängliga, bör du begära hjälp från en ledsagare. De bör endast greppa rullstolen i säkra fast monterade delar. Om tippskydd är monterade måste dessa fällas ihop. En rullstol med en person sittande i får endast skjutas, aldrig lyftas.



- Vid skada på sits eller ryggstöd måste du omedelbart byta ut skadade delar.
- Lyft eller bär inte rullstolen i ryggrören eller i körhandtagen.
- Icke godkänd elektronisk utrustning, elektriskt eller mekaniskt drivna hjälpmedel, handcykel eller andra utrustningar som ändrar rullstolens avsedda användning eller struktur ska inte användas.
- Kombinationer med andra medicinska utrustningar måste godkännas av Sunrise Medical.
- Var försiktig med eld, särskilt brinnande cigaretter. Sitsen eller ryggstödet kan fatta eld.
- Vid färd i handikapptransportfordon bör i första hand fordonets egna säten och fastspänningsanordningar användas. Det är enda sättet att tillförsäkra de åkande maximalt skydd i händelse av en olycka. När säkerhetsanordningar från SUNRISE MEDICAL och ett specialutformat säkerhetssystem används kan lättviktsrullstolar användas som säte vid transport i ett specialmonterat fordon. (se kapitlet "Transport").
- Se alltid till att drivhjulets snabbkopplingsaxlar är rätt inställda samt fastlåsta. Om knappen på snabbkopplingsaxeln inte trycks in kan drivhjulet inte tas av.
- Fingrar blir lätt varma vid inbromsning i hög hastighet eller i lång nedförsbacke, speciellt om drivringarna är i lättmetall.
- Om rullstolen står i direkt solljus under en längre tid kan vissa delar (t.ex. ramen, benstöden, bromsarna och klädskydden) bli mycket varma (>41 °C).
- För undvikande av handskador ska du inte föra in handen mellan ekrarna eller mellan drivhjul och däckbroms under körning.
- Då du använder rullstolen utomhus ska du alltid bära skinnhandskar för bästa grepp och för att fingrarna inte ska bli smutsiga eller för varma.
- Kör inte rullstolen i lutningar brantare än 10°.
- Stabiliteten vid körning i lutning beror på stolskonfigurationen samt användarens färdigheter och körsätt. Eftersom användarens färdigheter och körsätt inte kan förutses, kan någon maximal säker lutning inte fastställas. Denna måste därför fastställas av användaren, som därvid tar hjälp av ledsagare för att inte tippa. Vi rekommenderar starkt att oerfarna användare har tippskydd monterade på stolen.
- Kör inte rullstolen på lerigt eller isigt underlag.
- Kör inte med rullstolen där det är förbjudet att gå till fots.
- Med alla rörliga delar finns det en naturlig klämrisk av fingrar. Hantera varsamt.
- Rullstolen bör inte användas i hårt regn, snö, halka eller osunda förhållanden. Iakttag försiktighet om du är tvungen att använda den i dessa situationer.
- Använd inte rullstolen i farliga miljöer.



VARNING!

KVÄVNINGSRISK – Detta förflyttningshjälpmedel använder små delar som under vissa omständigheter kan utgöra en kvävningsrisk för små barn.



VARNING!

Justeringar av din rullstol, särskilt för säkerhetsrelaterade komponenter måste utföras av auktoriserad personal. Detta gäller justeringar av däckbromsar, tippskydd, ryggstöds vinkel och höjd, lägre benhöjd, COG, midjebälte, bakhjuls toe-in och hjullutning, sitshöjd samt toe-in och riktningstabilitet för länkhjulsgaffel.

OBS:

- Såväl knäledsbromsens effektivitet som rullstolens allmänna köregenskaper beror av däcktrycket. Stolen är betydligt mer lättmanövrerad då bakdäcken är ordentligt uppumpade och bägge däcken har samma tryck.
- Se till att däcken har tillräckligt mönsterdjup!
- Observera att du måste följa alla tillämpliga lagar och trafikregler när du kör ute i trafiken.
- Bär ljusa eller reflexförsedda kläder när det är mörkt, så att andra trafikanter ser dig. Se till att reflexerna på sidorna och baktill på stolen är fullt synliga. Vi rekommenderar också att du har aktiv belysning monterad.
- Var alltid rädd om fingrarna när du arbetar med eller justerar rullstolen!
- Det är inte säkert att de rullstolar som visas och beskrivs i den här handboken i alla detaljer är identiska med din stol. Oavsett eventuella detaljer som skiljer, ska samtliga instruktioner dock gå att tillämpa.
- Tillverkaren reserverar sig rätten att utan föregående meddelande ändra vikter, mått eller andra tekniska data som anges i den här handboken. Alla siffror, mått och prestanda som anges i den här handboken är ungefärliga och utgör ej specifikationer.

Livslängd

- Rullstolens förväntade livslängd är 5 år.

2.0 Transport i fordon



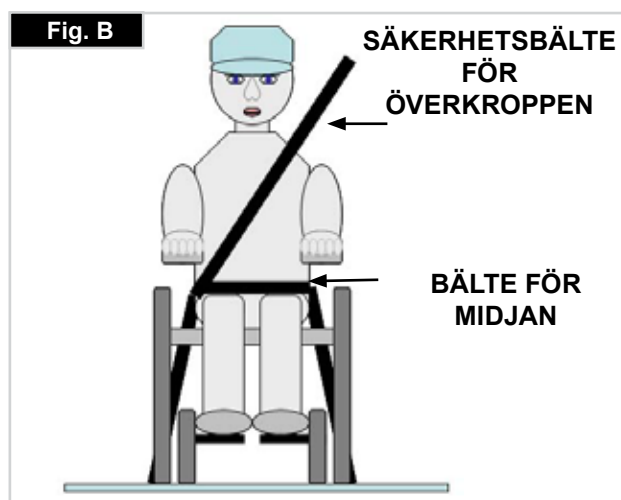
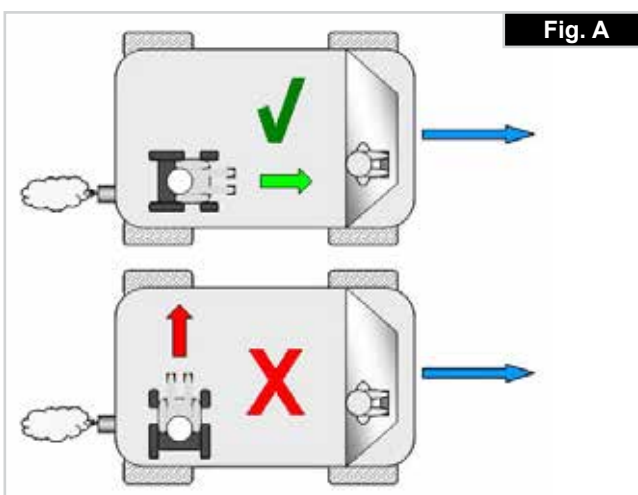
Det finns risk för allvarlig skada eller dödsfall om dessa råd inte följs!

Transportera rullstolen i ett fordon:

En rullstol som transporteras fastspänd i ett fordon ger inte samma skydd och säkerhet som fordonets egna säten. Det rekommenderas alltid att användaren flyttas över till fordonets säte. Det är känt att det inte alltid är möjligt för användaren att flyttas och under dessa förhållanden, när användaren ska transporteras i rullstolen, måste följande råd följas:

1. Säkerställ att fordonet är lämpligt utrustat för transport av passagerare i en rullstol, och att metoden för ingång/utgång är lämpad för din rullstolstyp. Fordonet bör ha golvhållfasthet för att klara den kombinerade vikten av användaren, rullstolen och rullstolstillbehör.
2. Det måste finnas tillräckligt med utrymme runt rullstolen för att komma åt att fästa, dra åt och lossa såväl rullstolens fästankordningar som användarens säkerhetsbälten.
3. Rullstolen med användaren i måste stå i färdriktningen, med såväl säkerhetsfästen för rullstolen som säkerhetsbälte för användaren anbringade (bägge ska uppfylla ISO 10542 punkt 2 eller SAE J2249) enligt respektive säkerhetsanordningstillverkarens instruktioner.
4. Transport av rullstolen i andra positioner har inte testats. Stolen får därför under inga omständigheter transporteras i annan position, t.ex. vinkelrätt mot färdriktningen (Fig. A).
5. Rullstolen bör säkras med ett system med säkerhetsfästen, som uppfyller ISO 10542 eller SAE J2249 med icke-justerbara främre remmar och justerbara bakre remmar, med vanliga Karbiner-band/S-krokar och spänn- och låsanordningar. Dessa fästankordningar består vanligen av 4 individuella remmar som är fästa i rullstolens alla hörn.
6. Fästankordningen bör vara på rullstolens främre ram som anges i bilden på nästa sida, och inte till några andra fästankordningar eller tillbehör, inte t.ex. runt hjulens ekrar, bromsar eller benstöd.
7. Fästankordningen bör fästas så nära som möjligt i 45 graders vinkel och dras åt ordentligt enligt tillverkarens anvisningar.

8. Rullstolens fästpunkter för säkerhetsutrustning får inte modifieras eller bytas ut, inte heller delar i ramen eller annan viktig struktur, utan att tillverkaren konsulterats. Om du inte följer dessa råd gäller inte krocktesten för rullstolen vid transport i ett fordon.
9. Säkerhetsbälte både för midjan och övre bålen bör användas för att fästa användaren för att reducera risken för påverkan på huvud- och bröst av fordonets komponenter och allvarlig risk för skada på användaren och övriga användare av fordonet. (Fig. B) Övre bälens säkerhetsbälte bör monteras på fordonets "B" stöd - om detta inte görs ökar risken för allvarliga skador på användarens mage.
10. Ett nackstöd lämpat för transport (se etiketten på stödet) måste finnas monterat samt hela tiden under färd vara inställt för att ge ett bra skydd.
11. Midjestödbälten bör inte användas som säkerhetsbälte i ett fordon under färd, med undantag av bälten som uppfyller kraven i ISO 7176-19:2001 eller SAE J2249.
12. Användarens säkerhet under färd är beroende av att personen som anbringar fästankordningarna dels har fått erforderlig information om och/eller utbildning i hur dessa fungerar, dels att denne utför uppgiften noggrant.
13. Så långt det låter sig göras ska all extrautrustning avlägsnas från rullstolen och stuvats undan. Det gäller exempelvis:
 14. Kryckor, lösa dynor och bord.
 15. Vinkelställbart benstöd bör inte användas i upphöjd position när rullstolen och användaren transporteras och rullstolen är fastspänd med transport- och användarbälten.
 16. Vinklat ryggstöd bör återföras till en upprätt position.
 17. Handbromsarna måste vara ordentligt åtdragna.
 18. Bälten bör monteras på fordon "B" stöden och bör inte hållas borta från kroppen av rullstolskomponenter som armstöd eller hjul.



Säkerhetsbälten, anvisningar:

1. Säkerhetsbältet för midjan ska sitta lågt över höfterna så att bältets vinkel ligger inom det rekommenderade området 30 till 75 grader från horisontalplanet.
2. Ju brantare (större) vinkel inom det rekommenderade området desto bättre, så länge den inte överstiger 75°. (Fig. C).
3. Säkerhetsbältet för överkroppen måste löpa över skuldran och bröstet så som visas på bilden. Fig. D och E.
4. Säkerhetsbälten ska dras åt så hårt som möjligt utan att användaren upplever obehag.
5. Bältena får inte vara snodda.
6. Säkerhetsbältet för övre bålen måste löpa över axeln enligt bild i Fig. D och E.
7. Fästpunkterna på stolen är på ramens insida framtill, precis ovanför länkhjulen, samt på ramens baksida. Remmarna fästs runt ramens sidor, i skarven mellan ramens horisontalgående och vertikalgående rör. (Se Fig. G - H)
8. Fastspänningssymbolen (Fig. F) på rullstolsramen anger var remmarna ska fästas. Då de främre remmarna spänts fast ska remmarna dras åt, så att stolen står stadigt.

BRUKARVIKT UNDER 22 kg

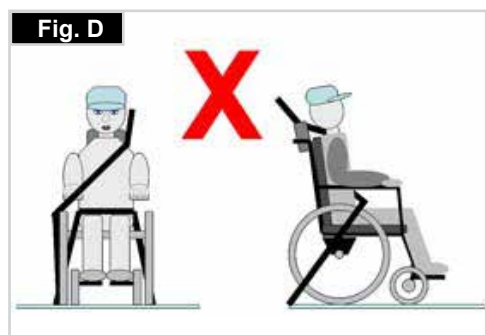
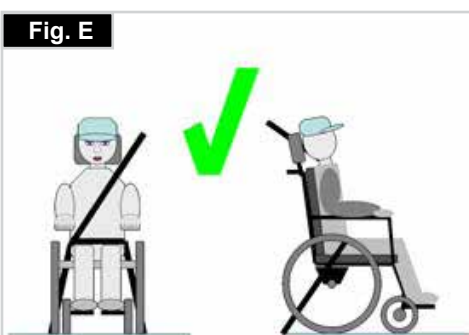
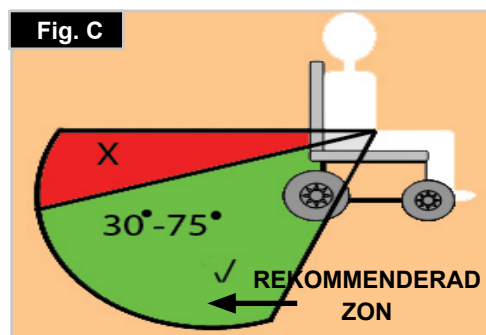
När brukaren som transporteras är barn, med lägre kroppsvikt än 22 kg och fordonet har mindre än åtta (8) sittande passagerare, rekommenderas att de överförs till en UNCE förordning 44 fasthållningsanordning för barn (CRS).

Denna typ av fasthållningsanordning ger en effektivare fasthållningsanordning för passagerarna än den konventionella 3-punkts fasthållningsanordningen och i vissa CRS-system ingår även ytterligare posturalt stöd för att hjälpa till att bibehålla positionen för barnet när det sitter.

I vissa fall kan föräldrar eller vårdgivare överväga alternativet för sina barn att stanna kvar i sin rullstol under transport på grund av graden av postural kontroll och komfort som inrättats i rullstolen. Under sådana förhållanden skulle vi rekommendera att en riskutvärdering utförs av din sjukvårdspersonal och behöriga kompetenta personer.

Transport i fordon – placering av fästpunkter på rullstolen

- Rullstolen säkrad med främre fästpunkter. (Fig. G).
- Positionering för bakre fästpunkt, (Fig. H).



GARANTI

DENNA GARANTI PÅVERKAR INTE DINA JURIDISKA RÄTTIGHETER I NÅGOT AVSEENDE.

Sunrise Medical* erbjuder en garanti, enligt garantivillkoren för rullstolar till sina kunder som täcker följande

Garantivillkor

1. Skulle någon eller några av rullstolens delar behöva repareras eller bytas ut som resultat av ett tillverknings- och/eller materialfel inom 24 månader (5 år för ram och tvärstag) efter leverans till kunden, kan defekta delar repareras eller bytas ut utan kostnad. (Batterier garanteras under en period av 12 månader så att korrekt batteriskötselplan följs)
2. För att använda garantin, kontakta serviceombud eller återförsäljare som godkänts av Sunrise Medical med exakt beskrivning av problemet. Om stolen, då ett problem uppstår, skulle befinna sig alltför långt bort från det anvisade Sunrise Medical-serviceombudet, kan reparationer eller utbyte servas av en annan serviceverkstad som är utsedd av tillverkaren. Rullstolen måste repareras av ett godkänt Sunrise Medical-serviceombud, (återförsäljare).
3. För delar som har reparerats eller bytts ut inom ramen för denna garanti, erbjuder vi en garanti i enlighet med dessa garantivillkor för den återstående garantiperioden för rullstolen enligt med punkt 1).
4. Originala reservdelar som har monterats genom kundens försorg, kommer att ha en 12 månaders garanti, (efter montering), enligt dessa garantivillkor.
5. Förbrukningsartiklar såsom klädsel, däck, innerslangar och liknande delar undantas från garantin, förutom i de fall då tidig förslitning av delen är ett direkt resultat av ett tillverkningsfel.
6. Vi ansvarar inte för reparationer eller utbyte av en rullstol eller del i följande fall:
 - a) Produkten eller delen har inte underhållits eller servats enligt tillverkarens rekommendationer i användar- och/eller servicehandboken.
 - b) Tillbehör som inte kan anses vara originaldelar har använts.
 - c) Rullstolen eller del därav har skadats på grund av slarv, olycka eller olämpligt användningssätt.
 - d) Ändringar/modifikationer av rullstolen eller dess delar som ej utförts enligt tillverkarens anvisningar.
 - e) Reparationer har utförts innan serviceombudet konsulterats.
7. Denna garanti gäller enligt lagen i det land där denna produkt inköptes från Sunrise Medical“

* Innebär Sunrise Medical-anläggningen där produkten inhandlades.

4.0 Hantering

Snabbkopplingsaxlar på drivhjul

Bakhjulen är utrustade med snabbkopplingsaxlar.

Hjulen kan följaktligen tas på och av utan användning av verktyg.

För att ta loss ett hjul trycker du helt enkelt ner snabbkopplingsknappen på axeln (1) och drar ut hjulet (Fig. 3).



Montera drivhjul genom att hålla snabbkopplingsknappen på axeln nedtryckt medan du för in axeln i ramen.

När du släpper knappen låses hjulet på plats. Knappen bör då hoppa tillbaka till utgångsläget.

Transport i rullstolen

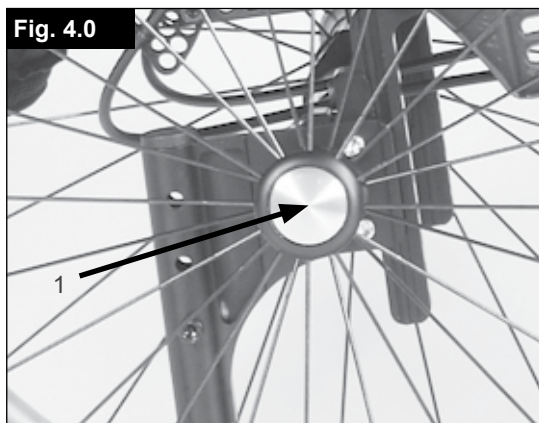
Det mest kompakta utförandet får stolen med drivhjulen avtagna.

Du kan fälla ned ryggstödet genom att dra i snöret som hänger i ryggstödet.

Vid transport av en tom rullstol, bör rullstolen lyftas genom att hålla fast den främre delen av hängmattesitsen och körhandtagen.

Vid transport av en tom rullstol i ett fordon bör den bindas eller vara fastspänd.

Fig. 4.0



5.0 Inställningar/funktioner

Tramprör

Med hjälp av tramprör kan ledsagaren skjuta rullstolen över olika hinder.

Genom att trampa på röret kan ledsagaren skjuta stolen över exempelvis en trottoarkant eller ett trappsteg (Fig. 5.1).

Bromsar



Bromsförmågan kan försämrats av felaktigt monterade eller inställda bromsar samt av alltför lågt däcktryck.

Däckbromsar

Rullstolen är utrustad med två bromsar. De verkar direkt på däcken. Du låser däckbromsarna genom att skjuta fram bägge bromsspakarna till ändläget. Du lossar bromsarna igen genom att dra tillbaka spakarna till utgångsläget.

Bromskraften minskar om:

- däcken är slitna
- däcktrycket är för lågt
- däcken är våta
- bromsarna är feljusterade

Bromsarna är inte avsedda att användas för att bromsa en rullstol i rörelse.

De får aldrig användas för att bromsa en rullstol i rörelse. Bromsa alltid med hjälp av drivringarna. Se till att storleken på mellanrummet mellan däck och däckbroms överensstämmer med specifikationerna. Behöver storleken ändras lossar du skruven (1) och ställer in rätt mellanrum. Därefter drar du åt skruvarna igen (se avsnitt om åtdragningsmoment) (Fig. 5.2).

Standardbroms, standardmodell

(Fig. 5.3)

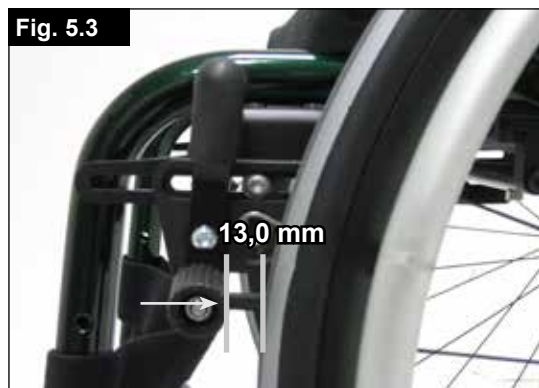
Fig. 5.1



Fig. 5.2



Fig. 5.3



Kompaktbroms

Kompaktbromsarna finns under sitsenheten och används genom att man drar däckbromsarna mot rullstolens bakre del, i riktning mot däck. För att bromsarna ska ta ordentligt måste de dras åt ända till ändläget (Fig. 5.4).



- En felaktigt monterad broms kräver mer kraft för att slå till bromsen. Detta kan medföra att däckbromsarnas förlängningsspak går sönder!
- Bromsens monteringsbultar får inte lossas och/eller återdras.

Safari-däckbroms (däckbroms inbyggd i klädskyddet):

Safari-däckbromsen slås till genom att spaken dras framåt (bort från kroppen från användaren sett).

Bromsen lossas igen genom att spaken dras tillbaka mot kroppen (Fig. 5.5).

Bromsspaksförlängare

En längre spak gör att det krävs mindre kraft för att slå till däckbromsarna. Bromsspaksförlängaren skruvas fast på bromsen.

Den kan lyftas upp och vikas framåt (Fig. 5.6).



En felaktigt monterad broms kräver mer kraft för att slå till bromsen. I värsta fall kan bromsspaksförlängaren då gå av.

Justering av fotplatta



- Stå inte på fotplattan! Även med någon sittande i rullstolen finns det en risk att stolen tippar, med skador som följd.
- Stå inte på fotplattan under transport, det finns då risk för att stolen tippar, med skador som följd.

Justera fotstödet

Genom att avlägsna skruven (1) kan du justera fotstödet för att passa din underbenslängd. Fäst sedan fotstödet igen. Fotstödet vinkeljusteras individuellt (gäller ej fotplatta med fotbåge) genom att lossa skruvarna (2). Sidoskyddet på fotstödet hindrar foten från att glida av misstag. Se till att, efter alla typer av justeringar, samtliga skruvar dras åt på rätt sätt (se avsnittet om åtdragningsmoment) (Fig. 5.7).

Vinkelställbart fotstöd:

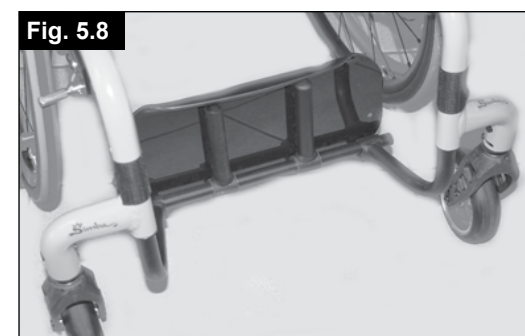
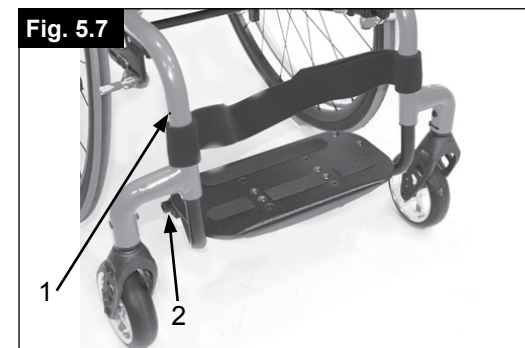
Fotplattan kan fällas upp bakåt och detta kan göra det enklare för användaren att överföras till/från rullstolen. Fotplattan fälls upp genom att höja den främre sektionen. För att återställa fotstödet till sitt ursprungliga läge måste den främre delen vikas nedåt (Fig. 5.8).

Högt monterat fotstöd:

Fotstödet med högt montage monteras på ramens inre del och medger en högre fotstödsplacering (Fig. 5.9).



De skruvar/bultar som används på den här rullstolen har gänglåsviska applicerad på fabriken. Efter att de har bytts ut eller alternativt återsäkrats med gänglås till medelhög spänning.



Länkhjul

Länkhjul, länkhjulsadapter, länkhjulsgaffel

Då och då kan rullstolen börja "dra" åt höger eller vänster, eller länkhjulen börja fladdra.

Här följer några möjliga orsaker:

- Framåt och/eller bakåt hjulrörelse har inte ställts in korrekt.
- Felaktig länkhjulsvinkel
- Fel luftryck i drivhjul eller länkhjul; hjulen rullar inte lätt.

Länkhjulen måste vara korrekt inställda för att rullstolen ska köra helt rakt. Länkhjulen ska alltid ställas in av en auktoriserad återförsäljare. Länkhjulsfästena måste alltid justeras och däckbromsarna kontrolleras varje gång bakhjulens position har ändrats.

Justera länkhjulet

För att säkerställa att de två gafflarna är parallellt inställda kan du helt enkelt räkna de synliga kuggarna på ömse sidor. Efter att du ställt in länkhjulsgaffeln hålls den säkert på plats av kuggarna och kan justeras totalt 16° i steg om 2°. Använd den flata sidan för att hitta en position som är vinkelrät mot marken. Tack vare sin patenterade design kan länkhjulsgaffeln vändas så att den kan återställas till rät vinkel mot marken då sitsvinkeln ändras, (Fig. 5.10 + 5.11).

Ställa in körstabilitet (i sidled)

Lossa insexskruvarna (1) på undersidan av gaffeln. Därefter kan du lossa skruven (2). Nu kan du vrida den svarta hylsan (3) åt vänster eller höger.

Vänster – stolen drar åt vänster

Höger – stolen drar åt höger

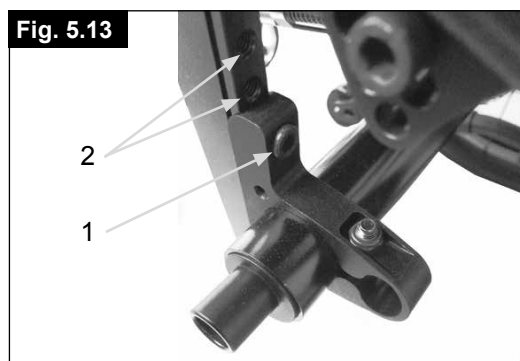
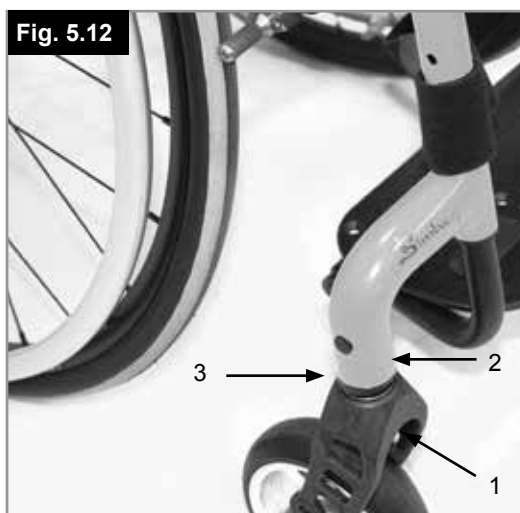
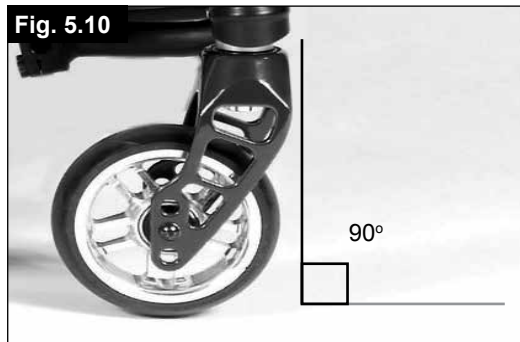
Dra sedan åt skruvarna (2) igen. Ställ in 90° vinkel mellan gaffel och golv.

Dra nu åt skruvarna (1) igen. (Fig. 4.16).



VIKTIGT!

De skruvar/bultar som används på den här rullstolen har gänglåsvätska applicerad på fabriken. Efter att de har bytts ut eller alternativt återsäkrats med gänglås till medelhög spänning.



Sits

Justera sitthöjden

För att justera bakre sitthöjd, lossa och ta bort insexskruven (1) (en på vardera sida), som fixerar klämman, (2) till axelplattan. Ställ in de två fästena (2) på önskad höjd och återplacera de två insexskruvarna. Innan du drar åt skruvarna, vänligen följ instruktionerna för nollställning av toe-in och toe-out.

Dra åt skruvarna till 10 Nm. (Fig. 5.13)



VIKTIGT!

- Det kan bli nödvändigt att justera länkhjulsvinkeln vid inställning av bakre sitthöjd.
- De skruvar/bultar som används på den här rullstolen har gänglåsvätska applicerad på fabriken. Efter att de har bytts ut eller alternativt återsäkrats med gänglås till medelhög spänning.

Hjulinställning

Justera hjulinställningen

Viktigt: För att erhålla bästa möjliga köregenskaper måste drivhjulen ställas in i sitt optimala läge, vilket betyder en korrekt hjulinställning.

Försäkra dig om det genom att kontrollera så att de är parallella inbördes: mät avståndet mellan hjulen i bak- och framkant. Skillnaden mellan de två måtten bör inte överstiga 5 mm.

Behöver du justera hjulen så att de blir parallella, lossar du skruvarna och vrider på axelhylsan. Se till att, efter alla typer av justeringar, samtliga skruvar dras åt på rätt sätt (se avsnittet om åtdragningsmoment).

Spårviddsjustering på SIMBA

Nollställning av toe-in/toe-out:

OBS: En rullstol som har 0° cambervinkel har ingen toe-in eller toe-out. Denna inställning behöver endast göras för 3°, 6° och 9° cambercylindrar.

Termerna "toe-in" (positiv skränkning) och "toe-out" (negativ skränkning) beskriver hur väl drivhjulen är upplinjerade i förhållande till marken. Detta är avgörande för stolens körbarhet. Normalt motstånd eller rullmotstånd erhålls med toe-in inställt på noll.

Så här nollställer du toe-in/toe-out: Lossa insexskruvarna (1) (en på varje sida) som håller ihop vinkelrörsfästet. Titta på kulan i horisontalplanet (2), vrid axeln (3) tills kulan befinner sig i mitten. Nu är toe-in ställt till noll.

Innan du drar åt skruvarna (1), kontrollera att camberröret är centrerat i sidled. Innan du drar åt skruvarna (1), kontrollera att camberröret är centrerat i sidled. Dra åt skruvarna till 10 Nm (Fig. 5.14 - 5.16).

Fig. 5.14

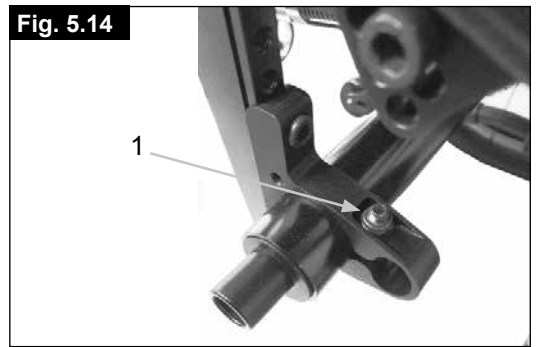


Fig. 5.15

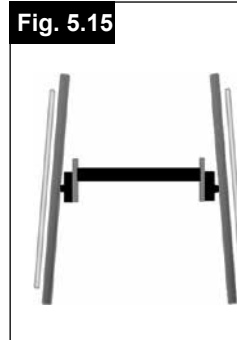
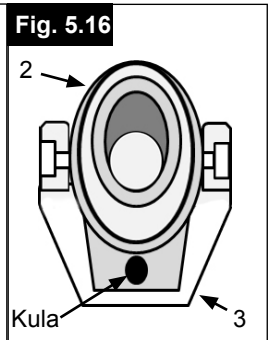


Fig. 5.16



Justera hjulbasen



Vid justering av den bakre hjulbasen ska du justera ett hjul i taget. Om hjulen på båda sidor lossas samtidigt, kommer inställningarna för toe-in/toe-out att ändra sig. Vid justering av den bakre hjulbasen kan camberns delar (4) flyttas som ett teleskoprör in i eller ut ur camberröret (5) och låsas på plats i ändläget. Lossa skruven (6) (närmast camberröret) på stolens vänstra sida.

Flytta snabbkopplingsaxeln inåt eller utåt för att erhålla önskad hjulbas. Dra åt skruvarna till 10 Nm. Upprepa förfarandet på stolens andra sida och justera mellanrummet till samma storlek som på vänstersidan (Fig. 5.17).



De skruvar/bultar som används på den här rullstolen har gänglåsavska applicerad på fabriken. Efter att de har bytts ut eller alternativt återsäkrats med gänglås till medelhög spänning.

Fig. 5.17



Ryggstöd

Vinkeljusterbart ryggstöd

Ryggstödsvinkeln ställs in genom att montera ryggstödet i olika lägen. Skruvarna (1) måste lossas och avlägsnas på båda sidor. Nu kan du ändra ryggstödet infästning tills du erhållit önskad vinkel. Därefter måste skruvarna (1) dras åt igen (Fig. 5.18)



VIKTIGT!

Skruvarna måste dras åt igen, annars går vinkeljusteringen förlorad.

Fällbart ryggstöd

Släpp ryggstödet genom att dra i remmen och på samma gång, dra det framåt för att fälla ner det. Du återställer ryggstödet till sitt ursprungliga läge genom att dra det så långt bakåt som det går, tills det låses fast på bägge sidor.



FARA!

Om ryggstödet dras alltför långt bakåt kan användaren riskera att falla baklänges vid inbromsning. Se därför till att båda sidor av ryggstödet låsts fast i läge.



VARNING!

Se till att du inte klämmer fingrarna när du viker ned ryggstödet.

Ryggstöd i avslappningsläge

Avslappningsläget erhålls vid en ryggstödsvinkel på 10°. Lös gör ryggstödet genom att dra i snöret och dra det bakåt tills båda ryggstödsrören låses på plats.



VARNING!

Om ryggstödet dras alltför långt bakåt kan användaren riskera att falla baklänges vid inbromsning. Se därför till att båda sidor av ryggstödet låsts fast i läge.



VARNING!

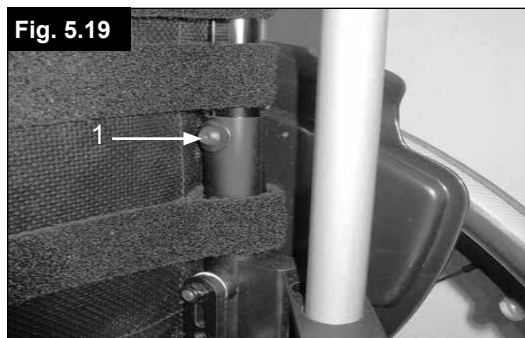
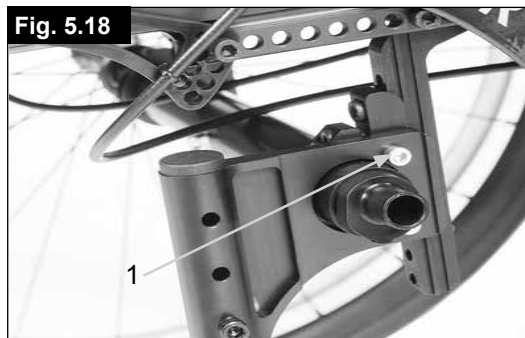
Se till att du inte klämmer fingrarna när du viker ned ryggstödet.

Ställbar hängmatterygg

Ryggstödet kan spänningsjusteras med hjälp av flera band. Ryggstopningen kan nås från insidan via en öppning och användaren kan själv anpassa mängden stoppning.

Höjdjusterbart ryggstöd

Ryggstödshöjden kan varieras i steg om 2,5 cm. Justeringsområdena är 20-25 cm, 25-30 cm, 30-35 cm och 35-40 cm. Lossa skruvarna (1) och ställ in ryggstödet på önskad höjd. Därefter drar du åt skruvarna igen (se avsnitt om åtdragningsmoment) (Fig. 5.19).



Sidoskydd

Klädskydden på SIMBA har designats kring de nya inbyggda bromsarna. Om du inte har beställt de inbyggda klädskyddsbrömsarna är öppningarna i klädskydden försedda med lock, (Fig. 5.20).



Om klädskydden används utan dessa lock finns det risk för skador. Om klädskyddet inte är försedd med någon inbyggd broms, måste det sitta ett lock där.

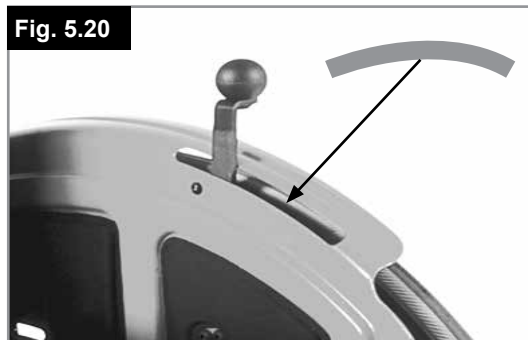
Armstöd

Armstödet skruvas på plats på klädskyddet på anvisad plats. Armstödet är höjjusterbart.

Bord

Ett terapibord kan endast användas i kombination med armstödet. Det fästs på armstödet och placeras över bägge armstöden.

Fig. 5.20



Körhandtag



En rullstol med en person sittande i får endast skjutas, aldrig lyftas.

Höjjusterbara körhandtag

Körhandtagen är låsta med stift för att de inte ska glida ur. Lossa snabbkopplingsspaken (1) och justera sedan körhandtagen (2) till önskad höjd. När du drar i spaken kan du höra mekanismen låsas upp. Nu kan du enkelt flytta körhandtagen till önskat läge.

Med muttern på spakens motsatta sida bestämmer du hur hårt körhandtagen spänns fast. Med muttern på spakens motsatta sida bestämmer du hur hårt körhandtagen spänns fast. Vrid körhandtaget från sida till sida före användning för att säkerställa att det sitter tillräckligt hårt fast.

Spänn alltid spänningsspaken (1) ordentligt efter utförd höjjustering. Om spaken inte är ordentligt fastsatt finns det risk för skador vid förflyttning nedför trappor (Fig. 5.21 + 5.21.1).



Om de höjjusterbara körhandtagen inte är korrekt monterade kan de börja glappa eller flytta sig ur sitt avsedda läge. Se därför till att skruvarna är ordentligt åtdragna.

Fig. 5.21



Fig. 5.21.1

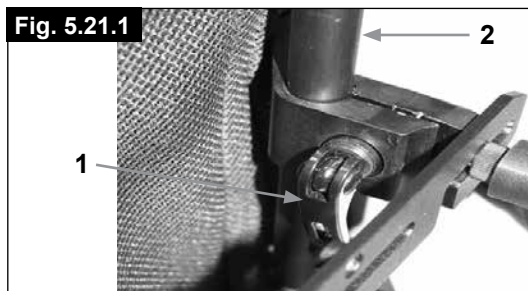
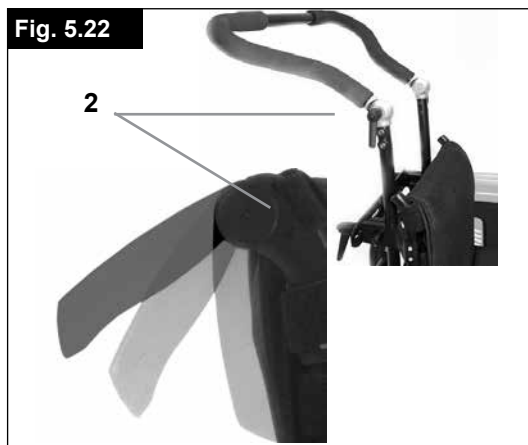


Fig. 5.22



Tippskydd

Sunrise Medical rekommenderar att alla stolar ska vara utrustade med tippskydd. Vid montering av tippskydd, använd momentet 16 Nm (Fig. 5.23)

1. Passa in tippskydden i hållarna:

- Tryck på den bakre knappen på tippskyddsadaptern så att bägge låsstiften dras inåt.
- Passa in tippskydden (1) i spåren i adaptern.
- Vrid tippskydden nedåt tills låsstiften låses fast i hållaren.
- Montera det andra tippskyddet på samma sätt.

2. Justera tippskydden:

För att uppnå korrekt markfrigång på cirka 2,5 cm till 5,0 cm, måste tippskydden höjas eller sänkas.

- Tryck på frigöringsknappen på tippskyddet så att bägge låsstiften dras inåt.
- Flytta innerröret uppåt eller nedåt och lås fast det i de avsedda hålen.
- Släpp knappen.
- Montera det andra tippskyddet på samma sätt.
- De två hjulen ska sitta på samma höjd.



Om tippskydden inte är påmonterade, eller om de monterats felaktigt, finns det risk för att stolen tippas med skador som följd.

Fig. 5.23

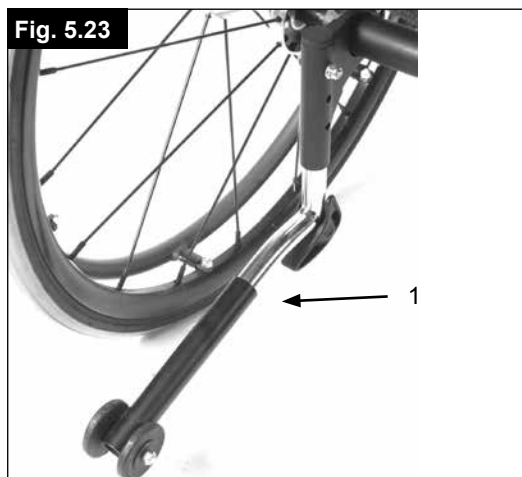
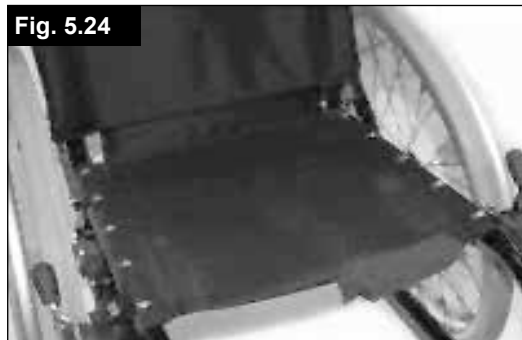


Fig. 5.24



Sits

Hängmattesits:

Avlägsna skruvarna på sitsens vänstra sida.

Ställ in önskad spänning i sitsen genom att justera korbormaterialet. Dra åt skruvarna igen.

Om det är svårt att få skruvarna på plats igen, kan du försöka lokalisera hålen med ett spetsigt föremål. Försäkra dig om att plastbotten är i rätt läge innan du drar åt skruvarna igen, (5.24).

Förlängning av sitsbredd och sitsdjup

Sitsens breddjustering:

Sitsens bredd kan förlängas med upp till 2 cm utan att det krävs några nya delar:

- Skruvarna i fotplatta och axel, plus två stabiliseringsstänger på ryggstödet och under sitsen, måste lossas.
- Teleskoprören på fotplattan, stabiliseringsstänger och axelrör, måste förlängas för att passa den nya sitsbredden. Därefter ska skruvarna dras åt igen.
- Hängmatterygg och -sits lossas med hjälp av kardborrarna och ställs in på näst största sitsbredd.

Sitsdjupsförlängning:

Sitsens bredd kan förlängas med upp till 4 cm utan att det krävs några nya delar:

Lossa och avlägsna skruvarna, (A - fig. 5.25), på båda sidor om rullstolen på sitsramen och flytta hela komponenten, inklusive ryggstödsrör till den krävda positionen.

Montera bultarna "A" och dra åt.

Fig. 5.25

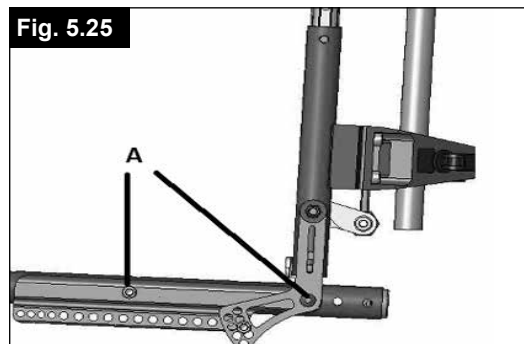


Fig. 5.26



Fig. 5.27



Kryckhållare

Kryckhållare

Detta tillbehör är avsett för transport av kryckor på rullstolen. Hållaren har ett kardborrespänne där kryckor eller andra hjälpmedel kan sättas fast, (5.26).



Försök aldrig använda eller ens lyfta ur kryckor eller andra föremål ur hållaren då rullstolen är i rörelse.

Däck och montering

Massiva gummidäck är standard, (5.27).



Vid montering av luftfyllda däck:

Har du luftfyllda däck ska du se till att alltid ha rätt lufttryck, då rullstolens köregenskaper annars kan påverkas negativt. Om däcktrycket är för lågt ökar rullmotståndet och det krävs mer kraft för att driva fram rullstolen. Lågt däcktryck påverkar även manöverförmågan negativt. Om trycket däremot är för högt kan däckets spricka. Det optimala däcktrycket står angivet utanpå själva däckets.

Däck kan monteras på samma sätt som för vanliga cykeldäck. Innan du sätter på en ny innerslang ska du kontrollera att fälgkanten och däckets insida är fria från främmande föremål. Kontrollera trycket sedan du satt på eller reparerat ett däck. Det är viktigt för din säkerhet och för rullstolens prestanda att lufttrycket bibehålls och att däcken är i god kondition.

6.0 Anteria lateralt stöd (Höftbälte)

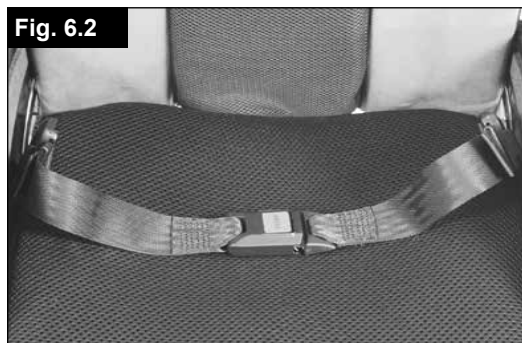


Innan du använder rullstolen ska du se till att höftbältet inte är utslitet. Höftbältet måste kontrolleras dagligen så att det är korrekt justerat, inte sitter i kläm någonstans samt inte uppvisar onormalt slitage. Kontrollera alltid att höftbältet är korrekt säkrat och justerat innan du tar det i bruk. Om bältet är för löst, kan detta medföra att brukaren halkar ned från rullstolen och riskerar kvävning eller allvarlig skada.

Positioneringsbältet ska sitta monterat på rullstolen så som visas på bilderna. Det består av två halvor. Bältet sitter fast med hjälp av sitsstödet befintliga fästskruv, som går genom öglan på bältet. Bältet löper under den bakre delen av sidopanelen, (1). (Fig. 6.1)

Justera bältet så att spännena befinner sig i mitten av sitsen. (Fig. 6.2).

Om du vill eftermontera positioneringsbältet, kontakta din auktoriserade Sunrise Medical-återförsäljare.



Justera midjebältet enligt följande för att passa användarens behov:

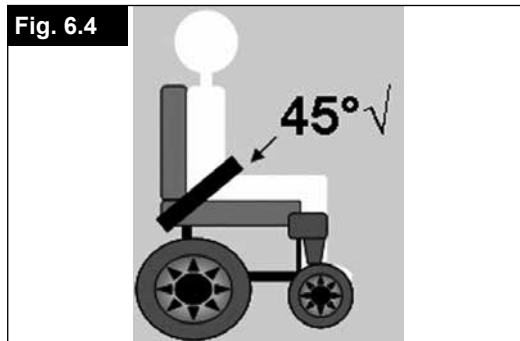
För att minska bälteslängden	För att öka bälteslängden
Mata tillbaka bältet genom hanen på fästspännet samt glidspännena. Se till att bältet inte är snott vid hanen på fästspännet.	Du förlänger bältet genom att mata ut mer bälte genom glidspännena och genom hanen på fästspännet.




När det är fastsatt kontrollera utrymmet mellan höftbältet och brukare. När bältet är korrekt justerat ska du nått och jämnt få plats med ena handflatan. (Fig. 6.3).

Höftbältet ska fästas så att bältet sitter i 45 graders vinkel över höfterna på användaren. Då bältet är rätt inställt ska användaren sitta upprätt och så långt bak som möjligt. Höftbältet ska sitta så att användaren inte kan glida nedåt i sitsen.


(Fig. 6.4)



	
Så här knäpper du spännet: Tryck fast hanen på fästspännet i honspännet.	Så här lossar du bältet: Tryck på spännet ovan- och underifrån så som visas på bilden och dra försiktigt isär.

VARNING!

- Är du osäker på hur du ska använda bältet på rätt sätt kan du gärna rådfråga din terapeut, rullstolsleverantör, vårdare eller ledsagare.
- Höftbältet får endast monteras av en auktoriserad Sunrise Medical-handlare eller -återförsäljare.
- Bältet bör endast justeras av en yrkesman alternativt en auktoriserad Sunrise Medical-handlare eller -återförsäljare.
- Höftbältet måste kontrolleras dagligen så att det är korrekt justerat, inte sitter i kläm någonstans samt inte uppvisar onormalt slitage.
- Sunrise Medical rekommenderar ej transport av person i ett fordon med detta bälte som enda säkerhetsåtgärd.

 Mer information om transport finns i avsnittet om transport.

Underhåll:

Kontrollera regelbundet om midjebälte eller fästdelar uppvisar tecken på slitage eller skador. Byt ut eventuella slitna delar.

VARNING!

Positioneringsbältet justeras för att passa användaren enligt anvisningarna ovan. Sunrise Medical rekommenderar att bältets längd och passform kontrolleras regelbundet, då användaren lätt kan komma att ändra bälteslängden oavsiktligt.

7.0 Felsökning

Rullstolen drar åt något håll

- Kontrollera däcktrycket
- Kontrollera att hjulen snurrar obehindrat (lager, axlar)
- Kontrollera länkhjulsvinkeln.
- Kontrollera att bågge länkhjulen har ordentlig markkontakt

Länkhjulen börjar wobbla/fladdra

- Kontrollera länkhjulsvinkeln.
- Se till att alla skruvar är åtdragna, dra åt vid behov (se avsnittet om åtdragningsmoment).
- Kontrollera att bågge länkhjulen har ordentlig markkontakt

Sitsens tvärgående ramrör går inte att trycka fast på plats

- Om stolen är ny kan det hända att stolens eller ryggstödet klädsel är väldigt styv. Det blir bättre med tiden.

Rullstolen är svår att fälla ihop

- Ryggstödet klädsel är för hård. Lossa efter behov.

Rullstolen gnisslar och skramlar

- Se till att alla skruvar är åtdragna, dra åt vid behov (se avsnittet om åtdragningsmoment).
- Applicera sparsamt med smörjmedel på de ställen där rörliga delar kommer i kontakt med varandra

Rullstolen börjar wobbla/fladdra

- Kontrollera länkhjulsvinklarna.
- Kontrollera däcktrycket
- Se till att bågge drivhjulen har samma inställning

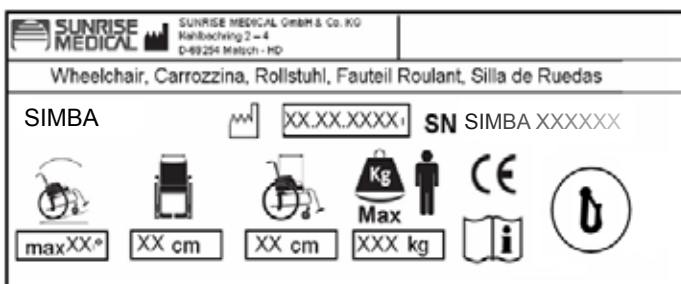
8.0 Märkskylt

Märkskylt

Märkskylten sitter antingen på ett av sitsrören eller på ett tvärgående ramrör. Uppgifterna på den finns även på en etikett i bruksanvisningen. På märkskylten anges den exakta modellbeteckningen samt andra tekniska specifikationer. Om du behöver kontakta oss för att beställa reservdelar, eller i ett garantiärende, behöver vi följande uppgifter:

- Serienummer
- Ordernummer
- Månad/år

EXEMPEL



	Produktnamn/SKU-nummer.
	Maximal säker lutning med tipskydd monterade beror på rullstolens inställning, kroppsställning och fysisk kapacitet hos brukaren.
	Tillverkarens symbol
	Sittbredd.
	Djup (maximum).
	Maxlast.
	CE-märkning
	Bruksanvisning.
	Krocktestad.
	Tillverkningsdatum.
	Serienummer.

Säkerhetskontroll

Eftersom användaren kommer att vara den första person som ser några eventuella felaktigheter. Rekommenderar vi därför att du före sådan användning, kontrollerar följande:

- att däcktrycket är korrekt.
- att bromsarna fungerar korrekt.
- att alla löstagbara delar är säkert fastsatta (t.ex. armstöd, fotstödshängare, snabbkopplingsaxlar ...).
- Om det finns någon skada/defekt, var god kontakta din hjälpmedelscentral.

Underhåll

- Kontrollera däcktryck med regelbundna mellanrum.
- Kontrollera däcken för slitage och skador med regelbundna mellanrum, minst en gång om året. Byt däcken så snart det uppstår något tecken på skada.
- Kontrollera sits och hängmatterygg för slitage och skada med regelbundna mellanrum, minst en gång om året. Byt ut delar som visar tecken på skada eller slitage.
- Kontrollera alla ram- och ryggstödskomponenter för slitage och skada med regelbundna mellanrum, minst en gång om året. Byt ut delar som visar tecken på skada eller slitage.
- Kontrollera bromsarna för slitage och skador med regelbundna mellanrum, minst en gång om året. Kontrollera att de fungerar korrekt och är enkla att använda. Byt ut bromsarna så snart det uppstår något tecken på skada eller slitage.
- Kontrollera att alla bultar är säkrade (se avsnitt om vridmoment) med regelbundna intervaller, minst en gång om året. All skruvar som är viktiga för en säker användning av rullstolen har säkerhetsmuttrar. Säkerhetsmuttrar ska bara användas en gång. De ska ersättas med nya då de en gång skruvats loss.
- Du bör applicera små mängder symaskinsolja på snabbkopplingsaxlarna ungefär var åttonde vecka. Vi rekommenderar att du tar rullstolen till din auktoriserade återförsäljare var sjätte månad för översyn; frekvensen är emellertid beroende av hur ofta och på vilket sätt stolen används.
- Rullstolen bör alltid förvaras på torr plats.

Om du vill förvara rullstolen under en lång tidsperiod krävs inga ytterligare åtgärder. Se till att rullstolen förvaras vid rumstemperatur på en torr plats som är skyddad från starkt solljus. Innan du använder den igen, bör rullstolen kontrolleras av auktoriserad personal.



- Om vridmomentets inställningar är givna, rekommenderar vi starkt att du använder en mätanordning för vridmoment, för att kontrollera att du har dragit åt till korrekt vridmoment.
- Du bör endast använda genuina delar godkända av Sunrise Medical. Använd inte delar från andra tillverkare som inte har auktoriserats av Sunrise Medical.
- Använd enbart mildt hushållsrengöringsmedel att rengöra rullstolen med. Använd endast tvål och vatten när du rengör sitsens klädsel och positioneringsbälte.
- Beroende på användning, rekommenderar vi att du regelbundet tar rullstolen till din hjälpmedelscentral, men åtminstone inom ett år, för att underhålla den av utbildad personal.



- Sand, salt och havsvatten kan skada lagren i länkhjulen och drivhjulen. Rengör och torka rullstolen noggrant, efter exponering för dessa element.
- Skulle stolen bli våt bör du torka av den snarast möjligt.

Följande delar kan avlägsnas och skickas på reparation till tillverkaren/återförsäljaren:

- Drivhjul
- Armstöd
- Fotplatta
- Tippskydd

Hygien vid återanvändning:

Ska rullstolen användas som begagnad måste den först förberedas noga. Alla ytor som användaren kommer i kontakt med måste behandlas med desinficeringspray.

Till detta bör du använda ett effektivt och snabbverkande alkoholbaserat desinficeringsmedel från DGHM-listan, t.ex. Anifect Liquid (Schülke & Mayr) avsett för medicinprodukter. Följ tillverkarens anvisningar för det desinfektionsmedel du använder.

Det är ofta svårt att åstadkomma fullgod desinficering på sömmar. Därför rekommenderar vi att du gör dig av med sits- och ryggklädsel, då remmarna i dessa kan vara smittförande.

10.0 Tekniska specifikationer

Max. Total höjd:	1000 mm
Max. Totallängd:	850 mm
Max. Svängradie:	650 mm
Maximal lutning:	10°
Vikt:	från 9 kg
Vikt utan bakhjul:	från 6,9 kg
Vikt av tyngsta del:	2,1 kg

Max. Bredd:

KAMBRING	20" BAKHJUL	22" BAKHJUL	24" BAKHJUL
0° kambring	SB + 160 mm	SB + 160 mm	SB + 160 mm
3° kambring	SB + 200 mm	SB + 210 mm	SB + 220 mm
6° kambring	SB + 260 mm	SB + 270 mm	SB + 280 mm
9° kambring	SB + 310 mm	SB + 320 mm	SB + 330 mm

Maxlast:

SIMBA upp till 65 kg

Sitthöjder:

Valet av ramar, gafflar och länkhjul och även bakhjulsstorleken (20", 22", 24") avgör vilka sitthöjder som kan erhållas.

Rullstolen uppfyller följande standarder:

1. Krav och tester för statisk stabilitet, slaghållfasthet och utmattningshållfasthet (ISO 7176-8).
2. Brandmotstånd (EN 1021-2).

11.0 Avfallshantering/återvinning av material

Om du fått disponera rullstolen utan kostnad så tillhör den inte dig. Om du inte längre behöver stolen, ska du följa de returinstruktioner du fått av organisationen som gav dig stolen. I följande avsnitt finns en beskrivning av materialen i rullstolen och dess förpackning, med avseende på en eventuell kassering eller återvinning av rullstolen med förpackning.

Följ vid kasseringsförfarandet de eventuella lokala lagar och förordningar som gäller där du bor avseende avfallshantering och återvinning. (Dessa lagar reglerar eventuellt även hur stolen ska rengöras eller saneras före kasseringen.)

Aluminium: Länkhjulsgafflar, hjul, ramens sidoskydd, armstödsram, fotstöd, körhandtag

Stål: Förankringspunkter, snabbkopplingsaxel

Plast: Handgrepp, rörpluggar, länkhjul, fotplattor, armdynor samt 12" hjul/däck.

Förpackningsmaterial: Plastpåsar av mjuk polyeten, kartong.

Klädsel: Vävt polyester med PVC coatings och expanderat förbränningsmodifierat skum.

Avfallshantering eller återvinning bör göras genom en licensierad agent eller auktoriserad plats för avfallshantering. Alternativt kan din rullstol returneras till din återförsäljare för avfallshantering.



Forord

Kjære kunde,

Takk for at du valgte et kvalitetsprodukt fra SUNRISE MEDICAL.

Denne brukerveiledningen vil gi en rekke råd og tips, slik at den nye rullestolen kan bli en trygg og pålitelig del av hverdagen din.

Hos Sunrise Medical mener vi det er svært viktig å opprettholde et nært forhold til kundene våre. Vi vil derfor gjerne holde deg oppdatert om nye produkter som for tiden utvikles av selskapet vårt. Et godt kundeforhold betyr også at vi kan tilby rask service med minst mulig papirarbeid. Hvis du trenger deler eller tilbehør, eller ganske enkelt har et spørsmål om rullestolen din, vil vi alltid være behjelpelige.

Vi vil at du skal være tilfreds med våre produkter og tjenester. Sunrise Medical arbeider derfor målbevisst med å kontinuerlig utvikle sine produkter. På grunn av dette kan det forekomme endringer til produktutvalget vårt når det gjelder form, teknologi og utstyr. Følgelig kan det ikke fremlegges krav på bakgrunn av informasjonen eller bildene i denne brukerveiledningen.

SUNRISE MEDICALs styresystem er sertifisert etter EN ISO 9001, ISO 13485 og ISO 14001.



Som produsent erklærer SUNRISE MEDICAL at deres lettvektstoler er i samsvar med retningslinjene i 93/42/EWG.

Vennligst ta kontakt med din lokale Hjelpemiddelsentral eller SUNRISE MEDICAL-representant dersom du har spørsmål om bruk, vedlikehold eller sikkerhet av rullestolen.

Hvis du ikke får svar der eller dersom du har spørsmål om noe, kan du skrive eller ringe til Sunrise Medical på:

Sunrise Medical AS

Delitoppen 3

1540 Vestby

Norge

Telefon: +47 66 96 38 00

Faks: +47 66 96 38 80

post@sunrisemedical.no

www.SunriseMedical.no

VIKTIG:



IKKE BRUK DENNE RULLESTOLEN FØR DU HAR LEST IGJENNOM OG FORSTÅTT HELE BRUKERVEILEDNINGEN.

Bruk

Rullestoler skal brukes innendørs eller utendørs til eget formål av personer som ikke kan gå eller som har begrenset mobilitet, enten ved at brukeren kjører stolen selv eller at den skyves av en ledsager.

Den maksimale vektgrensen (inkludert bruker og eventuelt tilleggsutstyr som er montert på rullestolen) er oppgitt på etiketten med serienummeret, som er festet på krysset eller stabiliseringsstaget under setet.

Garantien vil kun gjelde dersom produktet er brukt under de spesifiserte forholdene og de tiltenkte bruksområdene. Rullestolen har en forventet levetid på ca. 5 år, avhengig av utført vedlikehold og type bruk. UORIGINALE DELER skal ikke monteres på rullestolen, med mindre de er uttrykkelig godkjent av Sunrise Medical.

Bruksområde.

Forskjellig utstyr samt stolens modulære konstruksjon gjør at den kan brukes av personer med nedsatt gangfunksjon eller med begrenset mobilitet pga.

- Lammelse
- Amputasjon (beinamputasjon)
- Skade i lemmer/deformitet
- Leddsykdommer/leddskader
- Sykdom, slik som hjertelidelser, sirkulasjonsproblemer, balanseproblemer eller kakeksi, samt eldre personer som har styrke i overkroppen.

Ved vurdering må også vedkommendes kroppsstørrelse, vekt, fysiske og psykiske evner, alder, levesett og miljø tas med i betraktning.

Innholdsfortegnelse





1.0 Generell sikkerhet og bruksrestriksjoner	179
2.0 Transport	182
3.0 Garanti	184
4.0 Håndtering	185
5.0 Alternativer	185
Vipperør	185
Bremser	185
Justere fotplaten	186
Svinghjul	187
Sete	187
Hjulstilling	188
Ryggstøtte	189
Klesbeskytter	190
Kjørehåndtak	190
Tippesikringer	191
Sete	191
Endring av setebredde og setedybde	192
Krykkeholder	192
Hjul og montasje	192
6.0 Sideveis støtte (hoftebelte)	193
7.0 Feilsøking	195
8.0 Merking	195
9.0 Vedlikehold og stell	196
10.0 Tekniske spesifikasjoner	197
11.0 Deponere /resirkulere materialer	197

MERK:

Rullestolen som er vist og beskrevet i denne håndboken er ikke nødvendigvis identisk med din egen modell. Alle veiledninger er likevel relevante, til tross for enkelte detaljforskjeller. Produsenten forbeholder seg retten til å endre vekt, mål eller andre tekniske data i denne brukerveiledningen uten forvarsel. Alle tall, mål og kapasiteter vist i denne håndboken er omtrentlige og gir ingen presise tekniske spesifikasjoner.

Definisjoner

3.1 Forklaring av ord som er brukt i denne veiledningen

Ord	Definisjon
 FARE!	Advarsel om potensiell fare for personskade eller dødsfall dersom advarselen ikke overholdes
 ADVARSEL!	Advarsel om potensiell fare for personskade dersom advarselen ikke overholdes
 ADVARSEL!	Advarsel om potensiell fare for produktskade dersom advarselen ikke overholdes
MERK:	Generelle råd
	Referanse til tilleggsdokumentasjon

MERK:

Vennligst skriv inn adressen og telefonnummeret til det lokale HMS eller serviceverkstedet ditt i rubrikken nedenfor. Kontakt dem ved eventuelle uhell og informer om hva som har skjedd, slik at du raskt kan få nødvendig hjelp.

Forhandlers underskrift og stempel

1.0 Generell sikkerhet og bruksrestriksjoner



Denne rullestolen er konstruert og produsert til å gi maksimal sikkerhet. Gjeldende internasjonale sikkerhetsstandarder har blitt fulgt eller overgått. Brukeren skal uansett aldri utsette seg selv for fare ved å bruke rullestolen på feil måte. For din egen sikkerhet må du lese igjennom og overholde følgende retningslinjer.

Uprofesjonelle eller ukorrekte tilpasninger eller justeringer kan øke faren for ulykker. Som rullestolbruker er du også en del av trafikken på veier og fortauer, på lik linje med alle andre trafikkanter. Du regnes som gående selv om du kjører rullestol. Vi minner derfor om at du må følge alle trafikkreglene. Husk refleks i mørket!
Vær forsiktig når du bruker rullestolen for første gang. Gjør deg kjent med den.

Før hver bruk av rullestolen, skal følgende kontrolleres:

- Hurtigkoblinger på drivhjul
- Borrelåser på sete og ryggstøtte
- Hjul, lufttrykk i dekk og bremser.

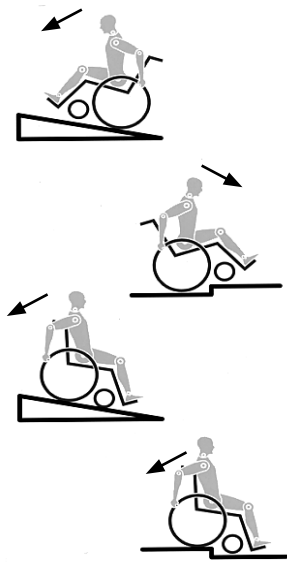


Det er viktig å lese det korresponderende avsnittet i denne brukerveiledningen før rullestolen justeres på noen som helst måte.

Huller i veien eller ujevn grunn kan føre til at rullestolen velter, spesielt når den kjøres oppover eller nedover bakker. Du skal lenne kroppen forover når du kjører forover over et trinn eller opp en helling.

- Brukeren pluss gjenstander som medbringes må ALDRI overstige den maksimale vektgrensen på 65 kg. Vær oppmerksom på vektinformasjonen for lettere tilleggsutstyr, som er oppgitt separat. Hvis den maksimale vektgrensen overstiges kan stolen skades, velte eller tippe, eller du kan miste kontroll over den. Dette kan igjen kan føre til alvorlige personskader for deg og andre personer.
- For å unngå å velte eller andre farlige situasjoner, må du først øve deg i å bruke rullestolen på flat og jevn grunn med god sikt.
- Rullestolen skal kun brukes av en person om gangen. All annen form for bruk er ikke i samsvar med stolens tiltenkte bruksområde.
- Ikke bruk fotplatene når du stiger inn eller ut av rullestolen. Fotplatene skal vippes opp og svinges helt ut til siden før du stiger inn eller ut av stolen.
- Svinghjulene kan vakle ved høy hastighet, avhengig av svinghjulenes størrelse og innstilling samt rullestolens tyngdepunkt. Dette kan igjen gjøre at svinghjulene låses slik at rullestolen velter. Pass derfor på at svinghjulene er riktig justert (se avsnittet om "Svinghjul").
- Kjør aldri i en bakke uten bremser og reduser alltid hastigheten. Ved høyere hastigheter kan svinghjulene vakle, avhengig av stolens konfigurasjon og brukerens fysiske evner. Dette kan føre til personskade for brukeren.
- Finn ut hvilken effekt tyngdepunktet har på rullestolen, f.eks. i helling, bakker, i forskjellige stigninger samt når du kjører over hindringer. Gjør kun dette med hjelp fra en ledsager.
- Vi anbefaler at nybegynnere bruker tippesikringer.
- Tippesikringenes funksjon er å forhindre at rullestolen vipper bakover ved et uhell. Tippesikringene må på ingen måte brukes istedenfor transporthjul, eller brukes til å forflytte en bruker i stolen når drivhjulene er tatt av.
- Hvis maksimale innstillinger brukes på stolen (f.eks. hvis bakhjulene er plassert lengst mulig forover) eller du har en redusert kroppsholding, kan rullestolen velte selv på flat mark.
- Len overkroppen lenger forover når du kjører oppover bakker eller opp på trinn/fortauskanter.
- Len overkroppen lenger bakover når du kjører nedover bakker eller ned fra trinn/fortauskanter.
- Ved bruk av mobilitetutstyr som skal monteres på rullestolen, slik som håndsykler, elektronisk servostyring, osv, må du passe på at rullestolen er utstyrt med svinghjulgafler som er godkjent for denne type bruk. Ta kontakt med Hjelpemiddelsentralen eller den lokale Sunrise Medical-representanten dersom du har spørsmål om noe.
- Vær oppmerksom på at enkelte konfigurasjoner kan resultere i at rullestolen er bredere enn 700 mm. I enkelte tilfeller vil det da ikke være mulig å bruke noen eller alle tilgjengelige nødutganger i en bygning. Det kan være vanskeligere eller umulig å bruke offentlige transportmidler.

Fig. A





- Ikke heng tunge gjenstander, slik som handleposer eller ryggsekker på rullestolens kjørehåndtak eller ryggstøtte.
- Slike gjenstander kan endre stolens tyngdepunkt slik at den tipper bakover.
- Hvis du strekker deg etter gjenstander som er plassert foran, på siden eller bak rullestolen, må du ikke strekke deg for langt ut av stolen. Dette vil endre stolens tyngdepunkt og øke faren for at den vipper eller velter.
- Bruk alltid rullestolen på riktig måte. Du må f.eks. bremse når du kjører mot en hindring (et trinn, en fortauskant o.l.) samt unngå at rullestolen sklir av kanter/trinn.
- Kjører kun rullestolen opp trapper med hjelp av en ledsager. Det finnes også utstyr for å hjelpe deg å kjøre f.eks. over ramper og heiser, og vi anbefaler at du bruker slikt utstyr. Hvis slikt utstyr ikke er tilgjengelig, må rullestolen vippes og rulles (aldri bæres) over trinnene av to ledsagere.
- Påmonterte tippesikringer må justeres på forhånd slik at de ikke kommer i kontakt med trappetrinnene. Hvis ikke kan rullestolen velte. Tippesikringene må tilpasses på nytt når stolen er flyttet opp trappen.
- Pass på at ledsageren kun holder i fastmonterte deler på rullestolen (f.eks. ikke i benstøttene eller klesbeskytterne).
- Når en løfterampe brukes, pass på at de monterte tippesikringene er plassert utenfor faresonen.
- Koble inn bremsene når rullestolen står på ujevn grunn eller du forflytter deg fra stolen (f.eks. inn i en bil).
- Brukere med amputerte ben må bruke tippesikringer.
- Kontroller at det er riktig lufttrykk i dekkene før du bruker rullestolen. Lufttrykket i styrehjulene skal være minst 3,5 bar (350 kPa). Det maksimale lufttrykket er oppgitt på dekket.
- Bremsene vil kun virke dersom den er stilt inn på riktig måte og det er tilstrekkelig luft i dekkene (se avsnittet om "Brems").
- Bremsene skal ikke brukes til å senke farten på rullestolen. De er kun ment å forhindre at rullestolen plutselig ruller av gårde når du står stille. Du må alltid koble inn bremsene når du stopper stolen på ujevn grunn for å forhindre at den ruller. Bruk alltid begge bremsene, hvis ikke kan rullestolen velte.
- Bremsene er ikke konstruert for å senke farten på rullestolen.
- Bruk alltid heiser og ramper. Hvis dette ikke er tilgjengelig må du be noen hjelpe deg. Rullestolen skal kun løftes ved å ta tak i fastmonterte deler på stolen. Hvis tippesikringer er montert på stolen, skal disse felles bort. En rullestol skal aldri løftes når noen sitter i den. Stolen skal da kun dyttes.



- Hvis sete- eller ryggtrekket er slitt eller skadd, må de skiftes ut umiddelbart.
- Ikke løft eller bær rullestolen ved å holde fast i ryggørene eller kjørehåndtakene.
- Ikke monter uautorisert elektronisk utstyr, motorisert eller mekanisk drivenheter, sykkel eller annet utstyr som endrer rullestolens bruksformål eller struktur.
- Bruk av annet medisinsk utstyr må godkjennes av Sunrise Medical.
- Vær forsiktig med ild, spesielt glødende sigaretter. Setet og ryggen kan ta fyr.
- Hvis rullestolen skal fraktes i en spesialbil for funksjonshemmede personer, skal rullestolbrukeren så langt det lar seg gjøre sitte i bilens sete og bruke bilens sikkerhetsbelte. Dette er den eneste måten som rullestolbrukeren vil være maksimalt beskyttet på ved en eventuell ulykke. Hvis du overholder sikkerhetsinstruksjonene fra SUNRISE MEDICAL samt bruker et spesialkonstruert sikkerhetssystem, kan lette rullestoler brukes som et sete under transport i spesialkjøretøyer. (Se avsnittet om "Transport").
- Pass alltid på at hurtigkoblingene på bakhjulene er forsvarlig festet og låst. Hvis knappen på hurtigkoblingen ikke er trykket inn, kan ikke hjulet tas av.
- Hvis rullestolen er utstyrt med drivringer i lettmetall eller gummi, kan fingrene dine bli varme når du bremser stolen i stor fart eller nedover lange bakker.
- Hvis rullestolen står i direkte stolllys over en lengre periode, kan deler på den (f.eks. ramme, benstøtter, brems eller klesbeskytter) bli varme (>41°C).
- For å unngå å skade hendene dine, må du ikke plassere dem mellom eikene eller mellom bakhjulet og bremsen når du bruker rullestolen.
- Ha alltid på deg hansker når du bruker rullestolen utendørs, da dette vil øke grepet ditt samt beskytte fingrene dine mot smuss og overoppheting.
- Ikke bruk rullestolen i bakker/hellinger som overstiger 10°.
- En trygg, dynamisk bakke vil være avhengig av stolens innstillinger, brukerens evner samt måten rullestolen kjøres på. Fordi brukerens evner og kjøremåte ikke er kjent på forhånd, kan vi ikke oppgi hva som utgjør en maksimalt trygg bakke. Brukeren må derfor fastsette dette selv med hjelp fra en ledsager for å forhindre at stolen velter. Vi anbefaler på det sterkeste at uerfarne rullestolbrukere benytter tippesikringer på stolen.
- Ikke bruk rullestolen på gjørmete eller veidekker med is/sørpe.
- Ikke bruk rullestolen på steder som ikke er tillatt for fotgjengere.
- Det er fare for å klemme fingrene i alle bevegelige deler. Vær forsiktig.
- Vis forsiktighet hvis rullestolen skal brukes i kraftig regnvær, snøvær eller på glatte eller ujevne veidekker.
- Bruk aldri rullestolen i farlige omgivelser.

ADVARSEL!

KVELNINGSFARE – Dette mobilitetsproduktet inneholder små deler som i enkelte tilfeller kan utgjøre en kvelningsfare for små barn.

ADVARSEL!

Justeringer av rullestolen, spesielt av sikkerhetsrelaterte deler, må kun utføres av en godkjent tekniker. Dette gjelder justering av bremses, tippesikringer, vinkel og høyde på ryggstøtte, leggglengde, tyngdepunkt, hoftebelte, spissing og cambring for bakhjul, setehøyde, spissing og retningsstabilitet for svinghjulgaffel.

MERK:

- Bremsenes effekt samt rullestolens generelle kjøreegenskaper vil påvirkes av lufttrykket i dekkene. Rullestolen vil være langt enklere å styre når det er riktig og likt lufttrykk i begge drivhjulene.
- Pass på at dekkene har godt mønster!
- Husk at du må følge alle gjeldende trafikkregler når du kjører på offentlige veier.
- Når du kjører i mørket bør du alltid ha på deg lyse klær og klær med refleksbånd, slik at du er lettere synlig. Pass også på at refleksene bak og på siden av rullestolen er lett synlige. Vi anbefaler også at du monterer et aktivt lys.
- Vær alltid forsiktig slik at du ikke klemmer fingrene dine når du bruker eller justerer rullestolen!
- Rullestolen som er vist og beskrevet i denne håndboken er ikke nødvendigvis identisk med din egen modell. Alle veiledninger er likevel relevante, til tross for enkelte detaljforskjeller.
- Produsenten forbeholder seg retten til å endre vekt, mål eller andre tekniske data i denne brukerveiledningen uten forvarsel. Alle tall, mål og kapasiteter vist i denne håndboken er omtrentlige og gir ingen presise tekniske spesifikasjoner.

Levetid

- Rullestolen har en forventet levetid på ca. 5 år.

2.0 Transport

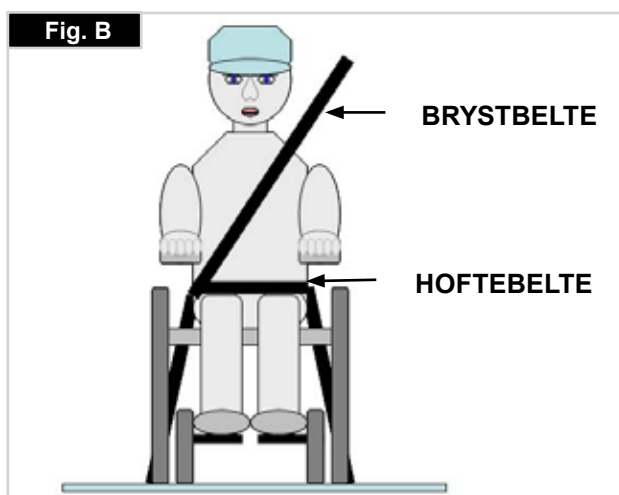
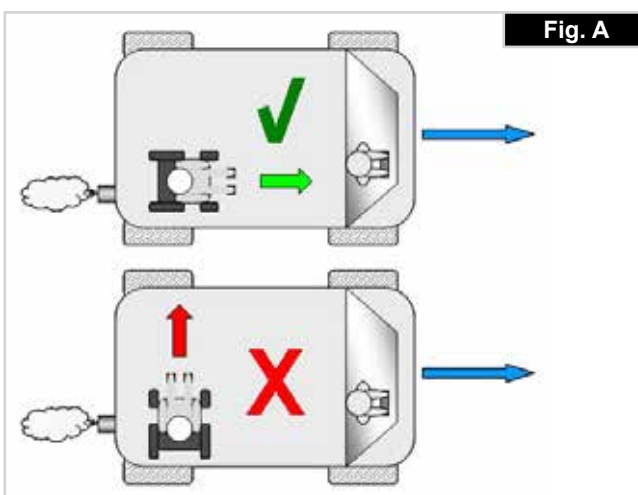


Det kan være fare for alvorlige personskader eller dødsfall dersom denne advarselen ikke overholdes!

Transportere rullestolen i et kjøretøy:

En rullestol som er festet i et kjøretøy, vil ikke gi like stor sikkerhet som kjøretøyets eget sikkerhetsbelte. Det anbefales alltid at brukeren forflyttes til et sete i kjøretøyet. Dersom en person må sitte i rullestolen under transport, må man ta hensyn til følgende:

1. Kontroller at kjøretøyet kan brukes til å transportere brukeren i rullestolen, og pass på at tilgangsmetoden er egnet for rullestoltypen. Gulvet i kjøretøyet må være sterkt nok til å tåle den kombinerte vekten av brukeren, rullestolen og utstyret på den.
2. Det skal være tilstrekkelig plass rundt rullestolen til å feste, stramme og frigjøre festesystemet for stolen og sikkerhetsbeltet for brukeren.
3. Rullestolen må vende forover i bilen og festes med et sekspunkts festesystem som er i samsvar med ISO 10542 Trinn 2 eller SAE J2249, i henhold til produsentens instruksjoner.
4. Rullestolen må ikke under noen omstendigheter transporteres i en bil på andre måter enn beskrevet her. Stolen må f.eks. aldri plasseres sideveis i en bil (Fig. A).
5. Rullestolen skal festes med et festesystem som er i samsvar med ISO 10542 eller SAE J2249, med ikke-justerbare stropper foran og justerbare stropper bak, som er utstyrt med karabinklips/-kroker samt beltespenne. Disse systemene består som regel av fire separate stropper som festes til hvert hjørne på rullestolen.
6. Festesystemet skal festes til hovedrammen på rullestolen, slik vist i diagrammene på de neste sidene. Det må ikke festes i utstyr eller løse deler på stolen, slik som eikene på hjulene, bremsene eller benstøttene.
7. Festesystemet skal festes nærmest mulig 45 grader og strammes forsvarlig i samsvar med produsentens instruksjoner.
8. Rullestolens festepunkter, ramme eller komponenter må ikke byttes ut eller justeres uten at du først rådfører deg med produsenten. Slike utskiftninger eller justeringer vil gjøre at rullestolen Sunrise Medical ikke kan transporteres i en bil.
9. Det skal brukes både et bryst- og hoftebelte for å holde brukeren på plass i stolen. Dette vil redusere faren for hode- og brystskader forårsaket av deler i kjøretøyet, samt at brukeren og andre passasjerer pådrar seg alvorlige personskader. (Fig. B) Brystbeltet skal festes til "B"-stolpen i kjøretøyet. Hvis ikke kan det øke faren for at rullestolbrukeren pådrar seg alvorlige mageskader.
10. En nakkestøtte som er egnet for bruk under transport (se merkelappen på nakkestøtten) skal også monteres og tilpasses på riktig måte til enhver tid under transport.
11. Hoftebelter er kun beregnet som støtte og egner seg ikke som sikring under transport, med mindre de overholder kravene i ISO 7176-19:2001 eller SAE J2249.
12. Brukerens sikkerhet under transport er avhengig av hvor nøye personen som fester festesystemet er. Vedkommende skal ha mottatt riktige instruksjoner og/eller opplæring i dette.
13. Løse deler på rullestolen må fjernes og legges trygt i bilens bagasjerom under transporten. Løse deler inkluderer:
 14. Krykker, løse puter og bord.
 15. En hevableddet benstøtte skal ikke brukes i hevet stilling når rullestolen og brukeren transporteres og stolen festet ved bruk av et festesystem.
 16. Justerbare ryggstøtter skal rettes helt opp.
 17. De manuelle bremsene må kobles forsvarlig inn.
18. Sikkerhetsbeltet skal festes til "B"-stolpen i kjøretøyet, og det må ikke holdes ut fra brukerens kropp av rullestolkomponenter som armlener og hjul.



Instruksjoner for hoftebeltet:

1. Hoftebeltet skal ligge lavt over brukerens hofter i en vinkel på mellom 30 ° og 75 ° horisontalt.
2. Beltet bør ha en vinkel som er nærmest mulig 75 °. Beltet må derimot aldri overstige 75 °. (Fig. C).
3. Brystbeltet må plasseres over brukerens skylder og brystkasse, slik vist i illustrasjonen Fig. D og E.
4. Setebelter skal strammes så mye som mulig i henhold til brukerens komfort.
5. Beltene må ikke være vridd når de brukes.
6. Det øvre brystbeltet skal ligge på kryss over skulderen, slik vist i Fig. D og E.
7. Festepunktene på stolen er på innersiden av rammen foran på stolen, rett over svinghjulet, samt bak på siderammen. Stroppene skal festes rundt siderammene i krysset mellom de horisontale og vertikale rammerørene. (Se Fig. G - H)
8. Festesymbolet (Fig. F) på rullestolen viser hvor festestroppene skal festes. Stroppene skal strammes når de fremre stroppene er montert for å feste rullestolen i kjøretøyet.

BRUKERVEKT UNDER 22 KG

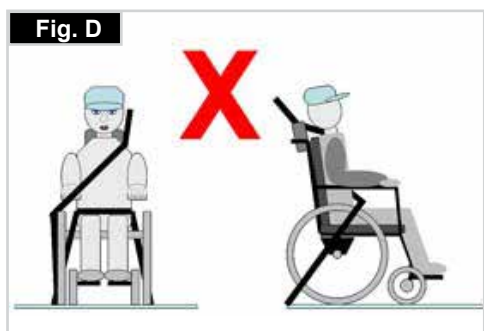
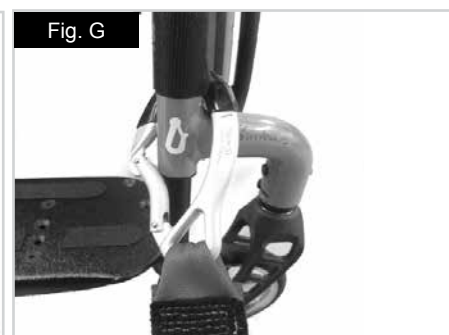
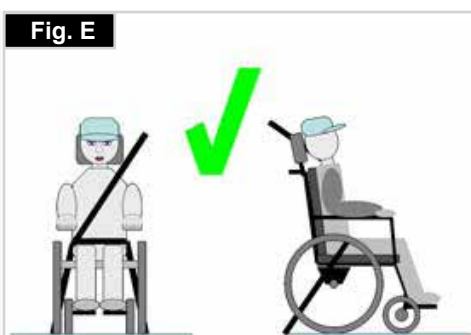
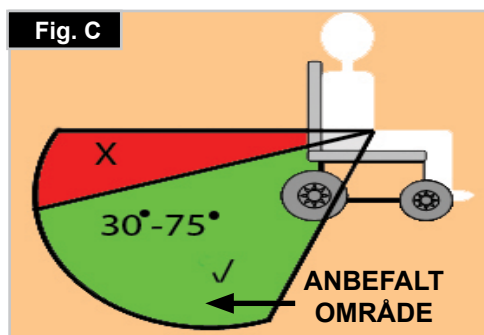
Når brukeren av produktet er et barn som veier mindre enn 22 kg, og kjøretøyet som brukes har færre enn åtte (8) sittende passasjerer, anbefales det at barnet forflyttes til et barnesete som er offentlig godkjent.

Denne type sikringssystem er mer effektivt enn et tradisjonelt trepunktssystem. I tillegg tilbyr enkelte CRC-systemer ekstra støtte for overkroppen, slik at barnet opprettholder kroppsstillingen når det sitter.

Barnets foreldre eller terapeut kan vurdere om barnet, i enkelte tilfeller, skal bli sittende i rullestolen under transport, dersom de mener at rullestolen gir bedre kontroll og komfort for barnet. I slike tilfeller anbefaler vi at terapeuten og/eller andre relevante, kompetente personer foretar en risikovurdering.

Transport - plassering av festesystem på rullestolen

- Rullestolen festet med fremre festesystem. (Fig. G).
- Plassering av bakre festesystem (Fig. H).



GARANTI**DENNE GARANTIEN VIL IKKE PÅ NOEN MÅTE PÅVIRKE DINE LOVFESTEDE RETTIGHETER.**

Sunrise Medical* gir sine kunder en garanti, slik beskrevet i garantibetingelsene, for rullestolen. Garantien dekker følgende:

Garantibetingelsene

1. Dersom en del eller deler på rullestolen må repareres eller skiftes ut på grunn av produksjons- og/eller materialfeil i løpet av 2 år, eller 5 år for ramme og rammekryssrør etter levering av produktet, vil den skadde delen eller delene repareres eller skiftes ut uten omkostninger for kunden. (Batteriene har en garanti på 12 måneder, så lenge den riktige vedlikeholdsplanen for batterier følges)
2. For å bruke garantien, vennligst ta kontakt med Hjelpemiddelsentralen og oppgi nøyaktig informasjon om feilen og hvordan den har oppstått. Dersom du bruker rullestolen utenfor områdene som er dekket av Sunrise Medicals verksteder, vil reparasjoner og utskiftelser utføres av et annet verksted som er godkjent av produsenten. Rullestolen må repareres av et godkjent Sunrise Medical-verksted (Servicepartner).
3. Deler som er reparert eller skiftet ut ved bruk av denne garantien vil være dekket av rullestolens gjenværende garantiperiode i henhold til disse garantibetingelsene slik fastsatt i punkt 1.
4. Reservedeler som kunden har betalt for vil ha en garanti på 12 måneder (fra den/de ble montert) i henhold til disse garantibetingelsene.
5. Slitasjedeler, slik som puter, dekk, innvendige slanger og liknende deler, dekkes ikke av garantien, med mindre for rask slitasje av slike deler er et direkte resultat av en produksjonsfeil.
6. Denne garantien kan ikke brukes dersom reparasjon eller utskifting av deler er et direkte resultat av følgende årsaker:
 - a) Produktet eller en del av den ikke har blitt ivaretatt eller vedlikeholdt i samsvar med produsentens anbefalinger, slik beskrevet i brukerveiledningen og/eller serviceheftet.
 - b) Det er brukt deler som ikke er klassifisert som originaldeler.
 - c) Stolen eller del av den er blitt skadet pga. uforsiktighet, ulykke eller feil bruk.
 - d) Det er utført endringer/modifiseringer på produktet eller deler som ikke er i samsvar med produsentens spesifikasjoner.
 - e) Det er utført reparasjoner før Sunrise Medicals kundeservice har blitt informert om dette.
7. Denne garantien er gjenstand for lover i det landet hvor produktet ble kjøpt fra Sunrise Medical.

* *Betyr forhandleren/leverandøren som Sunrise Medical-produktet ble kjøpt fra.*

4.0 Håndtering

Hurtigkobling for drivhjul

Drivhjulene er utstyrt med hurtigkoblinger.

Hjulene kan derfor tas av og på uten bruk av verktøy.

For å ta av et hjul, trykk ganske enkelt på den hurtigutløsende knappen på akselen (1) og trekk hjulet av (Fig. 3).



ADVARSEL!

Hold hurtigkoblingen på akselen nede når akselen settes inn i rammen for å montere drivhjulene.

Slipp opp knappen for å låse hjulene på plass. Hurtigkoblingen vil kneppe på plass.

Transport av rullestolen

Ved å ta av drivhjulene vil rullestolen gjøres mest mulig kompakt.

Ryggstøtten kan legges ned ved å trekke i snoren på ryggstøtten.

For å flytte den tomme rullestolen, hold fast i den fremre delen på setet og kjørehåndtakene.

Rullestolen må sikres ved bruk av festestropper når den skal fraktes i kjøretøy uten bruker sittende i rullestolen.

5.0 Alternativer

Vipperør

Vipperør brukes når noen skal vippe rullestolen over hindringer i veien.

Trå ganske enkelt på røret for å skyve rullestolen, for eksempel over en fortauskant eller et trinn (Fig. 5.1).

Bremser



ADVARSEL!

Bremsekraften kan påvirkes av feilmonterte og feiljusterte bremses, samt for lavt lufttrykk i dekkene.

Bremser

Rullestolen er utstyrt med to bremses. De presses direkte mot hjulene. For å koble inn bremsene, skyv begge bremsespakene forover til stoppepunktet.

For å koble ut bremsene, trekk spakene tilbake den opprinnelige stilling deres.

Bremsekraften vil reduseres dersom:

- Mønsteret på dekkene er slitt
- Lufttrykket er for lavt
- Hjulene er våte
- Bremsene er feiljustert.

Bremsene er ikke konstruert for å senke farten på rullestolen. Bremsene skal derfor aldri brukes til å bremse en rullestol som er i bevegelse. Bruk alltid drivringene for å bremse ned farten på stolen. Pass på at avstanden mellom hjulene og bremsene er i samsvar med de fastsatte spesifikasjonene. For å justere avstanden, løsne på skruen (1) og still inn riktig avstand. Stram deretter skruene på nytt (se avsnittet om Tiltrekkingsmoment) (Fig. 5.2).

Standardbrems

(Fig. 5.3)

Fig. 4.0

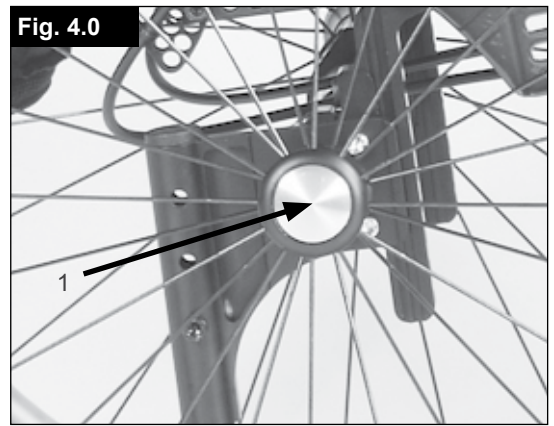


Fig. 5.1



Fig. 5.2

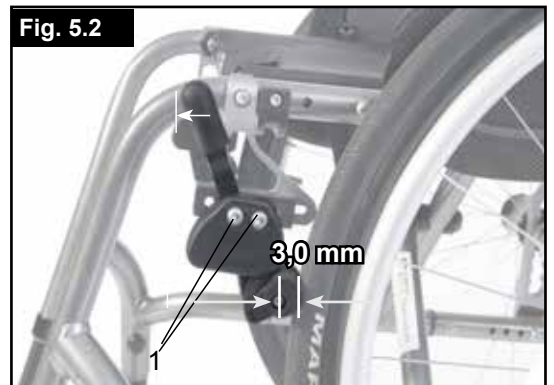


Fig. 5.3



Kompakt bremses

Kompaktbremses er plassert under setet. De aktiveres ved å trekke bremsene bakover i retning av hjulet. For at bremsene skal kobles helt inn, må du trekke spaken til den stopper (Fig. 5.4).

⚠ADVARSEL!

- Feil montering av bremsene vil gjøre det vanskeligere å koble dem inn. Dette kan gjøre at bremsespakforlengeren for bremsene brykker!
- Festeboltene på bremsene må ikke løsnes og/eller etterstrammes.

Safari-bremses (bremses integrert i klesbeskytteren):

Safari-bremsene kobles inn ved å skyve spaken forover (fra deg). For å koble bremsene ut, trekk spaken mot deg (Fig. 5.5).

Bremsespakforlenger

Bremsespakforlengeren gjør det enklere å koble inn bremsene. Bremsespakforlengeren er festet til bremsene.

Ved å heve denne kan den vippes forover (Fig. 5.6).

⚠ADVARSEL!

Feil montering av bremsene vil gjøre det vanskeligere å koble dem inn. Dette kan føre til at bremsespakforlengeren brykker.

Fig. 5.4



Fig. 5.5



Fig. 5.6



Fig. 5.7



Fig. 5.8

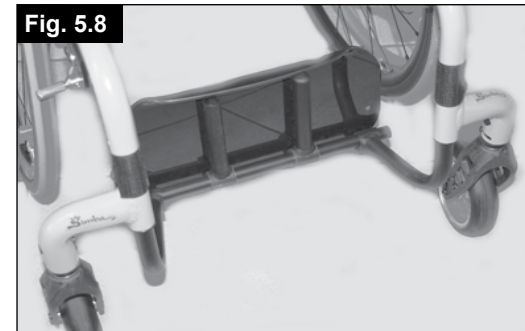


Fig. 5.9



Justere fotplaten

⚠ADVARSEL!

- Ikke stå på fotplaten! Selv om brukeren sitter i rullestolen, kan den velte og forårsake personskade.
- Ikke stå på fotplaten når du forflytter deg. Rullestolen kan velte og forårsake personskade.

Justere benstøtten

Ved å skru opp skruen (1) kan du justere benstøtten slik at den passer lengden på leggene dine, før du fester benstøtten på plass. Vinkelen på benstøtten kan justeres individuelt (ikke på benstøtter med stang) ved å løsne på skruen (2). Sidekanten på benstøtten forhindrer at føttene dine sklir av benstøtten. Kontroller at alle skruer er strammet som de skal etter enhver justering (se avsnittet om Tiltrekkingsmoment) (Fig. 5.7).

Oppfellbare fotplater:

Fotplaten kan vippes opp og bakover for å gjøre det enklere å gå inn og ut av rullestolen. Fotplaten vippes opp ved å heve den fremre delen. For å sette benstøtten tilbake til sin opprinnelige stilling, vipper du den fremre delen nedover (Fig. 5.8).

Høyt monterte benstøtter:

Den høyt monterte benstøtten er montert på innsiden av rammen, slik at benstøtten kan plasseres høyere (Fig. 5.9).

⚠ADVARSEL!

Skrue/boltene som er brukt på denne rullestolen er smurt med gjengelim på fabrikken. Etter dette skal de byttes ut, eller påføres nytt gjengelim og strammes på nytt med middels styrke.

Svinghjul

Svinghjul, svinghjulsfester og gafler

Det kan være at rullestolen trekker litt mot høyre eller venstre, eller at svinghjulene vakler under bruk.

Dette kan være forårsaket av at:

- Hjulets forover- og/eller bakoverbevegelse er ikke stilt inn på riktig måte.
- Vinkelen på svinghjulet ikke er justert som den skal.
- Svinghjulet og/eller lufttrykket i drivhjulene er for lavt; hjulene svinger ikke jevnt.

Svinghjulene må justeres optimalt slik at rullestolen kjører i en rett linje.

Svinghjulene skal alltid tilpasses av en kunnig person. Svinghjulsfestene må tilpasses og bremsene kontrolleres hver gang drivhjulene har blitt justert.

Justere svinghjulet

Du kan kontrollere at begge gafflene er stilt parallelt ved å telle tennene som er synlige på begge sider. Når du har justert svinghjulsgafflene vil tennene gi en sikker stilling, og kan justeres opp til 16° i trinn på 2°. Bruk den flate siden for å kontrollere at vinkelen er plan med underlaget.

Dette patenterte designet gjør at svinghjulsgaffelen kan snus, slik at den står i rett vinkel i forhold til underlaget når setevinkelen endres, (Fig. 5.10 + 5.11).

Stille inn retningsstabiliteten

Skru opp sekskantskruene (1) på undersiden av gaffelen. Skru deretter opp skruen (2). Du kan nå dreie den sorte holderen (3) mot høyre eller venstre.

Venstre – rullestolen vil trekke mot venstre

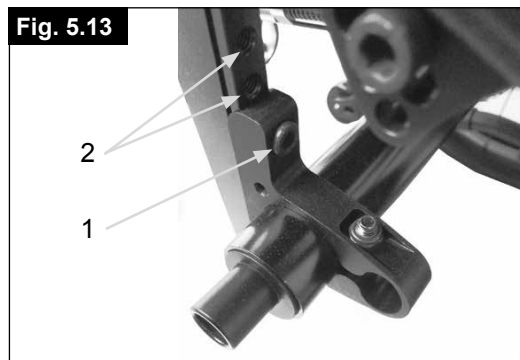
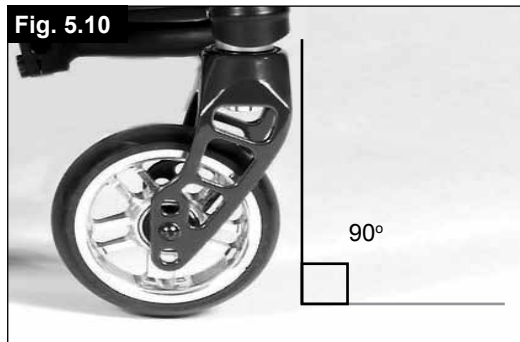
Høyre - rullestolen vil trekke mot høyre

Stram deretter til skruen (2) på nytt. Still gaffelen i 90° vinkel i forhold til gulvet.

Stram deretter skruen (1) på nytt. (Fig. 4.16).

⚠ ADVARSEL!

Skruene/boltene som er brukt på denne rullestolen er smurt med gjengelim på fabrikken. Etter dette skal de byttes ut, eller påføres nytt gjengelim og strammes på nytt med middels styrke.



Sete

Justere setehøyden

For å justere høyden bak på setet, skru opp og fjern sekskantskruen (1) (én på hver side) som fester klemmen (2) til aksleplaten. Juster de to klemmene (2) på camberrørene til ønsket høyde, og sett tilbake de to sekskantskruene. Før du strammer skruene, følg instruksjonene for å stille spissing/spredning til null.

Stram til skruene med et tiltrekkingsmoment på 10 Nm. (Fig. 5.13)

⚠ ADVARSEL!

- Det kan være nødvendig å justere vinkelen på svinghjulene når du justerer setehøyden bak.
- Skruene/boltene som er brukt på denne rullestolen er smurt med gjengelim på fabrikken. Etter dette skal de byttes ut, eller påføres nytt gjengelim og strammes på nytt med middels styrke.

Hjulstilling

Justere hjulstillingen

Viktig: Rullestolen vil kun rulle slik den skal dersom stillingen for drivhjulene er optimert, som betyr at hjulstillingen må justeres på riktig måte.

For å gjøre dette, mål avstanden mellom både svinghjulene og drivhjulene for å forsikre deg om at de er parallelle med hverandre. Forskjellen mellom begge målene skal ikke overstige 5 mm.

For å justere hjulene slik at de er parallelle med hverandre, løsne på skruene og vri akselhylsen deretter. Kontroller at alle skruer er strammet som de skal etter enhver justering (se avsnittet om Tiltrekkingsmoment).

SIMBA spissingsinnstilling

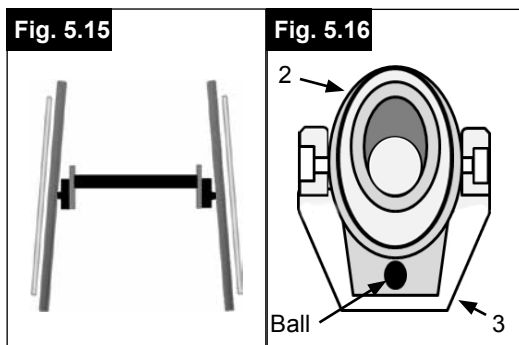
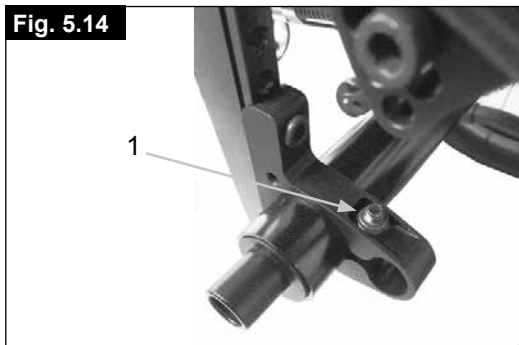
Stille spissing/spredning til null:

MERK: Det går ikke an å stille spissing/spredning på rullestoler som er utstyrt med 0° cambersylindere. Denne justeringen kan kun utføres på stoler med 3°, 6° og 9° cambersylindere.

Betegnelsen "spissing/spredning" definerer hvordan drivhjulene på stolen er plassert i forhold til underlaget. Dette vil igjen avgjøre hvor lett stolen kan rulle. Du oppnår normal motstand eller rullemotstand når spissing/spredning er stilt til null.

Stille spissing/spredning til null: Løse de to skruene (1) (en på hver side) som fester klemmen på vinkelrøret. Kontroller kulen i den horisontale stillingen (2), og vri vinkelrøret (3) til kulen er i midten. Spissingen er nå stilt til null.

Før du strammer til skruene (1), må du kontrollere at vinkelrøret er sentrert fra venstre mot høyre. Før du strammer til skruene (1), må du kontrollere at vinkelrøret er sentrert fra venstre mot høyre. Stram til skruene med et tiltrekkingsmoment på 10 Nm (Fig. 5.14 - 5.16).



Justere akselavstanden



ADVARSEL!

Når du justerer den bakre akselavstanden, må du justere ett hjul av gangen. Hvis begge hjulene løsnes samtidig, vil spissingen/spredningen også endres. Akselavstanden justeres ved å strekke delen på cambringen (4) inn eller ut av camberrøret (5), før det låses på plass når det er trukket helt inn eller ut. Løsne på skruen (6) nærmest camberrøret på venstre side av stolen.

Flytt hurtigkoblingen innover eller utover til du har fått akselavstanden du ønsker. Stram til skruene med et tiltrekkingsmoment på 10 Nm. Gjenta denne fremgangsmåten på høyre side av stolen, og juster avstanden slik at den er like stor som på venstre side (Fig. 5.17).



ADVARSEL!

Skruene/boltene som er brukt på denne rullestolen er smurt med gjengelim på fabrikken. Etter dette skal de byttes ut, eller påføres nytt gjengelim og strammes på nytt med middels styrke.



Ryggstøtte

Vinkeljusterbar ryggstøtte

Vinkelen på ryggen justeres ved å endre stillingen på ryggssylinderen. Skruene (1) må løsnes og tas av på begge sider. Ryggssylinderen kan nå justeres til ønsket vinkel. Sett deretter tilbake og stram skruene (1) forsvarlig (Fig. 5.18)



ADVARSEL!

Skruene må strammes til på nytt. Hvis ikke vil ikke vinkeljusteringen stilles inn.

Felle ned ryggen

Frigjør ryggen ved å trekke i snoren, samtidig som du skyver ryggen forover for å felle den ned. For å rette opp ryggen til sin opprinnelige stilling, må den trekkes mest mulig bakover til den låses på plass på begge sider.



FARE!

Hvis ryggen trekkes for langt bakover, kan brukeren falle bakover når han/hun bruker bremsene. Pass derfor på at ryggen er låst forsvarlig på plass på begge sider av stolen.



ADVARSEL!

Vær forsiktig slik at du ikke klemmer fingrene dine når ryggen felles ned.

Rygg i hvilestilling

Ryggen kan settes i hvilestilling med en vinkel på 10°. Trekk i snoren på ryggen for å frigjøre den, og skyv ryggen bakover til begge ryggrorene låses på plass.



ADVARSEL!

Hvis ryggen trekkes for langt bakover, kan brukeren falle bakover når han/hun bruker bremsene. Pass derfor på at ryggen er låst forsvarlig på plass på begge sider av stolen.



ADVARSEL!

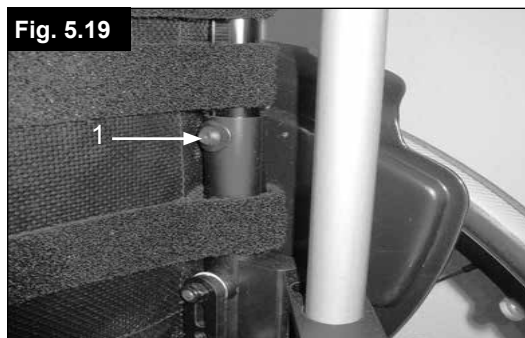
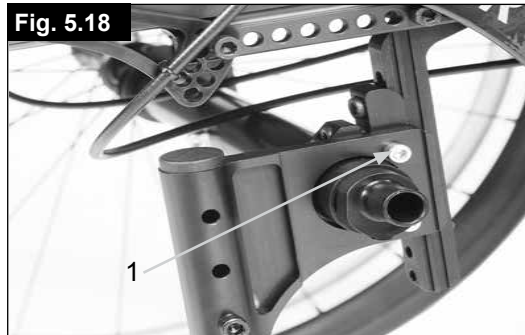
Vær forsiktig slik at du ikke klemmer fingrene dine når ryggen felles ned.

Justerbart ryggtrekk

Du kan justere strammingen på ryggtrekket ved bruk av forskjellige stropper. Ryggtrekket kan justeres fra innsiden gjennom en åpning i trekket, og kan polstres for å dekke forskjellige brukeres behov.

Høydejusterbar rygg

Ryggen kan justeres i forskjellige høyder i trinn på 2,5 cm. De justerbare trinnene er 20-25 cm, 25-30 cm, 30-35 cm og 35-40 cm. Skru opp skruene (1) og juster ryggstøtten til den høyden du ønsker. Stram deretter til skruene (se avsnittet om Tiltrekkingsmoment) (Fig. 5.19).



Klesbeskytter

Klesbeskytterne på SIMBA er hovedsakelig designet for de nye integrerte bremsene. Hvis du ikke har bestilt de integrerte bremsene, vil åpningene på klesbeskytterne leveres med deksler, (Fig. 5.20).



Hvis klesbeskytterne brukes uten deksler, kan det forårsake personskade. Hvis det ikke er montert integrerte bremses på stolen, må det brukes deksler på klesbeskytteren.

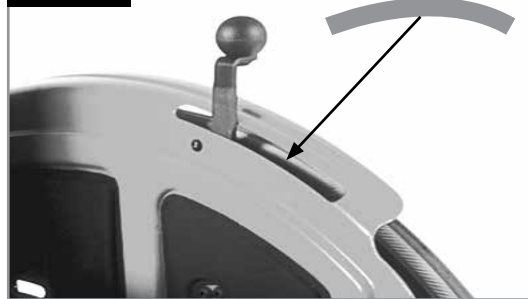
Armlen

Armlenet skrues på plass på klesbeskytteren i den stillingen du ønsker. Armlenet er høydejusterbart.

Bord

Et bord kan kun brukes sammen med armlenene. Bordet festes på det ene armlenet og plasseres deretter over begge armlenene.

Fig. 5.20



Kjørehåndtak



En rullestol skal aldri løftes når noen sitter i den. Stolen skal da kun dyttes.

Høyderegulerbare kjørehåndtak

Disse håndtakene er festet med to bolter, slik at de ikke plutselig sklir ut. Ved å åpne utløerspaken (1) kan kjørehåndtakene (2) reguleres til den høyden du ønsker. Når du flytter på spaken vil du høre låsemekanismen; du kan nå lettere plassere kjørehåndtaket i den stillingen du ønsker.

Mutteren på strammespaken avgjør hvor stramt kjørehåndtaket er festet på plass. Dersom mutteren er løs når strammespaken har blitt justert, vil også kjørehåndtaket være for løst. Vipp kjørehåndtaket fra side til side før bruk, for å forvise deg om at det er festet godt på plass.

Du må alltid feste strammespaken (1) forsvarlig på plass når du har justert høyden på kjørehåndtaket. Dersom denne spaken ikke er festet godt nok, kan det føre til personskade ved forsering av trapper (Fig. 5.21 + 5.21.1).



Hvis de høyderegulerbare kjørehåndtakene ikke er montert som de skal, kan det oppstå "slark" eller de kan skli ut av stilling. Pass på at de relevante skruene er strammet som de skal.

Nedfellbare kjørehåndtak/stang

Hvis kjørehåndtakene ikke er i bruk, kan de felles ned ved å løsne på spakene (2). Når det er nødvendig å bruke kjørehåndtakene på nytt, kan de vippes opp til de klikker på plass, før du strammer spakene (Fig. 5.22).

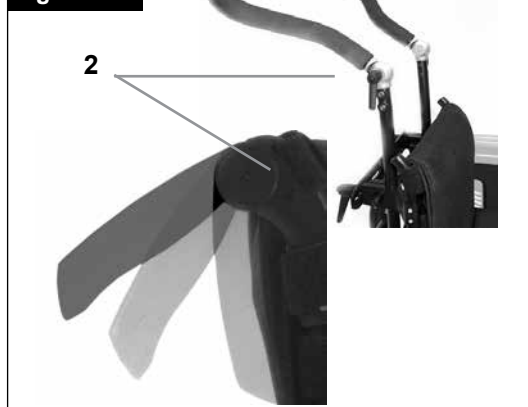
Fig. 5.21



Fig. 5.21.1



Fig. 5.22



Tippesikringer

Sunrise Medical anbefaler at tippesikringer brukes på alle rullestoler. Bruk et tiltrekkingsmoment på 16 Nm når du monterer tippesikringer på stolen (Fig. 5.23)

1. Skyve røret på tippesikringene inn i festet:

- Trykk på den bakre knappen på tippesikringen på tippesikringsfestet, slik at begge tappene trekkes inn.
- Skyv tippesikringen (1) inn i festet.
- Skyv tippesikringen nedover til utløserbolten låses i festet.
- Monter den andre tippesikringen på samme måte.

2. Justere tippesikringene

Tippesikringene må heves eller senkes slik at det er en avstand på 2,5 cm - 5 cm mellom tippesikringene og gulvet.

- Trykk på utløserknappen på tippesikringen, slik at begge tappene trekkes innover.
- Flytt det innvendige røret opp eller ned for å feste det i hullene.
- Slipp opp knappen.
- Monter den andre tippesikringen på samme måte.
- Begge tippesikringene må være plassert like høyt.



Hvis rullestolen ikke er utstyrt med tippesikringer eller de er feil montert, kan stolen tippe bakover og forårsake personskade.

Fig. 5.23

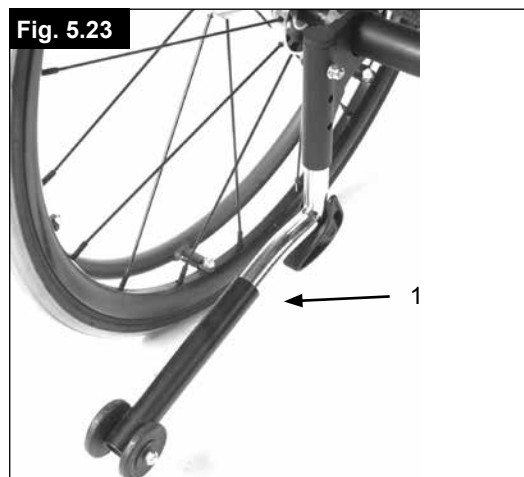


Fig. 5.24



Sete

Setetrek:

Skru ut skruene på venstre side av setet.

Juster borrelåsstripsene for å stramme setet. Stram deretter til skruene.

Hvis det er vanskelig sette skruene tilbake på plass, bruk en skarp gjenstand til å finne hullene. Kontroller også at plastbasen er i riktig stilling før skruene strammes til på nytt, (5.24).

Endring av setebredde og setedybde

Justering av setebredde:

Setebredden kan utvides med inntil 2 cm uten bruk av nye deler:

- Skruene i fotplaten og akselen, pluss to støttestenger i ryggstøtten og under setet, må løsnes.
- Teleskoprørene i fotplaten, støttestengene og akselrøret må forlenges for å tilpasses den nye setebredden. Stram deretter til skruene på nytt.
- Løse borrelåsstripsene på ryggen og setet, og juster til den nest største setebredden.

Justering av setedybde:

Setedybden kan utvides med inntil 4 cm uten bruk av nye deler:

Skrue opp og fjern skruene (A - Fig. 5.25) på begge sider av seterammen på rullestolen, og flytt hele komponenten, inkludert ryggrorene, til ønsket stilling. Sett tilbake og stram skruene «A».

Fig. 5.25

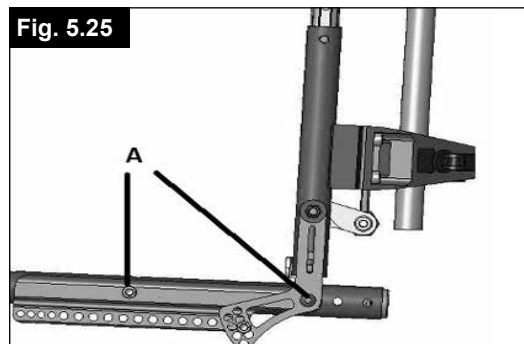


Fig. 5.26



Fig. 5.27



Krykkeholder

Krykkeholder

Med dette utstyret kan krykker festes direkte til rullestolen. Holderen er utstyrt med en borrelåshempe som brukes til å holde fast krykker eller andre hjelpemidler, (5.26).



Krykker eller andre hjelpemidler må aldri tas ut av holderen når rullestolen er i bevegelse.

Hjul og montasje

Rullestolen leveres med kompakte dekk eller luftfylte hjul, (5.27).



Hvis rullestolen er utstyrt med luftfylte dekk:

Hvis rullestolen er utstyrt med luftfylte gummidekk, må du alltid kontrollere at det er riktig lufttrykk i dekkene, da dette kan ha en innvirkning på rullestolens kjøreegenskaper. For lavt lufttrykk kan gi rullemotstand, som igjen gjør det nødvendig med ekstra kraft for å bevege rullestolen. Lavt lufttrykk kan også ha en negativ innvirkning på styring av stolen. Hvis lufttrykket er for høyt kan dekket eksplodere. Det korrekte lufttrykket for ditt dekk står trykket på yttersiden av selve dekket.

Dekkene monteres på samme måte som et vanlig sykkeldekk. Kontroller alltid at det ikke er fremmedlegemer på kanten eller på innsiden av et dekk før en ny slange settes inn. Kontroller lufttrykket når et dekk har blitt montert eller reparert. For din egen sikkerhet og for at rullestolen skal fungere på best mulig måte, er det ytterst nødvendig med riktig lufttrykk i dekkene samt at dekkene er i god stand.

6.0 Sideveis støtte (hoftebelte)

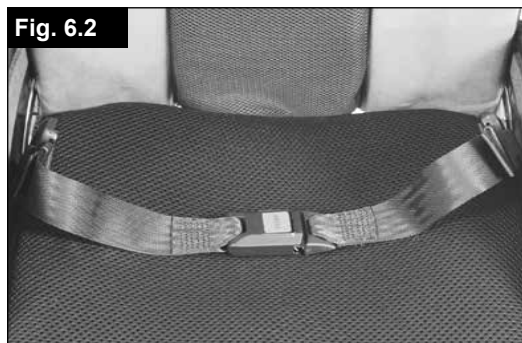


Husk å ta på deg hoftebeltet før du bruker rullestolen.
Hoftebeltet må kontrolleres daglig, for å sørge for at det er fritt for slitasje samt at det fungerer som det skal. Kontroller alltid at hoftebeltet er festet og justert som det skal før bruk. Hvis beltet er for løst kan brukeren skli ned i setet med fare for å kveles eller pådras alvorlige personskader.

Hoftebeltet er montert på rullestolen slik vist i illustrasjonen. Beltet består av to deler. Delene monteres ved bruk av de eksisterende festeboltene på setet som festes gjennom øyet på beltet. Beltet trekkes under den bakre delen på klesbeskytteren, (1). (Fig. 6.1)

Juster beltet slik at spennen er plassert midt foran på setet. (Fig. 6.2).

Hvis du vil ettermontere et hoftebelte, ta kontakt med Hjelpemiddelsentralen eller din lokale Sunrise Medical-representant.



Juster hoftebeltet slik at det passer brukeren på følgende måte:

Gjøre beltet kortere	Forleng hoftebeltet
Trekk det ledige beltet tilbake gjennom beltespennen og sidespennene. Pass på at beltet ikke er vridd ved spennen.	Trekk det ledige beltet gjennom sidespennene og beltespennen for å forleng hoftebeltet.

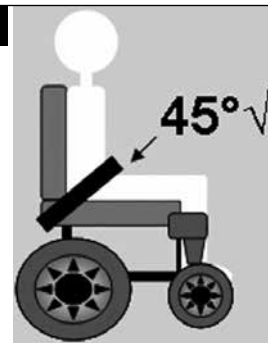



Når beltet er festet, kontroller avstanden mellom beltet og brukeren. Når beltet er riktig strammet, skal du kunne få plass til en flat hånd mellom beltet og brukeren. (Fig. 6.3).

Hoftebeltet skal festes slik at det ligger i en vinkel på 45 grader over brukers hofte. Brukeren skal sitte oppreist og lene seg mest mulig bakover i setet når beltet justeres. Hoftebeltet skal justeres slik at brukeren ikke kan skli ned i setet.

(Fig. 6.4)


Fig. 6.4



	
<p>Feste hoftebeltet: Skyv spennet fast inn i holderen.</p>	<p>Frigjøre hoftebeltet: Trykk sidene på spennen inn mot midten, og trekk delene på beltet forsiktig fra hverandre.</p>

ADVARSEL!

- Hvis du er usikker på hvordan du bruker hoftebeltet, må du spørre helseterapeuten, rullestolforhandleren, omsorgspersonen eller ledsageren din om hjelp.
- Hoftebeltet skal kun monteres av en godkjent Sunrise Medical-forhandler/serviceverksted.
- Hoftebeltet skal kun tilpasses av en kvalifisert person eller en godkjent Sunrise Medical-forhandler/serviceverksted.
- Hoftebeltet må kontrolleres daglig for å forvise om at det er riktig justert, at det fungerer som det skal, og at det ikke er slitt.
- Sunrise Medical anbefaler ikke at rullestolbrukeren sitter i stolen og bruker dette hoftebeltet som sikkerhet når stolen transporteres i et kjøretøy.

 Vennligst se Sunrise Medicals brosjyre om transport for ytterligere informasjon.

Vedlikehold:

Kontroller hoftebeltet og festene regelmessig. Se etter slitasje eller skader. Skift ut deler om nødvendig.

ADVARSEL!

Hoftebeltet skal justeres for å passe brukeren, slik beskrevet ovenfor. Sunrise Medical anbefaler at beltets lengde og tilpasning kontrolleres regelmessig, for å forsikre om at brukeren ikke har feiljustert beltets lengde ved et uhell.

7.0 Feilsøking

Rullestolen trekker til den ene siden

- Kontroller lufttrykket i dekkene
- Kontroller at hjulene kan svinge lett (hjullagre, aksler)
- Kontroller vinkelen på svinghjulene.
- Kontroller at begge svinghjulene er i god kontakt med bakken

Svinghjulene vakler

- Kontroller vinkelen på svinghjulene.
- Kontroller at alle bolter er festet som de skal; stram til om nødvendig (se avsnittet om Tiltrekkingsmoment)
- Kontroller at begge svinghjulene er i god kontakt med bakken

Rullestolen /kryssrørmontasjen knepper ikke på plass i setet

- Stolen er fortsatt ny, dvs. setetrekke eller ryggstøtten er fortsatt ganske stivt. Dette vil mykes opp jo mer rullestolen brukes.

Rullestolen er vanskelig å legge sammen

- Den justerbare ryggen er strammet for mye. Løsne lett på ryggen.

Rullestolen knirker og skrangler

- Kontroller at alle bolter er festet som de skal; stram til om nødvendig (se avsnittet om Tiltrekkingsmoment)
- Smør de bevegelige delene med en liten mengde smøremiddel

Rullestolen vakler

- Kontroller vinkelen på svinghjulene.
- Kontroller lufttrykket i dekkene
- Kontroller om drivhjulene er justert forskjellig.

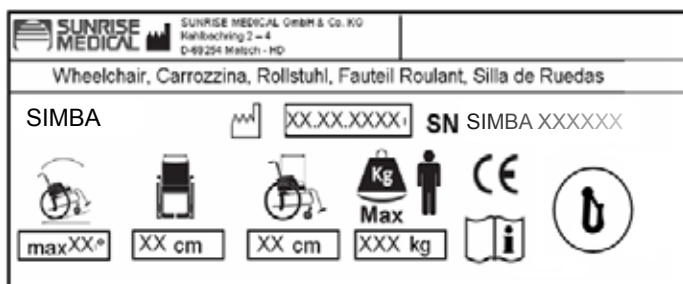
8.0 Merking

Merking

Merkingen er enten plassert på rammekrysset eller på det tverrgående rammerøret, samt på en merkelapp i brukerveiledningen. Merket viser den nøyaktige modellbetegnelsen samt annen teknisk informasjon. Vennligst oppgi følgende informasjon når du bestiller reservedeler eller bruker garantien:

- Serienummer
- Bestillingsnummer
- Måned/År

PRØVE



	Produktnavn/Art.nummer
	Maksimal trygg helling med påmonterte tipesikringer er avhengig av innstillingen for rullestolen, samt brukerens kroppsholdning og funksjonsnivå.
	Produsentsymbol
	Setebredde.
	Dybde (maks).
	Brukervekt (maks).
	CE-merking
	Brukerveiledning.
	Kollisjonstestet.
	Produksjonsdato.
	Serienummer.

Sikkerhetskontroll

Som bruker er du den første til å oppdage eventuelle feil med rullestolen. Vi anbefaler derfor at du alltid kontrollerer følgende før hver bruk av rullestolen:

- at det er riktig lufttrykk i dekkene
- at bremsene fungerer som de skal
- at alle avtakbare deler er forsvarlig festet (f.eks. armlener, benstøtter, hurtigkoblinger, o.l.).
- Hvis du oppdager feil/skader på stolen, ta kontakt med din autoriserte forhandler.

Vedlikehold

- Kontroller lufttrykket i dekkene regelmessig.
- Kontroller regelmessige at ingen av dekkene er slitte eller skadde. Dette skal gjøres minst en gang i året. Skift dekkene så snart de viser tegn på skade eller slitasje.
- Kontroller regelmessig at setet og ryggstøtten ikke er slitt eller skadd. Dette skal gjøres minst en gang i året. Skift disse delene så snart det er tegn på noen form for slitasje eller skade.
- Kontroller regelmessig at ingen ramme- eller ryggkomponenter er slitte eller skadde. Dette skal gjøres minst en gang i året. Skift disse delene så snart det er tegn på noen form for slitasje eller skade.
- Kontroller regelmessig at bremsene ikke er slitte eller skadde. Dette skal gjøres minst en gang i året. Kontroller at de fungerer som de skal og er lette å bruke. Skift bremsene så snart de viser tegn på slitasje eller skade.
- Kontroller regelmessig at alle bolter er forsvarlig festet (se avsnittet om Tiltrekkingsmoment). Dette skal gjøres minst en gang i året. Alle skruer som er vesentlige for rullestolens sikkerhet er utstyrt med sikringsmutre. Sikringsmutre skal kun brukes en gang og må skiftes ut etter bruk.
- Smør hurtigkoblingene med litt symaskinolje ca. hver åttende uke. Vi anbefaler at rullestolen kontrolleres hver 6. måned av et autorisert serviceverksted, avhengig av hvor ofte og hva rullestolen brukes til.
- Rullestolen skal alltid oppbevares på et tørt sted.

Hvis rullestolen skal oppbevares over lengre tid, trenger du ikke gjøre noe mer. Sørg for at rullestolen oppbevares i romtemperatur på et tørt sted utenfor direkte sollys. Rullestolen bør kontrolleres av en autorisert tekniker før den brukes på nytt.

ADVARSEL!

- Hvis det er oppgitt et tiltrekkingsmoment, anbefaler vi på det sterkeste at du bruker en momentnøkkel for å kontrollere at riktig tiltrekkingsmoment er brukt.
- Du skal kun benytte originaldeler som er godkjent av Sunrise Medical. Ikke benytt deler fra andre produsenter som ikke er godkjent av Sunrise Medical.
- Bruk kun milde husholdningsmidler til å vaske rullestolen med når den er skitten. Bruk kun vann og såpe til å rengjøre setetrekket og hoftebeltet.
- Avhengig av hvor ofte og til hvilke formål rullestolen brukes til, anbefaler vi at du tar stolen med til din hjelpemiddelsentral med jevne mellomrom, og da minst en gang i året, for å få den vedlikeholdt på riktig måte.

ADVARSEL!

- Sand, salt og sjøvann kan skade lagrene i hjulene på rullestolen. Rengjør og tørk rullestolen nøye hvis den har vært utsatt for disse elementene.
- Tørk av rullestolen dersom den er våt etter bruk.

Følgende deler kan tas av rullestolen og sendes tilbake til produsenten/forhandleren for reparasjon:

- Drivhjul
- Armlen
- Benstøtter
- Tippesikringer

Hygiene ved gjenbruk av rullestolen:

Rullestolen må rengjøres grundig før den skal brukes av andre. Alle overflater som brukeren kan komme i kontakt med må vaskes med et desinfeksjonsmiddel eller byttes ut med nytt.

Det skal brukes et middel som er oppført på DGHM-listen, f.eks. Antifect Liquid (Schülke & Mayr), et alkoholbasert desinfeksjonsmiddel for medisinske produkter som gir rask effekt.

Følg produsentens instruksjoner nøye ved bruk av desinfeksjonsmiddelet.

Generelt sett er ikke desinfeksjonsmidler garantert å være effektive på sømmer. Vi anbefaler derfor at setet og ryggtrekket skiftes ut for å unngå fare for mikrobakteriell kontaminasjon i henhold til § 6 i loven om beskyttelse mot infeksjoner.

10.0 Tekniske spesifikasjoner

Maks. Total høyde:	1000 mm
Maks. Total lengde:	850 mm
Maks. Snuradius:	650 mm
Maksimal trygg hellingsgrad:	10°
Vekt:	fra 9 kg
Vekt uten drivhjul:	fra 6,9 kg
Vekt tyngste del:	2,1 kg

Maks. Bredde:

CAMBRING	20" DRIVHJUL	22" DRIVHJUL	24" DRIVHJUL
0° camber	SB + 160 mm	SB + 160 mm	SB + 160 mm
3° camber	SB + 200 mm	SB + 210 mm	SB + 220 mm
6° camber	SB + 260 mm	SB + 270 mm	SB + 280 mm
9° camber	SB + 310 mm	SB + 320 mm	SB + 330 mm

Maksimal last:

SIMBA med brukervekt opp til 65 kg

Setehøyder:

Valg av ramme, gafler, svinghjul samt størrelsen på drivhjulene (20", 22", 24") vil avgjøre stolens setehøyde.

Rullestolen overholder følgende standarder:

1. Krav og test for statisk stabilitet, slagmotstand og holdbarhet (ISO 7176-8).
2. Brannsikkerhet (EN 1021-2).

11.0 Deponere /resirkulere materialer

Hvis du har fått rullestolen din av en Hjelpemiddelsentral, er det sannsynlig at den ikke tilhører deg personlig. Hvis du ikke lenger har behov for rullestolen, må du følge instruksjonene om hvordan du skal levere den tilbake til NAV/HMS som lånte den ut til deg.

Følgende informasjon beskriver materialene som er brukt i rullestolen, med henblikk på deponering eller resirkulering av stolen og dens emballasje.

Du må alltid følge de lokale forskriftene angående deponering eller resirkulering av spesialmaterialer. (Forskriftene kan inkludere rengjøring eller dekontaminasjon av rullestolen for deponering).

Aluminium: Svinghjulsgafler, hjul, klesbeskytter, armlenrammer, benstøtter, kjørehåndtak

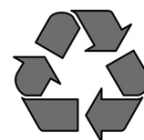
Stål: Festeordninger, hurtigkoblinger

Plast: Håndtak, rørpropper, svinghjul, fotplater, armlensputer samt 12" hjul/dekk.

Emballasje: Lavdensitets-polyetylenpose, pappkartong.

Trekk: Vevd polyester med PVC-belegg og ekspandert brannhemmende skumgummi.

Deponering eller gjenvinning skal gjøres via en lisensiert agent eller på en autorisert avfallsplass. Alternativt kan rullestolen leveres inn hos forhandleren for deponering.



Forord

Kære kunde,

Det glæder os meget, at De har valgt et førsteklasses produkt fra SUNRISE MEDICAL.

I denne brugervejledning kan du finde mange gode råd og idéer, som vil gøre din kørestol til en velkendt og pålidelig partner i dagligdagen.

Det at bevare tæt kontakt med vores kunder betyder meget for Sunrise Medical. Derfor vil vi gerne holde dig informeret om nye og aktuelle produkter. At være tæt på vores kunder betyder også, at vi tilbyder så hurtig og ukompliceret service som muligt i nært samarbejde med kunderne. Hvis du har brug for reservedele eller tilbehør, eller hvis du blot har et spørgsmål angående din kørestol, står vi klar til at rådgive dig.

Vi ser naturligvis helst, at du er tilfreds med vores produkter og service. Hos Sunrise Medical arbejder vi konstant på at forbedre vores produkter. Der kan derfor forekomme ændringer i udvalget af produkter, hvad angår udformning, teknologi og udstyr. Som følge heraf kan der ikke rejses erstatningskrav på baggrund af oplysninger eller illustrationer i denne brugervejledning.

SUNRISE MEDICALS kvalitetsstyringsystem er godkendt i henhold til EN ISO 9001, ISO 13485 og ISO 14001.



Som producent af disse letvægtskørestole erklærer SUNRISE MEDICAL hermed, at de overholder retningslinjen 93/42/EEC.

Hvis De har spørgsmål vedrørende brugen af Deres kørestol, vedligeholdelse eller sikkerhed, bedes De kontakte Deres autoriserede SUNRISE MEDICAL-forhandler.

Såfremt der ikke findes en autoriseret forhandler i dit område, eller hvis du har yderligere spørgsmål, er du velkommen til at skrive eller ringe til os:

Sunrise Medical ApS
Park Allé 289 G
DK-2605 Brøndby
Tlf. 70 22 43 49
Email: info@sunrisemedical.dk
www.SunriseMedical.dk

VIGTIGT:



DU MÅ IKKE BRUGE KØRESTOLEN FØR DU HAR LÆST OG FORSTÅET DENNE VEJLEDNING.

Anvendelse

Kørestole er konstrueret til at anvendes af gangbesværede eller bevægelseshæmmede personer og er udelukkende beregnet til deres personlige brug. Det gælder uanset, om kørestolen anvendes ved egen hjælp eller skubbes af en ledsager, og uanset, om dette sker i brugerens hjem eller udendørs.

Den maksimale brugervægt (som omfatter brugeren og vægten af evt. tilbehør monteret på kørestolen) er angivet på det serienummermærkat, som findes på tværrøret eller støttestangen under sædet.

Garantien gælder kun, såfremt produktet anvendes til de påtænkte formål og under de forudsætninger, der angives i denne vejledning.

Kørestolens forventede levetid er 5 år.

DER MÅ IKKE MONTERES UORIGINALE RESERVEDELE bortset fra den slags, som har Sunrise Medicals officielle godkendelse.

Anvendelsesområde.

Det brede sortiment af ekstraudstyr samt kørestolens modulbaserede konstruktion betyder, at denne kørestol er egnet til brugere, som er gangbesværede eller bevægelseshæmmede på grund af:

- Lammelse
- Tab af lemmer (benamputering)
- Defekte lemmer/misdannelse
- Ledkontraktion/ledskader
- Sygdomme som f.eks. hjerte- eller kredsløbsinsufficiens, manglende balanceevne eller kakeksi. Desuden er kørestolen egnet til ældre personer, som stadig har kræfter i overkroppen.

Inden man henviser til en bestemt kørestolsmodel, bør man tage hensyn til brugerens kropsstørrelse og vægt samt personens fysiske og psykiske helbred, alder, boligforhold og omgivelser.

1.0 Generelle bemærkninger angående sikkerhed og kørselsbegrænsninger	200
2.0 Transportmuligheder	203
3.0 Garanti	205
4.0 Håndtering	206
5.0 Indstillinger	206
Tippepedaler	206
Bremses	206
Justering af fodpladen	207
Svinghjul	208
Sæde	208
Sporing af hjul	209
Ryglæn	210
Sidestykker	211
Skubbehåndtag	211
Tipsikringer	212
Sæde	212
Sædebredde og ekstra sædedybde	213
Stokkeholder	213
Dæk og montering	213
6.0 Forreste lateral støtte (Hoftesele)	214
7.0 Fejlsøgning	216
8.0 Navnemærkat	216
9.0 Vedligeholdelse og rengøring	217
10.0 Tekniske data	218
11.0 Bortskaffelse/Genbrug af materialer	218

3.1 Forklaringer på advarselstekster brugt i denne vejledning

Tekst	Forklaring
 RISIKO!	Gør brugeren opmærksom på mulig risiko for alvorlig personskade eller livsfare, hvis det viste råd ikke overholdes
 ADVARSEL!	Råd til brugeren om risiko for personskader, hvis anbefalingerne ikke følges.
 VIGTIGT!	Gør brugeren opmærksom på mulig risiko for beskadigelse af kørestolen og dens udstyr, hvis det viste råd ikke overholdes
BEMÆRK:	Generelle råd eller oplysninger om bedste fremgangsmåde
	Henviser til yderligere dokumentationsmateriale

BEMÆRK:

De kørestole, der er vist og beskrevet i denne brugervejledning, er muligvis ikke nøjagtigt magen til din egen model. Alle instruktionerne er imidlertid helt relevante, uanset de forskellige detaljer.

Producenten forbeholder sig ret til at ændre enhver form for vægtangivelser, mål eller andre tekniske data indeholdt i denne vejledning uden forudgående varsel. Alle tal, mål og kapaciteter vist i denne vejledning er omtrentlige og udgør altså ikke tekniske specifikationer.

BEMÆRK:

Skriv adresse og telefonnummer på din lokale servicerepræsentant i det blanke felt. I tilfælde af funktionssvigt bør du kontakte vedkommende og forsøge at give dem alle de relevante oplysninger om problemet, så de hurtigst muligt kan hjælpe dig.

Forhandlerunderskrift- og stempel

1.0 Generelle bemærkninger angående sikkerhed og kørselsbegrænsninger



Kørestolen er udviklet og konstrueret sådan, at den yder maksimal brugersikkerhed og enten opfylder eller overgår gældende internationale sikkerhedsstandarder. Ikke desto mindre kan brugere komme til skade ved forkert brug af kørestolen. Af sikkerhedsmæssige grunde skal nedenstående regler overholdes.

Uautoriserede eller ukorrekte tilpasninger eller justeringer øger risikoen for ulykker. Som kørestolsbruger er du en del af den daglige trafik på veje og fortove, ligesom alle andre trafikanter. Derfor vil vi gerne minde dig om, at du dermed skal overholde alle gældende færdselsregler.

Vær forsigtig, når du anvender kørestolen første gang. Lær kørestolen at kende.

Følgende bør kontrolleres hver gang, inden kørestolen anvendes:

- Quick-release aksler på baghjulene
- Velcro på sæde og ryg
- Dæk, dæktryk og bremses.

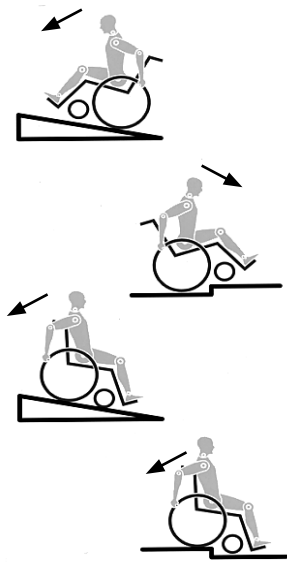


Inden der foretages justeringer af kørestolen, er det vigtigt, at man læser det pågældende afsnit i brugervejledningen.

Huller i vejen eller ujævne overflader kan forårsage, at kørestolen tipper, især ved kørsel op eller ned ad bakker. Læn kroppen forover, når du kører forlæns over en trin eller op ad en skråning.

- Man må ALDRIG overskride den maksimale belastning på 65 kg som gælder for brugeren samt eventuelle ting, der transporteres på kørestolen. Bemærk, at vægtoplysninger for konfigurationer med lettere enkeltdele er angivet separat. Hvis den maksimale belastning overskrides, kan dette medføre skader på kørestolen samt risiko for, at du falder ud, at kørestolen vælter, eller at du mister kontrollen, hvorved du selv og andre kan udsættes for alvorlige personskader.
- For at undgå, at kørestolen vælter, eller at der opstår andre farlige situationer, bør du altid øve dig i brugen af den nye kørestol på en jævn kørselsflade med godt udsyn.
- Denne kørestol må kun bruges af én person ad gangen. Enhver anden form for anvendelse er ikke i overensstemmelse med det tilsigtede formål.
- Undgå brug af fodpladerne ved ind- og udstigning af kørestolen. Fodpladerne bør slås op og svinges så langt ud til siden som muligt, inden du stiger ud eller ind.
- Afhængigt af svinghjulenes diameter og indstilling samt kørestolens tyngdepunkt kan det forekomme, at svinghjulene begynder at slingre ved høje hastigheder. Dermed risikerer man, at svinghjulene blokeres, og at kørestolen tipper forover. Sørg derfor for, at svinghjulene er justeret korrekt (se kapitlet "Svinghjul").
- Det er desuden særligt vigtigt, at man altid sørger for at bremse og køre med nedsat hastighed under kørsel på skråninger. Ved højere hastigheder kan der, afhængigt af kørestolens konfiguration og/eller brugerens fysiske tilstand eller evner, opstå uventet slingren i svinghjulene. Dette medfører risiko for personskader for brugeren.
- Sørg for at afprøve, hvad der sker, når ændringer af tyngdepunktet påvirker kørestolens balance, f.eks. op og ned ad skråninger eller ved kørsel over forhindringer. Dette bør altid udføres med hjælp fra en erfaren ledsager.
- Det anbefales desuden, at uerfarne brugere anvender tipsikringer.
- Tipsikringer monteres for at forhindre, at kørestolen tipper bagover, uden at man har kontrol over den. De bør dog under ingen omstændigheder anvendes i stedet for transithjul eller ved transport af en passager i en kørestol, hvor baghjulene er afmonteret.
- I forbindelse med indstillinger i yderposition (f.eks. hvis baghjulene sidder så langt fremme som muligt), hvor brugeren ikke har den rette kropsholdning, risikerer man, at kørestolen vælter selv på jævne kørselsflader.
- Sørg for at læne overkroppen fremad ved kørsel op ad skråninger og trin.
- Sørg for at læne overkroppen tilbage ved kørsel op ad skråninger og trin.
- Når man bruger mobilitetstilbehør, som monteres på kørestolen, såsom håndcykel, elektronisk kraftassistance osv., skal man sørge for, at kørestolen er udstyret med de passende svinghjulsgafler til dette formål. Kontakt din forhandler, hvis du har spørgsmål.
- Bemærk, at i visse konfigurationer kan kørestolen overstige en bredde på 700 mm. Hvis det er tilfældet, vil det under visse omstændigheder ikke være muligt at bruge nogle eller alle tilgængelige flugtveje i en bygning. Det kan blive besværligt eller umuligt at rejse med offentlig transport.

Fig. A



RISIKO!

- Der må ikke hænges tunge varer, som for eksempel indkøbsposer eller rygsække på kørestolens skubbehåndtag, nakkestøtte eller ryglæn.
- Dette kan ændre balancepunktet, og der er risiko for at kørestolen tipper bagover.
- Når du rækker ud efter noget (hvad enten det befinder sig foran, ved siden af eller bag ved kørestolen), skal du altid sørge for, at du ikke læner dig for langt ud, idet en eventuel ændring af tyngdepunktet medfører risiko for, at kørestolen tipper eller vælter.
- Sørg for altid at anvende kørestolen på forsvarlig vis. F.eks. bør du altid undgå at køre ind mod eller over forhindringer (såsom trin og kantsten) uden at bremse imens, og du bør ikke køre hjulene hårdt ned i huller, mellemrum o.l.
- Kørsel på trapper bør kun ske med hjælp fra en ledsager. Der findes særligt udstyr til hjælp med f.eks. kørsel på ramper eller af og på kørestolslift, og dette bør anvendes videst muligt. Hvis der ikke er egnet udstyr til rådighed, skal kørestolen tippes bagover og skubbes - men aldrig bæres - hen over forhindringen (dette kræver 2 ledsagere).
- Normalt bør enhver form for tipsikringer, som er monteret på kørestolen, indstilles forud for forcering af trin o.l., så de ikke kan komme i kontakt med forhindringen. I modsat fald risikerer man at komme alvorligt til skade, hvis kørestolen vælter. Efter forceringen skal tipsikringerne indstilles, så de sidder i den rette position igen.
- Sørg for, at ledsageren kun holder i kørestolen ved hjælp af de dele, der sidder forsvarligt fast (dvs. ikke fodstøtterne eller sidestykkerne).
- Når man anvender kørestolslift, skal man sørge for, at eventuelle påmonterede tipsikringer er placeret, så de ikke rager ud over platformen.
- Fastgør din kørestol er på en ujævn overflade, eller ved overførsel til og fra kørestolen (f.eks. ind og ud af en bil) ved brug af bremsehåndtagene.
- Hvis brugerens ben er amputeret ved låret, skal der anvendes tipsikringer.
- Se efter, om dæktrykket er korrekt, inden du begynder at køre. I baghjul bør det være mindst 3,5 bar (350 kPa). Det maksimale tryk er angivet på dækket.
- Knæledsbremserne fungerer kun, hvis der er tilstrækkelig højt dæktryk, og indstillingerne er udført korrekt (se kapitlet "Bremsehåndtag").
- Bremserne er ikke beregnet til at bremse en kørestol i bevægelse. De er kun monteret for at sikre, at kørestolen ikke pludselig begynder at køre af sig selv. Når du stopper på en ujævn overflade, bør du altid bremse kørestolen for at undgå, at den kører af sig selv. Slå altid begge bremser til, da kørestolen ellers kan tippe.
- Bremserne er ikke beregnet til at bremse en kørestol i bevægelse.
- Gør altid brug af elevatorer og ramper. Hvis de ikke findes på steder, hvor det er relevant, bør du bede en ledsager om hjælp. Kørestolen må kun løftes i de dele, der er forsvarligt monteret. Hvis der er monteret tipsikringer skal disse fjernes/drejes væk inden løftet Kørestolen må kun skubbes og aldrig løftes, hvis der sidder en person i den.

RISIKO!

- Hvis sædet og rygpolstringen er beskadiget, skal de udskiftes med det samme.
- Kørestolen må hverken løftes eller bæres i rygrørene eller skubbehåndtagene.

- Der må ikke monteres noget uautoriseret elektronisk udstyr, drevet eller mekanisk betjent bevægelsesdrev, håndgreb eller andre anordninger, som ændrer kørestolens tilsigtede formål eller struktur.
- Alle kombinationer med andet medicinsk udstyr skal godkendes af Sunrise Medical.
- Vær ekstra forsigtig i nærheden af åben ild, især glødende cigaretter. Sædet og rygpolstringen er fremstillet af materialer, som let kan antændes.
- Ved transport i et køretøj udstyret specielt til handicapbrug skal passagererne for så vidt muligt altid bruge de fastmonterede sæder og forsvarlige sikkerhedsseler i køretøjet. Det er kun ved at følge denne metode, at man kan sikre passagerernes bedst mulige beskyttelse i tilfælde af biluheld. Under forudsætning af, at der anvendes sikkerhedsudstyr, som forhandles af SUNRISE MEDICAL, samt et sikkerhedssystem udformet specielt til dette formål, kan letvægtskørestole anvendes som sæde ved handicaptransport i særligt indrettede motorkøretøjer. (Yderligere oplysninger findes i kapitlet "Transport").
- Sørg altid for, at quick-release-akslerne på baghjulene er indstillet korrekt og forsvarligt fastlåst. Hvis knappen på quick-release-akslen ikke er trykket ind, kan baghjulet ikke tages af.
- Især ved brug af drivringe i letvægtsmetal er der risiko for, at man brænder fingrene ved hårde opbremsninger, eller når der bremses på lange skråninger.
- Hvis kørestolen udsættes for direkte sollys gennem længere tid, kan dens enkelte dele (f.eks. stel, benstøtter, bremser og sidestykker) blive meget varme ($>41^{\circ}\text{C}$).
- For at undgå skader på hænderne bør man lade være med at gribe mellem egerne eller mellem baghjulet og bremsen, mens kørestolen er i bevægelse.
- Når kørestolen anvendes udendørs, bør man altid bære læderhandsker for at få et bedre greb og beskytte hænderne mod snavs og overopvarmning.
- Kørestolen må ikke anvendes på skråninger $> 10^{\circ}$.
- Den maksimale hældningsgrad for sikker kørsel på skråninger er dynamisk, dvs. den afhænger af kørestolskonfigurationen, brugerens fysiske evner samt den måde, brugeren kører på. Eftersom brugerens fysiske evner og måde at køre på er forskellige fra person til person, kan den maksimale hældningsgrad for sikker kørsel ikke angives her. Denne hældningsgrad skal derfor fastslås af brugeren selv med hjælp fra en ledsager for at undgå, at kørestolen tipper på skråninger. Det anbefales på det kraftigste, at uerfarne brugere får monteret tipsikringer på kørestolen.
- Kørestolen må ikke anvendes på mudrede eller isglatte kørselsflader.
- Kørestolen må ikke anvendes på steder, hvor der ikke er adgang for fodgængere.
- Som for alle bevægelige dele, er der en naturlig risiko for at fingrene kommer i klemme. Du bedes håndtere den med forsigtighed.
- Kørestolen bør ikke anvendes i stærk regn, i sne eller glat føre, eller hvor kørselsfladen er i uforsvarlig stand.
- Kørestolen må ikke anvendes i farlige omgivelser.

ADVARSEL!

KVÆLNINGSFARE – Dette mobilitetshjælpemiddel bruger små dele, som under visse omstændigheder kan udgøre en kvælningsfare for små børn.

ADVARSEL!

Justeringer af kørestolen, især justeringer af sikkerhedsrelaterede komponenter skal foretages af en autoriseret forhandler. Det gælder justeringer af bremses, tipsikringer, ryglæns højde og vinkel, nederste benlængde, tyngdepunktet (COG), hoftesele, tilspidsning af baghjul og kammer, sædehøjde samt svinghjulgaflens tilspidsning og retningsstabilitet.

BEMÆRK:

- Knæledsbremsens funktion såvel som de generelle køreegenskaber afhænger af dæktrykket. Kørestolen føles betydeligt lettere og er nemmere at manøvrere, når baghjulene er pumpet ordentligt op, og der er samme dæktryk i begge hjul.
- Sørg for, at der er slidbanemønster nok på alle dækkene!
- Husk, at du til enhver tid skal overholde de gældende færdselsregler, når du færdes i offentlig trafik.
- Når du færdes i mørke, bør du altid være iført lyst tøj eller tøj med reflekser, så du bedre kan ses. Sørg for, at reflekserne i hver side og bag på kørestolen er fuldt synlige. Det anbefales også, at du monterer en egentlig lygte på kørestolen.
- Pas altid på, at du ikke får fingrene i klemme, når du arbejder med eller justerer kørestolen!
- De kørestole, der er vist og beskrevet i denne brugervejledning, er muligvis ikke nøjagtigt magen til din egen model. Alle instruktionerne er imidlertid helt relevante, uanset de forskellige detaljer.
- Producenten forbeholder sig ret til at ændre enhver form for vægtangivelser, mål eller andre tekniske data indeholdt i denne vejledning uden forudgående varsel. Alle tal, mål og kapaciteter vist i denne vejledning er omtrentlige og udgør altså ikke tekniske specifikationer.

Brugstid

- Kørestolens forventede levetid er 5 år.

2.0 Transportmuligheder

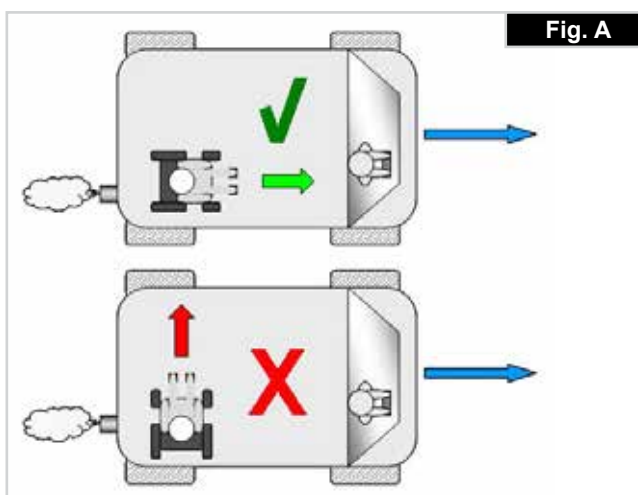
RISIKO!

Hvis dette påbud ikke overholdes, er der risiko for alvorlige personskader eller livsfare!

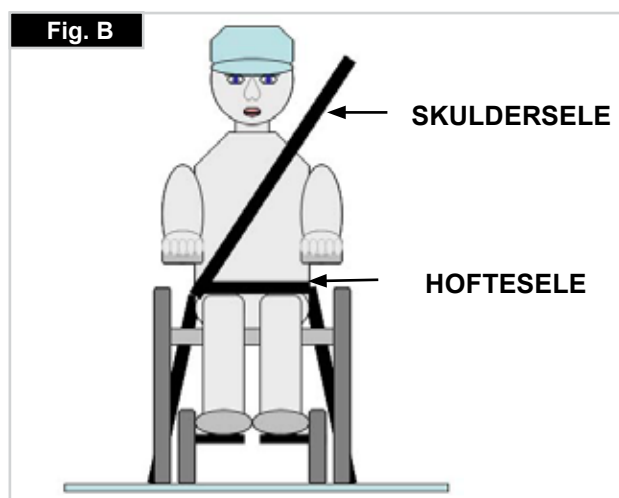
Transport af kørestolen i et køretøj:

En kørestol, der er fastspændt i et køretøj, giver ikke samme sikkerhed og beskyttelse under transporten, som hvis man bruger køretøjets faste sæder og sikkerhedsseler. Det anbefales altid, at brugeren flyttes over i køretøjets faste sæder. Vi erkender imidlertid, at det ikke altid er praktisk muligt at flytte brugeren. Under sådanne omstændigheder, hvor det er nødvendigt, at brugeren transporteres siddende i kørestolen, skal følgende råd overholdes nøje:

1. Sørg for at få bekræftet, om køretøjet er monteret med det rette udstyr til transport af en passager i kørestol, og om ind- og udgangsforholdene passer til den type kørestol, du anvender. Køretøjets bund skal være kraftig nok til at bære den samlede vægt af brugeren, kørestolen og evt. tilbehør.
2. Der bør være plads nok rundt om kørestolen til, at man let kan komme til at fastgøre, stramme og løsne såvel bespændingssystemet som sikkerhedsselerne.
3. Med brugeren siddende i kørestolen skal den placeres i kørselsretningen og fastspændes ved hjælp af kørestolsbespænding samt et sikkerhedsseselsystem til brugeren (hvor både fastspændings- og sikkerhedsseselsystemet opfylder kravene i DS/ISO 10542-2 eller SAE J2249) i henhold til producentens vejledning for brugen af pågældende systemer.
4. Kørestolen er ikke afprøvet til at placeres i andre retninger i et køretøj, og den må derfor under ingen omstændigheder transporteres i sidelæns retning (Fig. a).
5. Kørestolen skal spændes fast ved hjælp af et 4-punktssystem til kørestolsbespænding, som opfylder kravene i ISO 10542 eller SAE J2249. Disse systemer omfatter ikke-justerbare remme foran og justerbare remme bagpå, som normalt fastgøres ved hjælp af karabinhager eller S-kroge samt spænder med han- og hun-dele. Disse bespændingssystemer består normalt af 4 individuelle remme, som fastgøres til hvert hjørne af kørestolen.
6. Fastspændingsremmene bør monteres på selve kørestolsstellet som illustreret på næste side og må altså ikke føres rundt om påmonterede dele eller tilbehør såsom hjulenes eger, bremserne eller fodstøtterne.
7. Fastspændingsselerne bør monteres så nær ved en 45° vinkel som muligt og derefter spændes forsvarligt i henhold til producentens vejledning.



8. Der må ikke udføres ændringer af kørestolens fastspændingspunkter eller af de konstruktionsmæssige komponenter eller steldele uden forudgående henvendelse til producenten. I modsat fald kan en Sunrise Medical-kørestol ikke længere betragtes som egnet til transport i et køretøj.
9. Kørestolsbrugeren skal fastspændes med såvel hofte- som skulderseler. Dermed nedsættes risikoen for, at vedkommende slår hovedet eller brystkassen mod andre dele af køretøjet samt risikoen for andre alvorlige skader på brugeren og andre personer i køretøjet. (Fig. B) Skulderselen skal monteres på B-søjlen i køretøjet - i modsat fald udsættes brugeren for øget risiko for alvorlige skader på underlivet.
10. En nakkestøtte, som er egnet til transport (oplysninger om dette findes på nakkestøttens mærkat) skal være monteret og hensigtsmæssigt indstillet under transporten.
11. Udstyr beregnet til kropsstøtte (f.eks. hofteremme eller hofteseler) må ikke bruges til fastspænding i køretøjet og må især ikke anvendes som den eneste form for fastspænding af kørestolsbrugeren under transport i et køretøj, medmindre udstyret er godkendt og mærket i henhold til ISO 7176-19:2001 eller SAE J2249.
12. Kørestolsbrugers sikkerhed under transporten afhænger af, hvor omhyggeligt arbejdet udføres af den person, der er ansvarlig for at fastgøre kørestolsbespændingen, og de skal have modtaget relevante instruktioner og/eller træning om anvendelsen.
13. Man bør for så vidt muligt afmontere alt hjælpeudstyr fra kørestolen og opbevare det på sikker afstand af kørestolen, f.eks.:
14. stokke, løse puder og bordplader.
15. Benstøtter med hævefunktion eller leddelt indstilling bør ikke anvendes i hævet position under transport af kørestol og bruger, hvis der samtidig anvendes kørestolsbespænding samt et sikkerhedsseselsystem til fastspænding af kørestolsbrugeren.
16. Ryglæn med tilbagelæning bør indstilles i opretstående position.
17. De manuelle bremses skal slås til, så de griber forsvarligt fast i dækkene.
18. Sikkerhedsseler skal monteres på B-søjlen i køretøjet. Pas på, at selen ikke holdes væk fra kroppen på grund af kørestolskomponenter såsom armlæn eller hjul, der kan sidde i vejen for selen.



Vejledning i fastspænding af kørestolsbruger:

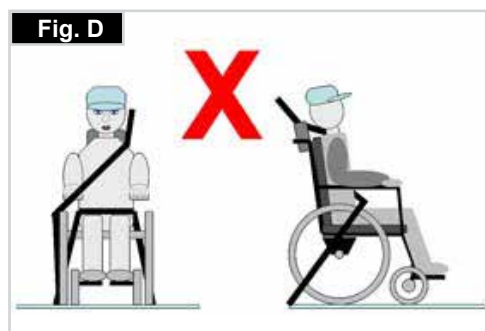
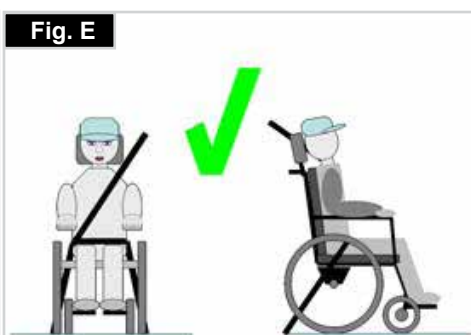
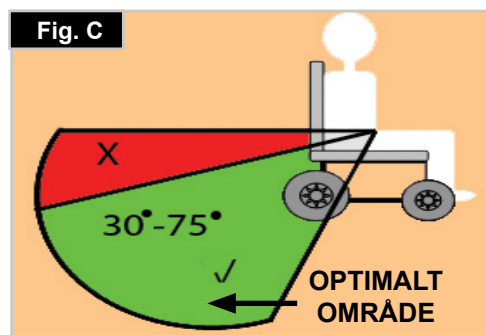
1. Hofteselen skal bæres lavt hen over den forreste del af bækkenet, så hofteselens vinkel ligger inden for det optimale område på 30-75° i forhold til vandret.
2. Ideelt bør man forsøge at opnå en mere skråtstillet (dvs. større) vinkel inden for det optimale område, dvs. tæt på, men aldrig større end 75°. (Fig. C).
3. Skuldreselen skal sidde korrekt ned over skulderen og skråt hen over brystkassen som vist på billedet (Fig. D og E).
4. Sikkerhedsseleer skal strammes så meget, som det kan lade sig gøre uden at føles ubehageligt for brugeren.
5. Sikkerhedsseleernes remme må ikke være snoet under brugen.
6. Skuldreselen skal sidde korrekt ned over skulderen og skråt hen over brystkassen som vist på billedet (Fig. D og E).
7. Kørestolens fastgøringspunkter findes på den indre del af det forreste stel, lige over svinghjulet og det bagerste sidestel. Selerne monteres rundt om sidestellene på det punkt, hvor de vandrette og lodrette stelrør krydser hinanden. (Se Fig. G - H)
8. Symbolet for fastgøring (Fig. F) på kørestolsstellet viser, hvor fastspændingsremmene skal placeres. Remmene skal strammes efter, når de forreste remme er monteret for at holde kørestolen på plads.

BRUGER DER VEJER MINDRE END 22 kg

Når den bruger, der transporteres, er et barn, der vejer mindre end ialt 22 kg, og det involverede køretøj har mindre end otte (8) siddende passagerer, anbefales det at de overføres til et UNCE Regulation 44-kompatibelt børnesikkerhedssystem (CRS). Denne type børnesikkerhedssystem giver passageren et mere effektivt sikkerhedssystem end det traditionelle 3-punkts sikkerhedssystem, og nogle CRS-systemer omfatter yderligere holdningsstøtte, der hjælper med at bevare barnets siddestilling. Forældre eller plejere kan overveje muligheden i nogle tilfælde for deres barn at blive i kørestolen mens de transporteres, på grund af barnets kropsholdningskontrol og kørestolens indstillinger. I sådanne tilfælde anbefaler vi at dit professionelle sundhedspersonale og relevante kompetente personer udfører en risikovurdering.

Transportmuligheder – fastspændingsremmenes placering på kørestolen

- Kørestolen er fastgjort ved hjælp af forhjulenes fastspændingsseler. (Fig. G).
- Placering af kørestolens bagerste fastspændingssele, (Fig. H).



GARANTI**DENNE GARANTI INDSKRÆNKER IKKE DINE RETTIGHEDER I HENHOLD TIL KØBELOVEN.**

Sunrise Medical* yder en garanti, som anført i garantibetingelserne for kørestole til sine kunder, der dækker følgende

Garantibetingelser

1. Hvis en del eller dele kørestolen har brug for reparation eller udskiftning på grund af en produktions- og/eller materialefejl inden for 24 måneder, eller for ramme og tværbeslag inden for 5 år fra levering til kunden, bliver den påvirkede del repareret eller udskiftet gratis. (Batterierne er dækket af garantien i en periode på 12 måneder, betinget af, at den korrekte vedligeholdelse for batteriet følges)
2. For at håndhæve garantien, skal du kontakte Sunrise Medical kundeservice med nøjagtige oplysninger om problemets beskaffenhed. Såfremt du anvender kørestolen uden for din Sunrise Medical-servicerepræsentants område, skal reparationer og udskiftninger i henhold udføres af en anden part anvist af producenten. Kørestolen skal repareres af en Sunrise Medical autoriseret kundeservicemedarbejder (forhandler).
3. For dele, som er blevet repareret eller udskiftet indenfor denne garanti, giver vi en garanti i overensstemmelse med disse garantivilkår for kørestolens resterende garantiperiode i henhold til punkt 1).
4. For originale reservedele, der er blevet monteret på kundens regning, er disse dækket af en garanti på 12 måneder, (efter monteringen), i overensstemmelse med disse garantibetingelser.
5. Forbrugsdele såsom puder, dæk, slanger og lignende dele er ikke dækket af garantien, undtagen i tilfælde af for tidlig slitage af den del, er et direkte resultat af en fabrikationsfejl.
6. Erstatningskrav fra denne garanti kan ikke forekomme, for reparationer eller udskiftninger på kørestolen nødvendiggjort som følge af, at
 - a) Kørestolen eller delen ikke er vedligeholdt i henhold til producentens anbefalinger som angivet i brugervejledningen og/eller den tekniske vejledning.
 - b) Der er anvendt andet tilbehør end det, der er angivet som originalt tilbehør fra producentens side.
 - c) Kørestolen eller delen er beskadiget som følge af misligholdelse, uheld eller uhensigtsmæssig brug.
 - d) Ændringer/modificeringer er blevet foretaget på kørestolen eller dele, der afviger fra fabrikantens specifikationer.
 - e) Hvis der er foretaget reparationer, inden kundeservice er blevet informeret om omstændighederne.
7. Denne garanti er omfattet af loven i det land, hvor produktet blev købt fra Sunrise Medical"

* *Betyder den Sunrise Medical forhandler hvorfra produktet blev købt.*

4.0 Håndtering

Quick-release-aksler på baghjulene

Baghjulene er forsynet med quick-release-aksler.

Hjulene kan derfor monteres eller afmonteres uden brug af værktøj.

Hjulene afmonteres ved at trykke på quick-release-knappen på akslen (1), så hjulet kan trækkes af (Fig. 3).



VIGTIGT!

Quick-release-knappen på akslen skal holdes nede, mens akslen skubbes på plads i stellet for at montere baghjulene.

Slip knappen for at låse hjulet på plads. Quick-release-knappen fastlåses igen i udgangspositionen.

Sådan transporteres kørestolen

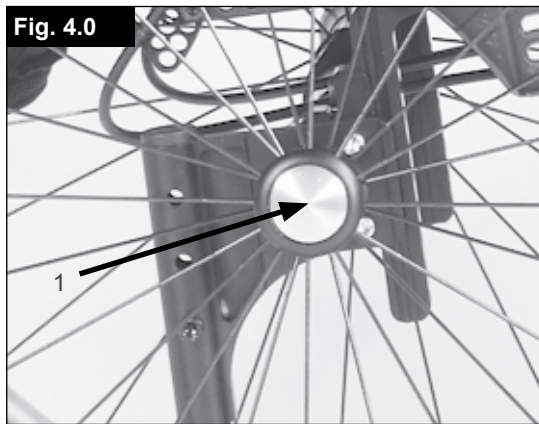
Når baghjulene tages af, bliver stolen så kompakt som muligt.

Ryglænet kan klappes ned ved træk i snoren bag på ryglænet.

For at flytte den ledige kørestol, bør kørestolen løftes ved at holde den forreste del af remmen og skubbehåndtagene.

Når man transporterer kørestolen uden bruger i en bil, skal den fastspændes.

Fig. 4.0



5.0 Indstillinger

Tippepedaler

Tippepedal bruges af ledsagere til at skubbe en kørestol over en forhindring. Der skal ganske enkelt trædes på røret for at skubbe kørestolen over f.eks. en kantsten eller et trin, (Fig. 5.1).

Bremser



VIGTIGT!

Bremsefunktionen kan nedsættes, hvis bremserne er forkert monteret og/eller justeret, eller hvis dæktrykket er for lavt.

Bremser

Din kørestol er udstyret med to sæt bremser. De aktiveres med direkte kontakt til dækkene. Bremserne aktiveres ved at skubbe begge bremsehåndtag fremad, så de støder mod stopklodserne. Bremserne frigøres ved at skubbe bremsehåndtagene tilbage til udgangspositionen.

Følgende medfører nedsat bremsefunktion:

- Slidte dæk
- For lavt dæktryk
- Våde dæk
- Forkert indstilling af bremserne.

Bremserne er ikke beregnet til at bremse en kørestol i bevægelse.

Bremserne må derfor aldrig bruges til at bremse kørestolen, mens den er i bevægelse. Brug altid drivringene/håndringene til at bremse kørestolen. Sørg for, at afstanden mellem dæk og bremser opfylder de angivne specifikationer. Afstanden justeres ved at løsne skruen (1), hvorefter den passende afstand kan indstilles. Spænd skruerne igen (se siden om tilspændingsmoment) (Fig. 5.2).

Standard hjullås

(Fig. 5.3)

Fig. 5.1



Fig. 5.2

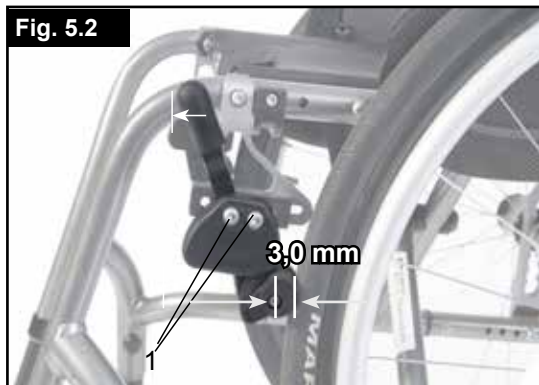


Fig. 5.3



Kompakt bremsehåndtag

Kompaktbremserne sidder under sæderemmen og betjenes ved at trække selve bremsene bagud i dækkets retning. For at disse bremsere skal kunne fungere korrekt, skal man trække i dem, indtil de støder mod stopklodserne (Fig. 5.4).

⚠️ VIGTIGT!

- Hvis bremsene ikke monteres korrekt, kan det resultere i at kørestolen er sværere at betjene. Dette kan medføre at bremseforlængerer til hjullåsene bliver ødelagt!
- Monteringsboltene til bremsene må ikke løsnes og/eller spændes igen.

"Safari"-bremse (bremse indbygget i sidestykkerne):

Safari-bremserne betjenes ved at skubbe håndtaget fremad (væk fra brugerens krop).

Bremsene frigøres ved at trække bremsehåndtaget ind mod brugeren igen (Fig. 5.5).

Forlænger til bremsehåndtaget

Ved brug af forlænger kræves der kun et minimum af kræfter til betjening af bremsene.

Forlængerer er skruet fast til bremsene.

Hvis den hæves kan den drejes fremad (Fig. 5.6).

⚠️ VIGTIGT!

Hvis bremsene ikke monteres korrekt, kan det resultere i at kørestolen er sværere at betjene. Dette kan medføre, at forlængerer til bremsehåndtaget knækker.

Justering af fodpladen

⚠️ VIGTIGT!

- Man må ikke stå på fodpladen! Selvom brugeren sidder i kørestolen, kan det stadig få kørestolen til at tippe og vælte med risiko for personskade.
- Undgå at stå på fodpladen ved overførsel til og fra kørestolen. I modsat fald kan det få kørestolen til at tippe og vælte med risiko for personskade.

Justering af fodstøtten

Hvis skruer (1) fjernes, kan fodstøtten justeres, så den svarer til din underbenslængde, hvorefter den nemt kan monteres igen. Fodstøttens vinkel kan justeres enkeltvis (det gælder dog ikke fodstøtten med bøjle) ved at løsne skrue (2). Side afskærmningen på fodstøtten hindrer fødderne i at glide ved et tilfælde. Sørg for, at alle skrue er spændt korrekt efter justeringen (se siden vedr. tilspændingsmomenter) (Fig. 5.7).

Opklappelig fodstøtte:

Fodstøtten kan vippes bagover, hvilket kan gøre det lettere for brugeren at blive flyttet til / fra stolen. Fodstøtten vippes op ved at hæve den forreste del. Når fodstøtten skal tilbage til udgangspositionen, slår man den forreste del ned igen (Fig. 5.8).

Fodstøtte, højt monteret:

Denne type fodstøtte er monteret indvendigt på stellet, så den kan placeres højere end normalt (Fig. 5.9).

⚠️ VIGTIGT!

De skrue/bolte, der anvendes på denne kørestol har fået påført gevindlåsende væske på fabrikken. Derefter skal de udskiftes eller alternativt genmonteres med en gevindlås til en medium stramhed.

Fig. 5.4



Fig. 5.5



Fig. 5.6



Fig. 5.7

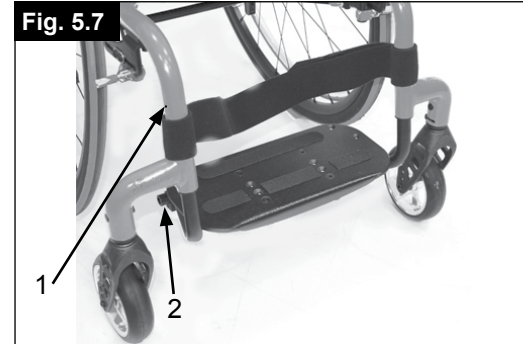


Fig. 5.8

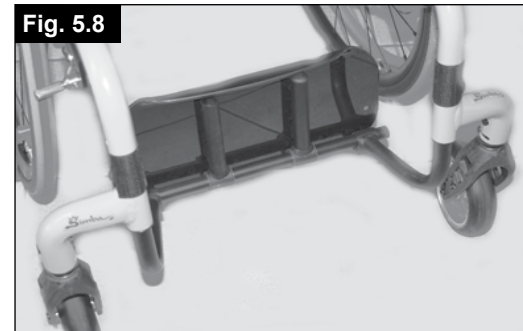


Fig. 5.9



Svinghjul

Svinghjul, svinghjulsophæng, svinghjulscaffel

Det kan ske, at kørestolen trækker en anelse mod højre eller venstre, eller at svinghjulene slingrer.

Dette kan skyldes følgende:

- Hjulenes forlæns og/eller baglæns bevægelse er ikke indstillet korrekt.
- Cambringene er ikke indstillet korrekt.
- Svinghjulene eller baghjulene har forkert dæktryk; hjulene drejer ikke, som de skal.

Svinghjulene skal justeres optimalt, for at kørestolen kan køre lige.

Svinghjulene bør altid justeres af en autoriseret forhandler. Svinghjulsophængene skal genindstilles, og bremserne skal kontrolleres, hver gang der er foretaget ændringer af baghjulenes position.

Indstilling af svinghjul

Man kan nemt kontrollere, om forgaflerne er indstillet parallelt, ved at tælle de synlige riller/tappe på begge sider. Når svinghjulscaffelen er indstillet, sidder den ved hjælp af tappene i en forsvarlig position, men kan stadig justeres 2° ad gangen op til 16°. Brug den glatte overflade til at kontrollere, om gaffelen sidder vinkelret på kørselsfladen.

Det patentbeskyttede design betyder, at svinghjulscaffelen kan drejes, så den igen kan indstilles vinkelret på kørselsfladen, når sædehældningen ændres, (Fig. 5.10 + 5.11).

Indstilling af retningsstabiliteten

Udløs unbrakoskruerne (1) under forgaflen hvorefter du kan løsne skruerne (2).

Nu kan du dreje den sorte muffe (3) mod venstre eller højre.

Mod venstre – kørestolen trækker mod venstre

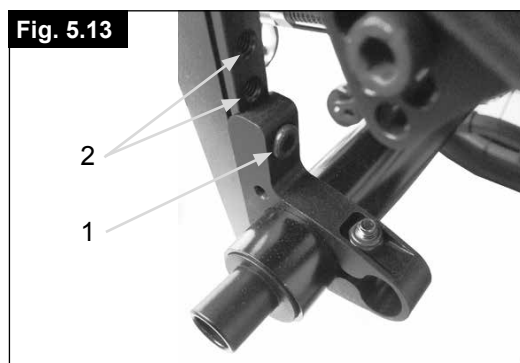
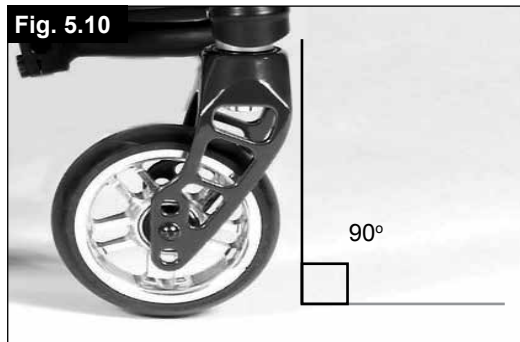
Mod højre – kørestolen trækker mod højre

Stram derefter skruerne (2) igen. Sørg for, at der er en vinkel på 90° fra gaffelen til gulvet.

Stram derefter skruen (1) igen. (Fig. 4.16).



De skruer/bolte, der anvendes på denne kørestol har fået påført gevindlåsende væske på fabrikken. Derefter skal de udskiftes eller alternativt genmonteres med en gevindlås til en medium stramhed.



Sæde

Indstilling af sædehøjden

For at justere bagsædets højde, skal unbrakoskruen (1) udløses og fjernes (1) (en på hver side), der fastgør klemmen, (2) på akselpladen. Indstil begge cambringsrørenes bøjler (2) i den ønskede højde, og sæt de to unbrakoskruer i igen. Inden skruerne spændes fast, skal man følge anvisningerne for nulstilling af spidsning og spredning.

Skruerne spændes med 10 Nm. (Fig. 5.13)



- Justering af bagerste sædehøjde kan medføre, at svinghjulsvinklen også skal justeres.
- De skruer/bolte, der anvendes på denne kørestol har fået påført gevindlåsende væske på fabrikken. Derefter skal de udskiftes eller alternativt genmonteres med en gevindlås til en medium stramhed.

Sporing af hjul

Sporing af hjulene

Vigtigt: For at opnå den optimale bevægelsesfrihed skal baghjulene justeres, så de sidder i den bedst mulige position. Dette indebærer, at man indstiller hjulene med den korrekte sporing.

Det gør man ved at måle afstanden mellem begge sæt for- og baghjul for at sikre, at de sidder parallelt. Forskellen mellem de to mål må ikke være mere end 5 mm.

For at justere hjulene parallelt, skal man løsne skrueerne og dreje akselbøsningen tilsvarende. Sørg for, at alle skrueer er spændt korrekt efter justeringen (se siden vedr. tilspændingsmomenter).

SIMBA justering af sporing

Nulstilling af spidsning og spredning:

BEMÆRK: På kørestole, hvor cambringscylinderne er 0°, kan spidsning og spredning ikke indstilles. Denne indstilling gælder kun for cambringscylindere på 3°, 6° og 9°.

Udtrykket "spidsning og spredning" betegner, hvor effektivt kørestolens baghjul er rettet ind i forhold til kørselsfladen. Det er afgørende for, hvor godt kørestolen kører. Der opstår normal køre- eller rullemodstand, når spidsningen er nulstillet.

Sådan nulstilles spidsning og spredning: Løsn de unbrakoskrueer (1) (en på hver side), der sikrer vinkelrørets klemme. Hold øje med kuglen i den vandrette del (2), og drej på cambringsrøret (3), indtil kuglen ligger i midten. Spidsningen er dermed nulstillet.

Inden du spænder skrueerne (1), bør du kontrollere, om cambringsrøret er centreret fra venstre mod højre. Der skal enten være samme mellemrum på begge sider eller slet intet mellemrum. Skrueerne spændes med 10 Nm (Fig. 5.14 - 5.16).

Fig. 5.14



Fig. 5.15

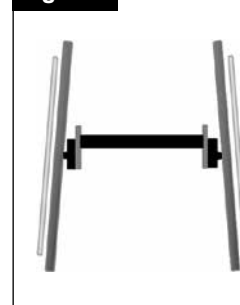
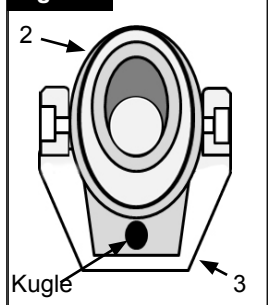


Fig. 5.16



Justering af hjulafstandens bredde

⚠ VIGTIGT!

Når du justerer den bagerste hjulafstand, skal du justere hjulene ét ad gangen. Hvis begge sider løsnes samtidig, påvirkes justeringen af spidsning og spredning. Når den bagerste hjulafstand skal justeres, skydes de teleskopiske cambringsdele (4) ind eller ud af cambringsrøret (6), til de låses fast i endestykket. Skruen (6) på venstre side af kørestolen løsnes (dvs. den skrue, der sidder tættest på cambringsrøret).

Quick-release-akslen skubbes indad eller udad for at opnå den ønskede hjulafstand. Skrueerne spændes med 10 Nm. Samme metode anvendes på stolens højre side, og mellemrummet justeres, så det svarer til afstanden på venstre side (Fig. 5.17).

⚠ VIGTIGT!

De skrue/bolte, der anvendes på denne kørestol har fået påført gevindlåsende væske på fabrikken. Derefter skal de udskiftes eller alternativt genmonteres med en gevindlås til en medium stramhed.

Fig. 5.17



Ryglæn

Vinkeljusterbart ryglæn

Ryglænsvinklen justeres ved at ændre ryglænsstellets position. Skruerne (1) løsnes og fjernes i begge sider. Derefter justeres ryglænsstellet, indtil ryglænet har den ønskede vinkel. Efter justeringen skal skruerne (1) atter spændes, så de sidder forsvarligt fast (Fig. 5.18)



VIGTIGT!

Sørg for at spænde skruerne igen. Ellers kan ryglænet ikke blive siddende i den indstillede vinkel.

Nedfældeligt ryglæn

Udløs ryglænet ved at trække i ledningen, og samtidigt skubbe den fremad for at folde den ned. Når ryglænet skal slås op i udgangspositionen igen, skal du sørge for at trække det så langt bagud som muligt, indtil det låses på plads i begge sider.



RISIKO!

Hvis ryglænet trækkes for langt bagud, kan brugeren falde baglæns ud af kørestolen, når bremsene slås til. Husk derfor altid at se efter, om ryglænet låses på plads i begge sider.



ADVARSEL!

Pas på ikke at få fingrene i klemme, når du slår ryglænet ned.

Ryglæn i hvileposition

Ryglænet kan indstilles i hvileposition med en ryglænsvinkel på 10°. Træk i den snor, der udløser ryglænet, og træk det bagud, indtil begge ryglænsrør låses på plads.



ADVARSEL!

Hvis ryglænet trækkes for langt bagud, kan brugeren falde baglæns ud af kørestolen, når bremsene slås til. Husk derfor altid at se efter, om ryglænet låses på plads i begge sider.



ADVARSEL!

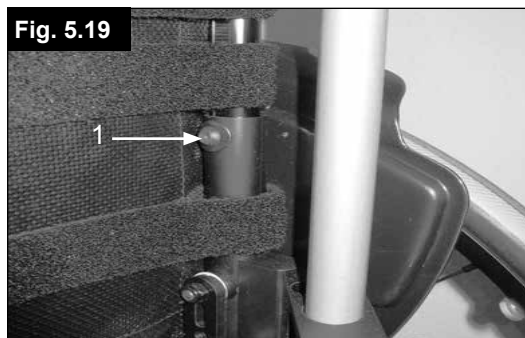
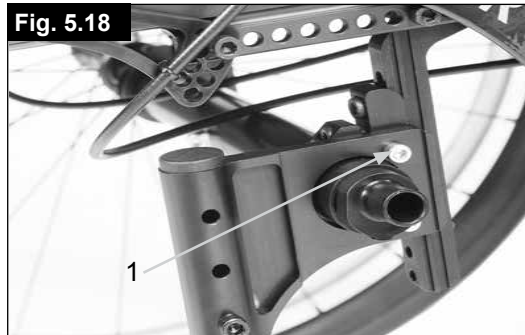
Pas på ikke at få fingrene i klemme, når du slår ryglænet ned.

Justerbar ryg polstring

Remmen kan gøres mere eller mindre stram ved at justere velcrolukningerne. Polstringsmaterialet i rygstøtten kan fjernes via en indvendig åbning, så polstringen kan tilpasses individuelle behov.

Vinkeljusterbare ryglæn

Ryglæns højden kan sættes i forskellige højder med 2,5 cm ad gangen. Indstillingsområderne er 20-25 cm, 25-30 cm, 30-35 cm og 35-40 cm. Skruerne (1) løsnes, og ryglænet indstilles i den ønskede højde. Spænd skruerne (se siden vedr. tilspændingsmomenter) (Fig. 5.19).



Sidestykker

Sidestykkerne på SIMBA-modellen er først og fremmest beregnet til at bruges sammen med den nye type bremser, som er indbygget i hver sidestykke. Hvis du ikke har bestilt den type bremser, som er indbygget i sidestykket, leveres kørestolen med dæksler monteret over hullerne i hver sidestykke, (Fig. 5.20).



Hvis sidestykkerne anvendes uden disse dæksler, er der risiko for personskade. Når den indbyggede bremse ikke er monteret i sidestykket, skal der altid sidde et dæksel i stedet for.

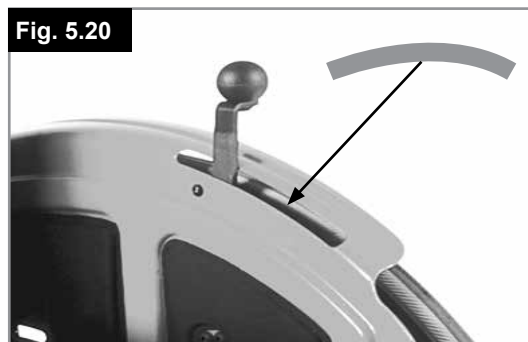
Armlæn

Armlænet skrues på plads på den del af sidestykket, der er beregnet til det. Armlænet kan justeres i højden.

Bord

Anvendelse af terapibord kræver, at kørestolen er udstyret med armlæn. Bordpladen monteres på det ene armlæn og hviler på armlænene i begge sider.

Fig. 5.20



Skubbehåndtag



Kørestolen må kun skubbes og aldrig løftes, hvis der sidder en person i den.

Højdejusterbare skubbehåndtag

Skubbehåndtagene er fastgjort ved hjælp af stifter, så de ikke uforvarende kan løsne sig. Hvis quick-release-håndtaget (1) åbnes, er det muligt at justere hvert skubbehåndtags (2) højde, så de passer til dine individuelle behov. Når man bevæger håndtaget, lyder der et klik fra låsemekanismen. Derefter kan skubbehåndtaget let indstilles i den ønskede placering. Møtrikken på spænde-håndtaget afgør, hvor stramt skubbehåndtagene spændes fast. Hvis møtrikken sidder løs, efter at spænde-håndtaget er blevet justeret, vil skubbehåndtaget også sidde løst. Drej skubbehåndtaget fra side til side inden brug for at sikre, at det er forsvarligt fastspændt. Efter justering af skubbehåndtagets højde skal spænde-håndtaget (1) altid fastspændes forsvarligt. Hvis håndtaget ikke fastspændes forsvarligt, kan man komme til skade ved kørsel på trapper (Fig. 5.21 + 5.21.1).



Hvis de højdejusterbare skubbehåndtag ikke monteres korrekt, risikerer man, at der opstår slør i håndtagene, eller at de ikke bliver ved med at have den ønskede placering. Sørg altid for, at de nødvendige skruer er spændt korrekt.

Fig. 5.21



Fig. 5.21.1

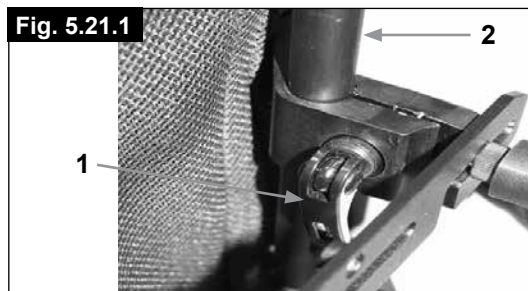
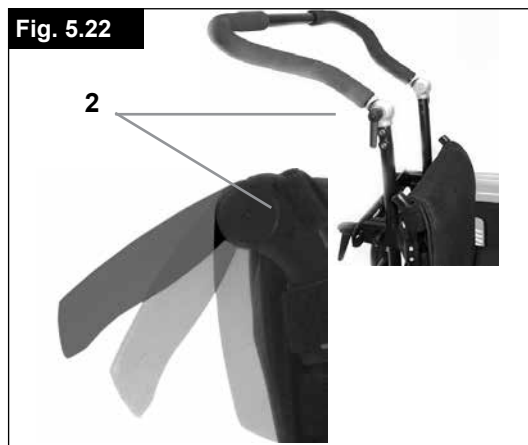


Fig. 5.22



Sammenklappelige skubbehåndtag/stang

Hvis skubbehåndtagene ikke er i brug, kan de klappes sammen ved at løsgøre reguleringsarmene, (2). Når de skal bruges igen, skal du blot vippe dem tilbage indtil de klikker på plads og stramme reguleringsarmene, (Fig. 5.22).

Tipsikringer

Sunrise Medical anbefaler, at man bruger tipsikringer på enhver kørestol. Ved montering af tipsikringer bør tilspændingsmomentet være 16 Nm (Fig. 5.23)

1. Sådan skubbes tipsikringerne ind i bøjljen:

- Tryk på den bagerste knap på tipsikringen og tipsikringens indsatsbøsning, så begge udløsertappe glider indad.
- Skub tipsikringen (1) ind i indsatsbøsningen.
- Drej tipsikringerne nedad, indtil udløsertappen låses fast i bøjljen.
- Den anden tipsikring monteres på tilsvarende vis.

2. Indstilling af tipsikringerne

For at opnå den rette frihøjde på ca. 2,5 til 5 cm, skal tipsikringerne hæves eller sænkes.

- Tryk på tipsikringens udløserknap, så begge udløsertappe glider indad.
- Flyt det indvendige rør op eller ned, indtil det falder på plads i hullerne til højdejustering.
- Giv slip på knappen.
- Den anden tipsikring monteres på tilsvarende vis.
- Begge tipsikringer bør indstilles i samme højde.



Hvis kørestolen ikke har tipsikringer monteret, eller hvis de ikke er monteret korrekt, er der risiko, at kørestolen vælter med personskade til følge.

Fig. 5.23

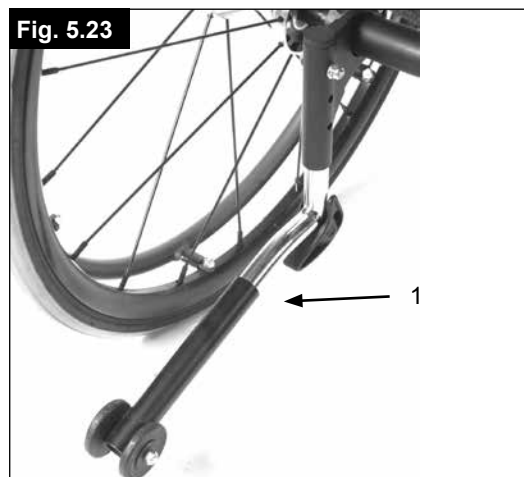


Fig. 5.24



Sæde

Sædepolstring:

Skruerne på venstre side af remmen fjernes.

VELCRO®-materialet justeres, så sæderemmen bliver strammere. Skruerne spændes fast igen.

Hvis du har svært ved at få skruerne på plads igen, kan du evt. bruge en spids genstand til at finde hullerne. Du bør også sørge for, at plasticunderlaget ligger rigtigt, før skruerne spændes igen, (5.24).

Sædebredde og ekstra sædedybde

Sædebreddens stigning:

Sædets bredde kan udvides med op til 2 cm uden behov for nye dele:

- Skrueerne i fodstøtten og akslen, plus de to stabiliserende bjælker på ryglænet og under sædet, skal løsnes.
- De teleskopiske rør på fodstøtten, stabiliseringsbjælkerne og akselrøret skal forlænges for at passe til den nye sædebredde. Derefter spændes skrueerne forsvarligt fast igen.
- Rygstøtteremmen og sæderemmen løsnes ved hjælp af velcrostropperne og indstilles til den næste sædebredde.

Sædedybdens forlængelse:

Sædets dybde kan forlænges med op til 4 cm uden behov for nye dele: Løsn og fjern skrueerne, (A - figur 5.25), på begge sider af rammen ved kørestolens sæde, og flyt hele komponenten, inkl. ryglænets rør, til den ønskede position.

Genmonter klemmerne "A" og stram dem.

Fig. 5.25

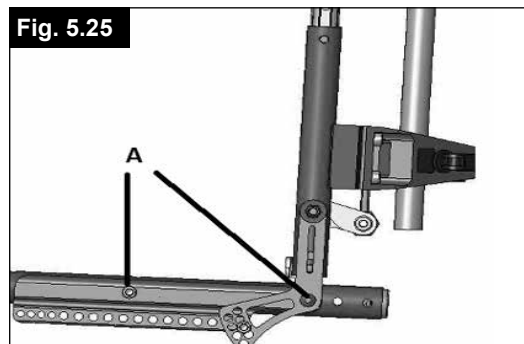


Fig. 5.26



Fig. 5.27



Stokkeholder

Stokkeholder

Ved hjælp af denne holder kan albuestokke transporteres direkte på kørestolen. Holderen er forsynet med en velcrostrop til fastgørelse af krykker eller andre hjælpemidler, (5.26).



Stokke eller andre hjælpemidler må aldrig benyttes eller fjernes fra holderen, når kørestolen er i bevægelse.

Dæk og montering

Kørestolen leveres som standard med massive gummidæk, (5.27).



Hvis der monteres pneumatiske dæk:

Hvis der anvendes højtryksdæk, skal du altid sørge for, at de har det rette dæktryk, da dette kan påvirke kørestolens køreegenskaber. Hvis dæktrykket er for lavt, øges rullemodstanden, og der kræves flere kræfter for at køre stolen fremad. Et lavt dæktryk har også en negativ indvirkning på kørestolens manøvredegtighed. Hvis dæktrykket er for stort, kan dækket sprænge. Det korrekte dæktryk for et bestemt dæk er trykt på dækkets overflade.

Dækkene monteres på samme måde som almindelige cykeldæk. Inden slangen monteres, skal du sikre dig, at fælgfladen og dækkets inderside er fri for fremmedlegemer. Kontrollér dæktrykket efter montering eller reparation af et dæk. Det er meget vigtigt for sikkerheden og kørestolens funktion, at dæktrykket er korrekt, og at dækkene er i god stand.

6.0 Forreste lateral støtte (Hoftesele)

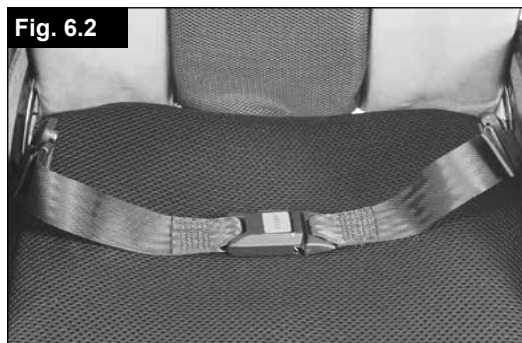
RISIKO!

Inden du bruger kørestolen skal det sikres at hofteselen bæres. Hofteselen skal kontrolleres dagligt for at sikre at der ikke findes forhindringer eller slitage. Sørg altid for, at hofteselen er forsvarligt fastspændt og justeret korrekt inden brug. Hvis selen er for løs kan den få brugeren til at glide ned og risikere kvælning eller forårsage alvorlige personskader.



Hofteselen monteres på kørestolen som vist på billedet. Selen består af to dele. Hver del monteres ved hjælp af den låsebolt til at holde sædet på plads, der allerede findes i hver side af sædet. Boltene føres gennem selens øsken. Derefter føres selen ned under sidestykkets bagerste del, (1). (Fig. 6.1)

Sørg for at justere selens placering, så spændet ligger midt på sædet (Fig. 6.2).

Hvis du ønsker at påsætte en hoftesele, skal du kontakte din autoriserede Sunrise Medical-forhandler.



Hofteselen justeres efter brugerens behov på følgende måde:

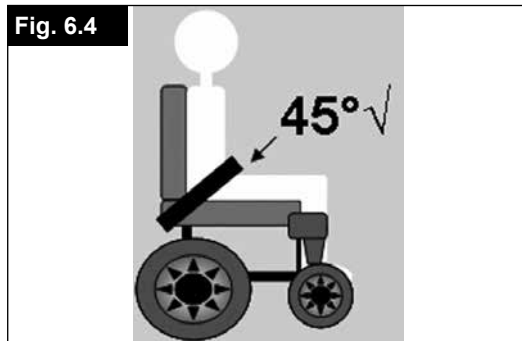
Sådan gøres selen kortere	Sådan gøres selen længere
	
Den løse del af selen føres tilbage igen gennem spændets handle og skydespænderne. Pas på, at selen ikke slår buler ved spændets handle.	Den løse del af selen føres gennem skydespænderne og spændets handle, så selen bliver længere.



Når den er spændt, skal afstanden mellem hofteselen og brugeren kontrolleres. Når hofteselen er justeret korrekt, skal det være muligt at indsætte mere end den flade hånd mellem hofteselen og brugeren. (Fig. 6.3).

Hofteselen skal monteres således at remmene sidder i en vinkel på 45 grader over brugerens bækken. Brugeren skal sidde oprejst og så langt tilbage i sædet som muligt, når selen er justeret korrekt. Hofteselen må ikke lade brugeren glide ned i sædet.

(Fig. 6.4)



	
<p>Sådan lukkes spændet: Han-delen sættes ind i hun-delen og skubbes helt på plads.</p>	<p>Sådan løsnes selen: Tryk på de eksponerede sider af spændets han-del og skub den fremad mod midten, mens det forsigtigt trækkes fra hinanden.</p>

ADVARSEL!

- Hvis du er i tvivl om hvordan hofteselen bruges og betjenes skal du spørge en terapeut, kørestolens forhandler, en plejer eller en ledsager.
- Hofteselen må kun monteres af en godkendt Sunrise Medical forhandler / repræsentant.
- Hofteselen må kun indstilles af en professionel person, eller en Sunrise Medical godkendt forhandler / repræsentant.
- Hofteselen skal kontrolleres dagligt for at sikre at den er justeret korrekt, og at der ikke findes forhindringer eller slitage.
- Sunrise Medical fraråder transport af en person i et køretøj med denne hoftelele som fastspændingsmetode.



Se venligst Sunrise Medical transitbrochuren for yderligere oplysninger om transport.

Vedligeholdelse:

Hofteselen og fastspændingsanordningerne skal efterses grundigt med jævne mellemrum for tegn på slid eller skader. Udskift i givet fald de slidte eller beskadigede dele.

ADVARSEL!

Hofteselen skal justeres, således at den passer til slutbrugeren som beskrevet ovenfor. Sunrise Medical anbefaler at selens længde og tilpasning kontrolleres med regelmæssige mellemrum, for at reducere risikoen for at slutbrugeren uforvarende omplacerer selen for meget.

7.0 Fejlsøgning

Kørestolen trækker til den ene side

- Kontrollér dæktrykket
- Kontrollér, om hjulene drejer frit (lejer, aksel)
- Kontrollér svinghjulsvinklen
- Kontrollér, om begge svinghjul har ordentlig kontakt med kørselsfladen.

Svinghjulene begynder at slingre

- Kontrollér svinghjulsvinklen
- Kontrollér, om alle bolte er fastspændt, og spænd dem evt. korrekt (se siden vedr. tilspændingsmomenter).
- Kontrollér, om begge svinghjul har ordentlig kontakt med kørselsfladen.

Kørestolen/tværstiveren klikker ikke i låsestilling i sædestøtten

- Kørestolen er stadig ny, og derfor er polstringen i sæde og ryg stadig meget stram. Polstringen bliver mere smidig, når den har været i brug et stykke tid.

Kørestolen er svær at folde sammen

- Den justerbare ryglænspolstring er for stram. Sørg for at løsne den tilstrækkeligt.

Kørestolen knirker og rasler

- Kontrollér, om alle bolte er fastspændt, og spænd dem evt. korrekt (se siden vedr. tilspændingsmomenter).
- Smør de steder, hvor bevægelige dele kommer i kontakt med hinanden, med lidt olie

Kørestolen slingrer

- Kontrollér den vinkel, svinghjulene er indstillet i
- Kontrollér dæktrykket
- Kontrollér, om baghjulene er indstillet forskelligt

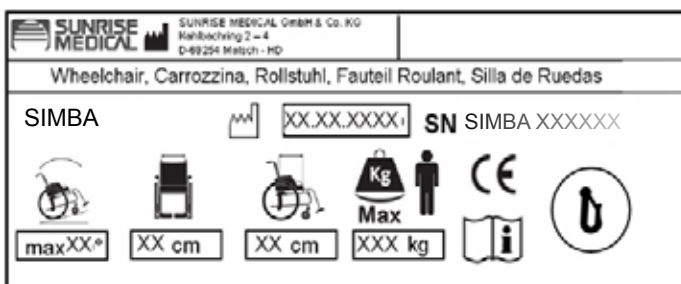
8.0 Navnemærkat

Navnemærkat

Navnemærkaten sidder enten på tværstiveren eller det tværgående stelrør samt på en etiket i brugervejledningen. Navnemærkaten angiver den nøjagtige modelbetegnelse såvel som andre tekniske specifikationer. Ved bestilling af reservedele eller ved reklamation bedes du oplyse følgende:

- Serienummer
- Bestillingsnummer
- Måned/År

PRØVE



SIMBA
XXXXX-XXX

Produkt navn/SKU-nummer.



Maksimal sikker hældning med tipsikringer monteret, Afhænger af kørestolens indstilling, holdning og brugerens fysiske evner.



Producentens symbol



Sædebrede.



Dybde (maksimalt).



Maksimal belastning.



CE-mærkat



Brugervejledning.



Kollisionstestet.



Produktionsdato.



Serienummer.

Sikkerhedskontrol

Som bruger af kørestolen er du som oftest den, der først lægger mærke til evt. fejl og mangler. Inden hver brug anbefaler vi derfor at du kontrollerer følgende:

- at dæktrykket er korrekt.
- at bremserne fungerer korrekt
- at alle de aftagelige dele er fastgjort forsvarligt (f.eks. armlæn, fodstøttens svingarme, quick-release-aksler ...).
- hvis der findes nogen skader/defekter, bedes du kontakte din autoriserede forhandler.

Vedligeholdelse

- Dæktrykket skal kontrolleres med jævne mellemrum.
- Kontroller alle dækkene for slitage og beskadigelser med jævne mellemrum, og mindst en gang om året. Dækkene skal udskiftes, så snart der findes tegn på beskadigelser eller slitage.
- Kontroller sædet og rygpølstringen for slitage og beskadigelser med jævne mellemrum, og mindst en gang om året. Disse dele skal udskiftes, så snart der findes tegn på beskadigelser eller slitage.
- Kontroller alle rammens og ryglænets komponenter for slitage og beskadigelser med jævne mellemrum, og mindst en gang om året. Disse dele skal udskiftes, så snart der findes tegn på beskadigelser eller slitage.
- Kontroller bremserne for slitage og beskadigelser med jævne mellemrum, og mindst en gang om året. Kontroller om de fungerer korrekt, og om de er lette at bruge. Udskift bremserne, så snart der findes tegn på beskadigelser eller slitage.
- Kontroller om alle boltene er fastgjorte (se siden vedr. tilspændingsmomenter) med jævne mellemrum, og mindst en gang om året. Alle de skruer som er af afgørende betydning for sikker brug af kørestolen, har at sikkerhedsmøtrikker. Sikkerhedsmøtrikker bør kun benyttes én gang og bør straks udskiftes efter brug.
- Smør quick-release-akslerne med lidt symaskineolie ca. hver 8. uge. Afhængigt af, hvor ofte og hvordan du bruger kørestolen, anbefales det, at den sendes til eftersyn hos en autoriseret forhandler hver 6. måned for at få den kontrolleret af uddannet personale.
- Kørestolen skal altid opbevares på et tørt sted.

Hvis du vil opbevare kørestolen i en længere periode, behøver du ikke gøre yderligere. Sørg for, at kørestolen opbevares ved stuetemperatur et tørt sted, der er beskyttet mod stærkt sollys. Før kørestolen tages i brug igen, skal den kontrolleres af en godkendt forhandler.

VIGTIGT!

- Hvis der er anført momentindstillinger, anbefaler vi på det kraftigste at du bruger en moment måleanordning, for at kontrollere at du har spændt ifølge det korrekte moment.
- Du bør kun bruge originale reservedele, der er blevet godkendt af Sunrise Medical. Brug ikke reservedele fra andre producenter, som ikke er blevet godkendt af Sunrise Medical.
- Rengør kørestolen med et mildt rengøringsmiddel. Der må kun bruges sæbe og vand til rengøring af sædets betræk og hofteselen.
- Afhængigt af hvor ofte og hvilken type du bruger, anbefaler vi at du med jævne mellemrum bringer din kørestol til din autoriserede forhandler, dog mindst en gang om året) for at få den vedligeholdt af trænet personale.

VIGTIGT!

- Sand, salt og havvand kan beskadige lejerne på for- og baghjulene. Hvis kørestolen er blevet eksponeret til disse elementer, skal den rengøres omhyggeligt.
- Tør kørestolen efter brug, hvis den er blevet våd.

Følgende enkeltdele er aftagelige og kan sendes til reparation hos

producenten eller forhandleren:

- Baghjul
- Armlæn
- fodstøtter
- Tipsikringer

Råd om hygiejne ved genanvendelse:

Hvis kørestolen skal anvendes af en ny bruger, bør den klargøres grundigt. Alle overflader, der kan komme i kontakt med brugeren, skal behandles med desinficeringsmiddel i sprayform.

Der skal til dette formål anvendes et desinficeringsmiddel opført på den tyske DGMH-liste, f.eks. Antifect Liquid (Schülke & Mayr), som bruges specielt til hurtig, alkoholbaseret desinfektion af medicinske hjælpemidler og medicinsk udstyr, når der kræves et hurtigtvirkende middel.

Du bedes være opmærksom på producentens instruktioner på det desinfektionsmiddel du bruger.

Det kan ikke garanteres, at sømmene kan desinficeres fuldstændigt. For at undgå mikrobakteriel kontaminering med aktive stoffer anbefales det derfor, at sædet og rygpølstringen kasseres i henhold til §6 i den tyske lov om beskyttelse mod infektion.

10.0 Tekniske data

Maks. Samlet højde: 1000 mm
Maks. Samlet længde: 850 mm
Maks. Venderadius: 650 mm
Maks. sikker skråning: 10°
Vægt: fra 9 kg
Vægt uden baghjul: fra 6,9 kg
Den tungeste dels vægt: 2,1 kg

Maks. Bredde:

CAMBRING	20" BAGHJUL	22" BAGHJUL	24" BAGHJUL
3°-cambring	SB + 160 mm	SB + 160 mm	SB + 160 mm
3°-cambring	SB + 200 mm	SB + 210 mm	SB + 220 mm
6°-cambring	SB + 260 mm	SB + 270 mm	SB + 280 mm
9°-cambring	SB + 310 mm	SB + 320 mm	SB + 330 mm

Maksimal belastning:

SIMBA op til 65 kg belastning

Sædehøjder:

Det valgte stel, forgafler og svinghjul samt baghjulsstørrelsen (20", 22" eller 24") er afgørende for, hvilke sædehøjder der kan indstilles.

Kørestolen overholder følgende normer:

1. Krav og test for statisk, slag- og udmattelsesstyrke (ISO 7176-8).
2. Modstandskraft i forhold til antændelsesrisiko (EN 1021-2).

11.0 Bortskaffelse/Genbrug af materialer

Hvis du fik kørestolen stillet til rådighed uden omkostninger for dig selv, Skal du returnere den til den organisation eller den henvisningsansvarlige, der skaffede dig kørestolen, når du ikke længere har brug for den.

I dette kapitel finder du en oversigt over hvilke materialer, kørestolen er fremstillet af, med henblik på bortskaffelse eller genbrug af såvel kørestolen som dens emballage.

Sørg for at følge den lokale lovgivning angående bortskaffelse eller genbrug, når kørestolen kasseres. (Der kan bl.a. være særlige regler angående rengøring eller desinfektion af kørestolen inden bortskaffelsen).

Aluminium: Svinghjuls-gafler, hjul, understellets sidestykker, armlænsstel, fodstøtte, skubbehåndtag

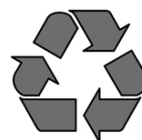
Stål: Fastgøringspunkter, quick-release-aksel.

Plast: Håndtag, rørpropper, svinghjul, fodplader, armlæns-spuder og 12"-hjul/dæk.

Emballage: Plastposer af blød polyethylen, pap.

Betræk: Vævet polyester med PVC-beskyttelseslag og ekspanderet forbrændingsmodificeret skum.

Bortskaffelse eller genbrug skal foretages gennem en autoriseret agent eller et autoriseret bortskaffelsessted. Alternativt kan din kørestol returneres til din forhandler for bortskaffelse.





Sunrise Medical S.r.l.
Via Riva, 20 – Montale
29122 Piacenza
Italia
Tel.: +39 0523 573111
Fax: +39 0523 570060
www.SunriseMedical.it

Sunrise Medical AG
Lückhalde 14
3074 Muri/Bern
Schweiz/Suisse/Svizzera
Fon +41 (0)31 958 3838
Fax +41 (0)31 958 3848
www.SunriseMedical.ch

Sunrise Medical AS
Dynamitveien 14B
1400 SKI
Norway
Telef: +47 66963800
Faks: +47 66963880
www.SunriseMedical.no

Sunrise Medical AB
Box 9232
400 95 Göteborg
Sweden
Tel: +46 (0)31 748 37 00
Fax: +46 (0)31 748 37 37
www.SunriseMedical.se

MEDICCO s.r.o.
H – Park, Heršpická 1013/11d,
625 00 Brno
Czech Republic
Tel.: (+420) 547 250 955
Fax: (+420) 547 250 956
www.medicco.cz
info@medicco.cz
Bezplatná linka 800 900 809

Sunrise Medical ApS
Park Allé 289 G
DK-2605 Brøndby
Tlf. 70 22 43 49
Email: info@sunrisemedical.dk
www.SunriseMedical.dk

Sunrise Medical Pty. Ltd.
6 Healey Circuit, Huntingwood, NSW
2148,
Australia
Phone: 9678 6600,
Orders Fax: 9678 6655,
Admin Fax: 9831 2244.
Australia
www.sunrisemedical.com.au

Sunrise Medical
North American Headquarters
2842 Business Park Avenue
Fresno, CA, 93727, USA
(800) 333-4000
(800) 300-7502
www.SunriseMedical.com



Sunrise Medical GmbH & Co. KG
Kahlbachring 2-4
69254 Malsch/Heidelberg
Deutschland
Tel.: +49 (0) 7253/980-0
Fax: +49 (0) 7253/980-222
www.SunriseMedical.de

Sunrise Medical
Thorns Road
Brierley Hill
West Midlands
DY5 2LD
England
Phone: 0845 605 66 88
Fax: 0845 605 66 89
www.SunriseMedical.co.uk

Sunrise Medical S.L.
Polígono Bakiola, 41
48498 Arrankudiaga – Vizcaya
España
Tel.: +34 (0) 902142434
Fax: +34 (0) 946481575
www.SunriseMedical.es

Sunrise Medical Poland
Sp. z o.o.
ul. Elektronowa 6,
94-103 Łódź
Polska
Telefon: + 48 42 275 83 38
Fax: + 48 42 209 35 23
E-mail: pl@sunrisemedical.de
www.Sunrise-Medical.pl

Sunrise Medical B.V.
Groningenhaven 18-20
3433 PE NIEUWEGEIN
The Netherlands
T: +31 (0)30 – 60 82 100
F: +31 (0)30 – 60 55 880
E: info@sunrisemedical.nl
www.SunriseMedical.nl

Sunrise Medical HCM B.V.
Vossenbeemd 104
5705 CL Helmond
The Netherlands
T: +31 (0)492 593 888
E: customerservice@sunrisemedical.nl
www.SunriseMedical.nl
www.SunriseMedical.eu (International)

Sunrise Medical S.A.S
ZAC de la Vrillonnerie
17 Rue Mickaël Faraday
37170 Chambray-Lès-Tours
Tel : + 33 (0) 247554400
Fax : +30 (0) 247554403
www.sunrisemedical.fr

