



max 400 mm (15½")



max 75 kg (165 lb)

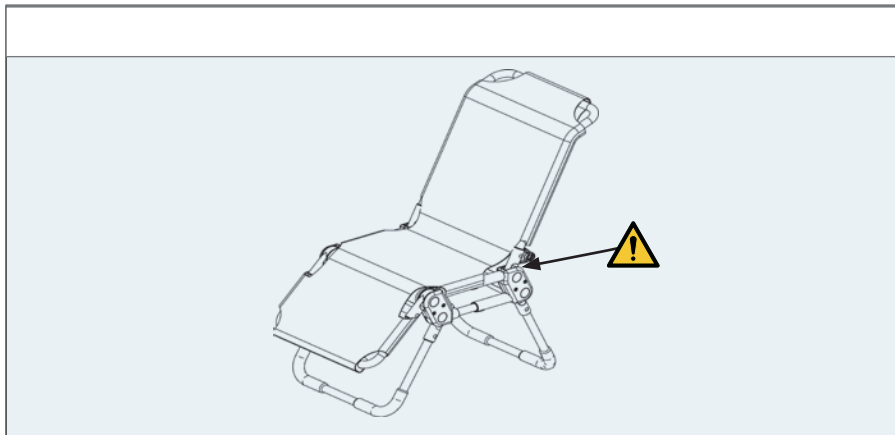


## Manatee User Guide

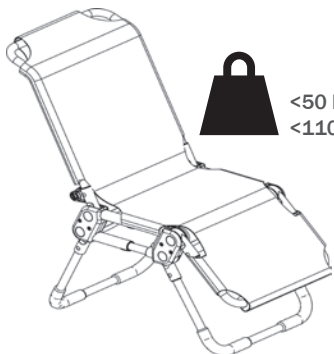
EN 12182  
ISO 17966

2020-05 rev.07

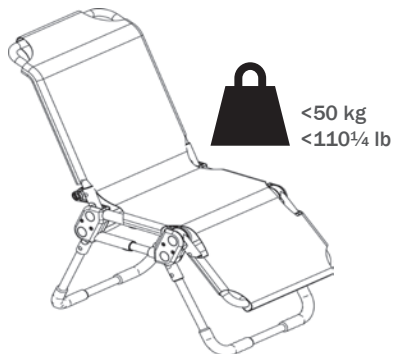
	3	ENGLISH DEUTSCH	19 - 22 23 - 26
	4	NEDERLANDS DANSK	27 - 30 31 - 34
	5	NORSK SVENSKA	35 - 38 39 - 42
	6	SUOMI ESPAÑOL	43 - 46 47 - 50
	7	FRANÇAIS ITALIANO	51 - 54 55 - 58
	8	PORTUGUÊS PORTUGUÊS DO BRASIL	59 - 62 63 - 66
	9	РОССИЯ POLSKI	67 - 70 71 - 74
	10	ČESKY 中國	75 - 78 79 - 82
	11	日本 ΕΛΛΗΝΙΚΗ	83 - 86 87 - 90
	11		
	12		
	13 - 15		
mm (inch)	16 - 17		
	18		



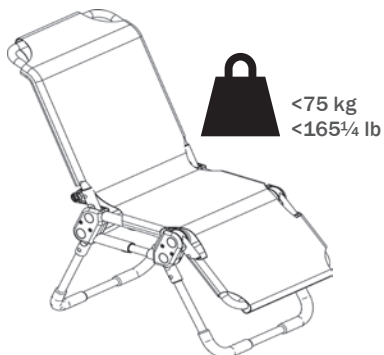
**MANATEE 0**



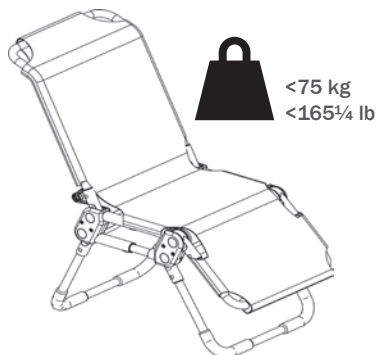
**MANATEE1**

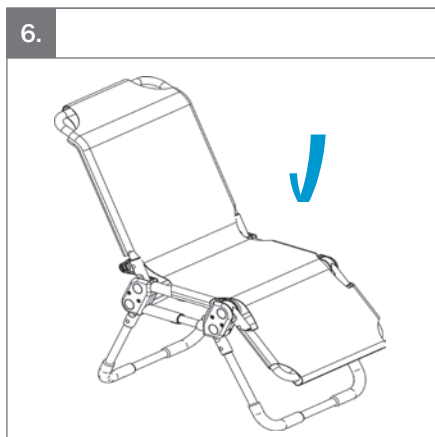
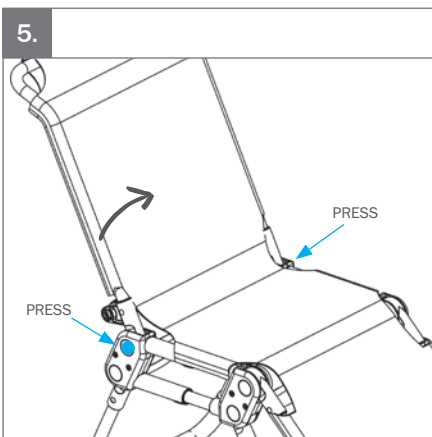
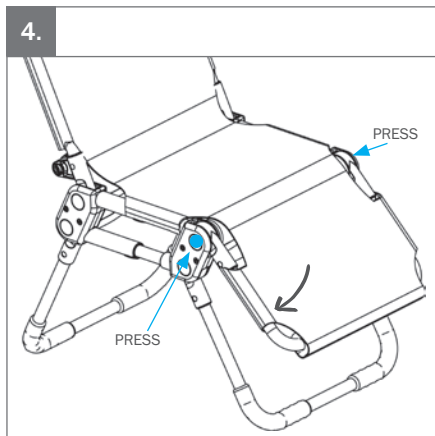
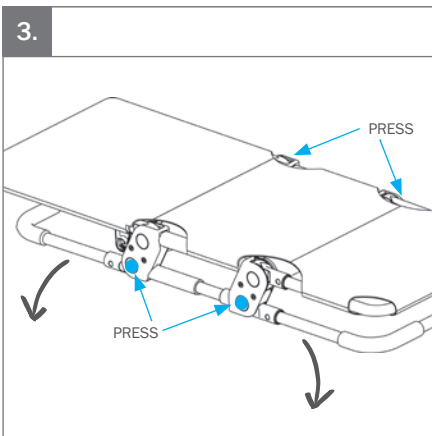
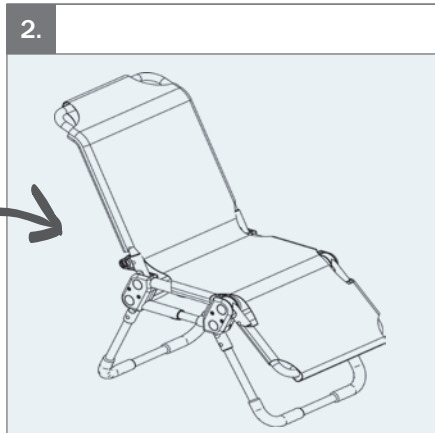
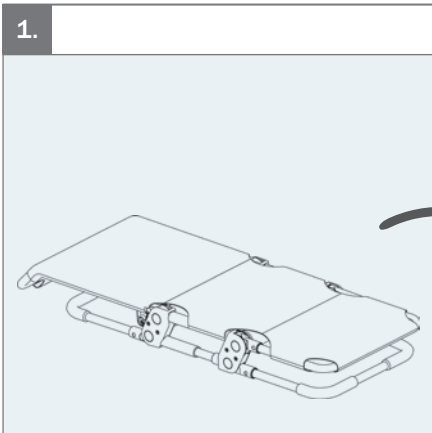


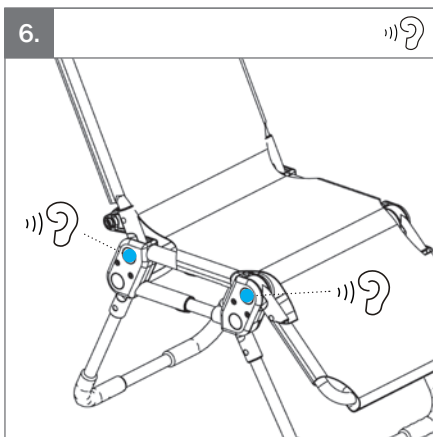
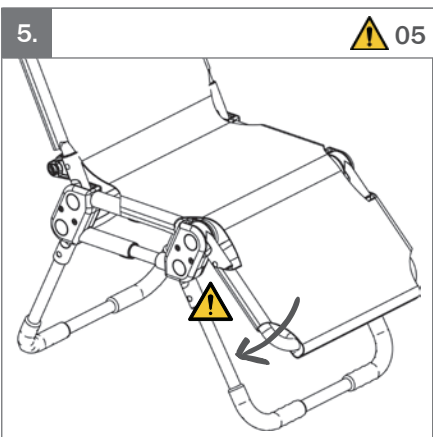
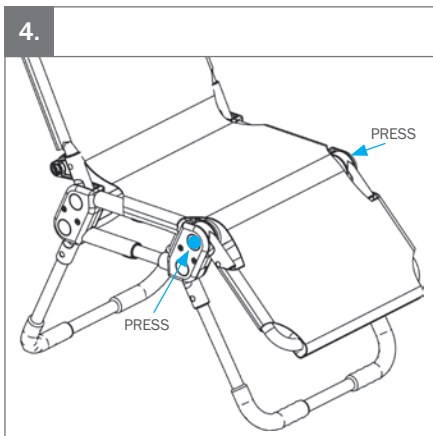
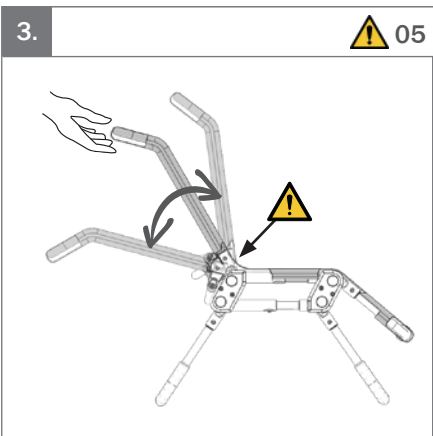
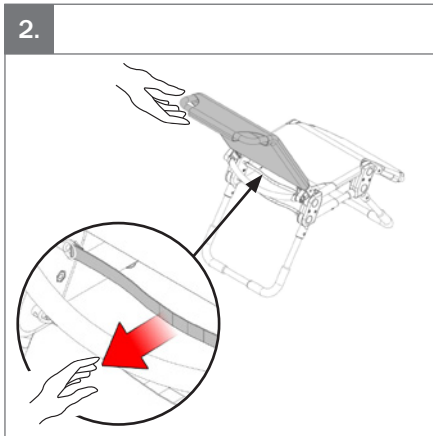
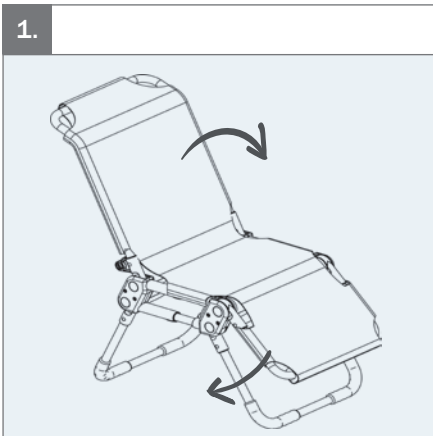
**MANATEE 2**



**MANATEE 3**

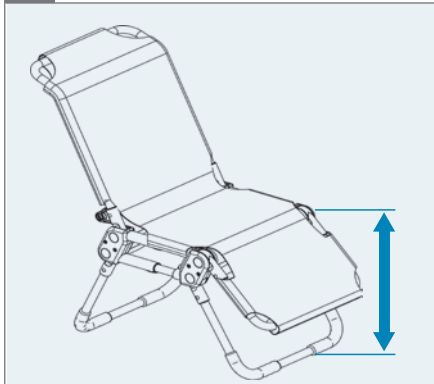




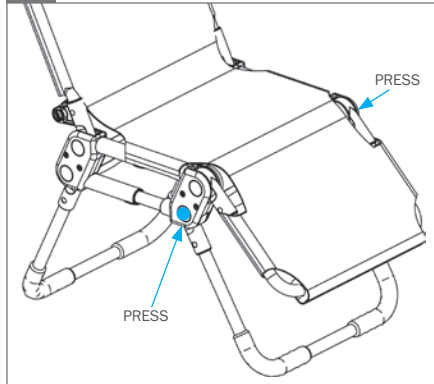




1.

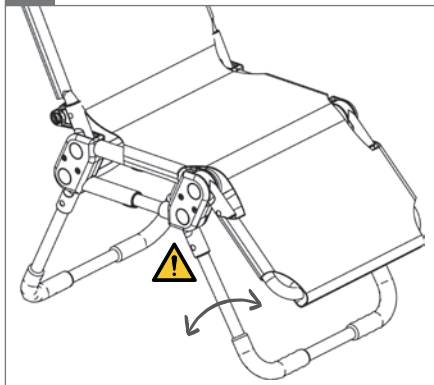


2.

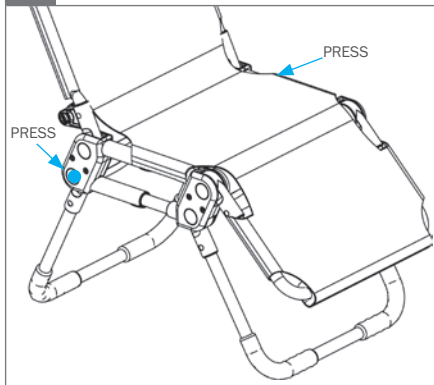


3.

 05

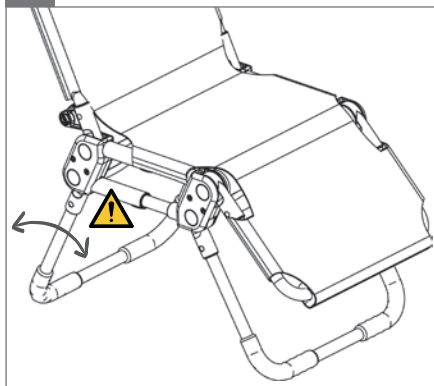


4.



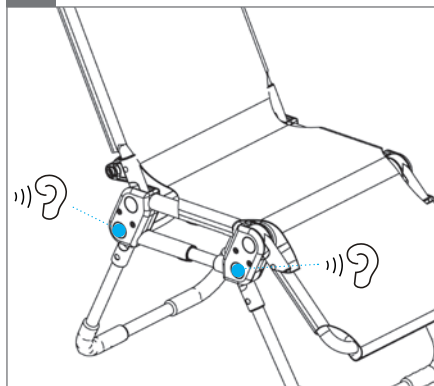
5.

 05



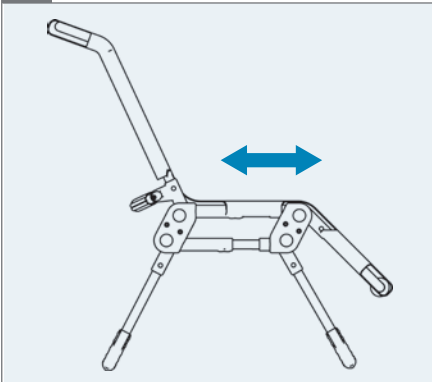
6.



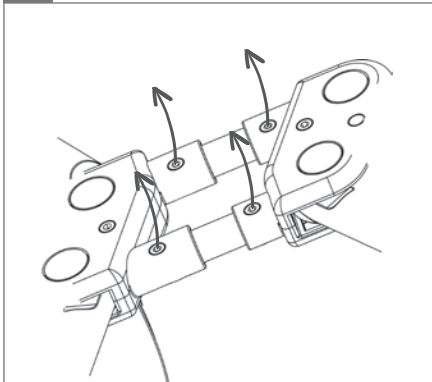




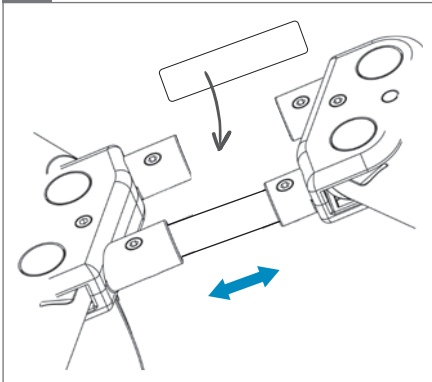
1.



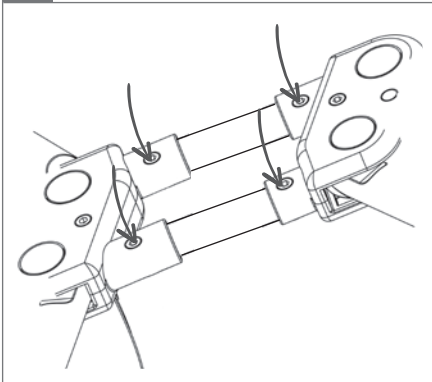
2. Mantee 0 -  $\varnothing$  4 mm



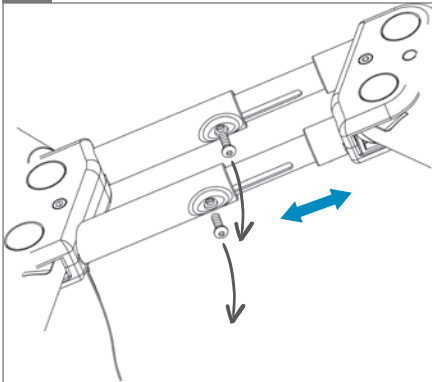
3. Mantee 0



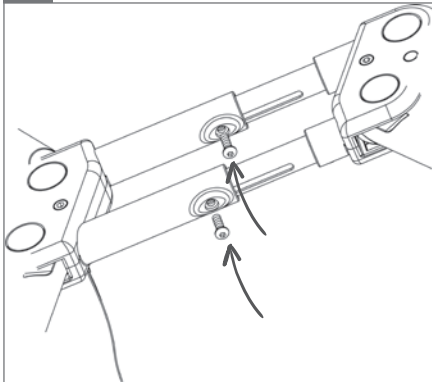
4. Mantee 0 -  $\varnothing$  4 mm, 2,5 Nm

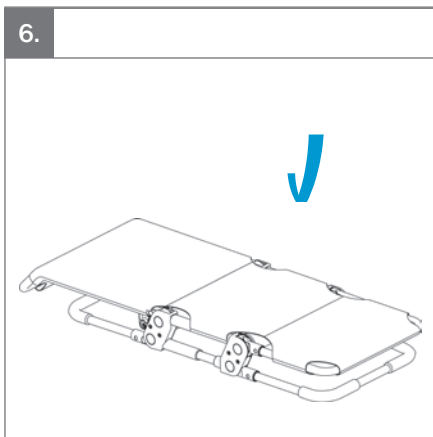
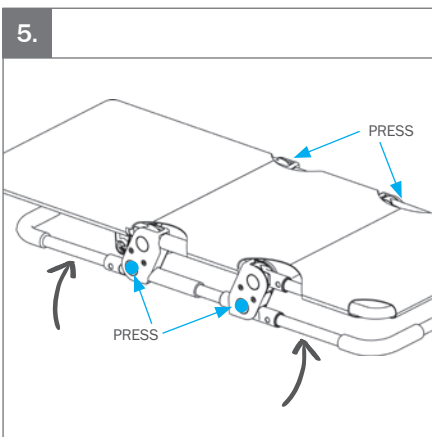
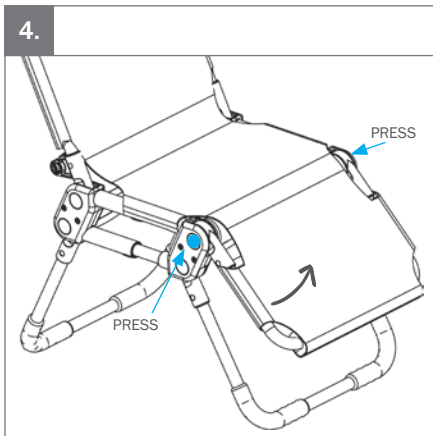
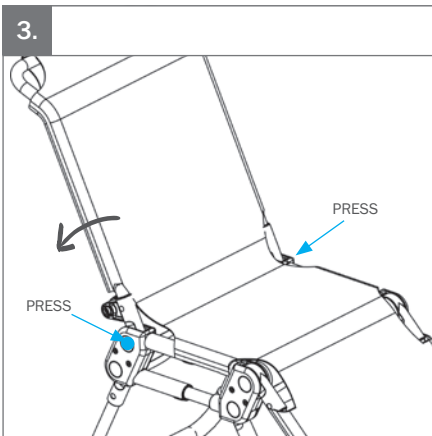
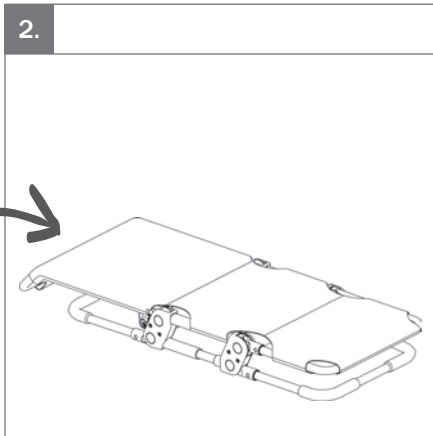
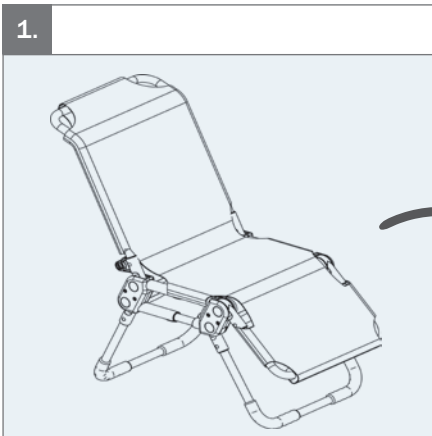


5. Manatee 1+2 -  $\varnothing$  4 mm

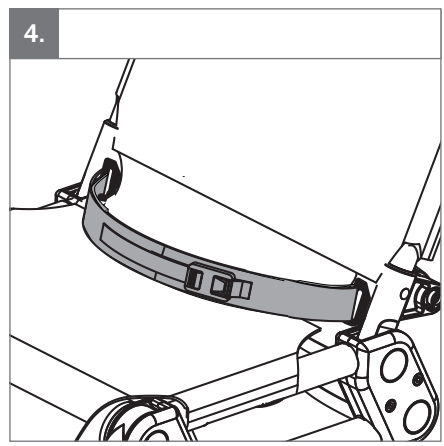
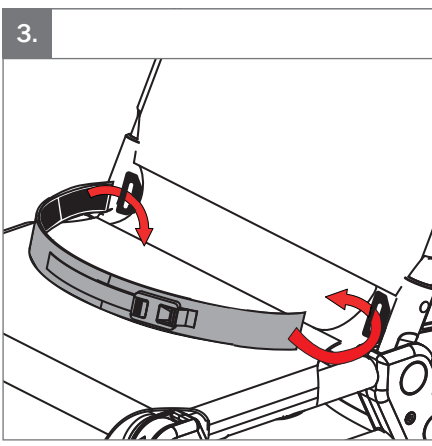
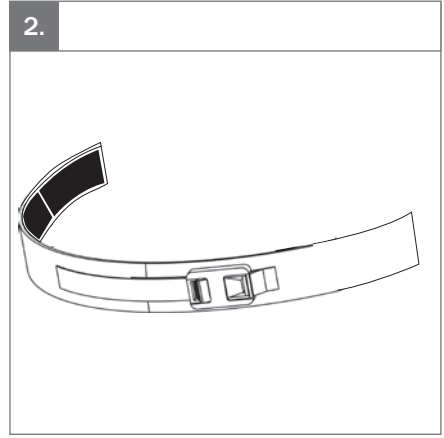
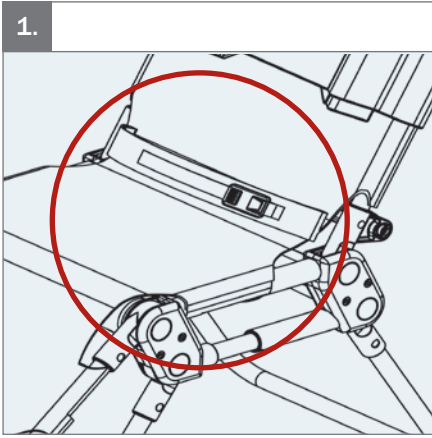


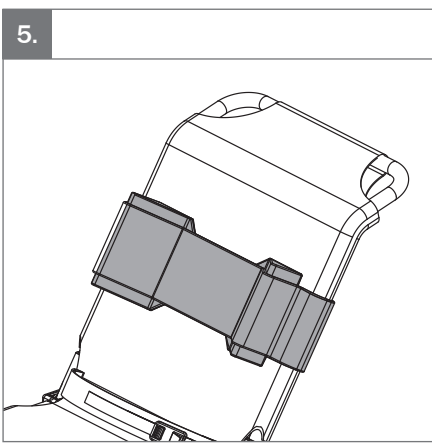
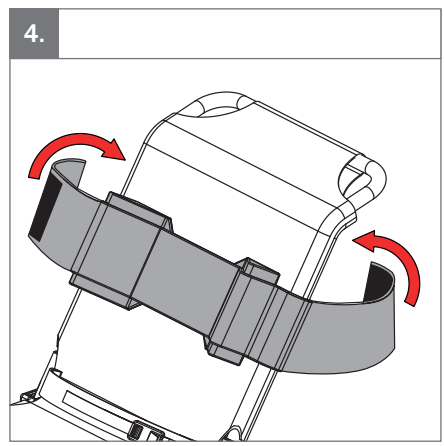
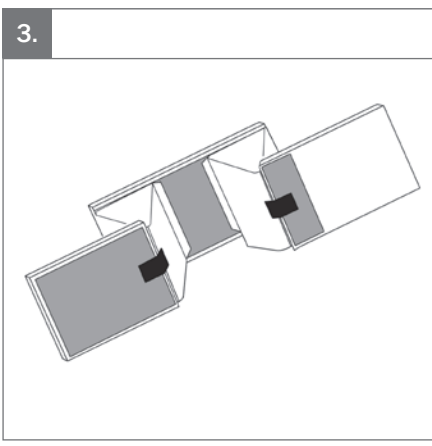
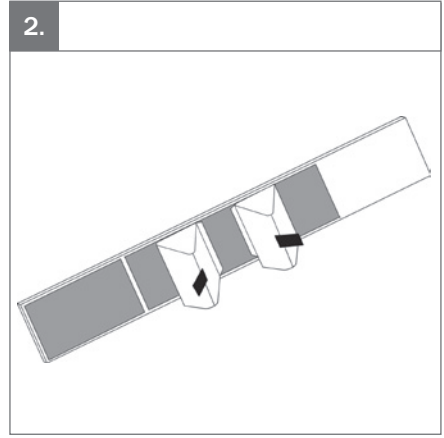
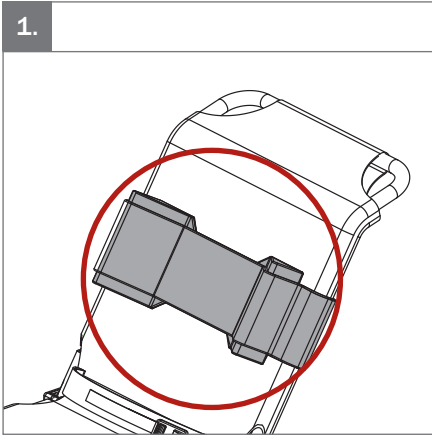
6. Manatee 1+2 -  $\varnothing$  4 mm, 2,5 Nm

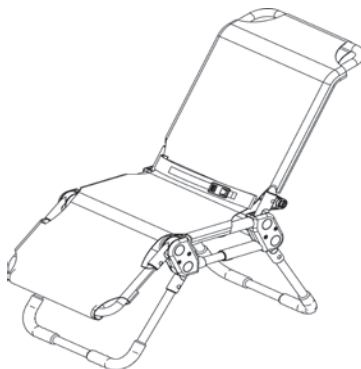
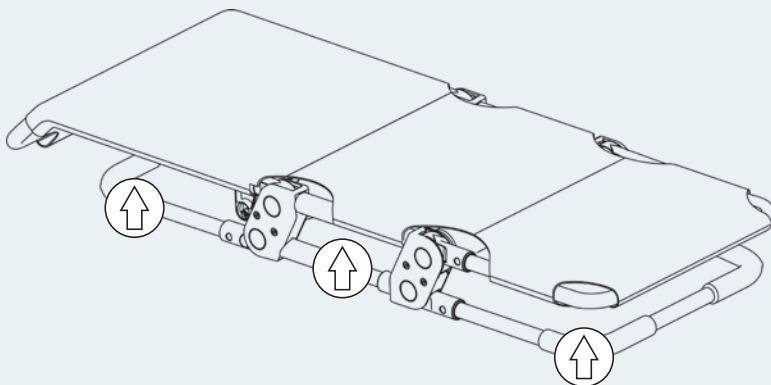




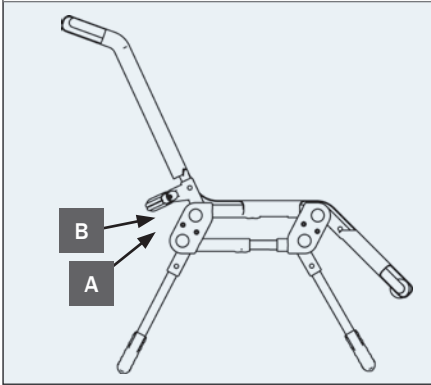




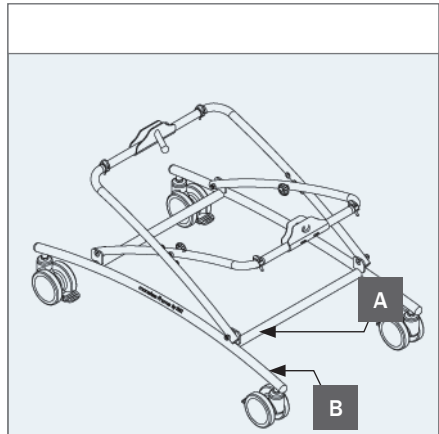
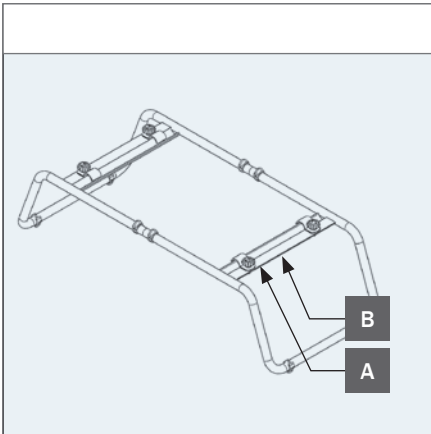
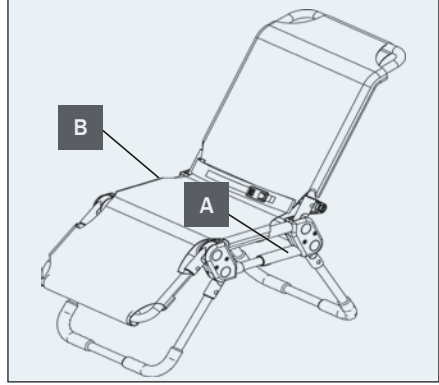




Size 0



Size 1 - 3



A

Product: xxxx - Size x  
 Art. no.: xxxxxxxx Max user mass xxx kg  
 [EM] XXXXXXXX  
 DMR ver.: XXXX Mass device: xxx kg  
 Max rated load: xxx kg

(XX)XXXXXXXXXXXXXXXX(XX)XXXXXXXX(XX)XXXXXX

B

**R82**

Parallelvej 3  
 DK-8751 Gedved  
 WWW.R82.ORG

Made in XXXXXXXX YYYY-MM-DD

**EN:** For indoor use**NO:** For innendørs bruk**FR:** Utilisation intérieure**RU:** Для использования в помещении**JP:** 屋内使用**DE:** Für den Innengebrauch**SV:** För inomhusbruk**IT:** Per uso interno**PL:** Do użytku wewnątrz**GR:** Κατάλληλο για εσωτερική χρήση**NL:** Voor binnenhuis gebruik**FIN:** Sisäkäyttöön**PT:** Para utilização em interiores**CZ:** Pro vnitřní používání**DK:** Til indendørs brug**ES:** Para uso en interiores**BR:** Para uso interno**SN:** 适用于室内使用**EN:** Consult instructions. The latest version of the instructions is always available on the R82 website and can be printed in larger sizes**NO:** Sjekk bruksanvisning på nett. Nyeste versjon av bruksanvisningen er alltid tilgjengelig, og kan skrives ut fra R82 nettsted**FR:** Se reporter aux instructions / consulter les instructions. La version la plus récente est toujours disponible et peut être imprimée dans un grand format à partir du site internet de R82**RU:** Прочитайте инструкции. Новейшая версия инструкций всегда доступна на веб-сайте компании R82 и может быть распечатана в увеличенном размере**JP:** 説明をお読みください。この説明の最新バージョンは、R82のWebサイトからいつでもご利用いただけます。大きなサイズで印刷することができます**DE:** Bedienungsanleitung. Die neueste Version der User Guide ist auf der R82 Internetseite verfügbar und steht zum Download bzw. Ausdruck zur Verfügung**SV:** Se anvisningarna. Den senaste versionen av anvisningarna finns alltid tillgänglig och kan skrivas ut i större storlek från R82:s webbplats**IT:** Leggere le istruzioni. Le ultime versioni dei manuali di istruzione sono sempre disponibili sul sito web R82 e possono essere stampate in dimensioni maggiori**PL:** Zapoznanie się z instrukcją. Najnowsze wersje instrukcji obsługi są dostępne na stronie internetowej R82 i można je wydrukować w większych formatach**GR:** Διαβάστε τις οδηγίες. Οι τελευταίες εκδόσεις των οδηγιών είναι πάντοτε διαθέσιμες στην ιστοσελίδα της R82 και μπορούν να εκτυπωθούν σε μεγαλύτερα μεγέθη**NL:** Raadpleeg de instructies. De meest recente versie van alle instructies zijn altijd beschikbaar en kunnen worden afgedrukt in de groter formaat vanaf de R82 website**FIN:** Lisäohjeet. Viimeisin versio kaikista ohjeista on aina saatavilla ja tulostettavissa R82 nettisivustolta**PT:** Leia as instruções. As últimas versões das instruções estão sempre disponíveis na página da R82 na internet e podem ser impressas em tamanhos maiores**CZ:** Poradenství a instrukce. Nejaktuálnější verze všech instrukcí je vždy dostupná na webu R82, odkud se dá stáhnout a i vytisknout**DK:** Se vejledning. Den seneste version af denne vejledning er altid tilgængelig og kan udskrives i større størrelser fra R82 hjemmeside**ES:** Consulte las instrucciones. La última versión de todas las instrucciones está siempre disponible y se puede imprimir en tamaños superiores desde la página web de R82**BR:** Leia as instruções. As versões mais recentes das instruções sempre encontram-se disponíveis no site da R82 e podem ser impressas em tamanhos maiores**SN:** 参考说明，所有说明的最新版本都能够在R82网络上下载或打印**EN:** Correct lifting point**NO:** Riktig løftpunkt**FR:** Point de levée approprié**RU:** Надлежащая точка подъема**JP:** リフティング・ポイントの修正**DE:** Korrekter Hebe punkt**SV:** Korrekt lyftpunkt**IT:** Punto di sollevamento corretto**PL:** Prawidłowy punkt podnoszenia**GR:** Σωστό σημείο λαβής**NL:** Correcte techniek van optillen**FIN:** Oikea nostopiste**PT:** Corrija o ponto de elevação**CZ:** Správný zvedací bod**DK:** Korrekt løftepunkt**ES:** Punto de elevación correcto**BR:** Ponto de elevação correto**SN:** 请调整吊点



**EN:** Warning: This symbol appears in the User Guide along with a number referring to the instructions below. It draws attention to situations where the product or the user or carer's safety may be in danger  
01 = Entrapment Hazards  
02 = Tilting Hazards  
03 = Transportation in motor vehicles  
05 = Squeezing Hazard

**NO:** Advarsel: Dette symbolet blir vist i brukerveiledningen sammen med et tall som henviser til instruksjonene under. Det gjør oppmerksom på situasjoner der produktet eller brukernes/omsorgytrens sikkerhet kan være truet  
01 = Fare for å bli sittende fast  
02 = Vippefare  
03 = Transport i motorkjøretøyer  
05 = Klemfare

**FR:** Avertissement: Ce symbole apparaît dans le guide de l'utilisateur avec un numéro faisant référence aux instructions ci-dessous. Il attire l'attention sur les situations dans lesquelles la sécurité du produit ou de l'utilisateur ou du soignant peut se trouver compromise  
01 = Risques de coincement  
02 = Risques à la bascule  
03 = Transport à bord de véhicules motorisés  
05 = Risques de pincement

**RU:** Предупреждение: Данное обозначение указывается в руководстве по эксплуатации вместе с номером, который относится к нижеприведенным инструкциям. Оно используется для привлечения внимания к ситуациям, в которых существует опасность для изделия, пользователя или лица, осуществляющего уход за пользователем  
01 = Риск защемления  
02 = Наклонное положение  
03 = Передвижение в транспортных средствах  
05 = Риск сжатия

**JP:** 警告: この記号は、以下の説明を示す番号と共にユーザーガイドに表示されています。これは、製品やユーザーまたは介護者が危険にさらされる状況について、注意を喚起します。  
01 = 挟まる危険  
02 = 傾斜させる際の危険  
03 = 自動車内の輸送  
05 = 圧迫の危険

**DE:** Warnung: Dieses Symbol erscheint in der Bedienungsanleitung zusammen mit einer zu den nachfolgenden Anleitungen gehörenden Nummer. Sie lenkt die Aufmerksamkeit auf Situationen, die für das Produkt oder den Betreuer ein Sicherheitsrisiko darstellen können.  
01 = Gefahr durch Einklemmen  
02 = Kippgefahr  
03 = Warnhinweise! - Beförderung in Kraftfahrzeugen  
05 = Gefahr durch Quetschen

**SV:** Varning: Den här symbolen används i handboken tillsammans med ett nummer som hänvisar till instruktionerna nedan. Den uppmärksammar på situationer som kan utgöra en säkerhetsrisk för produkten, användaren eller vårdgivaren.  
01 = Risk att fastna  
02 = Tipprisk  
03 = Transport i fordon  
05 = Klämrisk

**PT:** Avvertenza: Questo simbolo viene utilizzato nel Manuale Utente con un numero di riferimento alle istruzioni riportate di seguito. Richiama l'attenzione alle situazioni in cui la sicurezza del prodotto, dell'utente o dell'operatore potrebbe essere in pericolo  
01 = Pericolo di incastro  
02 = Pericoli durante la reclinazione della seduta  
03 = Trasporto nei veicoli a motore  
05 = Pericolo di schiacciamento

**PL:** Ostrzeżenie: Ten symbol pojawia się w podręczniku obsługi wraz z numerem odnoszącym się do poniższych instrukcji. Zwraca on uwagę na sytuacje, w których bezpieczeństwo produktu, użytkownika lub opiekuna może być zagrożone.  
01 = Ryzyko uwięzienia  
02 = Zagrożenia przechyłu  
03 = Transport w pojazdach silnikowych  
05 = Ryzyko zmiążdżenia

**NL:** Waarschuwing: Dit symbool staat in de gebruiksaanwijzing samen met een getal dat naar de hieronder vermelde instructies verwijst. Het vestigt de aandacht op situaties waarin het product, de gebruiker of de veiligheid van derden in gevaar kan zijn.  
01 = Gevaar voor beknelling  
02 = Kantelgevaar  
03 = Vervoer in motorvoertuigen  
05 = Gevaar voor samendrukken

**FIN:** Varoitus: Tämä symboli näkyy käyttöohjeessa yhdessä numeron kanssa, joka viittaa jäljempänä näkyviin ohjeisiin. Sen avulla kiinnitetään huomiota tilanteisiin, joissa tuote tai käyttäjän tai hoitajan turvallisuus voi vaarantua.  
01 = Juuttumisvaarat  
02 = Vaarat kallistettaessa  
03 = Kuljettaminen moottoriajoneuvoissa  
05 = Puristumisvaara

**PT:** Aviso: Este símbolo aparece no Guia do Utilizador juntamente com um número a remeter para as instruções abaixo. Chama a atenção para situações em que possa estar em risco a segurança do produto, do utilizador ou do prestador de cuidados.  
01 = Riscos de armadilha  
02 = Perigos de basculação  
03 = Transporte nos veículos motorizados  
05 = Riscos de compressão

**CZ:** Upozornění: Tento symbol je uveden v uživatelské příručce spolu s číslem odkazujícím na níže uvedené ilustrace. Upozorňuje na situace, které mohou ohrozit bezpečnost produktu, uživatele nebo pečovatele.  
01 = Nebezpečí zachycení  
02 = Riziko při naklápění  
03 = Přeprava v motorových vozidlech  
05 = Nesprávné použití

**DK:** Advarsel: Dette symbol vises i brugervejledningen sammen med en nummerhenvisning til nedenstående instruktioner. Det henleder opmærksomheden på situationer, hvor produktet, brugeren eller plejersens sikkerhed kan være i fare

01 = Risiko for fastklemning  
02 = Fare for tilt af produkt  
03 = Transport i motorkøretøjer  
05 = Risiko for klemning

**ES:** Advertencia: Este símbolo aparece en la Guía del usuario junto con un número de referencia a las siguientes instrucciones. Llama la atención sobre situaciones en las que el producto o el usuario o la seguridad del cuidador pueda estar en peligro  
01 = Riesgos de atrapamiento  
02 = Peligro de vuelco  
03 = Transporte en vehículos  
05 = Riesgo de aplastamiento

**BR:** Advertência: Este símbolo aparece no Manual do Usuário, juntamente com um número relacionado às instruções abaixo. Ele serve para indicar situações nas quais a segurança do produto, do usuário ou do cuidador possa estar comprometida.  
01 = Riscos de armadilha  
02 = Perigos da Inclinação  
03 = Transporte nos veículos motorizados  
05 = Riscos de compressão

**SN:** 警告  
在用户指南中该符号同数字一起出现，指示下方所列的各种说明。其目的是唤起对产品、用户或照管者可能处于危险的注意。  
01 = 卡住危险  
02 = 倾斜危险  
03 = 汽车运输  
05 = 挤压危险

**GR:** Προειδοποίηση: Αυτό το σύμβολο εμφανίζεται στις οδηγίες χρήσης συνοδευόμενο από έναν αριθμό που αναφέρεται στις παρακάτω οδηγίες. Εμφιστά την προσοχή σε καταστάσεις στις οποίες ενδέχεται να υφίσταται κίνδυνος για την ασφάλεια του προϊόντος, του χρήστη ή του φρονιτή  
01 = Κίνδυνος παγίδευσης  
02 = Κίνδυνος ανατροπής  
03 = Μεταφορά σε μηχανοκίνητα οχήματα  
05 = Κίνδυνος συμπίεσης



**EN:** Listen to click sound

**NO:** Lytt etter en klikkelyd

**FIN:** Écoutez le dé clic

**RU:** Прислушайтесь, чтобы услышать щелчок

**JP:** カチッと言う音が聞こえます

**DE:** Achten Sie auf das Klicken.

**SV:** Lyssna efter klickljudet

**IT:** Attendere che venga emesso un clic

**PL:** Nasłuchuj dźwięku zatrzaśnięcia.

**GR:** Ακούστε το κλικ

**NL:** Let op het klikgeluid.

**FIN:** Kuuntele napsahtavaa ääntä

**PT:** Ouvir o som de clique

**CZ:** Věnujte pozornost zvuku cvaknutí

**DK:** Vær opmærksom på klik lyden

**ES:** Escuche el clic

**BR:** Ouça ao som de clique

**SN:** 注意听叩击声



**EN:** Warewashing machine

**NO:** Desinfiseringsmaskin

**FR:** Machine à laver

**RU:** Посудомоечная машина

**JP:** 器具洗浄機

**DE:** Spezialwaschmaschine (für Rehaprodukte)

**SV:** Rengöring av produkten i maskin

**IT:** Lavastoviglie industriale

**PL:** Zmywarka

**GR:** Πλυντήριο εξοπλισμού

**NL:** Vaatwasser

**FIN:** Ei saa pestä pesukoneessa

**PT:** Máquina de lavar loiça

**CZ:** Myčka na zdravotní pomůcky

**DK:** Industri-vaskemaskine

**ES:** Máquina de lavado

**BR:** Máquina de lavar loiça

**SN:** 请勿使用洗碗机清洗



**EN:** Correct use

**NO:** Korrekt bruk

**FR:** Utilisation correcte

**RU:** Правильное использование

**JP:** 全適切な使用

**DE:** Richtig

**SV:** Korrekt användning

**IT:** Uso corretto

**PL:** Prawidłowe użytkowanie.

**GR:** Ορθή χρήση

**NL:** Juist gebruik

**FIN:** Oikea käyttö

**PT:** Uso correto

**CZ:** Správné používání











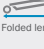
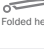



**DK:** Korrekt brug

**ES:** Uso correcto

**BR:** Uso correto

**SN:** 正确使用

## mm (inch)

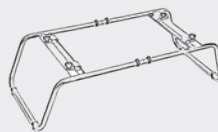
	 0	 1	 2	 3
 Effective seat width	330 (13")	330 (13")	330 (13")	400 (15¾")
 Effective seat depth	220–250 (8¾–9¾")	300–370 (11¾–14½")	390–460 (15¼–18")	400–470 (15¾–18½")
 Backrest height	430 (17")	430 (17")	580 (22¾")	640 (25¼")
 Lower leg length	280 (11")	280 (11")	350 (13¾")	350 (13¾")
 Seat surface height at front edge	140–430 (5½–17")	140–430 (5½–17")	140–430 (5½–17")	140–430 (5½–17")
 Overall width	420 (16½")	420 (16½")	420 (16½")	490 (19¼")
 Folded length	1030–1100 (40½–43¼")	1100–1170 (43–46")	1360–1430 (53½–56¼")	1440–1510 (56¾–59½")
 Folded height	130 (5")	130 (5")	130 (5")	130 (5")
 Mass device	5½ kg (12.1 lb)	5½ kg (12.1 lb)	6 kg (13.2 lb)	7 kg (15.4 lb)
 Max user mass	50 kg (110.2 lb)	50 kg (110.2 lb)	75 kg (165.3 lb)	75 kg (165.3 lb)
 Max rated load	57,5 kg (126.7 lb)	57,5 kg (126.7 lb)	83 kg (182.9 lb)	84 kg (185.1 lb)



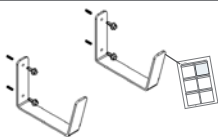
## mm (inch)

Shower frame - P/N 882100

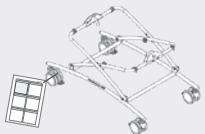
Bath tub frame - P/N 882101



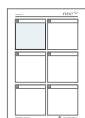
Frame width	590 (23¼")	-	435 (17¼")	-
Frame Length	980 (38½")	-	990-1110 (39-43¾")	-
Height	-	-	270 (10½")	-
Height, minimum	380 (15")	-	-	-
Height, minimum w/chair	760 (30")	-	-	-
Height middle	440 (17¼")	-	-	-
Height middle, w/chair	840 (33")	-	-	-
Height maximum	480 (19")	-	-	-
Height maximum, w/chair	900 (35½")	-	-	-
Frame height, folded	210 (8¼")	-	-	-
Mass device	8 kg (17.6 lb)	-	2 kg (4.4 lb)	-
Max. load	75 kg (165.3 lb)	-	75 kg (165.3 lb)	-
Max rated load	85 kg (187.3)	-	79 kg (174.1 lb)	-
Required width of corridor	1500 (59")	-	-	-
Minimum turning diameter	3000 (118")	-	-	-



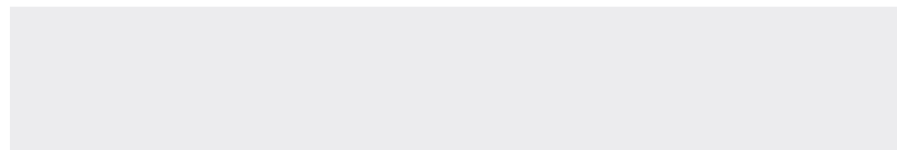
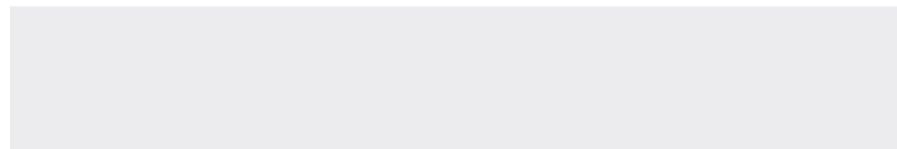
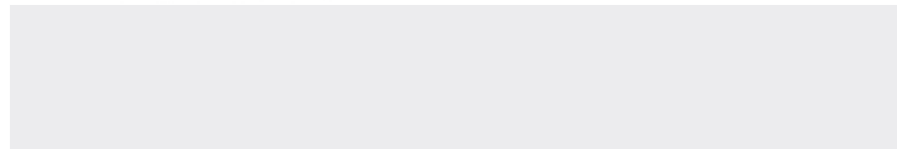
9996097454



9996097455



9996097456



## ENGLISH

We appreciate your choice of a new product from R82 - a worldwide supplier of technical aids and appliances for children and teenagers with special needs. To fully benefit from the options offered by this product please read this User Guide before use and save it for future reference.

### Intended purpose

The Manatee is a bathing chair suitable for disabled children. The chair is designed to place the user in exactly the right sitting position. The depth of the seat can be adjusted, allowing the chair to grow with the child. The product is for indoor use in a bathroom environment.

The target group for this device is disabled children with cerebral palsy (CP). Also, children with muscular dystrophy, spina bifida, spinal cord injuries and neurological impairments can be subject to the device. The product is suitable for children with GMFCS level 3-5.



### Declaration of Conformity

This product conforms to the requirements of the Medical Devices Regulation (2017/745). The CE mark must be removed when rebuilding the product, when used in combination with a product from another manufacturer or when using other than original R82 spare parts and fittings. Further, this product conforms to the requirements according to:

- EN 12182
- ISO 17966



### Disposal

When a product reaches the end of its lifetime, it should be separated by material type so that the parts can be recycled or disposed of properly. If required, please contact your local dealer for a precise description of each material. Please contact your local authorities to be informed of the options available for recycling in an environmentally-friendly way.

### Accessories and spare parts

The products from R82 can be supplied with a variety of accessories which comply with the needs of the individual user. Spare parts can be ordered on request. Find the specific accessories on our website or contact your local dealer for further information.

### R82 Warranty

R82 offers a 2-year warranty against defects in workmanship and materials and a 5-year warranty on breakage of the metal frame caused by defects in welds. The warranty would be adversely affected if the customer's responsibility of servicing and/or maintenance is not carried out according to the guidelines and intervals prescribed by the supplier and/or stated in the User Guide. For further information, we refer to the R82 homepage/download.

The warranty is only granted in the country where the product was purchased and if the product can be identified by the serial number. The warranty does not cover accidental damage, including damage caused by misuse or neglect. The warranty does not extend to consumable items e.g. tires or upholstery, which are subject to normal wear and tear and need periodic replacement.

The warranty is null and void if other than original parts/accessories are used, or if the product has not been maintained, repaired or altered according to the guidelines and intervals prescribed by the supplier and/or stated in the User Guide. R82 reserves the right to inspect the product being claimed for and the relevant documentation before agreeing to the warranty claim, and to decide upon whether to replace or repair the defective product. It is the customer's responsibility to return the item being claimed for under warranty to the address of purchase.

### Presales information

- [support.r82.org](http://support.r82.org)

## Safety

Signs, symbols and instructions placed on this product must never be covered or removed and must remain present and clearly legible throughout the entire lifetime of the product. Immediately replace or repair illegible or damaged signs, symbols and instructions. Contact your local dealer for instructions.

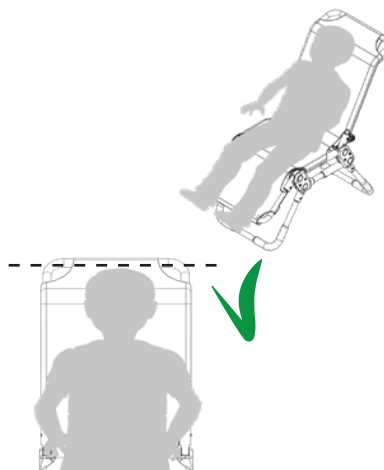
In case of an adverse event occurred in relation to the device, incidents should be reported to your local dealer and the national competent authority in a timely manner. The local dealer will forward information to manufacturer.

## Caregiver

- Read the "User Guide" carefully before use and keep it for future reference. Incorrect use of this product may cause serious injury to the user
- This product contains small parts which could present a choking hazard if removed from their intended placing
- Always use the correct lifting techniques and aids for this purpose
- Never leave the user unattended in this product. Ensure permanent supervision by an adult
- Repair/replacements must only be made using new original R82 spare parts and fittings and carried out in accordance with the guidelines and service intervals prescribed by the supplier
- If there is any doubt as to the continued safe use of your R82 product or if any parts should fail, stop using the product immediately and contact your local dealer as soon as possible

## Environment

- Observe the surface temperature on the product, before placing an user in it. This goes especially for users with insensitive skin as they cannot feel the heat. If the surface temperature is above 41 °C then allow the product to cool before use



## User

- If the user is close to the max. load limit and/or has a lot of involuntary movements, e.g. rocking, a larger size with a higher max. load or a different R82 product should be considered
- The head of a user must always be within the top of the frame

## Product

- Carry out all positional adjustments on the product and accessories and ensure that all knobs, screws and buckles are securely fastened before use. Keep all tools out of the reach of children
- Ensure the stability of the product is maintained before placing the user in it
- Please check on a regular basis that the zippers are safely closed.
- Check that all release buttons mesh into place after adjustment
- Ensure the Anti-slip rubber covers are functional
- Check on the cover, belts and accessories and make sure that the Velcro fastens securely
- The enclosed belts and accessories cannot be used as long-term supports but may only be used as an extra help when positioning the user.

## Service information

Maintenance of a medical device is wholly the responsibility of the owner of that device. Failure to maintain a device in accordance with the instructions may invalidate the device's warranty. Furthermore, failure to maintain a device may compromise the clinical condition or safety of users and/or their caregivers. Do not perform service and maintenance while the user is in the product. If the product is subject to tap water containing chlorine, then discoloration of plastics and fabric can be expected.

### 1st Day

- Read the User Guide carefully before use and store it in a safe place for future reference

### After every use

- Rinse the product with water to remove leftovers from soap and organic material

### Daily

- Clean the anti-slip rubber covers, using a cloth with warm water and mild detergent and wipe them dry
- Visual inspection. Repair or replace any damaged or worn-out parts
- Check all fittings and buckles for signs of worn out parts
- Ensure that all fasteners are in place and fitted correctly
- Be aware of any MAX mark indications before adjustment

### Monthly

- All nuts and bolts on this product must be checked and tightened to avoid unnecessary failures

- Oil the swing-away parts. We recommend you use a professional lubricant system

#### Every 6 months

- Inspect the frame for cracks or signs for worn-out parts and carry out annual service. Never use a product which appears to be substandard or faulty

#### Disinfection

The product can be disinfected with a 70% disinfectant IPA solution. It is recommended to wipe off any residue and dirt from the product, using a cloth with warm water and a mild detergent/soap without chlorine and let it dry before disinfection.

Before disinfection

Remove the following items and clean them separately: Cover, Cushioning & Accessories

#### Washing

The cover can be washed at max. 50 °C using a mild detergent in a washing machine.

#### Washing machine

This product can be washed at 60° using a mild detergent for 10 minutes in a washing machine designed for medical devices. Use the machine's drying function to dry the product.

This product can be washed at 85° using a mild detergent for 3 minutes in a washing machine designed for medical devices. Use the machine's drying function to dry the product.

#### Before washing

Remove the following items and clean them separately: Cover, Cushioning & Accessories

#### Service interval

A detailed inspection of the product must be made every 12 months (every 6 months for heavy users) and every time the product is reissued for use. The inspection should be carried out by a technically competent person who has been trained in the use of the product.

The lifetime of this product in normal use is 5 years if all maintenance and servicing is carried out in accordance with the manufacturer's instructions and demonstrably recorded.

#### Service Check List:

Check and adjust the following functions as per their intended use. Repair or replace any damaged or worn-out parts. Please check the:

- Backrest and leg support is adjustable and can be locked in position
- Zipper(s) & Velcro
- Chair is foldable/unfoldable
- Nuts and bolts on the product are tightened
- Product for cracks or signs for worn-out parts
- All labels on the product are intact

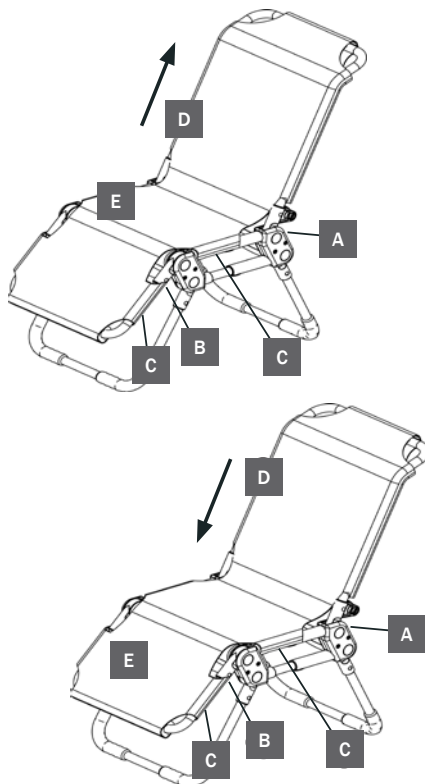
#### Dismounting and Mounting the Cover

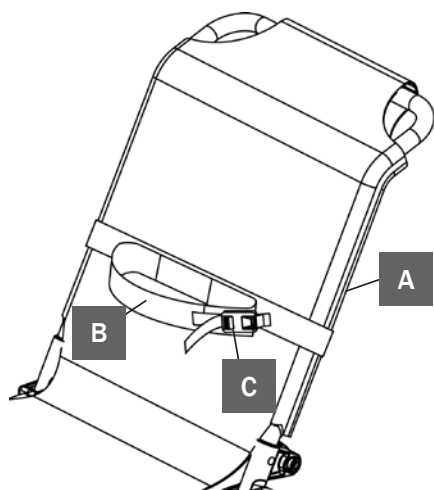
Follow the description below when the cover needs to be dismounted and washed:

1. Unzip the cover on the back (A) and underneath the seat (B)
2. Open the velcro underneath the chair (C) and the cover can be pulled up (D) and off the chair

Follow the description below to remount the cover on the chair:

1. Put the cover over the back and pull down (D). Make sure that the foam cushions in the cover are placed around the frame
2. Zip the cover on the back of the chair (A)
3. Mount the small cover piece with the zipper underneath the chair (B). Make sure that the velcro is pointing downwards
4. Tip up the leg support (E) and the velcro underneath the seat (C) and underneath the leg support (C) can be closed. Make sure that the foam cushions in the cover are placed around the frame
5. Tip down the leg support (E) and make sure the velcro is fastened correctly





## Accessories

### Body support

Please follow the description below to mount the body support the correct way:

1. Fasten the strap with velcro around the back (A)
2. Place the user in the chair. Mount the strap (B) around the body
3. Tighten the body support with velcro and the buckle (C)

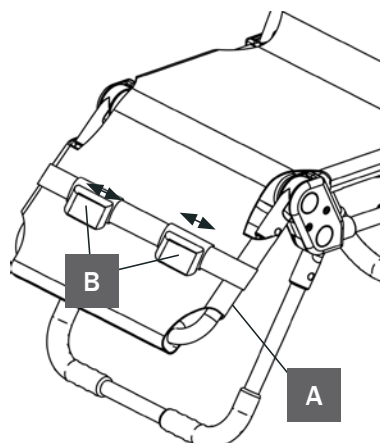
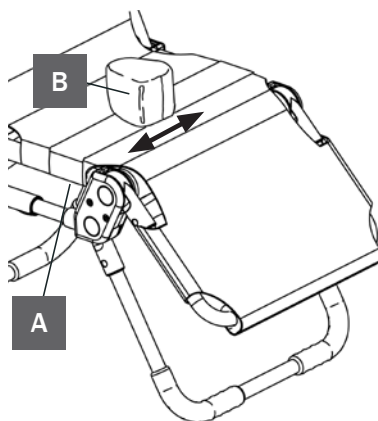
The body support may not be used as a long-term support. This support is only designed to make it easier to place the user in the chair.

### Pommel with strap

Please follow the instructions below to mount the pommel and the strap the correct way:

1. Fasten the strap with velcro underneath the seat (A)
2. Adjust the pommel (B) sideways to gain the optimal position

The pommel with strap may not be used as a long-term support. This support is only designed to make it easier to place the user in the chair.



### Straps for leg control

Please follow the description below to mount the straps the correct way:

1. Fasten the strap with velcro underneath the leg support (A)
2. Adjust the straps (B) sideways to gain the optimal position. Fasten with velcro

The straps may not be used as a long-term support. This support is only designed to make it easier to place the user in the chair.

## DEUTSCH

Herzlichen Glückwunsch und vielen Dank für die Wahl des neuen Produktes von R82 - einem weltweiten Lieferanten für Hilfsmittel und Therapiegeräte für behinderte Kinder und Jugendliche. Um alle Möglichkeiten des Produktes kennen zu lernen, empfehlen wir Ihnen, diese Bedienungsanleitung zu lesen und für den späteren Gebrauch aufzubewahren.

### Zweckbestimmung

Die Manatee ist eine Badeliege für behinderte Kinder. Die Badeliege ist so konstruiert, dass der Nutzer in genau die richtige Sitzposition gebracht werden kann. Da sich die Tiefe des Sitzes verstellen lässt, kann die Badeliege mit dem Kind „mitwachsen“. Das Produkt ist für die Verwendung im Innenbereich im Badezimmer vorgesehen.

Die Zielgruppe dieser Stehhilfe sind Kinder mit Zerebralparese. Auch Kinder mit Muskeldystrophie, Spina bifida, Rückenmarksverletzungen und neurologischen Beeinträchtigungen können die Stehhilfe benutzen. Das Produkt ist für Kinder mit GMFCS Level 3-5 geeignet.



### Konformitätserklärung

Dieses Produkt entspricht den Anforderungen der Verordnung (EU) 2017/745 über Medizinprodukte. Die CE-Kennzeichnung muss entfernt werden, wenn das Produkt umgebaut, zusammen mit einem Produkt eines anderen Herstellers verwendet oder mit anderen als den R82 Original-Ersatz- oder Zubehörteilen benutzt wird. Darüber hinaus entspricht dieses Produkt den Anforderungen gemäß:

- EN 12182
- ISO 17966



### Recycling Information

Am Ende des Produktlebenszyklus, kann das Produkt durch das Trennen und Separieren der einzelnen Materialien entsorgt und recycled werden. Bitte kontaktieren Sie bei Bedarf die lokalen Behörden, um sich über die Möglichkeit der umweltfreundlichen Wiederverwendung der einzelnen Materialien des Produktes zu informieren. Bitte kontaktieren Sie die lokalen Behörden, um sich über die Möglichkeiten einer umweltfreundlichen Wiederverwertung des gebrauchten Produktes zu informieren.

### Zubehör und Ersatzteile

Das R82 Produkt kann mit einer Vielzahl von verschiedenen Zubehörteilen geliefert werden, um es an die individuellen Bedürfnisse des Nutzers optimal anzupassen. Ersatzteile sind auf Anfrage erhältlich. Sie finden die verschiedenen Ausführungen des Zubehörs auf unserer Homepage, fragen Sie Ihren Fachhändler nach weiteren Informationen.

### R82 Garantie

R82 gewährt eine Garantie von 2 Jahren auf die Verarbeitung und das Material sowie eine Garantie von 5 Jahren auf das Metallgestell (gegen Bruchschäden an Schweißnähten). Die Garantie erlischt, wenn der Kunde seiner Verpflichtung zur täglichen Pflege und/oder Wartung gemäß den vom Hersteller vorgegebenen und/oder in der Bedienungsanleitung genannten Richtlinien und Intervallen nicht nachkommt. Weitere Informationen finden Sie auf der Homepage von R82 unter „Download“.

Die Gewährleistung besteht nur in dem Land, in dem das Produkt gekauft wurde und wenn sich das Produkt anhand seiner Seriennummer identifizieren lässt. Von der Garantie ausgeschlossen sind Unfallschäden sowie Schäden, die durch falsche Verwendung oder Fahrlässigkeit verursacht wurden. Die Garantie beinhaltet keine Teile, die einem Verschleiß oder einer normalen Abnutzung unterliegen, z.B. Reifen, Polster usw.. Diese Verschleißteile müssen regelmäßig überprüft und bei Bedarf getauscht werden.

Die Garantie erlischt, wenn andere als Originalteile/Originalzubehörteile verwendet werden oder wenn das Produkt nicht den Richtlinien und Abständen entsprechend gewartet, repariert oder verändert wird, die vom Lieferanten vorgeschrieben und/oder in der Bedienungsanleitung aufgeführt sind. R82 behält sich das Recht vor, das fragliche Produkt sowie die relevanten Unterlagen in Augenschein zu nehmen, bevor ein Garantieanspruch anerkannt wird, und zu entscheiden, ob das defekte Produkt ausgetauscht oder repariert wird. Der Kunde ist verpflichtet, das fragliche Produkt (zu dem der Garantieanspruch geltend gemacht wird) an die Kaufadresse zurückzugeben.

### Vorverkaufsinformationen

- Support.r82.org

### Sicherheitshinweise

Zeichen, Symbole und Anleitungen sind auf diesem Produkt angebracht und müssen auch während der gesamten Lebensdauer des Produktes angebracht bleiben und deutlich lesbar sein. Beschädigte, unlesbare oder entfernte Zeichen, Symbole oder Anleitung müssen sofort ersetzt werden. Setzen Sie sich hierzu mit dem zuständigen Fachhandel in Verbindung.

Im Falle eines unerwünschten Ereignisses, das mit dem Produkt zusammenhängt, melden Sie etwaige Vorfälle bitte umgehend Ihrem lokalen Händler und der zuständigen nationalen Behörde. Der lokale Händler leitet die entsprechenden Informationen an den Hersteller weiter.

### Eltern, Therapeuten, Pflegedienst

- Lesen Sie diese Bedienungsanleitung aufmerksam vor dem ersten Gebrauch des Produktes und verwahren Sie diese für den späteren Gebrauch. Die Sicherheit des Nutzers kann beeinträchtigt werden, wenn Sie nicht den Anweisungen der Anleitung folgen.
- Dieses Produkt enthält kleine Teile, die bei Verschlucken eine Erstickungsgefahr darstellen können, wenn sie von ihrer vorgesehenen Platzierung entfernt werden.

- Nutzen Sie das Hilfsmittel immer nur zu dem Anwendungszweck, für den es von R82 entwickelt wurde
- Lassen Sie den Nutzer niemals unbeaufsichtigt das Produkt benutzen. Stellen Sie sicher, dass der Nutzer immer durch einen Erwachsenen beaufsichtigt wird
- Für Reparaturen bzw. beim Austausch von Teilen dürfen nur neue Original R82 Ersatz- und Zubehörteile verwendet, die Bedienungseinleitung muss beachtet und die Intervalle für Wartungen, die durch den Lieferanten vorgegeben sind, müssen eingehalten werden
- Wenn Zweifel an der Sicherheit des genutzten R82 Produktes bestehen bzw. wenn Teile defekt oder fehlerhaft sind, stellen Sie bitte sofort die Nutzung des Produktes ein und informieren Sie umgehend, den für Sie zuständigen Fachhändler

### Umfeld

- Stellen Sie sicher, dass die Oberfläche des Produkts eine angenehme Temperatur hat, bevor Sie den Benutzer hineinsetzen. Dies gilt insbesondere für Benutzer mit unempfindlicher Haut, da diese eine eventuelle Hitzeeinwirkung nicht spüren können. Wenn die Oberflächentemperatur mehr als 41 °C beträgt, lassen Sie das Produkt vor der Nutzung abkühlen

### Nutzer

- Wenn der Nutzer mit seinem Gewicht nah an der max. Belastbarkeit des Produktes ist und / oder er stärkere ungewollte Bewegungen hat, z.B. Spastiken, sollte überlegt werden, ob eine größere Größe des Produktes mit einem höheren Nutzergewicht oder ein anders R82 Produkte die bessere Wahl ist
- Der Kopf des Benutzers muss sich immer innerhalb des oberen Bereichs des Rahmens befinden.

### Produkt

- Führen Sie alle Einstellung bzw. Anpassung der Zubehörteile zur Positionierung des Nutzers durch und überprüfen Sie, ob alle Schrauben, Handschrauben und Verschlüsse korrekt angezogen bzw. verriegelt sind, bevor das Produkt genutzt wird. Das Werkzeug darf sich nicht in der Reichweite des Nutzers befinden
- Stellen Sie sicher, dass die Stabilität bzw. Standsicherheit des Produktes gewährleistet ist, bevor der Nutzer im Produkt platziert wird und die Bremsen
- Regelmäßig überprüfen, ob die Verschlüsse sicher verschlossen sind
- Vergewissern Sie sich, dass alle Entriegelungsknöpfe nach dem Einstellen richtig einrasten.
- Stellen Sie sicher, dass die rutschfesten Gummibeläge intakt sind
- Überprüfen Sie den Zusammenhalt des Klettbandes bei Bezug, Gurten und Zubehör
- Zubehör und Gurte sollten nur zur Hilfe genommen werden, wenn das Kind im Stuhl platziert wird. Sie dienen nicht zur Körperkorrektur

### Serviceinformationen

Die Verantwortlichkeit für die Wartung des medizinischen Hilfsmittels bzw. Therapiegerätes liegt in der Verantwortung des Eigentümers bzw. Besitzers des Produktes. Die Nichteinhaltung der Wartungen bzw. der Wartungsintervalle gemäß dem Zeitplan der Bedienungsanleitung des Produktes kann das Erlöschen der Garantie dieses Produktes zur Folge haben. Weiterhin kann die Nichteinhaltung der Wartungen zu einer Beeinträchtigung der Funktionstüchtigkeit führen bzw. die Sicherheit des Nutzers und / oder der Pflegekraft bzw. Begleitperson gefährden.

Wenn das Produkt chlorhaltigem Leitungswasser ausgesetzt ist, sind Verfärbungen von Kunststoffen und Geweben zu erwarten.

#### 1. Tag

- Lesen Sie die Anleitung sorgfältig vor dem Gebrauch des Produktes und bewahren Sie diese für die spätere Verwendung auf

#### Nach jedem Gebrauch

- Das Produkt mit Wasser abspülen, um Seifenreste und Reste organischen Materials zu entfernen

#### Täglich

- Reinigen Sie die rutschfesten Gummibeläge mit einem Tuch mit warmem Wasser und einem milden Reinigungsmittel und trocknen Sie sie ab.
- Optische Inspektion. Defekte oder abgenutzte Teile müssen umgehend ersetzt oder repariert werden. Versichern Sie sich, dass alle Befestigungen an ihrem Platz sind
- Überprüfung der Gurte, Westen, Verschlüsse auf Verschleisspuren
- Versichern Sie sich, dass alle Befestigungen an ihrem Platz sind
- Achten Sie bei alle Einstellungen auf die MAX Angaben bzw. Kennzeichnungen

#### Monatlich

- Alle Schrauben, Muttern und anderen Verriegelungen müssen regelmäßig überprüft und festgezogen werden, um ungewollten Fehlern vorzubeugen
- Ölen Sie die beweglichen Teile, wir empfehlen ein professionelles Schmiermittel

#### Alle 6 Monate

- Überprüfen Sie den Rahmen und die Rahmenteile auf Verschleiß bzw. Nutzen Sie niemals ein Produkt mit festgestellten Fehlern oder Mängel. Lassen Sie min. einmal im Jahr die Inspektion durchführen

#### Desinfektion

Das Produkt kann mit einer 70%igen Isopropanol-Desinfektionslösung desinfiziert werden. Es wird empfohlen, sämtliche am Produkt anhaftenden Rückstände und Schmutz mit einem Tuch mit warmem Wasser und einem milden Reinigungsmittel/einer milden Seife (chlorfreies Produkt) zu entfernen und das Produkt vor der Desinfektion trocken zu lassen.

Vor dem Desinfektion

Die folgenden Komponenten entfernen und separat reinigen: Bezug, Polsterung & Zubehör



## Waschen

Der Bezug bei max. 50 °C mit einem milden Waschmittel in einer Waschmaschine gewaschen werden.

## Reinigung in einer Spezialwaschmaschine

Dieses Produkt kann, z.B. für die Aufbereitung für den Wiedereinsatz, in einer speziellen Waschmaschine, die für Medizinprodukte geeignet ist, gereinigt und desinfiziert werden. Es kann hierzu 10 Minuten bei 60° mit einem milden handelsüblichen Reinigungs- bzw. Desinfektionsmittel gewaschen werden. Das Produkt vor der erneuten Verwendung trocknen lassen

Dieses Produkt kann, z.B. für die Aufbereitung für den Wiedereinsatz, in einer speziellen Waschmaschine, die für Medizinprodukte geeignet ist, gereinigt und desinfiziert werden. Es kann hierzu 3 Minuten bei 85° mit einem milden handelsüblichen Reinigungs- bzw. Desinfektionsmittel gewaschen werden. Das Produkt vor der erneuten Verwendung trocknen lassen

## Vor dem Waschen

Die folgenden Komponenten entfernen und separat reinigen: Bezug, Polsterung & Zubehör

## Serviceintervalle

Eine umfassende Inspektion des Produktes muss alle 12 Monate durchgeführt werden (bei starker Beanspruchung bzw. schweren Nutzern alle 6 Monate) und zusätzlich jedes mal, wenn das Produkt für einen Nutzer verwendet wird. Die Inspektion muss von einer technischen Fachkraft durchgeführt werden, die für dieses Produkt geschult worden ist. Bitte informieren Sie im Falle einer Reparatur ihren Fachhändler.

Nutzungsdauer: Die Lebensdauer dieses Produktes beträgt bei normalem Einsatz 5 Jahre unter der Voraussetzung, dass jeder Service und jede Wartung innerhalb der Intervalle des Wartungsplans des Herstellers durchgeführt und dokumentiert worden ist.

## Service-Checkliste:

Die folgenden Funktionen auf ihre beabsichtigte Verwendung prüfen und einstellen: Beschädigte und verschlissene Teile reparieren und auswechseln. Bitte Folgendes prüfen:

- Rückenlehne und Beinstütze sind verstell- und arretierbar.
- Reißverschlüss(e) & Klettverschluss
- Der Badestuhl ist zusammenklappbar.
- Dass Muttern und Schrauben am Produkt angezogen sind.
- Das Produkt auf Risse oder verschlissene Teile
- Dass alle Etiketten am Produkt intakt sind.

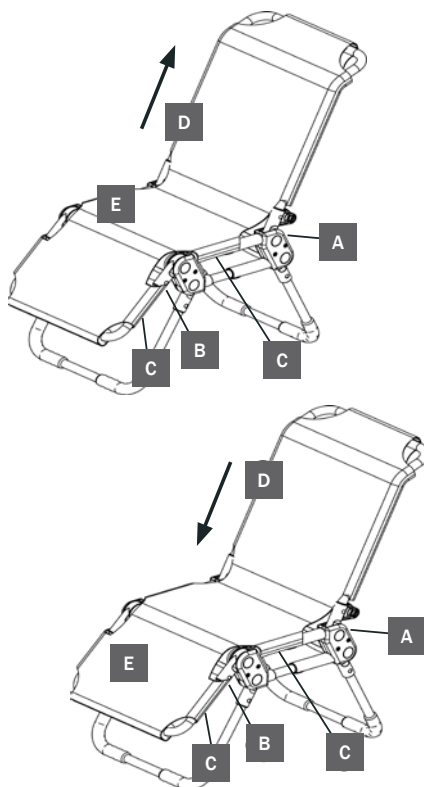
## Montage / Demontage Bezug

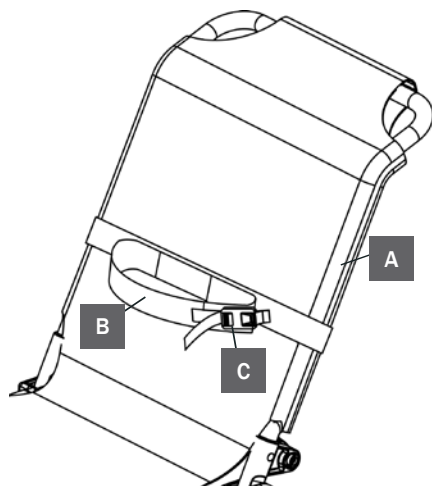
Folgende Schritte befolgen, um Bezug zu entfernen und zu waschen:

1. Verschluss des Bezugs am Rücken A und unter dem Sitz B öffnen
2. Klettverschluss unter dem Stuhl C öffnen und der Bezug kann abgenommen werden

Folgende Schritte befolgen, um Bezug zu montieren:

1. Bezug über die Rückenlehne führen und nach unten ziehen D. Schaumstoffpolster im Bezug um das Gestell legen
2. Bezug auf der Rückseite des Stuhls schließen A
3. Das kleine Stück des Bezuges mit dem Verschluss unter den Stuhl platzieren B. Klettband zeigt nach unten
4. Beinstütze E nach oben klappen, dann Klettband unter dem Sitz C und unter der Beinstütze C schließen. Schaumstoffpolster muss im Bezug um das Gestell liegen
5. Beinstütze E nach unten klappen und prüfen, ob Klettband fest verschlossen ist





## Zubehör

### Körperstütze

Folgende Schritte befolgen, um die Körperstütze zu montieren:

1. Gurt mit dem Klett auf der Rückseite befestigen A
2. Benutzer im Stuhl platzieren. Den Gurt B um den Körper legen
3. Körperstütze mit dem Klett und der Schnalle feststellen

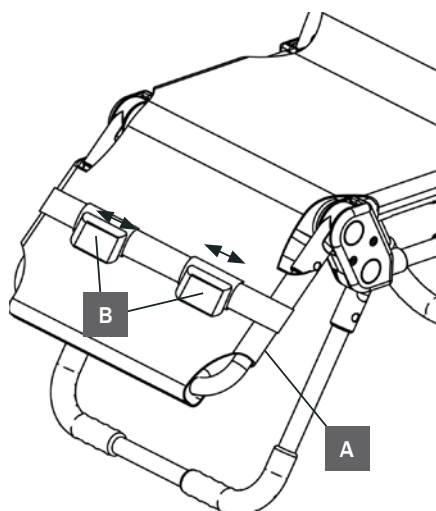
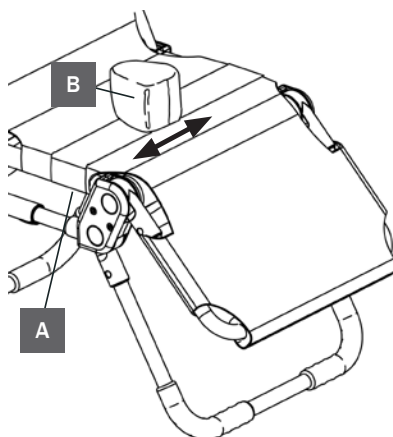
Die Körperstütze sollte nicht über einen längeren Zeitraum eingesetzt werden. Es wurde entworfen, um das Kind leichter im Stuhl platzieren zu können.

### Abduktionskeil mit Gurt

Folgende Schritte befolgen, um den Abduktionskeil zu montieren:

1. Gurt mit Klettband unter dem Sitz festmachen A
2. Abduktionskeil B seitlich in die gewünschte Position bringen

Der Keil sollte nicht über einen längeren Zeitraum eingesetzt werden. Es wurde entworfen, um das Kind leichter im Stuhl platzieren zu können.



### Beingurt

Folgende Schritte befolgen, um Gurt zu montieren:

- Gurt mit Klettband unter der Beinstütze festmachen A
- Die Keile B seitlich in die gewünschte Position bringen um mit Klettband fixieren

Beingurt sollte nicht über einen längeren Zeitraum eingesetzt werden. Er wurde entworfen, um das Kind leichter im Stuhl platzieren zu können.

## NEDERLANDS

Wij waarderen uw keus voor deze voorziening van R82 - een wereldwijde leverancier van technische hulpmiddelen en apparatuur voor kinderen en jongeren met een beperking. Om optimaal gebruik te maken van alle mogelijkheden die deze voorziening biedt, raden wij u aan deze informatie goed door te lezen, voordat u deze voorziening gaat gebruiken. Bewaar deze User Guide als naslagwerk.

### Bestemming

De Manatee is een badstoel voor kinderen met een beperking. De stoel is zo vormgegeven dat de gebruiker in precies de juiste zithouding wordt geplaatst. De hoogte van de zitting is verstelbaar, zodat de stoel met het kind kan meegroeien. Het product is bedoeld voor gebruik binnenshuis in de badkamer.

De doelgroep voor dit apparaat zijn kinderen met cerebrale parese. Ook kinderen met spierdystrofie, spina bifida, ruggenmergletsel en neurologische aandoeningen kunnen het apparaat gebruiken. Het product is geschikt voor kinderen met GMFCS-niveau 3-5.



### Verklaring van overeenstemming

Dit product voldoet aan de vereisten van de Verordening medische hulpmiddelen (2017/45). Het CE-keurmerk moet worden verwijderd bij reconstructie van het product, wanneer het wordt gebruikt in combinatie met een product van een andere fabrikant of wanneer er andere dan originele R82-reserveonderdelen en -bevestigingen worden gebruikt. Verder voldoet dit product aan de vereisten conform:

- EN 12182
- ISO 17966



### Recycle informatie

Wanneer een voorziening het einde van haar levensduur bereikt, dient het te worden gescheiden op verschillende materialen, zodat de onderdelen kunnen worden gerecycled of op een juiste wijze kunnen worden afgevoerd. Neem, indien nodig, contact op met de importeur voor een nauwkeurige beschrijving van elk materiaal.

### Accessoires en reserve onderdelen

De voorzieningen van R82 kunnen worden uitgerust met diverse accessoires, die voldoen aan de behoeften van het kind/de tiener. Vervangende-onderdelen zijn beschikbaar op aanvraag. De specifieke accessoires vindt u op onze website. Neem contact op met uw dealer voor meer informatie.

### R82 Garantie

R82 biedt 2 jaar garantie op gebreken in uitvoering en materialen en 5 jaar garantie op framebreuk veroorzaakt door lasfouten. De garantie kan nadelig worden beïnvloed, indien de dealer of ouders zijn/haar verantwoordelijkheid niet neemt ten aanzien van servicebeurten en/of dagelijks onderhoud conform de door R82 voorgeschreven en/of in de User Guide aangegeven richtlijnen en intervallen. Voor meer informatie verwijzen we naar de website van R82 onder de rubriek; Service > download.

De garantie geldt alleen in het land waar het product is gekocht, en als de voorziening kan worden geïdentificeerd aan de hand van het serienummer. De garantie dekt geen schade door ongevallen, met inbegrip van schade veroorzaakt door onjuist gebruik of onachtzaamheid. De garantie heeft geen betrekking op gebruiksonderdelen zoals bijvoorbeeld banden en bekleding welke onderhevig zijn aan normale slijtage en op gezette tijden moeten worden vervangen.

Deze garantie vervalt indien andere dan niet-originele onderdelen/accessoires worden gebruikt of als het product niet is onderhouden, gerepareerd of gewijzigd volgens de richtlijnen en intervallen die door de leverancier worden voorgeschreven en/of worden vermeld in de gebruikershandleiding (User Guide). R82 behoudt zich het recht voor om de voorziening waarvoor een claim wordt ingediend inclusief de bijbehorende documentatie te onderzoeken alvorens de garantie claim te honoreren en/of te besluiten de defecte voorziening, accessoire of het onderdeel te vervangen of te repareren. De dealer dient het betreffende onderdeel waarvoor een claim wordt ingediend op te sturen naar het adres waar hij het heeft aangeschaft.

### Voorverkoopinformatie

- [Support.r82.org](mailto:Support.r82.org)

## Veiligheid

De op deze voorziening aangebrachte stickers, aanduidingen en instructies mogen nooit afgedekt of verwijderd worden en moeten gedurende de gehele levensduur van de voorziening op hun plek blijven zitten en duidelijk leesbaar zijn. Vervang of herstel onleesbare of beschadigde stickers, aanduidingen en instructies onmiddellijk. Neem contact op met de importeur voor instructies.

In geval van een ongewenste gebeurtenis met betrekking tot het apparaat, moeten incidenten tijdig worden gemeld aan uw lokale dealer en de nationale bevoegde autoriteit. De lokale dealer stuurt de informatie door naar de fabrikant.

## Ouder/verzorgende

- Lees alle instructies en User Guide aandachtig door voor gebruik en bewaar deze als naslagwerk. Onjuist gebruik van deze voorziening kan leiden tot ernstig letsel aan het kind/de tiener
- Dit product bevat kleine onderdelen die ingeslikt kunnen worden. Verstikkingsgevaar als ze worden verwijderd van hun oorspronkelijke plaats
- Gebruik altijd de juiste tiltechnieken en tilhulpmiddelen
- Laat het kind/de tiener nooit zonder toezicht alleen in deze voorziening. Zorg voor permanent toezicht door een volwassene
- Reparaties/vervangingen mogen alleen worden gedaan met behulp van nieuwe originele R82-reserve-onderdelen en accessoires en volgens de richtlijnen en intervallen voorgeschreven door R82
- In geval van twijfel over het veilig kunnen gebruiken van uw voorziening of als er onderdelen niet juist functioneren, raden wij u aan om de voorziening niet langer te gebruiken en zo spoedig mogelijk contact op te nemen met uw dealer

## Omgeving

- Controleer de temperatuur van het oppervlak van het product voordat u een gebruiker erin laat plaatsnemen. Dit geldt met name voor gebruikers met een gevoelloze huid, omdat zij geen warmte kunnen voelen. Laat het product voor gebruik afkoelen als het oppervlak warmer is dan 41 °C

## Kind/tiener

- Als het kind/de tiener tegen het maximale gewicht aan zit en/of veel ongecontroleerde bewegingen maakt, dient u te overwegen om over te stappen op een grotere maat, met een hogere maximale belasting of te kiezen voor een andere voorziening
- Het hoofd van de gebruiker mag nooit boven het frame uitsteken

## De voorziening

- Voer voor het eerste gebruik alle in/verstellingen uit aan de voorziening en accessoires en zorg ervoor dat alle knoppen, schroeven en gespen goed vastzitten. Houd alle gereedschappen buiten bereik van kinderen
- Controleer of de voorziening stabiel staat alvorens het kind/de tiener in de voorziening te plaatsen
- Controleer regelmatig of de ritssluitingen nog goed werken en sluiten.
- Controleer of alle ontgrendelingsknoppen op hun plaats klikken na het verstellen
- Ga na of de rubberen antislipbeschermingen functioneren
- Controleer regelmatig de bekleding, banden en accessoires en zorg dat het klittenband goed hecht.
- De meegeleverde banden en accessoires zijn niet geschikt voor langdurige ondersteuning, maar mogen alleen worden gebruikt als extra ondersteuning op de Manatee

## Onderhoudsinformatie

Het onderhoud van de voorziening is geheel en al de taak van de bezitter van het hulpmiddel. Als een hulpmiddel niet volgens de instructies wordt onderhouden, kan dat de garantie op het hulpmiddel ongeldig maken. Verder kan het niet-onderhouden van een hulpmiddel de klinische toestand of veiligheid van het kind en/of de begeleider in gevaar brengen.

Als het product in aanraking komt met kraanwater waar chloor in zit, dan valt het te verwachten dat het plastic en de stof verkleuren.

## Vóór 1e gebruik

- Lees vóór gebruik van de voorziening de User Guide goed door en bewaar deze op een veilige plek als naslagwerk

## Na elk gebruik

- Spoel het product af met water om achtergebleven zeepresten en organisch materiaal te verwijderen

## Dagelijks

- Reinig de rubberen antislipbeschermingen met doek met warm water en een mild schoonmaakmiddel en droog ze vervolgens af
- Visuele inspectie: herstel of vervang beschadigde of versleten onderdelen
- Controleer alle fixaties en gespen op tekenen van slijtage van onderdelen
- Controleer of alle fixaties aanwezig zijn en correct zijn aangebracht
- Let op eventuele maximaaanduidingen voordat u een in/verstelling gaat verrichten

## Maandelijks

- Alle moeren, bouten en knoppen van deze voorziening moeten worden gecontroleerd en aangedraaid om losraken te voorkomen
- Doe wat smeermiddel op de wegzwenkbare onderdelen. We raden aan een professioneel smeermiddel te gebruiken

## Om de 6 maanden

- Inspecteer het frame op scheuren en werk de servicechecklist af. Gebruik nooit een voorziening welke gebreken vertoont. Raadpleeg de servicechecklist

### Desinfectie

Het product kan worden gedesinfecteerd met een ontsmettingsmiddel met isopropylalcohol 70%. Het wordt aanbevolen om eventuele resten en vuil met een doek en warm water met een mild(e) wasmiddel/zeep zonder chloor van het product te verwijderen en het product te laten drogen voordat u gaat desinfecteren.

Voordat u desinfectie

Verwijder de volgende onderdelen en reinig ze afzonderlijk: Stof, Opvulling & Accessoires

### Wassen

De hoes kan op maximaal 50°C in de wasmachine worden gewassen met een mild wasmiddel.

### Hulpmiddelen wasmachine

Dit product kan gedurende 10 minuten op 60 ° in een wasmachine voor medische hulpmiddelen schoongemaakt worden. Gebruikmakend van een mild schoonmaakmiddel of desinfectie schoonmaakmiddel zonder chloor. Laat het product drogen voor hergebruik.

Dit product kan gedurende 3 minuten op 85 ° in een wasmachine voor medische hulpmiddelen schoongemaakt worden. Gebruikmakend van een mild schoonmaakmiddel of desinfectie schoonmaakmiddel zonder chloor. Laat het product drogen voor hergebruik.

### Voordat u reinigt

Verwijder de volgende onderdelen en reinig ze afzonderlijk: Stof, Opvulling & Accessoires

### Service-interval

Elke 12 maanden dient de voorziening een gedetailleerde inspectie te ondergaan. (bij intensief gebruik elke 6 maanden) en elke keer wanneer de voorziening wordt herverstrekt. De inspectie moet worden uitgevoerd door een technisch bevoegd persoon, die is opgeleid in het onderhoud van de voorziening. Neem contact op met uw lokale dealer voor reparatie instructies.

De levensduur van deze voorziening bij normaal gebruik is 5 jaar, indien al het onderhoud wordt uitgevoerd in overeenstemming met instructies van de fabrikant en aantoonbaar zijn vastgelegd.

### Onderhoudschecklist:

Controleer de volgende functies op de beoogde werking en stel af waar nodig. Repareer of vervang beschadigde of versleten onderdelen. Controleer:

- De rugleuning en beensteunen zijn verstelbaar en kunnen in positie worden vergrendeld
- Rits(en) & Velcro
- De stoel is inklapbaar/uitklapbaar
- Controleer of moeren en bouten op het product zijn aangehaald
- Controleer het product op scheuren of tekenen van slijtage aan de onderdelen
- Controleer of alle etiketten op het product intact zijn

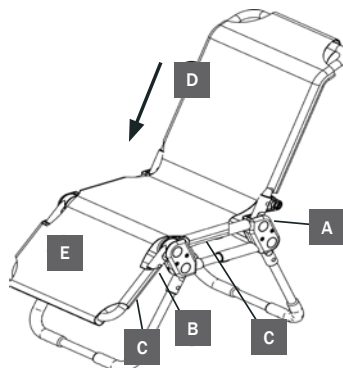
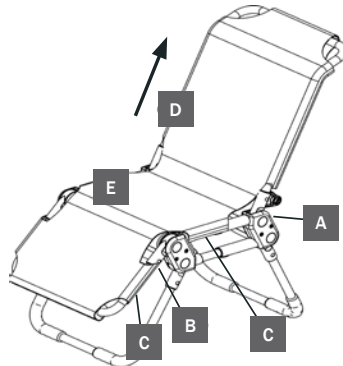
### Verwijderen en aanbrengen

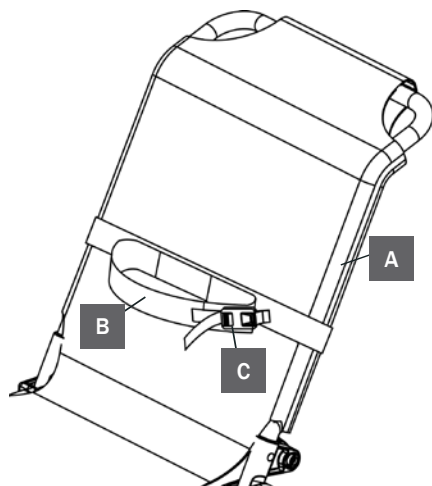
VAN DE BEKLEDING - Volg onderstaande stappen wanneer de bekleding dient te worden verwijderd en/of gewassen:

1. Maak de bekleding los aan de achterzijde van de rugleuning (A) en onder de zitting (B)
2. Maak het klittenband los onder de zitting (C) en trek de bekleding van de badzit door deze omhoog te trekken (D)

Volg onderstaande stappen om de bekleding aan te brengen op de badzit:

1. Plaats de bekleding over de rugleuning en trek deze naar beneden (D). Zorg dat de schuimdelen in de bekleding om het frame vallen
2. Maak de bekleding vast aan de achterzijde van de rugleuning (A)
3. Maak het onderste gedeelte van de bekleding vast met de rits onder de zitting (B). Zorg er voor dat het klittenband naar beneden wijst
4. Til de beensteun op (E) zodat het klittenband onder de zitting (C) en onder de beensteun (C) kan worden vastgezet. Zorg dat de schuimdelen in de bekleding om het frame vallen
5. Plaats de beensteun naar beneden (E) en zorg dat het klittenband goed is bevestigd





### Accessoires

#### Ondersteuning van de romp

Volg onderstaande stappen om de rompondersteuning op de juiste wijze te plaatsen:

1. Bevestig de band met het klittenband aan de achterzijde van de rugleuning (A)
2. Plaats uw kind in de badzit en plaats band (B) om de romp
3. Sluit de band met zowel het klittenband als de gesp

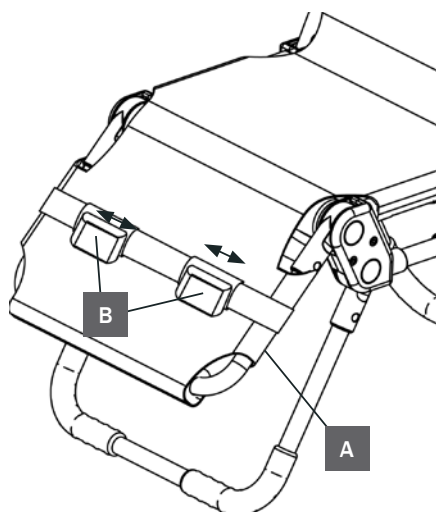
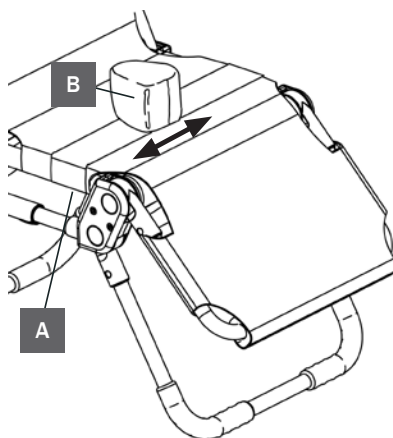
De ondersteuning van de romp is niet geschikt voor langdurige fixatie.

### Abductieklos

Volg onderstaande stappen om de abductieklos op de juiste wijze te plaatsen:

1. Bevestig de band met het klittenband onder de zitting (A)
2. Door de abductieklos van links naar rechts te schuiven kan de juiste positie worden bepaald (B)

De abductieklos is niet geschikt voor langdurige ondersteuning. Deze abductieklos is speciaal gemaakt voor gebruik in combinatie met de Manatee.



### Fixatie banden voor de benen

Volg onderstaande stappen om de fixatie banden op de juiste wijze te plaatsen:

1. Bevestig de band met het klittenband onder de beensteun (A)
2. Door de bandjes (B) van links naar rechts te schuiven kan de juiste positie worden bepaald. Zet de bandjes vast met het klittenband

De banden zijn niet geschikt voor langdurige fixatie. Deze banden zijn speciaal gemaakt voor gebruik in combinatie met de Manatee.

## DANSK

Tillykke med dit nye produkt fra R82 som leverer tekniske hjælpemidler til handicappede børn og teenagere i hele verden. For at få fuldt udbytte af de muligheder produktet tilbyder, anbefaler vi, at du læser denne User Guide omhyggeligt før brug og gemmer den til fremtidig reference.

### Formål

Manatee er en bade stol egnet til handicappede børn. Stolen er designet til at brugeren kan placeres i nøjagtig den rigtige siddeposition. Sædedybden kan justeres, så stolen vokser med barnet. Produktet er til indendørs brug i et badeværelse miljø.

Målgruppen for denne anordning er handicappede børn med spastisk lammelse. Børn med muskelsvind, rygmarsvbrø, rygmarsvsskader og neurologiske skader kan også bruge anordningen. Produktet er velegnet til børn med GMFCS niveau 3-5.



### Overensstemmelseserklæring

Dette produkt opfylder kravene i regulativet 2017/745, retningslinjer for medicinsk udstyr. CE-mærket skal fjernes ved ombygning af produktet, når det kombineres med et produkt fra en anden frabrikant eller ved anvendelse af andet end originale R82 reservedele og tilbehør. Dette produkt overholder endvidere kravene i henhold til:

- EN 12182
- ISO 17966



### Bortskaffelse

Når et produkt når slutningen af sin livscyklus, bør det skilles ad, så de forskellige materialetyper kan genanvendes eller bortskaffes korrekt. Kontakt din lokale forhandler, hvis der er behov for en præcis beskrivelse af hvert materiale. Kontakt venligst de lokale myndigheder for mulighederne om miljøvenlig genanvendelse eller bortskaffelse i dit område.

### Tilbehør og reservedele

Produkterne fra R82 kan forsynes med forskelligt tilbehør, som gør at produktet opfylder den enkelte brugers behov for støtte. Tilbehør og reservedele findes på vores hjemmeside, kontakt din lokale forhandler for yderligere information.

### R82 Garanti

R82 yder 2 års garanti mod fejl i materialer og fejl opstået ved fremstillingen af produktet, samt 5 års garanti på stelbrud forårsaget af defekte svejsninger i metalstellet. Garantien vil være under forbehold af kundens ansvar for at overholde serviceeftersyn og vedligehold af produktet med de intervaller, som foreskrives af leverandøren og/eller angivet i User Guide. For yderligere information henvises der til support.R82.org

Garantien ydes kun i det land hvor produktet er blevet købt, og hvis produktet kan identificeres ved hjælp af serienummeret. Garantien dækker ikke hændelig skade, herunder skade forårsaget af fejlagtig anvendelse eller forsømmelse. Garantien omfatter ikke forbrugsvarer f.eks. dæk eller polstring, som er genstand for normal slitage, og som skal udskiftes regelmæssig.

Garantien dækker ikke, hvis der er anvendt andet end originale dele/tilbehør, eller hvis produktet ikke er vedligeholdt, repareret eller ændret i henhold til retningslinjer og intervaller angivet af leverandøren og/eller i User Guide. R82 forbeholder sig ret til at undersøge produktet, som er genstand for reklamation og den relevante dokumentation, før reklamationen accepteres under garanti, samt bestemme hvorvidt reklamationen skal føre til erstatning eller reparation af produktet. Det er kundens ansvar at returnere det reklamerede produkt under garanti til den adresse, hvor det er blevet købt.

### Oplysninger om forsalg

- support.r82.org

## Sikkerhed

Skilte, symboler og instruktioner placeret på dette produkt må aldrig blive dækket eller fjernet, og skal være læselige i hele produktets levetid. Ulæselige eller beskadigede tegn, symboler og instruktioner skal straks erstattes eller reparereres. Kontakt din lokale forhandler for vejledning.

I tilfælde af at der opstår en negative hændelse i forbindelse med enheden rettes henvendelse til den lokale forhandler og den nationale kompetente myndighed på rettidig måde. Den lokale forhandler vil viderebringe informationen til producenten.

## Hjælper

- Denne User Guide bør læses omhyggeligt før brug og gemmes til fremtidig reference. Brugers sikkerhed kan afhænge af, at anvisningerne i denne vejledning følges og at produktet anvendes korrekt
- Dette produkt indeholder små dele som kan udgøre kvælningssfare hvis de fjernes fra deres tiltænkte placering
- Brug altid korrekt løfteteknik og hjælpemidler til formålet
- Efterlad aldrig brugeren i produktet uden opsyn. Sørg for konstant tilsyn fra en voksen
- Reparation/udskiftning må kun ske ved hjælp af nye originale R82 reservedele og tilbehør samt i overensstemmelse med leverandørens anvisninger
- Hvis der er tvivl om sikkerheden ved brug af dit R82 produkt, eller hvis dele skulle svigte, skal du omgående stoppe med at bruge produktet og kontakte din lokale forhandler

## Omgivelserne

- Check overfladetemperaturen på produktet, før du placerer en bruger i det. Dette gælder især for brugere med ufølsom hud, da de ikke kan mærke varmen. Hvis produktets overfladetemperaturen er over 41 ° C, så skal produktet køle af før brug

## Bruger

- Hvis brugeren er tæt på maks. belastningen og/eller har mange ufrivillige bevægelser f.eks. rokkende, bør et produkt med større maks. belastning, eller et andet R82 produkt overvejes.
- Hovedet af en bruger skal altid være inden for rammens top

## Produkt

- Efter enhver justering på produkt og tilbehør skal det sikres, at alle knapper, skruer og spændere er sikkerhedsmæssigt fastspændt før brug. Hold alle værktøjer utilgængelig for børn
- Stabiliteten af produktet skal sikres, før brugeren placeres i det
- Det bør jævnligt kontrolleres at begge lynlåse er lukket forsvarligt.
- Kontroller at alle knapper til justering falder på plads efter justering
- Sørg for at anti-skridd gummi altid er rent og virker til formålet

- Det skal jævnligt kontrolleres at velcroen på betræk, seler og tilbehør hæfter forsvarligt.
- De medfølgende seler samt tilbehørsdelene må ikke betragtes som længerevarende støtte, men som en ekstra hjælp ved placering af brugeren

## Service information

Vedligeholdelse af medicinsk udstyr påhviler helt og holdent ejeren af det pågældende produkt. Undladelse af at vedligeholde et produkt i henhold til vejledningen kan medføre, at garantien bortfalder. Desuden kan undladelse påvirke den kliniske tilstand eller sikkerhed for brugeren og/eller plejeren.

Hvis produktet er udsat for ledningsvand, der indeholder chlor, kan der forventes misfarvning af plast og stof.

### 1. dag

- Instruktionerne i denne User Guide bør læses omhyggeligt før brug og gemmes til fremtidig reference

### Efter brug

- Skyl produktet med vand for at fjerne rester fra sæbe og organisk materiale

### Dagligt

- Rengør anti-slip gummi med en klud med varmt vand og et mildt rengøringsmiddel og lad det tørre
- Visuel inspektion. Reparer eller udskift beskadigede eller slidte dele
- Tjek alle seler, veste og spændere for tegn på slitage. Udskift hvis nødvendigt
- Kontroller at alt udstyr er på plads og monteret korrekt
- Vær opmærksom på evt. MAX-mærker for justering

### Månedligt

- For at undgå fejl skal alle møtrikker og bolte på dette produkt kontrolleres og efterspændes
- Alle svingbare dele skal tilføjes smøremiddel. Vi anbefaler at bruge et professionelt smøremiddel

### Hver 6. måned

- Efterse stellet for synlige brud eller tegn på slitage. Brug aldrig et produkt, der viser tegn på fejl. Udfør årlig service

### Desinfektion

Produktet kan desinficeres med en desinficerende 70 % IPA-opløsning. Det anbefales at aftørre produktet



og fjerne eventuelle rester og snavs med en klud med varmt vand og et mildt rengøringsmiddel/sæbe uden klorin, og lad det tørre før desinficering.

Før desinfektion

Fjern de følgende dele og rengør dem separat: Betræk, Hynde(r) & Tilbehør

#### Vask

Betrækket kan vaskes ved maks. 50 °C, hvis der anvendes et mildt vaskemiddel i en vaskemaskine.

#### Vaskemaskine

Dette produkt kan vaskes i 10 minutter ved 60°, med et mildt rengørings- eller desinfektionsmiddel uden klor, i en maskine beregnet til medicinsk udstyr. Lad produktet tørre, før det bruges igen.

Dette produkt kan vaskes i 3 minutter ved 85°, med et mildt rengørings- eller desinfektionsmiddel uden klor, i en maskine beregnet til medicinsk udstyr. Lad produktet tørre, før det bruges igen.

#### Før vask

Fjern de følgende dele og rengør dem separat: Betræk, Hynde(r) & Tilbehør

#### Service interval

En detaljeret inspektion af produktet skal ske hver 12. måned (hver 6. måned for tunge brugere), samt hver gang produktet overdrages til en ny bruger. Inspektionen skal udføres af en teknisk kompetent person, der er uddannet i brugen af produktet.

Levetiden for dette produkt er 5 år ved normal brug og hvis al vedligeholdelse og service udføres i overensstemmelse med producentens anvisninger samt påviseligt registreres.

#### Service tjekliste:

Efterse og tilpas følgende funktioner i henhold til deres beregnede anvendelse. Reparer eller udskift beskadigede eller slidte dele. Følgende skal efterses:

- Ryglænet og benstøtten er indstil- og låsbar i position
- Lynlås(e) & Velcro
- Stolen kan foldes sammen/ud
- Møtrikker og bolte på produktet er spændt
- Produktet kontrolleres for revner eller tegn på slidte dele
- Alle mærkater på produktet er intakte

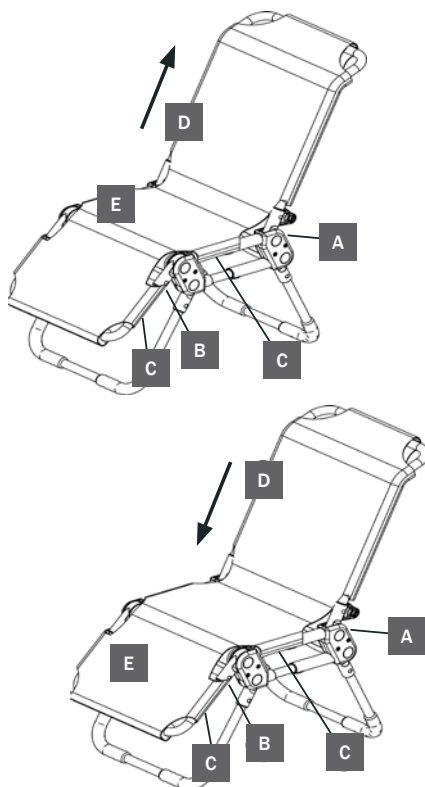
#### Af- og påmontering af betræk

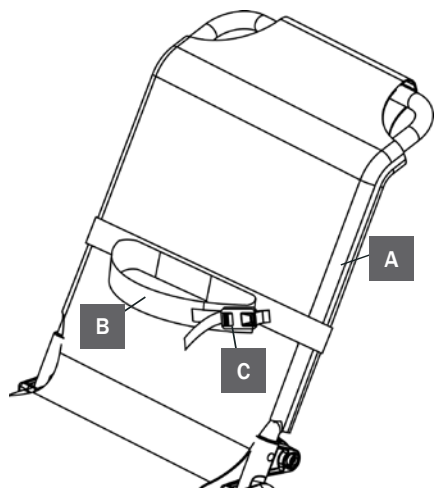
Følg nedenstående når betrækket skal afmonteres og vaskes:

1. Lynlåsene bagpå stolen (A) samt under stolen (B) åbnes
2. Velcroen under stolen (C) åbnes og betrækket trækkes op (D) og af stolen

Betrækket monteres på stolen på følgende måde

1. Betrækket trækkes ned over ryglænet (D). Sørg for at skumpuderne er placeret rundt om stellet
2. Lynlåsen bagpå stolen lukkes (A)
  - Det lille betræk monteres under stolen vha. lynlåsen (B). Sørg for at velcroen vender nedaf
3. Fodstykket vippes op (E) og velcroen under sædet (C) samt under fodstykket (C) lukkes. Sørg for at skumpuderne er placeret rundt om stellet
4. Fodstykket vippes ned igen (E) og det kontrolleres at velcroen hæfter





### Tilbehør

#### Kropssæle

Nedenstående følges for korrekt montering af kropssælen:

1. Sælen fastgøres bagpå ryggen vha. velcro (A)
2. Barnet placeres og sælen fastgøres omkring barnet (B)
3. Der fastgøres vha. velcro og snapspænde (C)

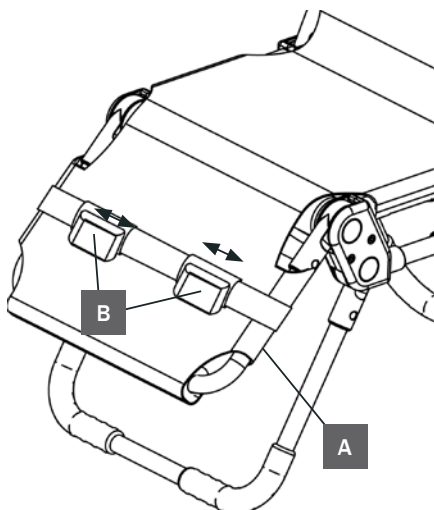
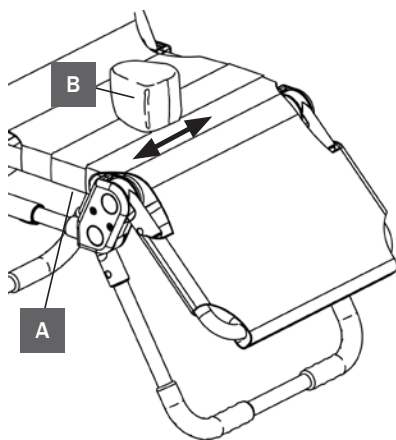
Kropssælen må ikke betragtes som længerevarende støtte, men som en ekstra hjælp ved placering af brugeren.

#### Abduktionsklods med sele

Nedenstående følges for korrekt montering af abduktionsklods med sele:

1. Sælen fastgøres under sædet vha. velcro (A)
2. Abduktionsklodsens (B) kan flyttes sideværts, så den optimale placering opnås

Abduktionsklodsens og sælen må ikke betragtes som længerevarende støtte, men som en ekstra hjælp ved placering af brugeren.



#### Sele for benkontrol

Nedenstående følges for korrekt montering af sele for benkontrol:

1. Sælen fastgøres under fodstykket vha. velcro (A)
2. Selerne (B) kan flyttes sideværts, så den optimale placering opnås. Der fastgøres med velcro

Selerne må ikke betragtes som længerevarende støtte, men som en ekstra hjælp ved placering af brugeren.

## NORSK

Gratulerer med kjøpet av ditt nye produkt fra R82, som leverer tekniske hjelpemidler til bevegelsehemmede barn og unge i store deler av verden. For å få fullt utbytte av mulighetene som tilbys av dette produktet, anbefaler vi at du leser denne User Guide før bruk og oppbevarer den for fremtidig referanse.

### Tiltenkt bruk

Manatee er en dusjstol for barn med funksjonsnedsettelse. Stolen er utformet for at brukeren skal kunne sitte i nøyaktig riktig stilling. Setedybden kan justeres slik at stolen kan vokse sammen med barnet. Produktet er ment for bruk i baderom innendørs.

Målgruppen for dette utstyret er barn med funksjonsnedsettelse med cerebral parese (CP). Utstyret kan også brukes av barn med muskeldystrofi, spina bifida, ryggmargsskader og nevrologiske svekkelser. Produktet er egnet for barn med GMFCS-nivå 3-5.



### Samsvarserklæring

Dette produktet samsvarer med kravene i forordningen for medisinsk utstyr (2017/745). CE-merket skal fjernes ved ombygging av produktet, hvis det brukes i kombinasjon med et produkt fra en annen produsent, eller ved bruk av andre reservedeler og utstyr enn originalt R82-utstyr. Dette produktet samsvarer også med kravene i:

- EN 12182
- ISO 17966



### Resirkuleringsinformasjon

Når et produkt skal kasseres, bør materialene inndeles etter type, slik at delene kan resirkuleres eller avhendes på en forskriftsmessig måte. Hvis nødvendig, ta kontakt med din lokale forhandler for en presis beskrivelse av hvert materiale. Ta kontakt med lokale myndigheter vedrørende muligheter for resirkulering, eller en annen miljøvennlig måte å avhende et brukt produkt på.

### Tilbehør og reservedeler

Produkter fra R82 kan leveres med en rekke tilbehør som tilfredsstiller den enkelte brukers behov. Reservedeler er tilgjengelige, og bestilles på kundens forespørsel. Finn det spesifikke tilbehør på vår hjemmeside, eller kontakt din lokale forhandler for ytterligere informasjon.

### R82 Garanti

R82 gir en 2 års garanti mot feil i utførelse og materialer og en 5 års garanti mot brudd i metallrammen som skyldes feil i sveisearbeidet. Garantien kan påvirkes negativt hvis kundens ansvar for å utføre service og/eller daglig vedlikehold ikke blir overholdt i samsvar med de retningslinjene og intervallene som er foreskrevet av leverandøren og/eller slik det framgår av User Guide. For ytterligere informasjon henviser vi til hjemmesiden for R82 under nedlastinger.

Garantien er bare gyldig i landet der produktet ble kjøpt, og hvis produktet kan identifiseres med serienummeret. Garantien dekker ikke tilfeldig skade, inkludert skade forårsaket ved feil bruk eller forsømmelse. Garantien omfatter ikke slitedeler f.eks. dekk eller polstring, som er utsatt for normal slitasje, og som skal skiftes regelmessig.

Garantien anses som ugyldig hvis andre enn originale deler/tilbehør er brukt, eller hvis produktet ikke har vært vedlikeholdt, reparert eller endret i samsvar med retningslinjene og intervallene som er foreskrevet av leverandøren og/eller oppgitt i User Guide. R82 forbeholder seg retten til å inspisere det produkt som det er kommet klage på, samt relevant dokumentasjon, før garantikravet aksepteres, og for å avgjøre om det defekte produktet kan bli erstattet eller reparert. Det er kundens ansvar å returnere varen som skal repareres i garantitiden til adressen hvor det er kjøpt.

### Informasjon før salg

- [Support.r82.org](http://Support.r82.org)

## Sikkerhet

Merker, symboler og instruksjoner som er plassert på dette produktet skal aldri tildekkes eller fjernes, og må være til stede og lett leselige i hele produktets levetid. Uleselige eller skadede merker, symboler og instruksjoner skal erstattes eller repareres umiddelbart. Kontakt din lokale forhandler for å få instruksjoner.

Hvis det skulle oppstå en negativ hendelse knyttet til enheten, skal hendelsen rapporteres til din lokale forhandler og de nasjonale kompetente myndighetene så raskt som mulig. Den lokale forhandleren vil videresende informasjonen til produsenten.

## Omsorgsperson

- Les bruksanvisningen nøye før bruk, og oppbevar den for fremtidig referanse. Feil bruk av dette produktet kan forårsake alvorlig skade på brukeren
- Dette produktet inneholder små deler som kan utgjøre kvelningsfare hvis de fjernes fra sin tiltenkte plassering
- Bruk alltid riktig løfteteknikk og hjelpemidler for formålet
- Forlat aldri brukeren uten tilsyn i dette produktet. Påse at brukeren har permanent tilsyn av en voksen
- Reoparasjon/utskifting må kun foretas ved hjelp av nye originale R82 reservedeler og beslag og utføres i samsvar med retningslinjene og serviceintervallene som er foreskrevet av leverandøren
- Hvis du er i tvil til om at produktet er trygt å bruke, eller om noen av delene skulle svikte, skal bruk av produktet opphøre umiddelbart. Kontakt din lokale forhandler så snart som mulig

## Miljø

- Kontroller overflatetemperaturen på produktet før brukeren plasseres i det. Dette gjelder spesielt brukere med ufølsom hud, fordi de ikke kan føle varmen. Hvis overflatetemperaturen er høyere enn 41 °C, må produktet kjøles ned før bruk

## Bruker

- Dersom brukerens vekt er nær anbefalt maks-vekt, og / eller har mange ukontrollerte bevegelser som f.eks. rokking, bør et produkt i en større størrelse med høyere maks-vekt, eller et annet R82 produkt, vurderes
- Brukerens hode skal alltid være innenfor toppen av rammen.

## Produkt

- Utfør alle posisjonelle justeringer på produkt og tilbehør, og sørg for at alle knotter, skruer og spenner er godt festet før bruk. Oppbevar alt verktøy utilgjengelig for barn
- Påse at stabiliteten av produktet opprettholdes før du plasserer brukeren i det
- Kontroller jevnlig at begge glielåsene er lukket forsvarlig.
- Kontroller at alle utløserknappene sitter på plass etter justering
- Kontroller at antisklitrekkene i gummi fungerer
- Kontroller jevnlig at borrelåsen på trekk, seler og tilbehør hefter forsvarlig
- De medfølgende selene og tilbehør er ikke ment som permanent støtte, men som ekstra hjelp ved plassering av brukeren.

## Serviceinformasjon

Vedlikehold av medisinsk utstyr er eierens ansvar. Hvis det er mangelfullt vedlikehold av produktet i henhold til bruksanvisningen, kan dette ugyldiggjøre garantier knyttet til produktet. Ytterligere unnlatelse av vedlikeholdet kan påvirke den kliniske tilstanden eller sikkerheten for brukere og / eller deres omsorgspersoner.

Hvis produktet utsettes for kranvann som inneholder klor, kan plast- og tekstildelene bli misfarget.

### 1. dag

- Les bruksanvisningen nøye før bruk og oppbevar den på et trygt sted for fremtidig referanse

### Etter hver bruk

- Skyll produktet med vann for å fjerne rester av såpe og organisk materiale

### Daglig

- Rengjør antisklitrekkene i gummi med en klut med varmt vann og et mildt vaskemiddel, og tørk av dem
- Visuell inspeksjon. Reparer eller bytt skadede eller slitte deler
- Kontroller alt utstyr og spenner for tegn på utslitte deler
- Pass på at alt utstyr er på plass og korrekt montert
- Vær oppmerksom på eventuelle MAX merker før justering

### Månedlig

- Alle muttere og bolter på dette produktet må kontrolleres og strammes for å unngå unødvendige feil
- De utsynbare delene skal oljes. Vi anbefaler å bruke et profesjonelt smøremiddel

### Hver 6. måned

- Kontroller rammen for synlige brudd eller tegn på slitasje. Bruk aldri et produkt som viser tegn på feil. Gjennomfør årlig service

### Desinfeksjon

Produktet kan desinfiseres med en 70 % desinfiserende IPA-løsning. Det anbefales å tørke av rester og smuss på produktet med en klut med varmt vann og mildt vaskemiddel/såpe uten klor, og la produktet tørke før bruk.

Før desinfeksjon

Fjern følgende deler og rengjør dem separat: Trek, Beskyttelsesputer & Tilbehør

### Vask

Trekket kan vaskes i vaskemaskin på maks 50 °C med et mildt vaskemiddel.

### Rengjøring

Dette produktet kan vaskes i 10 minutter på 60° i vaskemaskin beregnet for vask av medisinsk utstyr, ved bruk av mildt vaskemiddel eller desinfeksjonsmiddel uten klorin. Det er viktig å la utstyret tørke ordentlig før bruk.

Dette produktet kan vaskes i 3 minutter på 85° i vaskemaskin beregnet for vask av medisinsk utstyr, ved bruk av mildt vaskemiddel eller desinfeksjonsmiddel uten klorin. Det er viktig å la utstyret tørke ordentlig før bruk.

### Før vasking

Fjern følgende deler og rengjør dem separat: Trek, Beskyttelsesputer & Tilbehør

### Service-intervall

En grundig kontroll av produktet skal gjøres hver 12 måned (for tunge brukere: hver 6 måneder) og hver gang produktet tas i bruk på nytt. Kontrollen skal gjennomføres av en teknisk kompetent person som har fått opplæring i bruk av produktet. Kontakt din lokale leverandør for instruksjon om reparasjoner.

Produktets levetid ved normal bruk er 5 år, hvis alt vedlikehold og service utføres i henhold til produsentens anvisninger, og kan dokumenteres.

### Sjekkliste for service:

Kontroller og juster følgende funksjoner i henhold til deres tiltenkte bruk. Reparer eller skift ut skadede eller slitte deler. Kontroller:

- Ryggen og benstøtten er justerbare, og kan låses på plass
- Glidelås(er) & Borrelås
- Stolen kan legges sammen/felles ut
- Muttere og bolter på produktet er strammet
- Produktet for sprekker eller tegn på slitte deler
- Alle etikettene på produktet er intakte

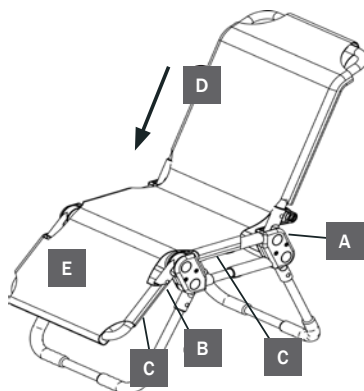
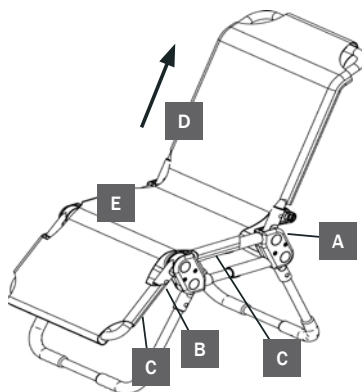
### Av- og påmontering av trekk

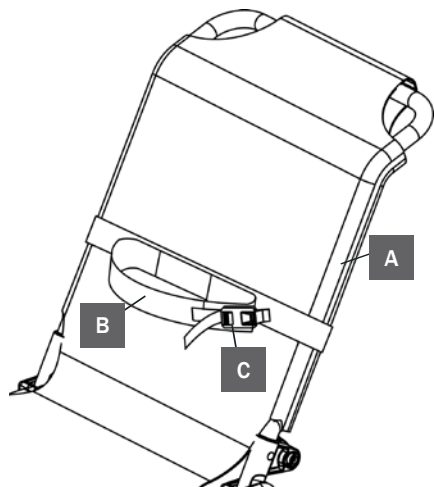
Gjør følgende når trekkes skal tas av:

1. Glidelåsene bak på stolen (A) og under stolen (B) åpnes
2. Borrelåsen under stolen (C) åpnes og trekket dras opp (D) og av stolen

Gjør følgende når trekkes skal settes på:

1. Dra trekket ned over ryggen (D). Påse at skumputene er plassert rundt rammen
2. Trekk opp glidelåsen på baksiden av stolen (A)
3. Det lille trekket monteres under stolen med glidelåsen (B). Sørg for at borrelåsen vender nedover
4. Bendelen vippes opp (E) og borrelåsen under setet (C), samt under bendelen (C), lukkes. Påse at skumputene er plassert rundt rammen
5. Bendelen vippes ned igjen (E) og sjekk at borrelåsen hefter





### Tilbehør

#### Kropssele

Gjør følgende for korrekt montering:

1. Selen festes bak på stolryggen med borrelåsen (A)
2. Barnet plasseres og selen legges rundt barnet (B)
3. Fest selen sammen med borrelås og beltespenne (C)

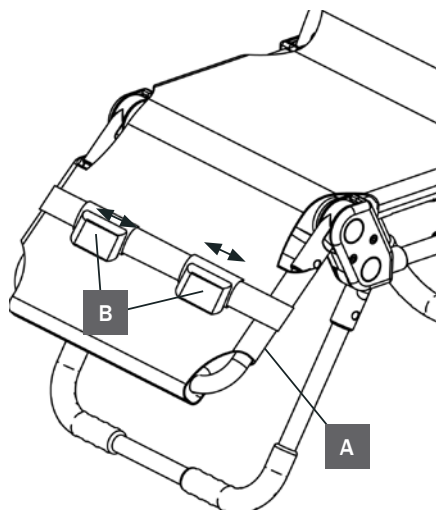
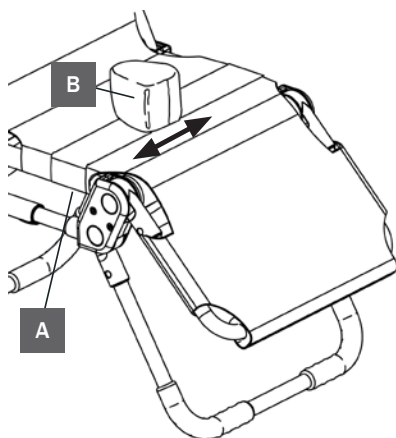
Kropsselel må ikke betraktes som langvarig støtte, men som en ekstra hjelp ved plassering av brukeren.

#### Abduksjonskloss med sele

Gjør følgende for korrekt montering:

1. Selen festes under setet med borrelåsen (A)
2. Abduksjonsklossen (B) kan flyttes sideveis, slik at optimal plassering oppnås

Abduksjonsklossen må ikke betraktes som langvarig støtte, men som en ekstra hjelp ved plassering av brukeren.



#### Leggbånd

Gjør følgende for korrekt montering:

1. Selen festes under bendelen med borrelåsen
2. Selene (B) kan flyttes sideveis, slik at optimal plassering oppnås. Festes med borrelås

Leggbåndet må ikke betraktes som langvarig støtte, men som en ekstra hjelp ved plassering av brukeren.

## SVENSKA

Grattis till ditt köp av en ny produkt från R82, en global leverantör av hjälpmedel för funktionsnedsatta barn och ungdomar. För att till fullo kunna dra nytta av alla funktioner som den här produkten har att erbjuda rekommenderar vi att du läser den här User Guide innan du börjar att använda produkten, och att du sparar den för att kunna återkomma till den senare.

### Avsett ändamål

Manatee är en duschstol som passar för barn med funktionshinder. Stolen är konstruerad för att placera brukaren i exakt rätt sittställning. Sitsdjupet kan justeras vilket gör att stolen kan växa i takt med att barnet gör det. Produkten är avsedd att användas i badrumsmiljöer inomhus.

Målgruppen för denna enhet är handikappade barn med cerebral pares (CP). Även barn med muskeldystrofi, spina bifida, ryggmärgsskador och neurologiska funktionsnedsättningar kan använda anordningen. Produkten är lämplig för barn med GMFCS-nivå 3-5.



### Deklaration om överensstämmelse

Denna produkt uppfyller kraven i förordningen för medicintekniska produkter (2017/745). CE-märkningen måste tas bort när produkten byggs om, används i kombination med produkter från en annan tillverkare eller vid användning av reservdelar och utrustning som inte är R82-originaldelar. Denna produkt uppfyller även kraven i:

- EN 12182
- ISO 17966



### Information om återvinning

En uttjänt produkt ska plockas isär och sorteras efter materialslag så att delarna kan återvinnas eller kasseras på rätt sätt. Du kan kontakta din lokala återförsäljare för en exakt beskrivning av varje material. Vänligen kontakta dina lokala myndigheter för information om möjligheterna för återvinning eller ett miljövänligt sätt att kasta använd produkt.

### Tillbehör och reservdelar

Det finns flera olika tillbehör till produkten från R82. Tillbehören är anpassade för varje brukares behov. Reservdelar kan fås på begäran. De specifika tillbehören finns på vår webbplats och du kan kontakta din lokala återförsäljare för ytterligare information.

### R82-garanti

R82 lämnar en 2-årsgaranti med avseende på brister som orsakats av tillverkningsfel eller bristfälligt material och en 5-årsgaranti när det gäller brott på metallramen orsakade av bristfälliga svetsfogar. Det kan ha en negativ inverkan på garantin om kunden underlåter att utföra erforderlig service och/eller dagligt underhåll i enlighet med riktlinjerna och föreskrivna intervall som anges av leverantören och/eller i User Guide. För mer information – se R82:s webbplats/nedladdning.

Garantin gäller endast i det land där produkten har köpts, och om produkten kan identifieras med ett serienummer. Garantin täcker inte skada genom olyckshändelse, inklusive skada orsakad av felaktig användning eller försummelser. Garantin omfattar inte förbrukningsartiklar, t.ex däck eller klädsel, som utsätts för normalt slitage och behöver bytas ut regelbundet.

Garantin blir ogiltig om andra delar än originaldelar används, eller om produkten inte har underhållits, reparerats eller ändrats i enlighet med riktlinjerna i våra instruktioner och enligt de intervaller som rekommenderas av leverantörerna och/eller anges i vår User Guide. R82 förbehåller sig rätten att granska både den produkt som garantianspråket gäller och relevant dokumentation innan garantianspråket godkänns, samt att avgöra om den defekta produkten ska repareras eller bytas ut. Kunden ansvarar för att returnera den produkt som garantianspråket avser till inköpsstället.

### Information om förhandsförsäljning

- [Support.r82.org](http://Support.r82.org)

## Säkerhet

Skyltar/etiketter, symboler och instruktioner på produkten får aldrig täckas över eller tas bort, utan måste förbli synliga och möjliga att läsa under hela produktens livslängd. Byt ut eller lappa ihop oläsliga eller skadade skyltar/etiketter, symboler och instruktioner omgående. Kontakta din lokala återförsäljare för instruktioner.

Om en biverkning uppstår i samband med produkten ska den utan dröjsmål rapporteras till den lokala återförsäljaren och den behöriga nationella myndigheten. Den lokala återförsäljaren kommer att vidarebefordra informationen till tillverkaren.

## Vårdare

- Läs igenom User Guide noggrant före användning och behåll dem för framtida behov. Om produkten används felaktigt kan brukaren skadas allvarligt
- Den här produkten innehåller små delar som kan utgöra en kvävningsrisk om de tas bort från deras avsedda plats
- Använd alltid korrekt lyftteknik och hjälpmedel som är lämpliga för ändamålet
- Lämna aldrig brukaren i produkten utan uppsikt. Se till att en vuxen har ständig uppsikt
- Vid reparation/byte av delar får endast nya originaldelar och originaltillbehör från R82 användas, och arbetet måste utföras i enlighet med de riktlinjer och intervall som föreskrivs av leverantören
- Avbryt användningen av produkten och kontakta din lokala återförsäljare så fort som möjligt om något inträffar som gör att din produkt från R82 inte känns säker eller om några delar går sönder

## Miljö

- Kontrollera hur varm produkten är på ytan innan brukaren placeras i den. Detta är särskilt viktigt för brukare med okänslig hud eftersom de inte känner värmen. Låt produkten svalna innan den används om ytan är varmare än 41 °C.

## Brukare

- Om brukarens vikt ligger nära produktens maxvärden och/eller om brukaren gör många ofrivilliga rörelser, t.ex. gungar, kan det vara lämpligt att i stället välja en större storlek, som klarar av högre belastning, eller en annan produkt från R82
- Brukarens huvud måste alltid vara placerat innanför ovansidan av ramen

## Produkt

- Gör alla lägesinställningar för produkten och tillbehören och kontrollera att alla vred, skruvar och spännen sitter fast ordentligt före användning. Förvara alla verktyg utom räckhåll för barn
- Kontrollera produktens stabilitet innan du placerar brukaren i den
- Kontrollera med jämna mellanrum att de båda blixtlåsen är ordentligt stängda
- Kontrollera att alla frigöringsknappar är på plats efter justering
- Se till att antihalk-gummiöverdragen fungerar
- Med jämna mellanrum måste en kontroll göras att kardborrebanden på klädsel, selar och tillbehör sitter ordentligt fast
- Medföljande selar och tillbehör får inte användas som långtidsstöd, utan är avsedda som hjälp när brukaren placeras i stolen

## Serviceinformation

Underhållet av en medicinteknisk produkt är helt ägarens ansvar. Om instruktionerna gällande underhåll inte följs kan detta göra att garantin upphör att gälla. Dessutom kan underlåtenhet att underhålla produkten äventyra det kliniska tillståndet eller säkerheten för brukare och/eller vårdare.

Om produkten utsätts för kranvatten som innehåller klor kan plast- och tygdelar bli missfärgade.

## Första dagen

- Läs igenom bruksanvisningen noggrant före användning och behåll den för framtida behov

## Efter varje användning

- Skölj produkten med vatten för att avlägsna tvålrester och organiskt material.

## Dagligen

- Rengör antihalk-gummiöverdragen med en trasa med varmt vatten och mildt rengöringsmedel och torka dem sedan torra
- Visuell inspektion. Reparera eller byt ut eventuella skadade eller utslitna delar
- Kontrollera att inga fästen och spännen är utslitna
- Se till att alla fästen sitter där de ska och har monterats på rätt sätt
- Observera eventuella MAX-markeringar innan justering

## Varje månad

- Alla muttrar och bultar på denna produkt måste kontrolleras och dras åt för att undvika onödiga fel
- Olja de svängbara delarna. Vi rekommenderar att du använder ett professionellt system för smörjning



### Var sjätte månad

- Kontrollera att ramen inte har några sprickor och utför punkterna på checklistan för service. Använd aldrig en produkt där något fel misstänks. Vänligen se checklistan för service

### Desinfektion

Produkten kan desinficeras med en 70 % isopropanollösning. Vi rekommenderar att man använder en trasa som doppats i varmt vatten med mildt rengöringsmedel/tvål utan blekmedel för att torka bort skräp och smuts. Låt torka före desinficering.

Före desinfektion

Ta bort följande delar och rengör dem separat: Överdrag, Stoppning & Tillbehör

### Tvättanvisningar

Överdraget kan tvättas i max. 50 °C med ett mildt tvättmedel i en tvättmaskin.

### Rengöring

Denna produkt kan tvättas i 10 minuter vid 60 ° i tvättmaskinen som är avsedda för att tvätta medicintekniska produkter, med ett mildt rengöringsmedel eller desinfektionsmedel utan klor. Det är viktigt att låta din utrustning torka ordentligt innan du använder.

Denna produkt kan tvättas i 3 minuter vid 85 ° i tvättmaskinen som är avsedda för att tvätta medicintekniska produkter, med ett mildt rengöringsmedel eller desinfektionsmedel utan klor. Det är viktigt att låta din utrustning torka ordentligt innan du använder.

### Före tvätt

Ta bort följande delar och rengör dem separat: Överdrag, Stoppning & Tillbehör

### Serviceintervall

En utförlig kontroll av produkten måste göras en gång om året (en gång i halvåret vid mer frekvent användning) och varje gång som produkten tas i bruk efter uppehåll. Kontrollen bör utföras av en tekniskt kunnig person som har utbildats i hur produkten används. Kontakta din hjälpmedelscentral för instruktioner om reparationer t ex arbete med punktering.

Livslängden för produkten vid normal användning är fem år om allt underhåll och all service registreras och utförs enligt tillverkarens anvisningar.

### Checklista för service:

Kontrollera och justera så att följande fungerar enligt avsedd användning. Reparera eller byt ut eventuella skadade eller utslitna delar. Kontrollera:

- Rygg- och benstöd är ställbara och kan låsas på plats
- Blixtlås & Kardborreband
- Stolen kan fällas ihop
- att produktens muttrar och bultar är åtdragna
- Att produkten inte har några sprickor eller utslitna delar
- att alla etiketter på produkten är oskadade

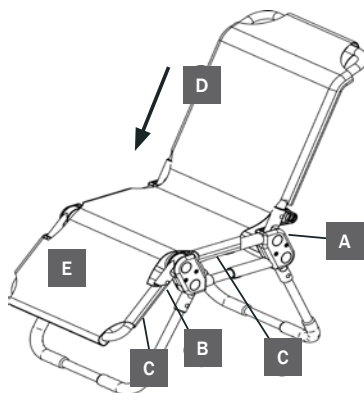
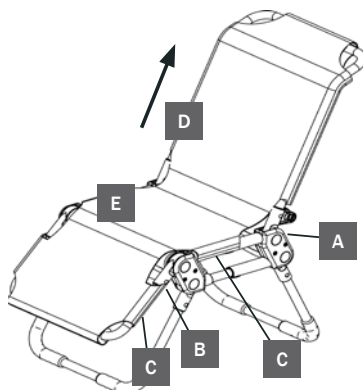
### Montering och demontering av klädsel

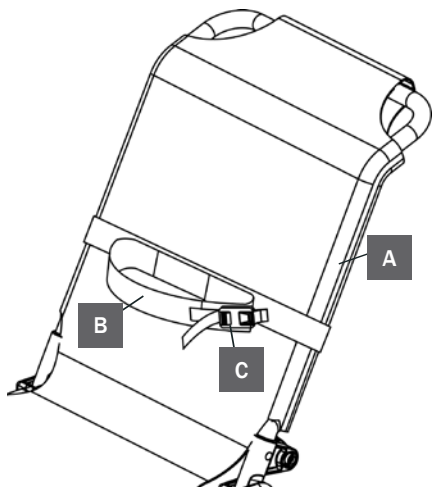
Gör så här när klädseln skall tas loss för tvätt

1. Öppna blixtlåsen på stolens baksida (A) och under stolen (B)
2. Lossa kardborrebandet under stolen (C) och dra loss klädseln uppåt (D)

Montera klädseln så här på stolen:

1. Dra ned klädseln över ryggstödet D. Se till att dynorna sitter på plats kring stolsramen
2. Stäng blixtlåsen på baksidan av stolen (A)
3. Den lilla delen fästs med blixtlåsen B under stolen. Det är viktigt att kardborrebandet är vänt nedåt
4. Fäll upp underbenstödet E och fixera kardborrebanden under sätet och under underbenstödet (C). Se till att dynorna sitter på plats kring stolsramen
5. Fäll ned underbenstödet E igen och kontrollera att kardborrebandet håller klädseln på plats





### Tillbehör

#### Bröstsele

Gör så här för att montera bröstsele:

1. Fäst selen på ryggstödet baksida med kardborrebandet A
2. Placera barnet i stolen och fäst selen B kring barnet
3. Fixera selen med kardborrebanden och spännet C

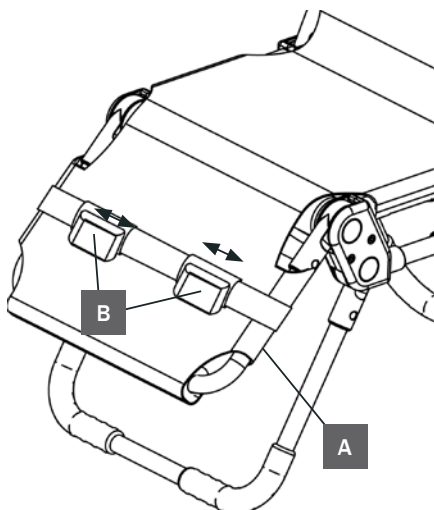
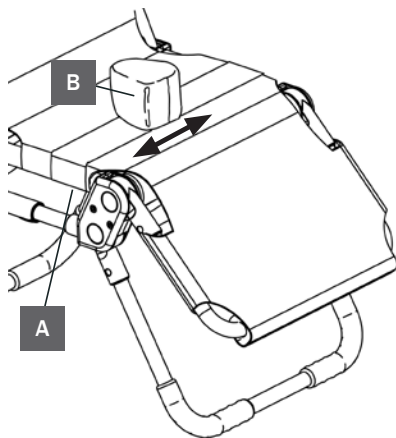
Kroppsselen får inte användas som långtidsstöd, utan är avsedd som hjälp när brukaren placeras i stolen.

#### Bendelare med sele

Gör så här för att montera bendelaren och dess sele:

1. Fäst selen på sitsens undersida med kardborrebandet A
2. Bendelaren B kan flyttas i sidled till optimalt läge

Bindelaren får inte användas som långtidsstöd, utan är avsedd som hjälp när brukaren placeras i stolen.



#### Bensele

Gör så här för att montera bensele:

1. Fäst selbandet på underbenstödet undersida med kardborrebandet A
2. Selarna B kan flyttas i sidled till optimalt läge. De fixeras med kardborreband

Selarna får inte användas som långtidsstöd, utan är avsedda som hjälp när brukaren placeras i stolen.

## SUOMI

Onnittelut uuden R82 tuotteen hankinnasta -maailmanlaajuiselta lasten ja nuorten teknisten apuvälineiden toimittajalta. Tämän käyttöohjeen tarkoituksena on auttaa käyttäjää apuvälineen oikeassa käytössä. Luekaa tämä User Guide ennen käyttöä ja pitäkää se tallessa tulevaa käyttöä varten.

### Käyttötarkoituksella

Manatee on kylpytuoli, joka sopii liikuntarajoitteisille lapsille. Tuoli on suunniteltu siten, että käyttäjä saadaan täsmälleen oikeaan istuma-asentoon. Istuimen syvyys on säädettävä, jotta tuoli voi kasvaa lapsen mukana. Tuote on tarkoitettu sisäkäyttöön kylpyhuoneessa.

Tämän laitteen käyttäjäryhmä ovat CP-vammaiset lapset. Laitetta voivat käyttää myös lapset, joilla on lihassurkastumatauti, selkärankahalkio, selkäydinvammoja ja neurologisia häiriöitä. Tuote soveltuu lapsille, joiden vamman GMFCS-luokituksen mukainen arvo on 3-5.



### CE-todistus

Tämä tuote on lääkinällisiä laitteita koskevan asetuksen (2017/745) vaatimusten mukainen. CE-merkintä on poistettava, jos tuote kootaan uudelleen, jos sitä käytetään yhdessä toisen valmistajan tuotteen kanssa tai jos käytetään muita kuin alkuperäisiä R82-varaosia tai -varusteita. Lisäksi tämä tuote on seuraavien vaatimusten mukainen:

- EN 12182
- ISO 17966



### Kierrätys

Tuotteen saavutettua lopullisen käyttöiän, materiaaliosat tulee erotella erikseen kierrätyksestä tai hävityksestä varten. Tarvittaessa ota yhteyttä paikalliseen myyjään varmistaaksesi oikean materiaalin. Ota yhteyttä lähimpään ympäristöpisteeseen, varmistaaksesi materiaalin oikean jätemääräysten mukaisen kierrätyksen.

### Lisävarusteet ja varaosat

R82 tuotteet voidaan toimittaa erilaisilla lisävarusteilla, vastaten käyttäjän yksilölliseen tarpeeseen. Varaosat ovat saatavilla tilauksesta. Erikoisvarusteet löytyvät nettisivustoltamme tai lisätietoja saa paikalliselta edustajalta.

### R82-takuu

R82 tarjoaa 2 vuoden takuun työn laadun ja materiaalivirheiden osalta ja 5 vuoden takuun hitsausliitospölvien aiheuttamien metallirungon murtumien osalta. Takuu vaarantuu, mikäli asiakkaan vastuuta huoltamisesta ja/tai päivittäisestä kunnossapidosta ei kanneta toimittajan määräämien ja/tai User Guide esitettyjen ohjeiden ja määräaikaisten mukaisesti. Lisätietojen osalta viittaamme R82:n kotisivuihin/latauksiin.

Takuu on voimassa vain tuotteen ostomaassa, jota varten se on valmistettu ja tuote voidaan tunnistaa sarjanumeron avulla. Takuu ei kata vahinkovaurioita, eikä väärinkäytön tai huolimattomuuden aiheuttamia vaurioita. Takuu ei kata kuluvia osia esim. renkaita tai verhoilua, jotka ovat alttiina normaaliille kulumiselle ja jotka on ajoittain vaihdettava uusiin.

Takuu raukeaa, jos käytetään muita kuin alkuperäisiä varaosia tai tarvikkeita, jos tuotetta ei ole pidetty kunnossa tai korjattu oikein tai jos tuotteeseen on tehty muita kuin valmistajan hyväksymä tai käyttöohjeessa kuvattuja muutoksia (User Guide). R82 varaa oikeuden tarkastaa takuuvaatimuksen kohteena oleva tuote ja asiaankuuluva dokumentaatio ennen takuuvaatimukseen suostumista ja tehdä päätös siitä, vaihdetaanko viallinen tuote uuteen vai korjataanko se. Takuuvaatimuksen kohteena olevan tuotteen palauttaminen ostopaikan osoitteeseen on asiakkaan vastuulla.

### Ennakkomyyntitietoja

- [Support.r82.org](http://Support.r82.org)

## Turvallisuus

Tuotteen merkkejä, symboleja ja ohjeita ei saa peittää tai siirtää, ja ne tulee olla selkeästi esillä ja luettavissa koko tuotteen käyttöajan ajan. Vaihda tai korjaa välittömästi epäselvät tai vahingoittuneet merkit, symbolit ja ohjeet. Ota yhteyttä paikalliseen edustajaan.

Mikäli laitteeseen liittyviä haittatapahtumia ilmenee, niistä on ilmoitettava paikalliselle jälleenmyyjälle ja kansalliselle toimivaltaiselle viranomaiselle mahdollisimman pian. Paikallinen jälleenmyyjä välittää tiedot valmistajalle.

## Vårdare

- Lukekaa kaikki ohjeet ennen käyttöä ja pitäkää ne tallessa tulevaa käyttöä varten. Tuotteen vääränlainen käyttö voi aiheuttaa käyttäjälle vakavan vamman
- Tämä tuote sisältää pieniä osia, jotka voivat aiheuttaa tukehtumisvaaran, jos ne irrotetaan paikoiltaan.
- Käytä aina tarkoitukseen sopivaa nostotekniikkaa ja apuvälinettä
- Lämna aldrig brukaren i produkten utan uppsikt. Se till att en vuxen har ständig uppsikt
- Korjauksissa/vaihdoissa saa käyttää ainoastaan R82 alkuperäisiä varaosia, ja säätäminen ja välien asetukset saadaan tehdä ainoastaan toimittajan ohjeistuksen mukaisesti
- Mikäli R82 tuotteessa on ongelma tai mikä tahansa osa on rikkoontunut, lopettakaa tuotteen käyttö heti ja ottakaa välittömästi yhteyttä paikalliseen edustajaan

## Ympäristö

- Tarkasta tuotteen pinnan lämpötila ennen käyttäjän asettamista siihen. Tämä koskee erityisesti käyttäjiä, joiden ihossa ei ole tuntoa, koska he eivät tunne kuumuutta. Jos pinnan lämpötila on yli 41 °C, anna tuotteen jäähtyä ennen käyttöä.

## Käyttäjä

- Jos käyttäjä on lähellä maksimiarvoja ja/tai hänellä on runsaasti hallitsemattomia liikkeitä esim. huojumista, tulee harkita suurempaa kokoa R82 tuotteesta
- Käyttäjän pään on oltava aina kehyksen yläosan sisällä.

## Tuote

- Tarkista ennen käyttöä, että kaikki kiinnitykset ja säädöt sekä osat ovat oikein ja paikoillaan. Pidä kaikki työkalut lasten ulottumattomissa
- Varmista tuotteen vakaus ennen kuin sijoitat lapsen apuvälineeseen
- Tarkista säännöllisesti, että vetoketjut ovat turvallisesti suljetut.
- Varmista, että kaikki vapautuspainikkeet sopivat paikoilleen säädön jälkeen
- Varmista, että luistamattomat kumisuojukset toimivat
- Tarkista päällinen, vyöt ja lisävarusteet ja varmista, että tarranauha kiinnittyy tukevasti
- Mukana seuraavia vöitä ja lisävarusteita ei voida käyttää pitkäaikaisena tukina, vaan ainoastaan lisäapuna käyttäjää tuoliin asetettaessa

## Huoltotietoja

Tämän lääkitäilaitteen kunnossapitovastuu on laitteen omistajalla. Laitteen ohjeistuksen mukaisen kunnossapidon laiminlyönti voi aiheuttaa takuun mitätöinnin. Lisäksi kunnossapidon laiminlyönti voi vaarantaa laitteen tai käyttäjän ja/tai huoltajan turvallisuutta.

Jos tuote alituu klooria sisältävälle hanavedelle, voidaan odottaa muovien ja kankaiden haalistuvan.

## 1.päivänä

- Lue käyttöohjeet huolellisesti ennen käyttöä ja säilytä ohjeet tulevaa käyttöä varten

## Jokaisen käytön jälkeen

- Poista saippuajäämät ja muut orgaanisen materiaalin jäämät huuhtelemalla tuote vedellä

## Päivittäin

- Puhdista luistamattomat kumisuojukset lämpimässä vedessä ja miedolla pesuaineella kostutetulla liinalla ja pyyhi ne kuiviksi
- Visuaalinen tarkastus. Korjaa/vaihda vaurioituneet tai kuluneet osat
- Tarkista kaikki säädöt ja soljet, ettei ole kulumisen merkkejä
- Huolehdi, että kaikki kiinnikkeet ovat paikoillaan ja kunnolla kiinni
- Tiedosta maksimimerkinnät ennen hienosäätöä

## Kuukausittain

- Kaikki ruuvit ja pultit tulee tarkistaa ja kiristää, jotta vältetään tarpeettomat vahingot
- Öljyä liikkuvat osat. Suosittelemme käyttämään ammattikäyttöön tarkoitettua voiteluöljyä

## 6 kuukauden välein

- Tarkasta rungon kunto halkeamien tai kulneiden osien osalta ja huolehdi vuosihuollosta. Älä koskaan käytä viallista tuotetta

### Desinfektion

Tuote voidaan desinfioida 70-prosenttisella IPA-desinfiointinesteellä. Suositeltavaa on pyyhkiä tuotteesta kaikki jäämät ja liat lämpimässä vedessä ja kloorittomassa miedossa pesuaineessa/ saippuassa kostutetulla liinalla ja antaa tuotteen kuivua ennen desinfiointia.

Ennen desinfektion

Irrota seuraavat osat ja puhdista ne erikseen: Päällinen, Pehmusteet & Lisävarusteet

### Peseminen

Päällinen voidaan pestä koneessa enintään 50 asteessa käyttäen mietoa pesuainetta.

### Tuotteen konepesu

Tämä tuote voidaan pestä 60° 10 minuuttia käyttäen mietoa pesuainetta tai desinfioida ilman klooria pesulaitteessa, joka on suunniteltu lääkinällisten laitteiden pesemiseen. Anna tuotteen kuivua ennen uudelleenkäyttöä.

Tämä tuote voidaan pestä 85° 3 minuuttia käyttäen mietoa pesuainetta tai desinfioida ilman klooria pesulaitteessa, joka on suunniteltu lääkinällisten laitteiden pesemiseen. Anna tuotteen kuivua ennen uudelleenkäyttöä.

### Ennen pesua

Irrota seuraavat osat ja puhdista ne erikseen: Päällinen, Pehmusteet & Lisävarusteet

### Huoltoväli

Tuotteen yksityiskohtainen tarkastus on tehtävä joka 12 kuukausi (kovassa käytössä oleva tuote- joka 6 kuukausi) ja joka kerta kun tuote on otettu uudelleenkäyttöön. Tarkastuksen tulee tehdä valtuutettu huoltohenkilö. Ota yhteys paikalliseen jälleenmyyjään saadaksesi korjausohjeita.

Tämän tuotteen kestoikä on 5 vuotta normaalikäytössä, jos kaikki kunnossapito- ja huoltotoimet on tehty toimittajan ohjeiden ja ohjeistuksen mukaisesti.

### Tarkistuslista huoltoa varten:

Tarkista ja säädä seuraavat toiminnot käyttötarkoituksen mukaan. Korjaa tai vaihda kaikki vaurioituneet tai loppuun kuluneet osat. Tarkista

- Selkänöja ja jalkatuki ovat säädettäviä, ja ne voidaan lukita paikalleen.
- Vetoketju(t) & Tarranauha
- Tuolin voi taittaa kokoon/auki.
- että tuotteen mutterit ja pultit on kiristetty kunnolla
- tuote naarmujen tai kulumisen merkkien varalta
- että tuotteen kaikki tarrat ovat ehjiä

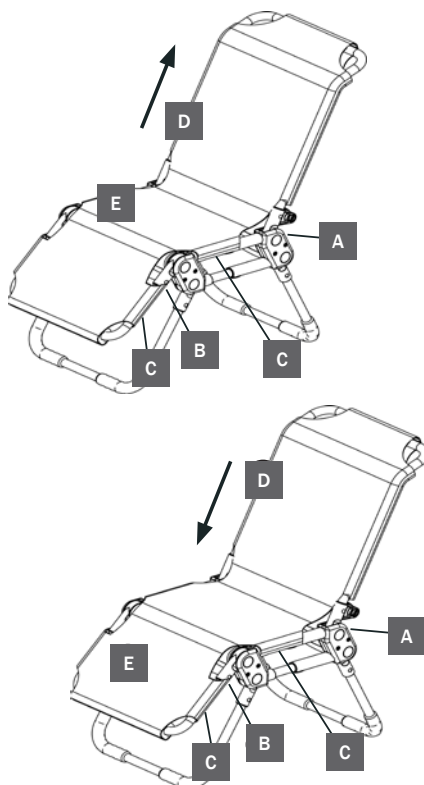
### Päällisen irrottaminen ja asentaminen

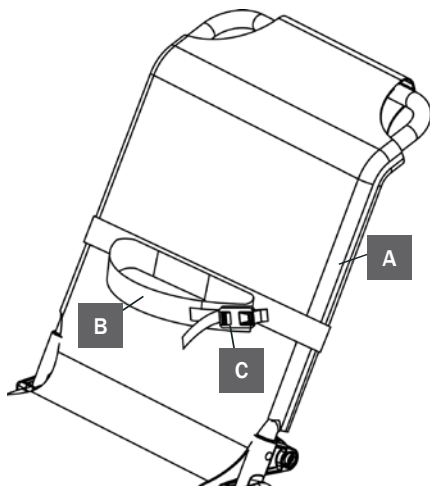
Noudata alla olevaa ohjetta, kun päällinen on irrotettava ja pestävä:

1. Avaa päällisen vetoketju selkänöjan takaa (A) ja istuimen alta (B)
2. Avaa tarranauha istuimen alta (C) ja päällinen voidaan vetää ylös (D) ja pois tuolista

Noudata alla olevaa kuvausta päällisen asentamiseksi uudelleen tuoliin:

1. Aseta päällinen selkänöjan päälle ja vedä alas (D). Varmista, että päällisessä olevat pehmustetyynyt tulevat kehyyksen ympärille
2. Sulje päällinen tuolin takaa (A) vetoketjulla
3. Asenna pieni vetoketjun suojakappale tuolin alle (B). Varmista, että tarranauha osoittaa alaspäin
4. Kallista säärätukea (E) ja istuimen (C) alla oleva ja säärätuen alla (C) oleva tarranauha voidaan sulkea. Varmista, että päällisessä olevat pehmustetyynyt tulevat kehyyksen ympärille
5. Käännä säärätukea (E) alas ja varmista, että tarranauha on kiinnitetty oikein





## Lisävarusteet

### Vartalo-tuki

Noudata alla olevaa kuvausta vartalotuen asentamiseksi oikealla tavalla:

1. Kiinnitä hihna tarranauhalla selkänöjan (A) ympäri
2. Aseta käyttäjä tuoliin. Asenna hihna (B) vartalon ympäri
3. Kiristä vartalo-tuki tarranauhalla ja soljella (C)

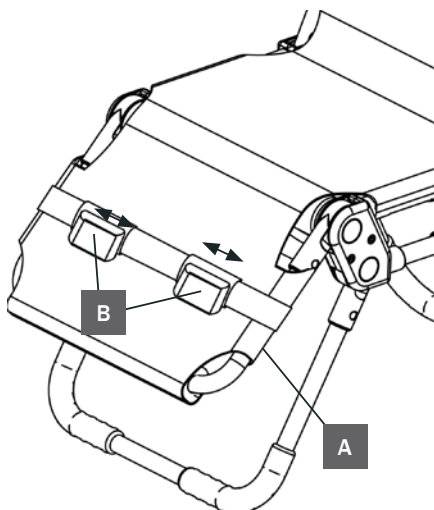
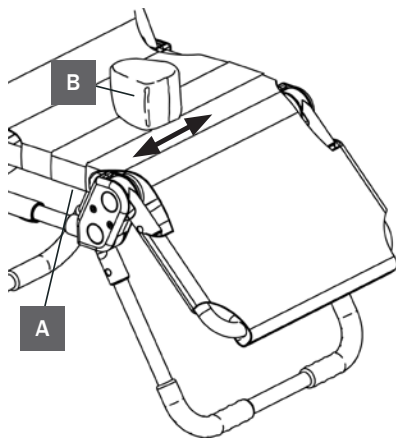
Vartalo-tukea ei saa käyttää pitkäaikaisena tukena. Tuki on suunniteltu ainoastaan helpottamaan lapsen sijoittamista tuoliin

### Haarakiila hihnalla

Noudata alla olevia ohjeita haarakiilan ja hihnan asentamiseksi oikealla tavalla:

1. Kiinnitä hihna tarranauhalla istuimen alle (A)
2. Säädä haarakiilaa (B) sivuttaissuunnassa optimaalisen kohdan löytämiseksi

Haarakiilaa hihnalla ei saa käyttää pitkäaikaisena tukena. Tuki on suunniteltu ainoastaan helpottamaan lapsen sijoittamista tuoliin.



### Hihnat säärten tukemiseksi.

Noudata alla olevaa kuvausta hihnojen asentamiseksi oikealla tavalla:

1. Kiinnitä hihna tarranauhalla säärätuen alle (A)
2. Säädä hihnoja (B) sivuttaissuunnassa optimaalisen kohdan löytämiseksi. Kiristä tarranauhalla

Hihnoja ei saa käyttää pitkäaikaisena tukena. Tuki on suunniteltu ainoastaan helpottamaan lapsen sijoittamista tuoliin.

## ESPAÑOL

Agradecemos que haya elegido un nuevo producto de R82 – un proveedor mundial en ayudas y aparatos técnicos para niños y jóvenes con necesidades especiales. Para sacar el máximo partido de todas las opciones que ofrece este producto, lea este User Guide antes de usarlo y guárdelo para futuras referencias.

### Finalidad prevista

La Manatee es una silla de baño apta para niños con discapacidad. Esta silla se ha diseñado para sentar al usuario justo en la postura correcta. La profundidad del asiento puede ajustarse para que la silla «crezca» con el niño. El producto se ha previsto para su uso en cuartos de baño.

El grupo objetivo para este dispositivo son niños discapacitados con parálisis cerebral (PC). Asimismo, también podrán utilizarlo niños con distrofia muscular, espina bífida, lesiones de la médula espinal y disfunciones neurológicas. El producto es apto para niños con un grado III-V según el Sistema de Clasificación de la Función Motora Gruesa (GMFCS).



### Declaración de Conformidad

Este producto cumple los requisitos de la Regulación sobre los productos sanitarios (2017/745). El marcado CE deberá retirarse si el producto se reconstruye, si se utiliza junto con un producto de otro fabricante o si se utilizan piezas de recambio o accesorios distintos a los originales de R82. Además, este producto cumple los requisitos conforme a:

- EN 12182
- ISO 17966



### Desecho y reciclaje

Cuando este producto llegue al término de su vida útil, deben de separarse las partes del mismo según el tipo de material para poder ser reciclados o desechados correctamente. Si es necesario, póngase en contacto con su distribuidor local para obtener una descripción exacta de cada material. Para obtener información acerca de cómo reciclar su producto de manera respetuosa con el medio ambiente, por favor, contacte con las autoridades locales.

### Accesorios y recambios

Los productos de R82 pueden ser suministrados con una variedad de accesorios que se ajusten a las necesidades individuales de cada usuario. Las piezas de repuesto se pueden pedir por encargo. Puede encontrar accesorios específicos en nuestra página web o contactar con su distribuidor local para más información.

### Garantía R82

R82 ofrece una garantía de 2 años contra los defectos de fabricación y de los materiales y una garantía de cinco años en caso de rotura del bastidor metálico por causa de defectos en la soldadura. La garantía no será válida si el cliente no cumple con la responsabilidad de llevar a cabo los servicios de reparación y/o mantenimiento diario de acuerdo con las directrices y los intervalos prescritos por el proveedor y/o tal y como se indica en el User Guide.

Encontrará más información para descargar en la página de inicio de R82.

La garantía solo se concede en el país donde se adquirió el producto, y si el producto puede ser identificado por el número de serie. La garantía no cubre los daños accidentales, incluyendo los daños ocasionados por el mal uso o negligencia. La garantía no se extiende en los artículos de consumo como los neumáticos o la tapicería, que están sujetos a un desgaste normal y necesitan ser reemplazados periódicamente.

La garantía perderá su validez y quedará anulada si emplean piezas/accesorios no originales de R82 o si el producto no se mantiene, repara o modifica del modo indicado en las instrucciones y con la frecuencia indicada por el proveedor y/o en la User Guide. R82 se reserva el derecho de inspeccionar el producto reclamado y de la documentación pertinente antes de aceptar la reclamación de la garantía, para decidir sobre si es necesario reparar el producto defectuoso. Es responsabilidad del cliente retomar el artículo por el que se reclama la garantía a la dirección de la compra.

### Información preventiva

- [Support.R82.org](http://Support.R82.org)

### Seguridad

Los signos, símbolos e instrucciones colocados en este producto no deben ser cubiertos o retirados y deben permanecer presentes y fácilmente legibles a lo largo de toda la vida útil del producto. Reemplace o repare de inmediato los signos ilegibles o dañados, los símbolos y las instrucciones. Póngase en contacto con su distribuidor local para obtener instrucciones.

Si se ha producido un evento adverso con el dispositivo, deberá ser comunicado a su distribuidor local y a la autoridad nacional competente de la manera oportuna. El distribuidor local remitirá la información al fabricante.

### Cuidador

- Lea atentamente todas las instrucciones e User guide antes de usar el producto y consérvelas para futuras referencias. El uso incorrecto de este producto puede causar lesiones graves al usuario
- Este producto contiene piezas pequeñas que podrían presentar riesgo de asfixia si se retiran del lugar donde están instaladas.
- Use siempre las técnicas correctas de levantamiento y las ayudas para este fin
- Nunca desatienda al usuario de este producto. Garantice la permanente supervisión de un adulto
- Las reparaciones y los recambios sólo deben hacerse con piezas nuevas y originales de

repuesto y accesorios de R82 y de acuerdo con las directrices y los intervalos de mantenimiento prescritos por el proveedor

- Si tiene alguna duda sobre la continuación del uso seguro del producto de R82 o si alguna pieza falla, deje de usar el producto de inmediato y contacte con su distribuidor local tan pronto como sea posible

#### Medio ambiente

- Observe la temperatura de la superficie del producto antes de colocar a un usuario en él. Este factor se debe tener especialmente en cuenta para usuarios con insensibilidad cutánea, dado que no pueden sentir el calor. Si la temperatura de la superficie es superior a 41 °C, deje que el producto se enfríe antes de utilizarlo.

#### Usuario

- Si el usuario está cerca del límite de carga máximo y/o tiene muchos movimientos involuntarios, p.e. balanceos, será conveniente considerar otro producto de R82 con un tamaño más grande y un máximo superior
- En contacto con agua del grifo que contenga cloro, es previsible que se produzca una decoloración de los plásticos y el tejido del producto.

#### Producto

- Realice todos los ajustes de posicionamiento del producto y los accesorios y asegúrese que todos los tiradores, tornillos y hebillas quedan bien sujetos antes de su uso. Mantenga todas las herramientas fuera del alcance de los niños
- Asegúrese de la estabilidad del producto antes de colocar al usuario en el mismo
- Compruebe regularmente que los cierres (A) y (B) están correctamente abrochados
- Compruebe que todos los botones de liberación encajen en sus posiciones después del ajuste.
- Asegúrese de que las fundas de goma antideslizantes sean funcionales.
- Compruebe la funda, las correas y los accesorios, y asegúrese de que el velcro se fija de forma segura
- Las correas y accesorios adjuntos no deben emplearse como soportes permanentes, sino que deben emplearse exclusivamente como un medio de ayuda adicional para colocar al usuario

#### Información de mantenimiento

El mantenimiento de un dispositivo médico es responsabilidad total del propietario de ese dispositivo. En caso de no mantener un dispositivo de acuerdo con las instrucciones la garantía del mismo puede quedar invalidada. Además, la falta de mantenimiento de un dispositivo puede poner en peligro el estado clínico o la seguridad de los usuarios y/o de sus cuidadores.

En contacto con agua del grifo que contenga cloro, es previsible que se produzca una decoloración de los plásticos y el tejido del producto.

#### 1r Día

- Lea la Guía del usuario detenidamente antes de usar el producto y guárdela en un lugar seguro para futuras consultas

#### Después de cada uso

- Enjuague el producto con agua para eliminar los restos de jabón y de materia orgánica

#### Diariamente

- Limpie las fundas de goma antideslizantes utilizando un paño con agua caliente y un detergente suave, y séquelas con otro paño.
- Inspeccione visualmente el producto y repare o reemplace las piezas dañadas o desgastadas del mismo
- Asegúrese de que todas las piezas estén en su lugar y colocadas correctamente
- Asegúrese de que todas las piezas estén en su lugar y colocadas correctamente
- Preste atención a cualquier indicio de marca máxima antes de la revisión

#### Mensualmente

- Todas las tuercas y los pernos de este producto deben ser revisados y ajustados para evitar fallos
- Lubrique las piezas de distancia basculante. Le recomendamos que utilice un sistema de lubricación profesional

#### Cada 6 meses

- Inspeccione el marco de las grietas o signos de desgaste de las piezas y realice el servicio de mantenimiento anual. Nunca utilice un producto que parezca deficiente o defectuoso

#### Desinfección

El producto, puede desinfectarse con una solución de alcohol isopropílico desinfectante al 70 %. Se recomienda eliminar cualquier residuo o suciedad del producto utilizando un paño humedecido en agua caliente y un jabón/detergente suave sin cloro. Seque el producto antes de desinfectarlo.

#### Antes del desinfección

Desmunte los elementos siguientes y límpielos por separado: Funda, Almohadillas & Accesorios



### Lavado

La funda se puede lavar a una temperatura máxima de 50°C con un detergente suave en la lavadora.

### Lavado a máquina

Éste producto puede lavarse de 10 minutos a una temperatura máxima de 60° en una máquina especialmente diseñada para dispositivos médicos, utilizando un detergente suave o un desinfectante sin cloro. Por favor, compruebe que el producto esté completamente seco antes de volver a utilizarlo.

Éste producto puede lavarse de 3 minutos a una temperatura máxima de 85° en una máquina especialmente diseñada para dispositivos médicos, utilizando un detergente suave o un desinfectante sin cloro. Por favor, compruebe que el producto esté completamente seco antes de volver a utilizarlo.

### Antes del lavado

Desmonte los elementos siguientes y límpielos por separado: Funda, Almohadillas & Accesorios

### Revisiones de Mantenimiento

Debe realizarse una inspección detallada del producto cada 12 meses (cada 6 meses para los usos intensivos) y cada vez que se vuelve a restaurar el producto para su uso. La inspección debe ser realizada por una persona técnicamente competente que haya sido entrenada en el uso del producto.

Póngase en contacto con su distribuidor para obtener instrucciones sobre reparaciones. La vida útil de este producto en su uso normal es de 5 años si todo el mantenimiento y las reparaciones se llevan a cabo de acuerdo con las instrucciones del fabricante y demostraciones registradas.

### Lista de comprobación de mantenimiento:

Revise y ajuste las funciones siguientes según su uso previsto. Repare o sustituya cualquier pieza dañada o gastada. Recuerde comprobar los puntos siguientes:

- El respaldo y el reposapiernas son ajustables y pueden bloquearse en una posición
- Cremallera(s) & Velcro
- La silla puede plegarse/desplegarse
- Las tuercas y los pernos del producto están apretados.
- El producto no presenta agrietamientos ni signos de desgaste.
- Todas las etiquetas del producto están en perfecto estado.

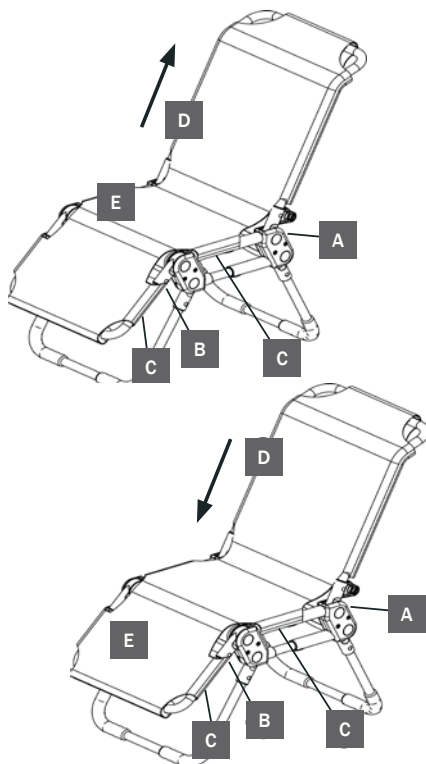
### Desmontaje y montaje de la funda

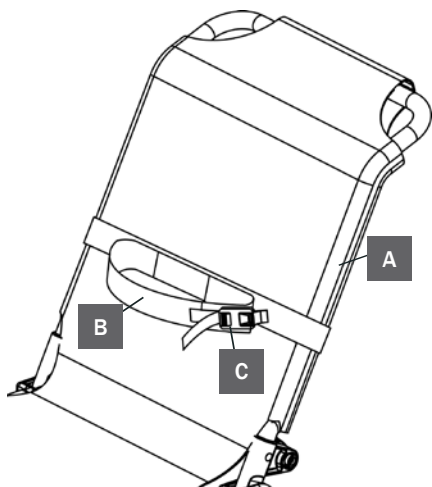
Siga las siguientes indicaciones cuando tenga que desmontar la funda para lavarla:

1. Desabroche la funda por la parte de atrás (A) y por debajo del asiento (B)
2. Abra el velcro que hay por debajo de la silla (C) y podrá tirar de la funda (D) para sacarla de la silla

Siga las siguientes indicaciones para volver a poner la funda en la silla:

1. Coloque la funda sobre el respaldo y tire hacia abajo (D). Asegúrese de que los cojines de espuma que hay en la funda quedan colocados alrededor del chasis
2. Abroche la funda por la parte trasera de la silla (A)
3. Monte la pequeña pieza de la funda con el cierre por debajo de la silla (B). Asegúrese que el velcro queda orientado hacia abajo.
4. Eleve el reposapiernas (E) para cerrar el velcro que hay por debajo del asiento (C) y por debajo del reposapiernas (C). Asegúrese de que los cojines de espuma que hay en la funda quedan colocados alrededor del chasis.
5. Baje el reposapiernas (E) y asegúrese de que el velcro ha quedado correctamente abrochado.





## Accesorios

### Cincha para el tronco

Siga las siguientes indicaciones para montar la cincha para el tronco del modo correcto:

1. Sujete la correa con velcro alrededor del respaldo (A)
2. Siente al usuario en la Manatee. Pase la correa (B) alrededor del cuerpo del usuario
3. Apriete la cincha para el tronco con el velcro y la hebilla (C)

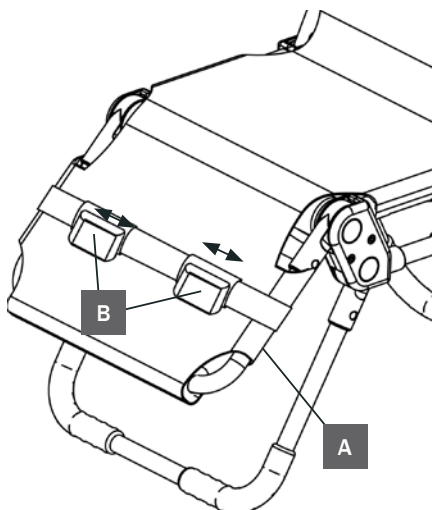
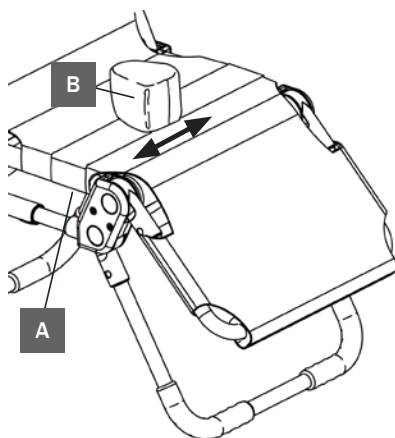
La cincha para el tronco no debe utilizarse como soporte permanente. Este soporte se ha diseñado exclusivamente para facilitar la colocación del usuario en la silla.

### Aco abductor con correa

Siga las siguientes indicaciones para montar el taco abductor y la correa del modo correcto:

1. Sujete la correa con velcro por debajo del asiento (A)
2. Ajuste el taco abductor (B) lateralmente hasta la posición óptima

El taco abductor con la correa no debe utilizarse como soporte permanente. Este soporte se ha diseñado exclusivamente para facilitar la colocación del usuario en la silla.



### Correas para control de piernas

Siga las siguientes indicaciones para montar las correas para controlar las piernas del modo correcto:

1. Sujete la correa con velcro por debajo del reposapiernas (A).
2. Ajuste las correas (B) lateralmente hasta la posición óptima. Sujételas con el velcro.

Las correas no deben utilizarse como soporte permanente. Este soporte se ha diseñado exclusivamente para facilitar la colocación del usuario en la silla.

## FRANÇAIS

Félicitations pour l'acquisition de votre nouveau produit R82- fabricant mondial reconnu pour ses solutions techniques d'aides et matériel destiné aux enfants et adolescents handicapés. Afin de bénéficier pleinement des possibilités offertes par ce produit, il est recommandé de lire attentivement cette User Guide avant utilisation et de la conserver comme référence.

### Destination

Le Manatee est une chaise de bain destinée aux enfants souffrant d'un handicap. Cette chaise est conçue pour placer précisément l'utilisateur dans la bonne position assise. La profondeur du siège est réglable, ce qui permet à l'enfant de grandir avec la chaise. Ce produit est destiné à une utilisation en intérieur, dans les salles de bains.

Ce dispositif cible les enfants handicapés qui souffrent d'infirmité motrice cérébrale. En outre, il est également adapté aux enfants atteints de dystrophie musculaire, de spina-bifida, de lésions de la moelle épinière et de troubles neurologiques. Ce produit convient également aux enfants caractérisés par une infirmité motrice d'origine cérébrale de niveau III à V.



### Déclaration de Conformité

Ce produit est conforme aux exigences du règlement sur les dispositifs médicaux (2017/745). Le marquage CE doit être retiré si le produit est modifié, ou s'il est utilisé en combinaison avec un produit d'un autre fabricant ou avec des pièces de rechange et accessoires autres que ceux d'origine R82. En outre, ce produit est conforme aux exigences en vertu de :

- EN 12182
- ISO 17966



### Information concernant le recyclage

Lorsqu'un produit a atteint sa fin de vie, il doit être démantelé par type de matériau constituant, afin que chaque partie soit recyclée ou correctement jetée. Si nécessaire, contacter votre revendeur afin d'avoir des précisions sur chaque matériau constituant. Pour toute information sur le recyclage ou la mise au rebut de ce produit, contacter le service de la mairie compétent, et/ou le service local d'élimination des déchets.

### Accessoires et pièces détachées

Les appareils R82 peuvent être fournis avec une grande variété d'accessoires à choisir en fonction des besoins individuels des utilisateurs. Les pièces détachées sont disponibles sur commande. Pour toute commande d'accessoire spécifiques, ou demande d'information, contacter votre revendeur.

### Garantie R82

R82 offre une garantie de deux ans contre les défauts de fabrication et de matériaux ainsi qu'une garantie de 5 ans sur la rupture du cadre en métal provoquée par des défauts au niveau des soudures. La garantie peut être rendue caduque si la responsabilité du client consistant en un entretien et/ou une maintenance quotidienne n'est pas exécutée conformément aux instructions et aux

intervalles prescrits par le fournisseur et/ou indiqués dans le User Guide. Pour plus d'informations, nous nous reportons à R82 homepage/download (page d'accueil R82/téléchargement).

La garantie est uniquement applicable dans le pays où le produit a été acheté et s'il peut être identifié par le numéro de série. La garantie ne couvre pas les avaries accidentelles, notamment celles provoquées par une mauvaise utilisation ou par négligence. La garantie ne s'étend pas aux pièces d'usure comme les pneus ou bien le revêtement du produit qui soumis à une utilisation normale doivent être changés régulièrement.

La garantie est nulle est non avenue si des pièces/accessoires non d'origine sont utilisés, ou si le produit n'a pas été entretenu, réparé ou modifié conformément aux instructions et aux intervalles précisés par le fournisseur et/ou indiqués dans le User Guide. R82 se réserve le droit d'inspecter le produit, objet d'une réclamation, ainsi que de s'informer sur les conditions d'utilisation de ce dernier, avant d'agréer une prise en charge sous garantie et de décider s'il convient de remplacer ou réparer le produit défectueux. Il incombe au client de retourner l'article sur lequel porte la garantie à l'adresse d'achat. La garantie est fournie par R82 ou ultérieurement par un distributeur R82.

### Informations relatives à la prévente:

- Support.r82.org

### Sécurité

Les pictogrammes et les symboles, indiqués sur ce produit ne doivent en aucun cas être masqués ou retirés et doivent restés présents et clairement lisibles durant toute la durée de vie du produit. Ces symboles ou instructions doivent être immédiatement remplacés en cas de destruction ou d'illisibilité. Contacter votre distributeur local pour toute information.

En cas d'événement indésirable associé au dispositif, tout incident doit être rapporté rapidement à votre revendeur et à l'autorité nationale compétente. Votre revendeur transmettra l'information au fabricant.

### Accompagnant

- Lire soigneusement la notice d'utilisation (NU) avant utilisation et la ranger dans un endroit sécurisé pour s'y référer ultérieurement
- Ce produit contient des petites pièces qui, si elles sont détachées de leur emplacement, peuvent constituer un risque de suffocation.
- Toujours utiliser des aides et techniques de transfert adéquates
- Ne jamais laisser un usager de ce produit sans surveillance. S'assurer d'une supervision permanente par un adulte

- Les réparations et remplacements de pièces doivent être faits uniquement avec pièces originales R82 et installées selon les instructions du fabricant et/ou de la notice d'utilisation
- En cas de doute sur la sécurité lors de l'utilisation de votre produit R82, ou en cas de défectuosité, Il est conseillé d'arrêter immédiatement l'utilisation de l'appareil et de contacter dès que possible votre revendeur local

### Environnement

- Vérifiez la température de la surface du produit, avant d'y placer un utilisateur, en particulier pour les utilisateurs atteints d'insensibilité cutanée, car ils ne peuvent pas sentir la chaleur. Si la température de la surface dépasse les 41 °C, laissez refroidir le produit avant de l'utiliser.

### Utilisateur

- Si l'utilisateur a un poids proche de l'indication de charge maximum du produit, et s'il est sujet à beaucoup de mouvement involontaires il est préférable de prendre le modèle avec indication de charge supérieure ou un autre produit R82 plus adapté
- La tête de l'utilisateur doit toujours arriver au niveau de la partie supérieure du châssis

### Produit

- Faire tous les réglages posturaux, installer les accessoires sur l'appareil en s'assurant que toutes les mollettes, vis et boucles sont correctement serrées avant d'installer l'utilisateur dans l'appareil. Conserver les outils hors de la portée des enfants
- S'assurer de la bonne stabilité de l'appareil avant d'installer l'enfant dedans
- Vérifier de manière régulière les zip sont bien fermés
- Vérifier que tous les boutons sont bien fermés après le réglage.
- S'assurer que les housses antidérapantes en caoutchouc sont en bon état.
- Vérifier la partie filet et s'assurer que les ceintures et autres accessoires soient bien fixés par le velcro en toute sécurité
- Les ceintures et accessoires ne peuvent pas être utilisés comme des supports de longue durée mais sont à utiliser ponctuellement pour parfaire le positionnement.

### Informations relatives à l'entretien

La maintenance d'une aide technique médicale est pleinement sous la responsabilité du propriétaire de ce produit. La garantie appliquée au produit peut être invalidée au cas où l'entretien et la maintenance n'ont pas été accomplis de façon conforme à la notice d'instruction. De plus un défaut de maintenance peut compromettre les conditions cliniques ou la sécurité des usagers et/ou de leurs assistants.

Si le produit entre en contact avec l'eau du robinet contenant du chlore, il se peut que le plastique et les matériaux subissent une décoloration.

#### 1er jour

- Lire attentivement la notice d'utilisation (User Guide) avant la mise en route et la conserver pour un usage ultérieur.

#### Après chaque utilisation

- Rincez le produit à l'eau afin d'éliminer les résidus de savon et de matières organiques.

#### Quotidiennement

- Nettoyer les housses antidérapantes en caoutchouc à l'aide d'un chiffon imbibé d'eau chaude et de détergent doux et les essuyer complètement.
- Inspection visuelle. Réparer ou remplacer toute pièce endommagée ou usée
- Vérifier qu'il n'y ait pas de traces d'usure sur toutes les pièces des fixations et des boucles
- Faire attention à ce que toutes les fixations soient en place et correctement fixées
- Prendre conscience de toute marque d'indication Maximum avant réglage

#### Mensuellement

- Tous les boulons, vis et écrous de ce produit doivent être vérifiés et resserrés pour éviter tout risque superflu
- Graisser les parties pivotantes. Un système lubrifiant professionnel par est recommandé

#### Tous les 6 mois

- Inspecter le châssis en vue de déceler d'éventuelles fissures et appliquer la liste de contrôle. Ne jamais utiliser un produit qui présente des défauts. Merci de se référer à la liste de contrôle

#### Désinfection

Le produit peuvent être désinfectés avec une solution d'AIP à 70 %. Il est recommandé de nettoyer les éventuels résidus et salissures présents sur le produit à l'aide d'un chiffon imprégné d'eau chaude et de savon/détergent doux sans eau de Javel et de laisser sécher avant désinfection.

Avant de la désinfection

Retirez les éléments suivants et nettoyez-les séparément : Housse, Capitonnage & Accessoires

### Lavage

La housse peut être lavée en machine à 50 °C max. avec un détergent doux.

### Lavage en machine

Ce produit peut être lavé pendant 10 minutes à 60 °, à l'aide d'un détergent doux ou d'un désinfectant sans chlore, dans une machine conçue pour les appareils médicaux. Laissez sécher le produit avant de le réutiliser.

Ce produit peut être lavé pendant 3 minutes à 85 °, à l'aide d'un détergent doux ou d'un désinfectant sans chlore, dans une machine conçue pour les appareils médicaux. Laissez sécher le produit avant de le réutiliser.

### Avant de le nettoyer

Retirez les éléments suivants et nettoyez-les séparément : Housse, Capitonnage & Accessoires

### Fréquence d'entretien

Une inspection détaillée du produit doit être faite tous les 12 mois (tous les 6 mois lors d'un usage intensif) de même qu'à chaque fois que l'appareil est redistribué. L'inspection doit être faite par un technicien compétent ayant été formé à l'utilisation de cet appareil. Contacter votre revendeur pour les indications de réparation.

Lors d'une utilisation normale, la durée de vie de ce produit est de 5 ans si l'entretien et la maintenance ont été effectués selon les instructions du fabricant. Chaque entretien doit être répertorié et enregistré.

### Liste de vérification lors de l'entretien :

Vérifier et régler les fonctions suivantes en fonction de leur utilisation prévue. Réparer et remplacer toutes les pièces endommagées ou usées. Vérifier :

- Le dossier et le repose-jambes sont réglables et peuvent être verrouillés en position.
- Fermeture éclair & Velcro
- La chaise se plie et se déplie.
- que les écrous et boulons sont serrés sur le produit ;
- les craquelures du produit et signes d'usure des pièces ;
- que toutes les étiquettes du produit sont intactes ;

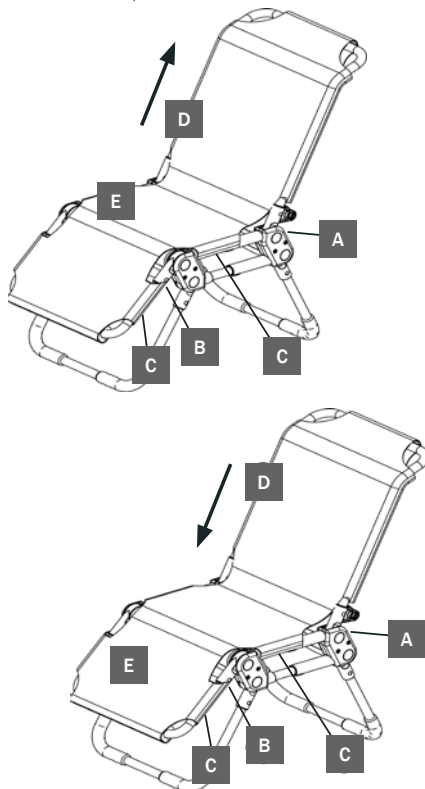
### Mettre et retirer la housse filet

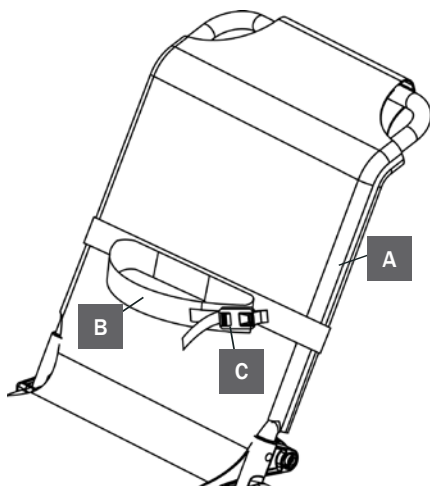
Suivre les instructions suivantes pour retirer la housse filet en vue de son lavage :

1. Ouvrir la fermeture zip au dos du dossier (A) et sous l'assise (B)
2. Ouvrir le velcro sous le siège (C) et retirer la housse du cadre par le haut (D)

Suivre les instructions ci dessous pour remettre la housse sur le siège :

1. Mettre la housse par le haut du dossier et la tirer vers le bas (D), S'assurer que les coussins en mousse de la housse soient bien placés autour du cadre.
2. Refermer la fermeture 'Zip' au dos du dossier (A)
3. Monter la petite partie avec une fermeture zip sous le siège (B). S'assurer que le velcro est face au sol
4. Incliner le support de jambes (E) vers le haut de manière à ce que les Velcros sous le siège (C) et sous le support de jambes (C) puissent être fermés. S'assurer que les coussins en mousse de la housse soient bien placés autour du cadre
5. Incliner vers le bas le support de jambes (E) et s'assurer que le Velcro est correctement fixe





## Accessoires

### Support thoracique

Suivre les indications suivantes pour installer le support thoracique:

1. Fixer la sangle avec le velcro sur le dossier (A)
2. Placer l'utilisateur dans le siège et installer la sangle (B) autour de son corps
3. Serrer la sangle thoracique avec le velcro et la boucle (C)

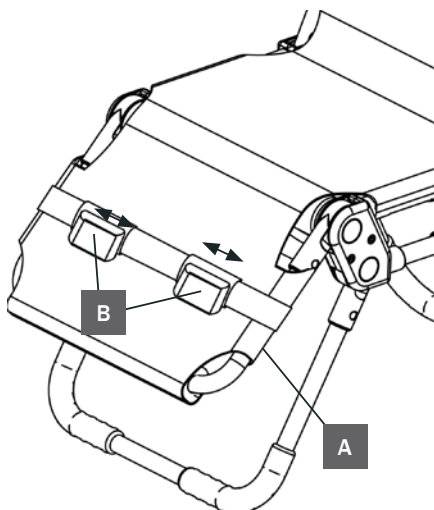
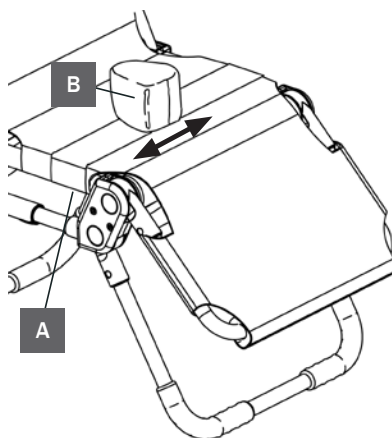
Le support thoracique ne doit pas être utilisé comme un support sur une de longue durée. Ce support a uniquement été conçu pour faciliter le positionnement de l'utilisateur dans le siège.

### Bloc d'abduction avec sangle

Suivre les instructions suivantes pour monter correctement le bloc d'abduction avec sangle:

1. Fixer la sangle avec Velcro sous le siège (A)
2. Régler le bloc (B) latéralement pour trouver la position optimale

Le bloc d'abduction ne doit pas être utilisé comme un support sur une de longue durée. Ce support a uniquement été conçu pour faciliter le positionnement de l'utilisateur dans le siège.



### Sangle de fixation des jambes

Suivre les instructions suivantes pour monter correctement le bloc d'abduction avec sangle:

1. Fixer la sangle avec velcro sous le support de jambes (A)
2. Régler les sangles (B) latéralement pour trouver la position optimale et fixer avec le velcro

Les sangles de fixation des jambes ne doivent pas être utilisées comme un support sur une de longue durée. Ce support a uniquement été conçu pour faciliter le positionnement de l'utilisateur dans le siège.

## ITALIANO

Vi ringraziamo per aver scelto questo prodotto della ditta R82, fornitore a livello mondiale di ausili tecnici ed apparecchi per bambini e ragazzi con bisogni speciali. Per beneficiare appieno delle possibilità offerte da questo prodotto è necessario leggere questo User Guide prima dell'uso e conservarlo per riferimenti futuri.

### Destinazione

Manatee è una sedia da bagno per bambini disabili. La sedia è progettata per collocare l'utente nella posizione seduta più idonea. È possibile regolare la profondità del sedile, incrementandola in base alla crescita del bambino. Il prodotto è destinato all'uso in interni nell'ambiente di un bagno.

Il gruppo di destinatari di questo prodotto sono bambini con paralisi cerebrale. L'attrezzatura è adatta anche a bambini con distrofia muscolare, spina bifida, lesioni del midollo spinale e problemi neurologici. Il prodotto è adatto ai bambini con GMFCS (Sistema di Classificazione della Funzione Motoria) di livello 3-5.



### Dichiarazione di conformità

Questo prodotto è conforme ai requisiti del Regolamento dispositivi medici (2017/745). Qualora il prodotto fosse modificato, utilizzato in combinazione con un prodotto di un altro produttore o utilizzato con ricambi e accessori non originali R82, il marchio CE deve essere rimosso. Inoltre, questo prodotto è conforme ai requisiti secondo:

- EN 12182
- ISO 17966



### Smaltimento

Quando un prodotto raggiunge la fine della sua vita, deve essere separato in base al tipo di materiali che lo compongono, in modo che le parti possano essere riciclate o smaltite correttamente. Se necessario, si prega di contattare il rivenditore locale per una descrizione precisa di ogni materiale. Si prega di contattare e chiedere informazioni alle autorità locali relativamente alle opzioni disponibili per il riciclaggio nel rispetto dell'ambiente.

### Accessori e ricambi

I prodotti R82 possono essere forniti con un'ampia varietà di accessori per soddisfare le esigenze del singolo utente. I pezzi di ricambio possono essere ordinati su richiesta. Gli accessori specifici possono essere cercati sul nostro sito oppure contattando il rivenditore locale per ulteriori informazioni.

### R82 Warranty

R82 offre una garanzia di 2 anni su difetti di fabbricazione e dei materiali e 5 anni di garanzia per le rotture delle parti metalliche della struttura, se causate da difetti di saldatura. La garanzia può decadere se la responsabilità del cliente relativa a una cura e/o la manutenzione giornaliera non viene effettuata secondo le linee guida e gli intervalli prescritti da parte del fornitore e/o indicati nel User Guide. Per ulteriori informazioni, fare riferimento alla homepage R82 – sezione Download.

La garanzia è valida solo nel paese in cui è stato acquistato il prodotto, e se il prodotto può essere identificato dal numero di serie. La garanzia non copre i danni accidentali, compresi i danni causati da uso improprio o negligenza. La garanzia non si estende alle parti consumabili, come ad esempio gli pneumatici o le imbottiture, che sono soggetti a normale usura e necessitano di sostituzioni periodiche.

La garanzia è nulla se non vengono utilizzati accessori e parti originali, o se la manutenzione, la riparazione e l'alterazione del prodotto non sono state effettuate secondo le linee guida e gli intervalli prescritti da parte del fornitore e/o indicati nella User Guide. R82 si riserva il diritto di ispezionare il prodotto del reclamo e la relativa documentazione prima di accettare la richiesta di garanzia e di decidere se sostituire o riparare il prodotto difettoso. È responsabilità del cliente restituire il prodotto per il quale viene richiesto reclamo in garanzia all'indirizzo di acquisto.

### Informazione preventiva

- Support.r82.org

### Sicurezza

Segni, simboli e istruzioni poste su questo prodotto non devono mai essere coperti o rimossi e devono rimanere presenti e chiaramente leggibili per l'intera vita del prodotto. Sostituire o riparare immediatamente segni, simboli e istruzioni illeggibili o danneggiati. Contattate il vostro rivenditore locale per le istruzioni.

Qualora si verificano eventi avversi correlati al dispositivo, segnalare tempestivamente gli incidenti al rivenditore locale e all'autorità nazionale competente. Il rivenditore locale inoltrerà le informazioni al produttore.

### Assistente

- Leggere attentamente le istruzioni prima dell'uso e conservarle per riferimento futuro. L'uso non corretto di questo prodotto può causare gravi lesioni per l'utente
- Questo prodotto contiene componenti di piccole dimensioni che potrebbero costituire un pericolo di soffocamento se rimossi dalla posizione prevista
- Usare sempre le tecniche di sollevamento corrette e gli aiuti per questo scopo
- Non lasciare mai incustodito l'utente su questo prodotto. Garantire una supervisione continua da parte di un adulto
- Riparazioni/sostituzioni devono essere effettuate utilizzando ricambi e accessori nuovi e originali R82, e devono essere realizzate in conformità con le linee guida e gli intervalli di manutenzione prescritti dal fornitore
- In caso di dubbi relativamente ad un utilizzo in sicurezza continua del prodotto R82 o

se qualsiasi sua parte dovessero rompersi, smettere di usare il prodotto immediatamente e contattare il rivenditore locale il più presto possibile

#### Ambiente

- Verificare la temperatura della superficie del prodotto prima di farvi salire un utente. Questo vale soprattutto per utenti con la pelle insensibile, che non riescono a percepire il calore. Se la temperatura della superficie supera i 41 °C, lasciare raffreddare il prodotto prima dell'uso

#### Utente

- Se l'utente ha peso vicino alla portata massima e/o compie molti movimenti involontari, come ad esempio un dondolio, è consigliato utilizzare il prodotto in una misura più grande e con portata massima più elevata, o considerare un diverso prodotto R82
- La testa dell'utente non deve mai superare la parte superiore del telaio

#### Prodotto

- Eseguire tutte le regolazioni per il posizionamento dell'utente sul prodotto e il montaggio degli accessori assicurandosi che tutte le manopole, viti e fibbie siano fissate saldamente prima dell'uso. Tenere tutti gli strumenti fuori dalla portata dei bambini
- Assicurarsi che il prodotto sia stabile prima di posizionare l'utente
- Controllare regolarmente che le cerniere siano chiuse
- Una volta regolati, verificare che tutti i pulsanti di rilascio siano in posizione
- Assicurarsi che le coperture in gomma antiscivolo siano pronte all'uso
- Controllare la copertura, le cinture e gli accessori in modo da assicurarsi che il Velcro sia chiuso in maniera sicura
- Le cinture e gli accessori inclusi non possono essere utilizzati come supporti a lungo termine, ma solamente come un supporto aggiuntivo utile a posizionare l'utente

#### Informazioni sull'assistenza

La manutenzione di un dispositivo medico è completa responsabilità del proprietario del dispositivo. La mancata manutenzione del dispositivo in conformità con le istruzioni può invalidare la garanzia del dispositivo. Inoltre, la non corretta manutenzione del dispositivo può compromettere la salute o la sicurezza degli utenti e/o dei loro accompagnatori. Il contatto del prodotto con acqua contenente cloro può comportare uno scolorimento delle parti in plastica e dei tessuti.

#### Primo Giorno

- Leggere le User Guide attentamente prima dell'utilizzo e conservarle in un luogo sicuro per future consultazioni

#### Dopo ogni utilizzo

- Sciacquare il prodotto con acqua per rimuovere i residui di sapone e materiali organici

#### Quotidiana

- Pulire le coperture in gomma antiscivolo utilizzando un panno con acqua calda e un detergente delicato e asciugarle bene
- Ispezione visiva. Riparare o sostituire le parti danneggiate o usurate
- Controllare che non ci siano segnali di parti usurate in tutti i raccordi e le fibbie
- Assicurarsi che tutti i dispositivi di fissaggio siano a posto e montati correttamente
- Fare riferimento a tutte le indicazioni di "max" prima di qualsiasi regolazione

#### Mensile

- Tutti i dadi e bulloni di questo prodotto devono essere controllati e serrati per evitare danni inutili
- Lubrificare i dispositivi swing-away. Si consiglia di utilizzare un prodotto lubrificante professionale

#### Ogni 6 mesi

- Controllare il telaio per crepe o segni di parti logorate ed effettuare manutenzione annuale. Non utilizzare mai un prodotto scadente o difettoso

#### Disinfezione

Il prodotto può essere disinfettato con una soluzione di alcol isopropilico al 70%. Si consiglia di rimuovere i residui di sporcizia dal prodotto con un panno inumidito con acqua calda e un detersivo/sapone delicato privo di cloro e lasciar asciugare prima della disinfezione.

Prima del disinfezione

Rimuovere i seguenti elementi e pulirli separatamente: Federa, Imbottitura & Accessori



### Lavaggio

La federa è lavabile in lavatrice a 50°C max con detersivo delicato.

### Lavaggio a macchina

Questo prodotto può essere lavato per 10 minuti a 60 °, con un detersivo delicato o un disinfettante senza cloro, in una macchina progettata per il lavaggio dei dispositivi medici. Si prega di lasciare asciugare il prodotto prima di riutilizzarlo.

Questo prodotto può essere lavato per 3 minuti a 85 °, con un detersivo delicato o un disinfettante senza cloro, in una macchina progettata per il lavaggio dei dispositivi medici. Si prega di lasciare asciugare il prodotto prima di riutilizzarlo.

### Prima del lavaggio

Rimuovere i seguenti elementi e pulirli separatamente: Federa, Imbottitura & Accessori

### Intervalli di manutenzione

Il prodotto deve essere ispezionato in modo dettagliato ogni 12 mesi (ogni 6 mesi per gli utenti di peso elevato) e ogni volta che il prodotto viene regolato nuovamente per l'uso. Il controllo deve essere effettuato da un tecnico competente con formazione specifica per l'utilizzo del prodotto. Contattare il proprio rivenditore locale per le istruzioni di riparazione, come per esempio sistemare una foratura dei pneumatici.

La durata di questo prodotto con utilizzo normale è di 5 anni, se tutta la manutenzione e gli interventi vengono effettuati secondo le istruzioni del produttore e testimoniate da documentazione.

### Lista di controllo di assistenza:

Controllare e regolare le funzioni seguenti, in base all'uso previsto. Riparare o sostituire le parti danneggiate o usurate. Controllare:

- Lo schienale e il supporto per le gambe sono regolabili e possono essere bloccati in posizione
- Cerniera & Velcro
- La sedia può essere piegata e riaperta
- I dadi e i bulloni sul prodotto sono serrati
- Escludere lesioni sul prodotto e segni di usura sulle parti
- Tutte le etichette del prodotto sono intatte

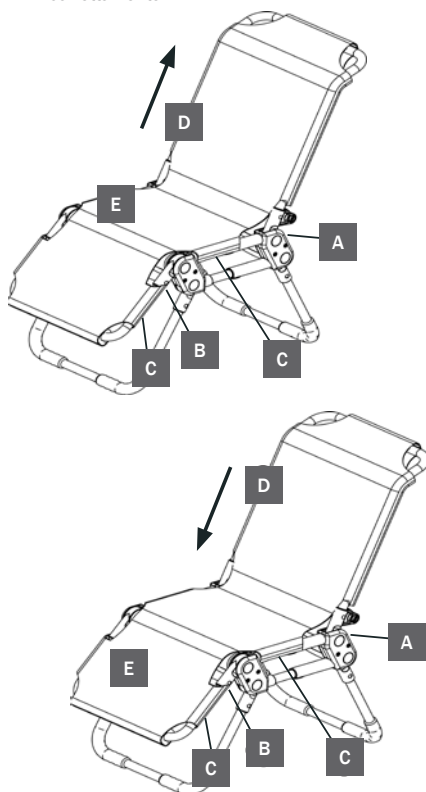
### Smontare e montare la copertura

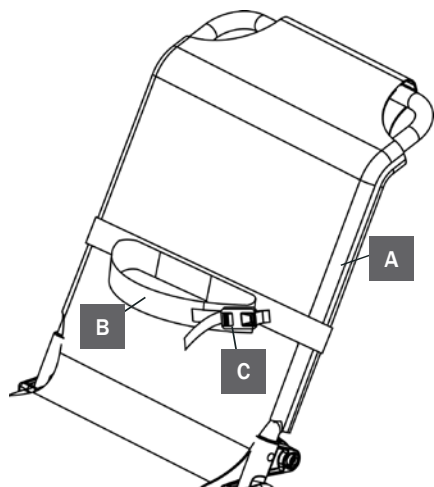
Quando la copertura deve essere smontata e lavata, seguire le istruzioni seguenti.

1. Aprire la cerniera della copertura presente sul retro (A) e sotto il sedile (B)
2. Aprire il Velcro sotto al sedile (C) e la copertura potrà essere sollevata (D) e rimossa dal sedile

Per rimontare la copertura sul sedile, seguire le istruzioni seguenti:

1. Rimettere la copertura sulla parte posteriore e tirarla verso il basso (D). Assicurarsi che i cuscini in gommapiuma presenti nella copertura siano posizionati intorno al telaio
2. Chiudere la cerniera presente sul retro del sedile (A)
3. Montare il piccolo pezzo di copertura con la cerniera sotto il sedile (B). Assicurarsi che il Velcro sia rivolto verso il basso
4. Capovolgere il supporto per le gambe (E) per chiudere il Velcro presente sotto al sedile (C) e sotto il supporto per le gambe (C). Assicurarsi che i cuscini in gommapiuma presenti nella copertura siano posizionati intorno al telaio
5. Capovolgere il supporto per le gambe (E) e assicurarsi che il Velcro sia stretto correttamente.





### Accessori

#### Supporto per il corpo

Per montare il supporto per il corpo in maniera corretta, seguire le istruzioni seguenti:

1. Stringere la cinghia con il velcro intorno alla parte posteriore (A)
2. Posizionare l'utente sul sedile. Montare la cinghia (B) intorno al corpo
3. Stringere il supporto per il corpo con il Velcro e con la fibbia (C)

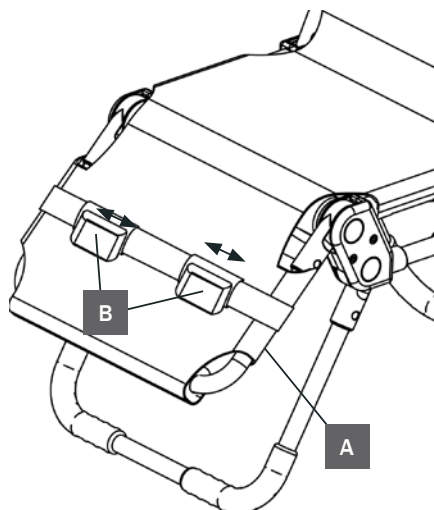
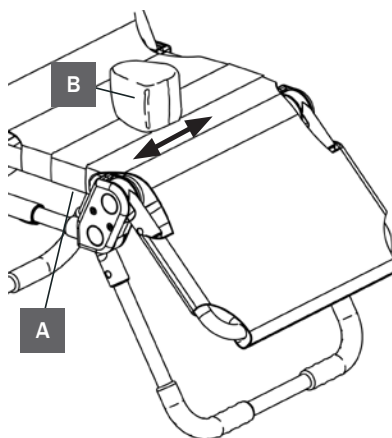
Il supporto per il corpo non deve essere utilizzato come un supporto a lungo termine. Questo supporto è progettato solamente per facilitare il posizionamento dell'utente sul sedile.

#### Pomello con cinghia

Per montare il pomello e la cinghia in maniera corretta, seguire le istruzioni seguenti:

1. Stringere la cinghia con il velcro sotto il sedile (A)
2. Regolare il pomello (B) lateralmente per ottenere una posizione ottimale

Il pomello con la cinghia non deve essere utilizzato come un supporto a lungo termine. Questo supporto è progettato solamente per facilitare il posizionamento dell'utente sul sedile.



#### Cinghie per il controllo delle gambe

Per montare le cinghie in maniera corretta, seguire le istruzioni seguenti:

1. Stringere la cinghia con il velcro sotto al supporto per le gambe (A)
2. Regolare le cinghie (B) lateralmente per ottenere una posizione ottimale. Stringere con il velcro

Le cinghie non devono essere utilizzate come un supporto a lungo termine. Questo supporto è progettato solamente per facilitare il posizionamento dell'utente sul sedile.

## PORTUGUÊS

Parabéns por adquirir o seu novo produto R82 - um fornecedor internacional de instrumentos e aparelhos técnicos auxiliares para crianças e jovens com necessidades especiais. Para beneficiar por completo das opções oferecidas por este produto, é imperativo ler o presente User Guide antes de utilizar o produto e conservá-lo para futura consulta.

### Finalidade

A Manatee é uma cadeira de banhos adequada para crianças portadoras de deficiência. A cadeira foi concebida para colocar o utilizador na posição sentada correta. É possível ajustar a profundidade do assento, fazendo com que a cadeira acompanhe o crescimento da criança. O produto é para uma utilização interior na casa de banho.

O grupo alvo para este dispositivo são as crianças portadoras de deficiência com paralisia cerebral (PC). As crianças com distrofia muscular, espinha bífida, lesões da medula espinal e problemas neurológicos também podem utilizar o dispositivo. O produto é adequado para crianças com GMFCS (Sistema de Classificação da Função Motora Grossa) de nível 3-5.



### Declaração de conformidade

Este produto está em conformidade com os requisitos do regulamento relativo aos dispositivos médicos (2017/745). A marca CE tem de ser retirada quando o produto for reconstruído, quando for utilizado em combinação com um produto de outro fabricante ou quando forem utilizados acessórios e peças sobresselentes que não sejam os originários R82. Além disso, este produto está em conformidade com os requisitos de acordo com:

- EN 12182
- ISO 17966



### Eliminação

Quando um produto atinge o fim do seu tempo de vida útil, este deve ser separado por tipo de materiais para que as peças possam ser recicladas ou eliminadas corretamente. Se necessário, queira contactar o seu revendedor local para obter a descrição exata de cada material. Queira contactar as suas autoridades locais para se informar das opções disponíveis para reciclagem de forma a ser um procedimento ecológico.

### Acessórios e peças sobresselentes

Os produtos R82 podem ser fornecidos com uma variedade de acessórios que satisfazem as necessidades do utilizador individualmente. As peças sobresselentes podem ser obtidas mediante pedido. Queira encontrar acessórios específicos na nossa página da internet ou contacte o seu revendedor local para mais informações.

### Garantia R82

R82 oferece 2 anos de garantia relativa a defeitos de fabrico e nos materiais e 5 anos de garantia relativa à rotura da estrutura em metal causada por defeitos nas soldas. A garantia será afetada de forma adversa se o cliente não cumprir a sua responsabilidade de reparar e/ou realizar a manutenção diária de acordo com as orientações

e os intervalos determinados pelo fornecedor e/ou dispostos no User Guide. Queira visitar a página da R82 na internet e proceder aos respetivos downloads para obter mais informações.

A garantia apenas é válida no país onde o produto foi adquirido e se o produto puder ser identificado pelo seu número de série. A garantia não cobre danos acidentais, incluindo danos provocados por utilizações indevidas ou por atos de negligência. A garantia não é extensível a consumíveis, por exemplo, pneus ou artigos estofados, que estão sujeitos ao desgaste normal através do seu uso e que precisam de ser periodicamente substituídos.

A garantia é nula e fica sem efeito se forem utilizados outros acessórios/peças que não sejam originários da R82, ou se o produto não tiver sido conservado, reparado ou modificado de acordo com as indicações e os intervalos determinados pelo fornecedor e/ou dispostos no User Guide (guia do utilizador). A R82 reserva-se o direito de inspecionar o produto reclamado e a documentação relevante antes de aceitar a reivindicação de garantia, e de decidir se deve substituir ou reparar o produto com defeito. É responsabilidade do cliente devolver o produto reivindicado sob garantia no endereço onde o adquiriu.

### Informação pré-venda

- [Support.r82.org](http://Support.r82.org)

### Segurança

Os sinais, os símbolos e as instruções existentes neste produto não podem ser cobertos ou removidos e têm de permanecer bem legíveis ao longo de todo o tempo de vida útil do produto. Substitua ou repare imediatamente os sinais, os símbolos e as instruções ilegíveis ou danificados. Contacte o seu revendedor local para obter instruções.

No caso de ocorrência de um evento adverso em relação ao dispositivo, os incidentes devem ser comunicados ao seu revendedor local e à autoridade nacional competente em tempo oportuno. O revendedor local reencaminhará as informações ao fabricante.

### Prestador de cuidados

- Leia todas as instruções e User Guide atentamente antes de utilizar o produto e conserve-as para futura consulta. A utilização incorreta deste produto pode provocar ferimentos graves ao utilizador
- Este produto contém pequenas peças que podem apresentar risco de asfixia se forem retiradas do seu respetivo local
- Utilize sempre as técnicas de elevação corretas e os aparelhos auxiliares para este efeito
- Nunca deixe o utilizador desacompanhado com este produto. Assegure a permanente supervisão por um adulto
- É imperativo realizar os trabalhos de reparação/substituição com base na utilização

de novas peças sobresselentes e ferragens originárias da R82 e de acordo com as orientações e os intervalos de manutenção determinados pelo fornecedor

- Se tem dúvidas relativas à segurança em continuar a utilizar o seu produto R82 ou se alguma das peças falhar, pare de utilizar este produto imediatamente e contacte o seu revendedor local o mais rapidamente possível

#### Ambiente

- Observe a temperatura da superfície do produto antes de colocar um utilizador no seu interior. Esta observação aplica-se aos utilizadores com pele sem sensibilidade, uma vez que não conseguem sentir o calor. Se a temperatura de superfície for superior a 41 °C, permita que o produto arrefeça antes de utilizar

#### Utilizador

- Se o utilizador se aproximar do peso máximo e/ou fizer muitos movimentos involuntários como, por exemplo, balançar, deve considerar-se um tamanho maior que suporte mais peso ou um produto R82 diferente
- A cabeça do utilizador deverá estar sempre dentro da parte superior da estrutura

#### Produto

- Realize todos os ajustes em termos de posição no produto e nos acessórios e assegure-se de que todos os puxadores, parafusos e fivelas estão bem apertados antes de utilizar. Mantenha todos os instrumentos fora do alcance das crianças
- Certifique-se de que é mantida a estabilidade do produto antes de acomodar o utilizador no mesmo
- Verifique regularmente se os fechos estão bem fechados
- Verifique se todos os botões de desbloqueio ficam no lugar depois do ajuste
- Certifique-se de que todas as coberturas de borracha antiderrapantes funcionam corretamente
- Verifique a cobertura, as correias e os acessórios e certifique-se de que o Velcro aperta em segurança
- As correias e os acessórios anexados não podem ser usados como suportes a longo prazo, apenas podendo ser usados como ajuda extra aquando do posicionamento do utilizador

#### Informações do serviço

A manutenção de um dispositivo médico é da total responsabilidade do proprietário desse dispositivo. A não realização da manutenção de um dispositivo de acordo com as instruções pode invalidar a garantia sobre o dispositivo. Além disso, se não realizar a manutenção de um dispositivo, poderá comprometer a condição clínica ou a segurança dos utilizadores e/ou seus prestadores de cuidados.

Se o produto for sujeito a água corrente com cloro, os plásticos e tecidos poderão ficar descoloridos.

#### Primeiro dia

- Leia as User Guide atentamente antes de utilizar o produto e guarde-as em local seguro para futura consulta

#### Após cada utilização

- Enxague o produto com água para remover restos de sabão e de material orgânico

#### Diariamente

- Limpe as coberturas de borracha antiderrapantes com um pano embebido em água quente e com um detergente suave e limpe-as com um pano seco
- Inspeção visual. Repare ou substitua quaisquer peças danificadas ou gastas
- Verifique em todas as ferragens e fivelas se há peças com sinais de desgaste
- Certifique-se de que todos os fechos estão no sítio e corretamente engatados
- Esteja ciente de quaisquer marcas indicadoras de "máx." antes de ajustar

#### Mensalmente

- Todas as porcas e parafusos deste produto devem ser verificadas e apertadas para evitar problemas desnecessários
- Lubrifique as peças oscilantes. Recomendamos que utilize um sistema lubrificante profissional como

#### A cada 6 meses

- Inspeccione o quadro quanto à existência de fissuras ou peças com sinais de desgaste e proceda à sua manutenção anual. Nunca utilize um produto que aparentemente não cumpra as normas ou esteja deficiente

#### Desinfecção

O produto pode ser desinfetado com uma solução IPA desinfetante a 70%. Recomendamos que limpe quaisquer resíduos e sujidade do produto utilizando um pano embebido em água quente e com um detergente/sabão suave, sem cloro, e seque antes de desinfetar.

Antes de desinfecção

Retire os seguintes componentes e limpe-os em separado: Capa, Acolchoamento & Acessórios

#### Lavagem

A capa pode ser lavada a uma temperatura máxima de 50 °C, com um detergente suave, na máquina de lavar.

### Lavagem na máquina de lavar roupa

Este produto pode ser lavado por 10 minutos a 60 °, utilizando um detergente neutro e desinfetante sem cloro, numa lavagem de máquina unicamente destinada a estes dispositivos médicos. Por favor deixe o produto secar antes de utilizar.

Este produto pode ser lavado por 3 minutos a 85 °, utilizando um detergente neutro e desinfetante sem cloro, numa lavagem de máquina unicamente destinada a estes dispositivos médicos. Por favor deixe o produto secar antes de utilizar.

### Antes de lavar

Retire os seguintes componentes e limpe-os em separado: Capa, Acolchoamento & Acessórios

### Intervalos de manutenção

Deve ser realizada uma inspeção detalhada do produto de 12 em 12 meses (e de 6 em 6 meses para utilizadores pesados) e sempre que o produto for relançado para utilização. A inspeção deve ser realizada por um profissional técnico competente que tenha realizado formação na utilização deste produto. Contacte o seu representante local para instruções ou reparações.

O tempo de vida útil deste produto é normalmente de 5 anos se for bem conservado e se se realizar a manutenção necessária de acordo com as instruções do fabricante e com registo documentado.

### Lista de verificação do serviço:

Verifique e ajuste as seguintes funções de acordo com a sua utilização prevista. Repare ou substitua quaisquer peças danificadas ou gastas. Verifique:

- O encosto e o apoio para pernas podem ser ajustados e bloqueados no lugar
- Zíper(es) & Velcro
- Cadeira dobrável/desdobrável
- Se as porcas e parafusos no produto estão apertados
- Se o produto mostra fendas ou sinais de desgaste
- Se todas as etiquetas no produto estão intactas

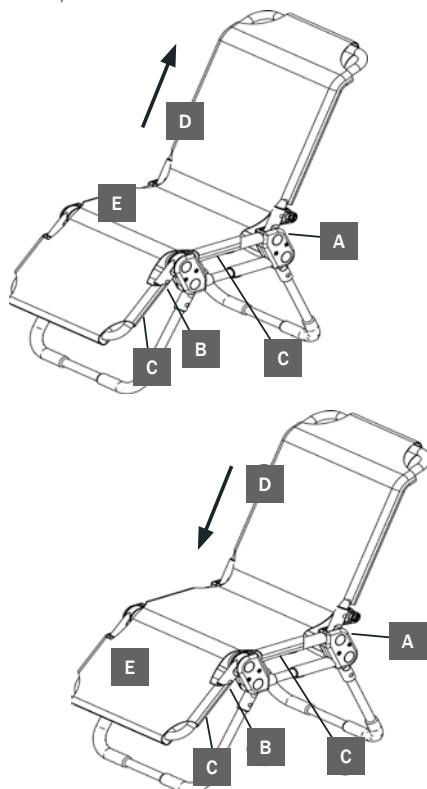
### Desmontar e montar a cobertura

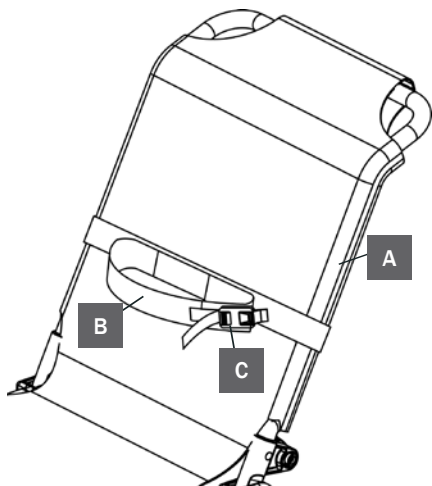
Siga a descrição abaixo quando for necessário desmontar e lavar a cobertura:

1. Abra o fecho da cobertura na parte de trás (A) e por baixo do assento (B)
2. Abra o Velcro por baixo da cadeira (C) e pode retirar a cobertura (D) da cadeira

Siga a descrição abaixo para voltar a montar a cobertura na cadeira:

1. Coloque a cobertura sobre a parte de trás e puxe para baixo (D). Certifique-se de que as almofadas de espuma na cobertura são colocadas à volta da estrutura
2. Aperte o fecho da cobertura na parte de trás da cadeira (A)
3. Monte a pequena peça de cobertura com o fecho por baixo da cadeira (B). Certifique-se de que o Velcro está a apontar para baixo
4. Vire para cima o suporte da perna (E) e o Velcro por baixo do assento (C) e por baixo do suporte da perna (C) pode ser fechado. Certifique-se de que as almofadas de espuma na cobertura são colocadas à volta da estrutura
5. Vire para baixo o suporte da perna (E) e certifique-se de que o Velcro está corretamente apertado





### Acessórios

#### Suporte do corpo

Siga a descrição abaixo para montar o suporte do corpo da forma correta:

1. Aperte a fita com Velcro à volta das costas (A)
2. Coloque o utilizador na cadeira. Monte a fita (B) à volta do corpo
3. Aperte o suporte do corpo com Velcro e a fivela (C)

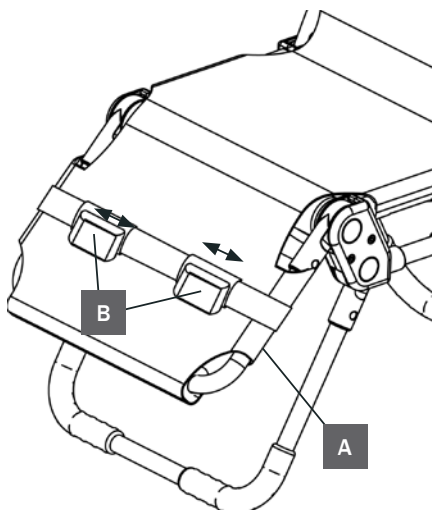
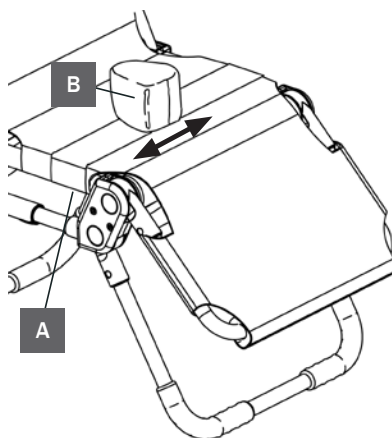
O suporte do corpo não pode ser usado como suporte a longo prazo. Este suporte destina-se apenas a facilitar a colocação do utilizador na cadeira.

#### Maçaneta com fita

Siga as instruções abaixo para montar a maçaneta e a fita da forma correta:

1. Aperte a fita com Velcro por baixo do assento (A)
2. Ajuste a maçaneta (B) lateralmente para conseguir a posição perfeita

A maçaneta com fita não pode ser usada como suporte a longo prazo. Este suporte destina-se apenas a facilitar a colocação do utilizador na cadeira.



#### Fitas para controlo das pernas

Siga a descrição abaixo para montar as fitas da forma correta:

1. Aperte a fita com Velcro por baixo do suporte da perna (A)
2. Ajuste as fitas (B) lateralmente para conseguir a posição perfeita. Aperte com o velcro

As fitas não podem ser usadas como suporte a longo prazo. Este suporte destina-se apenas a facilitar a colocação do utilizador na cadeira.

## PORTUGUÊS DO BRASIL

Parabéns por comprar o nosso novo produto da R82, um fornecedor mundial de assistências técnicas e aparelhos para crianças e adolescentes com necessidades especiais. Para obter os benefícios completos das opções oferecidas por este produto, você deve ler este User Guide antes de usá-lo, guardando-o para consultas futuras.

### Uso pretendido

O Manatee é uma cadeira de banho para crianças com necessidades especiais. A cadeira é projetada para colocar o usuário sentado na posição correta. A profundidade do assento pode ser ajustada, permitindo que a cadeira acompanhe o crescimento da criança. O produto deve ser usado em banheiros, sempre em área internas.

O grupo alvo para este dispositivo é de crianças incapacitadas por paralisia cerebral (CP). Além disso, crianças com distrofia muscular, espinha bífida, lesões da medula espinhal e deficiências neurológicas podem ser sujeitadas ao dispositivo. O produto é adequado para crianças com GMFCS de níveis 3-5.



### Declaração de conformidade

Este produto está em conformidade com os requisitos da Regulamentação de Dispositivos Médicos (2017/745). A marca CE deve ser removida quando o produto for reconstruído, quando for utilizado em conjunto com um produto de outro fabricante ou quando forem utilizadas peças de reposição e conexões R82 que não sejam originais. Além disso, este produto está em conformidade com os requisitos relacionados a:

- EN 12182
- ISO 17966



### Descarte

Quando um produto atinge o fim de sua vida útil, ele deve ser separado de acordo com o tipo de material, para que suas peças possam ser recicladas ou descartadas corretamente. Se necessário, contate o seu revendedor local para obter uma descrição precisa de cada material. Contate as autoridades de sua região para informar-se das opções disponíveis de reciclagem ecológica.

### Acessórios e peças de reposição

Os produtos da R82 podem ser fornecidos com uma gama de acessórios que atendem às necessidades do usuário individual. As peças de reposição podem ser encomendadas sob solicitação. Encontre os acessórios específicos em nosso site ou contate seu revendedor local para maiores informações.

### Garantia da R82

A R82 oferece uma garantia de dois anos contra defeitos de fabricação e materiais e uma garantia de cinco anos contra rupturas da estrutura de metal causadas por defeitos em suas soldas. A garantia pode ser afetada negativamente se a responsabilidade do cliente pelo conserto e/ou manutenção diária não for praticada de acordo com as instruções e intervalos descritos pelo fornecedor e/ou conforme descrito no User Guide. Para maiores informações, consultamos a página inicial da R82,

na aba download.

A garantia somente poderá ser mantida se o produto R82 estiver sendo utilizado no mesmo país onde foi adquirido e se puder ser identificado pelo seu número de série. A garantia não cobre danos acidentais, incluindo aqueles causados por uso incorreto ou descuido. A garantia não se estende a itens consumíveis, tais como pneus ou estofamento, que estão sujeitos a desgaste normal e precisam de substituição periódica.

A garantia será anulada caso outras peças/acessórios que não sejam os originais sejam usados, ou caso o produto não tenha sido mantido, consertado ou alterado de acordo com as orientações e intervalos prescritos pelo fornecedor e/ou dispostos no Guia do Usuário (User Guide). A R82 reserva-se o direito de inspecionar o produto sob reclamação e a documentação relevante antes de concordar com o pedido de garantia, além de decidir se substituirá ou consertará o produto defeituoso. O consumidor é responsável por retornar o item sob reclamação que encontra-se na garantia para o endereço de compra.

### Informações pré-vendas

- [Support.R82.org](http://Support.R82.org)

### Segurança

Os sinais, símbolos e instruções colocados neste produto nunca devem ser cobertos ou removidos, devendo estar presentes e claramente legíveis durante toda a sua vida útil. Substitua ou conserte imediatamente sinais, símbolos e instruções ilegíveis ou danificados. Entre em contato com o seu revendedor local para maiores instruções.

Caso ocorra um evento adverso relacionado ao dispositivo, os incidentes devem ser comunicados ao seu revendedor local e à autoridade nacional competente em tempo hábil. O revendedor local encaminhará as informações ao fabricante.

### Prestador de cuidados

- Leia todas as instruções cuidadosamente antes de utilizar o produto e guarde-as para futura referência. O uso incorreto deste produto pode causar sérios acidentes ao usuário
- Este produto contém peças pequenas, que podem apresentar risco de asfixia se forem removidas de seu local original
- Utilize sempre as técnicas e auxílios de elevação corretos para tal fim
- Nunca deixe o usuário sem supervisão com este produto. Certifique-se de que há a supervisão permanente de um adulto
- Consertos/substituições somente devem ser

feitos utilizando-se peças e acessórios novos e originais da R82 e executados de acordo com as instruções e intervalos de manutenção sugeridos pelo fornecedor

- Se houver quaisquer dúvidas quanto ao uso continuado de seu produto R82 ou se qualquer uma das peças falhar, pare imediatamente de utilizar o produto e contate o seu revendedor local assim que possível

#### Ambiente

- Verifique a temperatura da superfície do produto antes de deixar o usuário entrar. Isso vale especialmente para usuários com falta de sensibilidade cutânea, o que pode afetar sua percepção de calor. Caso a temperatura da superfície esteja acima de 41° C, espere o produto esfriar um pouco antes de usá-lo.

#### Usuário

- Se o usuário estiver próximo do limite máximo de carga e/ou realizar muitos movimentos involuntários, tal como balançar-se, deve-se considerar um produto de maior tamanho ou com uma carga máxima maior, ou mesmo um produto R82 diferente
- A cabeça do usuário deve estar sempre abaixo do topo do suporte.

#### Produto

- Realize todos os ajustes de posição no produto e acessórios e certifique-se de que todos os botões, parafusos e fivelas estão firmemente presos antes de sua utilização. Mantenha todas as ferramentas longe do alcance de crianças
- Certifique-se de manter a estabilidade do produto antes de colocar o usuário no mesmo
- Confirme com regularidade que os zíperes estão fechados de forma segura
- Verifique se todos os botões de liberação voltam a seus lugares após o ajuste
- Certifique-se de que as tampas de borracha antiderrapantes estejam funcionando
- Verifique a capa, as cintas e os acessórios e certifique-se de que o Velcro esteja preso de forma segura
- As cintas e os acessórios incluídos não podem ser usados como suporte por um período prolongado; podem ser usados apenas como uma ajuda adicional ao posicionar o usuário

#### Informações de serviços

A responsabilidade pela manutenção de um equipamento médico é totalmente de seu proprietário. A não-manutenção de um equipamento de acordo com suas instruções pode invalidar a garantia do mesmo. Além disso, a não-manutenção de um equipamento pode comprometer a condição clínica ou a segurança dos usuários e/ou de seus cuidadores.

Se o produto for submetido a água corrente contendo cloro, é possível que haja descoloração dos plásticos e tecidos.

#### Primeiro dia

- Leia o User Guide cuidadosamente antes de usar o produto e guarde-o em local seguro para consultas futuras

#### Após cada uso

- Enxágue o produto com água para retirar os restos de sabão e material orgânico

#### Diariamente

- Limpe as tampas de borracha antiderrapantes, utilizando um pano com água morna e detergente neutro e seque-as
- Inspeção visual. Conserte ou substitua quaisquer peças danificadas ou desgastadas
- Verifique todos os acessórios e fivelas quanto a sinais de desgaste
- Certifique-se de que todas as presilhas estão presentes e ajustadas corretamente
- Esteja alerta de quaisquer indicações de marca máxima antes de fazer ajustes

#### Mensalmente

- Todas as porcas e parafusos neste produto devem ser verificados e apertados para evitar quedas desnecessárias
- Lubrifique as peças giratórias. Recomendamos que você utilize um sistema de lubrificação profissional, tal como o lubrificante seco

#### A cada 6 meses

- Inspeccione a estrutura quanto a rachaduras ou sinais de peças desgastadas e realize a manutenção anual. Nunca utilize um produto que pareça estar abaixo do padrão ou defeituoso

#### Desinfecção

O produto pode ser desinfetado com uma solução de desinfetante IPA a 70%. É recomendável limpar qualquer resíduo e sujeira do produto com um pano umedecido com água quente e detergente/sabão neutro e sem cloro e deixar secar antes da desinfecção.

Antes de desinfecção

Remova os itens a seguir e limpe-os separadamente: Cobertura, Acolchoamento & Acessórios



### Lavagem

A cobertura pode ser lavada no máximo a 50° C, utilizando-se detergente neutro na máquina de lavar.

### Máquina de lavar

Este produto pode ser lavado por 10 minutos em 60°, utilizando detergente ou desinfetante sem cloro, em máquinas projetadas para equipamentos médicos. O produto deve estar seco antes de ser utilizado novamente.

Este produto pode ser lavado por 3 minutos em 85°, utilizando detergente ou desinfetante sem cloro, em máquinas projetadas para equipamentos médicos. O produto deve estar seco antes de ser utilizado novamente.

### Antes de lavar

Remova os itens a seguir e limpe-os separadamente: Cobertura, Acolchoamento & Acessórios

### Intervalo de manutenção

Uma inspeção detalhada do produto deve ser feita a cada 12 meses (ou a cada 6 meses, no caso de usuários pesados) e toda vez que o produto for novamente liberado para uso. A inspeção deve ser feita por uma pessoa tecnicamente competente, que recebeu treinamento sobre o uso do produto. Entre em contato com seu distribuidor local para instruções sobre reparos.

Em condições normais de uso, a vida útil deste produto é de 5 anos, caso a manutenção e reparo sejam feitos de acordo com as instruções do fabricante e estejam comprovadamente registrados.

### Lista de verificação de serviço:

Verifique e ajuste as funções a seguir, de acordo com seu uso pretendido. Repare ou substitua quaisquer peças gastas ou danificadas. Verifique:

- O apoio para costas e o apoio para pernas são ajustáveis e podem ser travados na posição
- Zíper(es) & Velcro
- A cadeira pode ser dobrada/desdobrada
- Que as porcas e os parafusos do produto estejam apertados
- Se há fissuras ou sinais de peças gastas no produto
- Se todos os rótulos do produto estão intactos

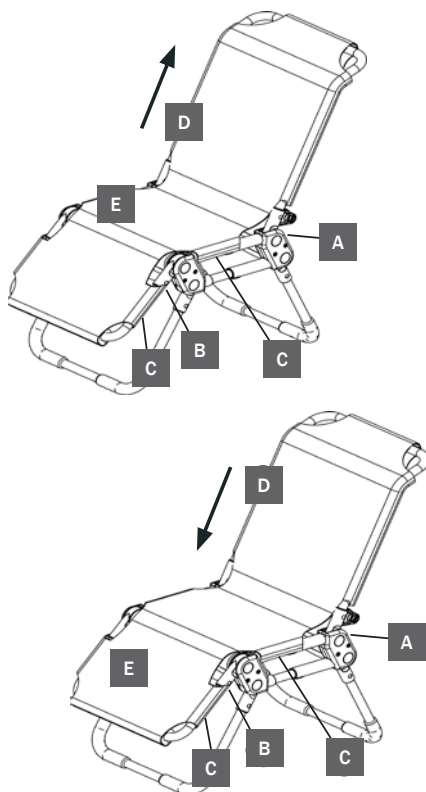
### Remoção e colocação da capa

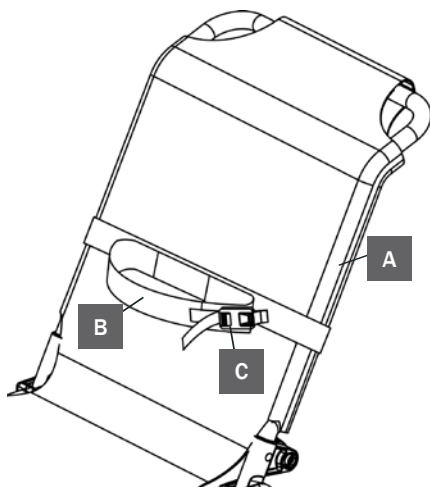
Siga a descrição abaixo quando for necessário retirar e lavar a capa:

1. Abra o zíper da capa na parte traseira (A) e debaixo do assento (B)
2. Abra o Velcro debaixo da cadeira (C) e puxe a capa para cima (D) e para fora da cadeira

Siga a descrição abaixo para recolocar a capa na cadeira:

1. Passe a capa pelo encosto e puxe para baixo (D). Certifique-se de que as almofadas de espuma na capa fiquem ao redor da estrutura
2. Feche o zíper da capa na parte posterior da cadeira (A)
3. Coloque a pequena peça da capa com o zíper debaixo da cadeira (B). Certifique-se de que o Velcro esteja apontando para baixo
4. Levante o apoio para pernas (E) e o Velcro debaixo do assento (C) e debaixo do apoio para pernas (C) pode ser fechado. Certifique-se de que as almofadas de espuma na capa fiquem ao redor da estrutura
5. Abaixee o apoio para pernas (E) e certifique-se de que o Velcro esteja preso corretamente





## Acessórios

### Suporte do corpo

Siga a descrição abaixo para montar o suporte do corpo da maneira correta:

1. Prenda a cinta com Velcro em volta do encosto (A)
2. Coloque o usuário na cadeira. Coloque a cinta (B) ao redor do corpo
3. Prenda o suporte do corpo com o Velcro e a fivela (C)

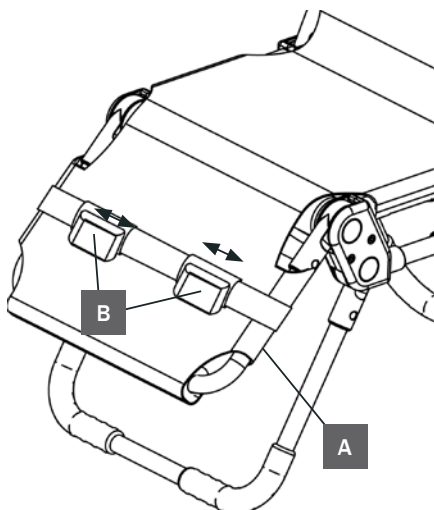
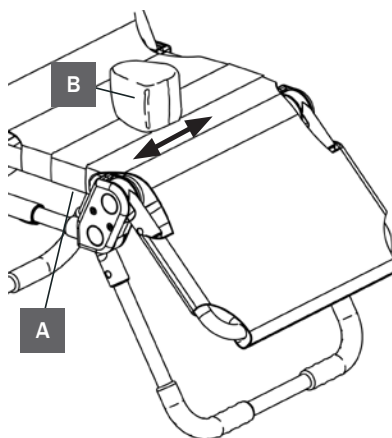
O suporte do corpo não pode ser usado como um suporte por um período prolongado. Este suporte destina-se apenas a facilitar a colocação do usuário na cadeira.

### Alça com cinta

Siga as instruções abaixo para colocar a alça e a cinta da maneira correta:

1. Prenda a cinta com Velcro embaixo do encosto (A)
2. Ajuste a alça (B) para o lado para obter a posição ideal

A alça com cinta não pode ser usada como um suporte por um período prolongado. Este suporte destina-se apenas a facilitar a colocação do usuário na cadeira.



### Cintas para o controle das pernas

Siga a descrição abaixo para montar as cintas da maneira correta:

1. Prenda a cinta com Velcro embaixo do apoio para pernas (A)
2. Ajuste as cintas (B) para o lado para obter a posição ideal. Prenda com o Velcro

As cintas não podem ser usadas como um suporte por um período prolongado. Este suporte destina-se apenas a facilitar a colocação do usuário na cadeira.

## РОССИЯ

Поздравляем Вас с приобретением Вашего нового изделия от R82 — компании, поставляющей по всему миру технические приспособления и устройства для детей и подростков со специфическими потребностями. Чтобы в полной мере воспользоваться преимуществами данного изделия, перед его использованием необходимо прочитать данное руководство и сохранить его для получения справочной информации в будущем.

### Предназначение

Manatee — это кресло для ванны, предназначенное для детей с ограниченными возможностями. Кресло разработано таким образом, чтобы сидящий в нем ребенок принял правильное положение. Глубина сиденья регулируется, то есть кресло «растет» вместе с ребенком. Изделие предназначено для использования в ванной комнате.

Целевой группой для данного устройства являются дети-инвалиды с церебральным параличом (ДЦП). Также устройство могут использовать дети с мышечной дистрофией, незаращением дужек позвонков, повреждениями спинного мозга и неврологическими нарушениями. Изделие подходит для детей со степенью нарушений 3–5 по системе классификации общей моторики (GMFCS).



### Декларация соответствия

Это изделие соответствует требованиям Регламента об устройствах медицинского назначения (2017/745). При переоборудовании изделия, использовании его в сочетании с изделием другого изготовителя или при использовании запасных частей и принадлежностей, отличных от оригинальных деталей R82, маркировка знаком CE должна быть удалена. Кроме того, это изделие соответствует следующим требованиям:

- EN 12182
- ISO 17966



### Утилизация

По достижении данным изделием окончания срока службы его необходимо разобрать на детали в зависимости от материала, из которого они изготовлены, для того, чтобы впоследствии эти детали можно было переработать или правильно утилизировать. Если необходимо, пожалуйста, обратитесь к дилеру в Вашем регионе для получения точного описания всех материалов. Пожалуйста, обратитесь в региональные органы власти, чтобы узнать об экологически безопасных способах повторной переработки материалов.

### Аксессуары и запчасти

Изделия компании R82 могут поставляться с различными аксессуарами, соответствующими определенным нуждам пользователей. Заказ запчастей может осуществляться по запросу. Найдите специальные аксессуары на нашем веб-сайте и свяжитесь с дилером в Вашем регионе для получения дополнительной информации.

### Гарантия R82

R82 предлагает 2-летнюю гарантию, которая распространяется на дефекты изготовления и материалов, и 5-летнюю гарантию, которая распространяется на случаи повреждения металлической рамы вследствие дефектов сварки. В случае несоблюдения покупателем его обязательств по обслуживанию и/или ежедневному уходу в соответствии с инструкциями и интервалами, предусмотренными поставщиком и/или указанными в данном руководстве, гарантия будет отменена. Для получения дополнительной информации см. главную страницу веб-сайта компании R82, раздел «Материалы для скачивания».

Гарантия действительна только в той стране, где изделие было приобретено, и если возможна идентификация изделия по его серийному номеру. Гарантия не распространяется на случайные повреждения, в том числе повреждения вследствие ненадлежащего или небрежного использования. Гарантия не распространяется на расходные материалы (например, шины и обивку), подверженные естественному износу и требующие периодической замены.

Гарантия аннулируется и становится недействительной в случае, если не используются оригинальные запчасти/аксессуары, или если данное изделие обслуживается, ремонтируется или модифицируется не в соответствии с предписаниями и интервалами, установленными поставщиком и/или указанными в User Guide. установленными поставщиком и/или указанными в инструкциях по использованию. Компания R82 сохраняет за собой право осмотра изделия, по которому предъявляется требование об исполнении гарантии, и соответствующей документации, прежде чем согласиться с обоснованностью претензий по гарантии и принять решение о необходимости замены или ремонта дефектного изделия. Покупатель обязан вернуть изделие, по которому предъявляется требование об исполнении гарантии, по адресу покупки данного изделия. Гарантия предоставляется компанией R82 или, впоследствии, компанией-дилером, распространяющей продукцию R82.

### Предпродажная информация

- [Support.r82.org](http://Support.r82.org)

## Безопасность

Знаки, основные обозначения и инструкции, размещенные на данном изделии, ни в коем случае нельзя закрывать или удалять — они должны оставаться на изделии в читаемом виде на протяжении всего срока его службы. Незамедительно замените или восстановите знаки, основные обозначения и инструкции, которые были повреждены или стали нечитаемыми. Для получения инструкций обратитесь к дилеру в Вашем регионе.

В случае неблагоприятного события, связанного с использованием этого устройства, необходимо своевременно связаться со своим региональным дилером и соответствующим компетентным государственным органом, чтобы сообщить о данном инциденте. Региональный дилер передаст эту информацию производителю.

## Лицо, осуществляющее уход за инвалидом

- Перед использованием данного изделия внимательно прочитайте все инструкции и сохраните их для использования в будущем. Неправильное использование данного изделия может стать причиной получения его пользователем серьезных травм
- Это изделие содержит мелкие детали, которые представляют опасность удушья, если не закреплены на месте.
- Для этой цели следует всегда использовать надежные методы подъема и соответствующие вспомогательные приспособления
- Никогда не оставляйте пользователя в данном изделии без присмотра. Необходимо обеспечить постоянное наблюдение со стороны взрослого
- Ремонт/замена компонентов необходимо осуществлять только с использованием новых оригинальных запчастей и приспособлений производства R82, а также в соответствии с предписаниями и интервалами обслуживания, установленными поставщиком
- Если у Вас возникли какие-либо сомнения относительно возможности продолжения безопасного использования Вашего изделия от R82, или в случае потенциального отказа каких-либо его компонентов, незамедлительно приостановите использование данного изделия и как можно скорее свяжитесь с дилером в Вашем регионе

## Окружающая среда

- аПеред размещением пользователя в изделии проверьте температуру поверхности изделия. Это особенно важно для пользователей с нечувствительной кожей, поскольку они не могут чувствовать жар. Если температура поверхности превышает 41 °C, дайте изделию остыть перед использованием.

## Пользователь

- Если вес пользователя приближается к макс. допустимому для данного изделия и/или пользователь выполняет много произвольных движений, например, раскачивание, следует рассмотреть возможность использования большего по размеру изделия с более высокой макс. нагрузкой по весу или другого изделия от компании R82
- Голова сидящего в кресле ни в коем случае не должна быть выше верхней части рамы.

## Изделие

- Выполните все позиционные регулировки на изделии и аксессуарах, а также удостоверьтесь в том, что все ручки, винты и пряжки надежно закреплены перед использованием данного изделия. Храните все инструменты в недоступном для детей месте
- Убедитесь в устойчивости данного изделия, прежде чем разместить в нем пользователя.
- Регулярно проверяйте, чтобы застежки-молнии были надежно застегнуты
- Убедитесь, что все кнопки освобождения вошли на свое место после регулировки
- Убедитесь, что резиновые противоскользящие чехлы пригодны для использования
- Проверьте чехол, ремни и принадлежности и убедитесь, что застежки-липучки надежно застегнуты
- Прилагаемые ремни и принадлежности нельзя использовать в качестве долговременной опоры. Их можно применять только как вспомогательное средство для размещения пользователя

## Информация об обслуживании

Техническое обслуживание данного медицинского устройства полностью является ответственностью его владельца. Следствием несоблюдения требований в отношении технического обслуживания данного устройства в соответствии с инструкциями может стать аннулирование гарантии по данному устройству. Более того, несоблюдение требований в отношении технического обслуживания данного устройства может поставить под угрозу клиническое состояние или безопасность пользователей и/или лиц, осуществляющих уход за ними.

Если изделие используется под хлорированной водопроводной водой, возможно изменение цвета пластика и ткани.

## 1-й день

- Перед использованием данного изделия внимательно прочитайте инструкции по его использованию и сохраните их в надежном месте для последующего использования

## После каждого использования

- Ополосните изделие водой для удаления остатков мыла и органического материала

## Ежедневно

- Очистите резиновые противоскользящие чехлы салфеткой, смоченной в теплой воде с мягким моющим средством, и протрите их насухо
- Визуальный осмотр. Отремонтируйте или замените все поврежденные или изношенные детали
- Проверьте все приспособления и пряжки на предмет изношенных деталей
- Убедитесь в том, что все крепежные детали на месте и правильно установлены
- Изучите все отметки максимальных уровней перед выполнением регулировки

## Ежемесячно

- Во избежание ненужных неисправностей все гайки и болты на данном изделии необходимо проверять и затягивать
- Смажьте вращающиеся детали. Мы рекомендуем использовать профессиональную смазочную систему

### Каждые 6 месяцев

- Осмотрите раму на предмет трещин или признаков износа деталей и выполните ежегодное обслуживание. Никогда не используйте изделие, если оно кажется некачественным или неисправным

### Дезинфицирование

Изделие можно дезинфицировать 70%-м дезинфицирующим раствором с изопропиловым спиртом (IPA). Перед дезинфекцией рекомендуется стереть с изделия налет и грязь с помощью ткани, смоченной в теплой воде с мягким моющим средством/мылом без хлора, и высушить его.

#### Перед Дезинфицированием

Снимите нижеуказанные элементы и очистите их отдельно, чехол, мягкие подкладки; & комплектующие;

### Стирка

чехол можно стирать в стиральной машине при температуре не более 50° с использованием мягкого моющего средства

### Обработка рамы

Раму можно мыть в течение 10 минут при 60°, используя мягкое моющее средство или дезинфицирующее средство без хлора в машине, предназначенной для обработки медицинских изделий. Рама должна быть высушена перед последующим использованием.

Раму можно мыть в течение 3 минут при 85°, используя мягкое моющее средство без хлора в машине, предназначенной для обработки медицинских изделий. Рама должна быть высушена перед последующим использованием.

### Перед очисткой

Снимите нижеуказанные элементы и очистите их отдельно, чехол, мягкие подкладки; & комплектующие;

### Интервал обслуживания

Тщательный осмотр данного изделия необходимо проводить каждые 12 месяцев (каждые 6 месяцев для пользователей с большим весом) и каждый раз при повторном выпуске данного изделия для использования. Осмотр должен осуществляться технически квалифицированным лицом, обладающим знаниями в области использования данного изделия. Обратитесь к местному дилеру для получения инструкций по ремонту.

При нормальной эксплуатации и выполнении технического обслуживания и ухода в соответствии с инструкциями производителя (при условии наглядно зафиксированных данных) срок службы данного изделия составляет 5 лет.

### Контрольный перечень для проведения обслуживания:

Проверить и отрегулировать указанные ниже функции с учетом предполагаемого применения. Отремонтировать или заменить все поврежденные или изношенные детали. Проверить:

- Спинка и коленопор регулируются и фиксируются в определенном положении.
- молния & липучка
- Кресло складное.
- затянутость гаек и болтов на изделии;
- изделие на наличие трещин или признаков износа;
- целостность всех маркировок на изделии;

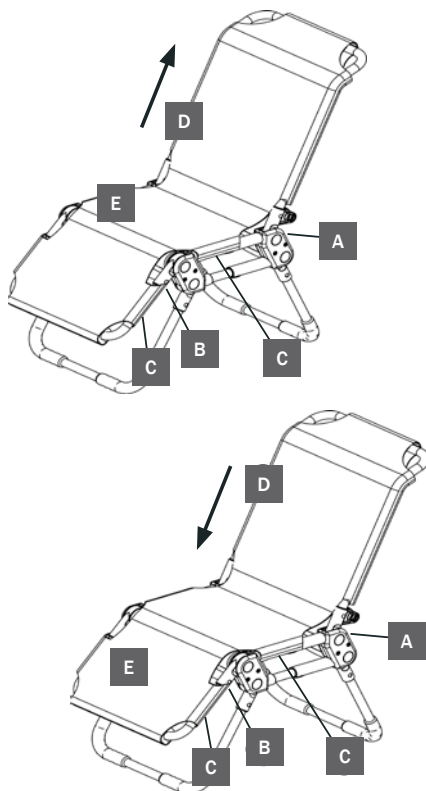
### Снятие и установка чехла

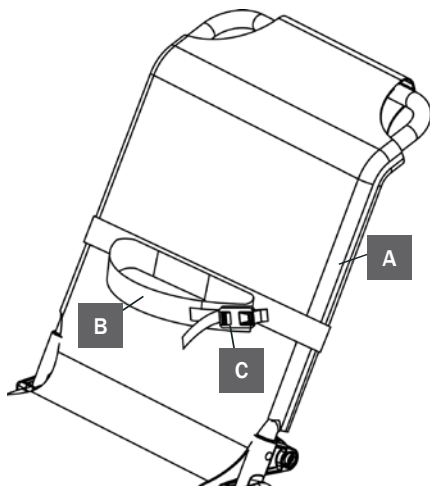
Следуйте приведенным ниже указаниям, чтобы снять и помыть чехол.

- Расстегните молнии чехла на спинке (А) и с нижней стороны сиденья (В).
- Расстегните липучки под креслом (С), после чего чехол можно стянуть (D) с кресла вверх.

Следуйте приведенным ниже указаниям, чтобы снова установить чехол на кресло.

- Наденьте чехол на спинку кресла и натяните его вниз (D). Убедитесь, что мягкие подушки в чехле разместились вокруг рамы.
- Застегните молнию чехла на спинке кресла (А).
- Застегните небольшую деталь чехла с молнией под креслом (В). Убедитесь, что застежки-липучки направлены вниз.
- Поднимите опору для ног (Е), после чего застегните липучки под сиденьем (С) и под опорой для ног (С) можно будет застегнуть. Убедитесь, что мягкие подушки в чехле разместились вокруг рамы.
- Опустите обратно опору для ног (Е) и убедитесь, что липучки застегнуты правильно.



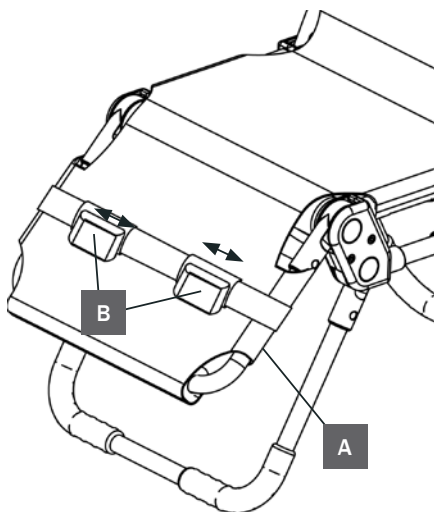


### Лука с ремнем

Следуйте приведенным ниже указаниям, чтобы правильно установить луку и ремень.

1. Закрепите ремень с липучкой под сиденьем (А).
2. Отрегулируйте оптимальное положение луки (В), сдвигая ее вправо или влево

Луку с ремнем нельзя использовать в качестве долговременной опоры. Данная опора предназначена только для облегчения размещения пользователя в кресле.



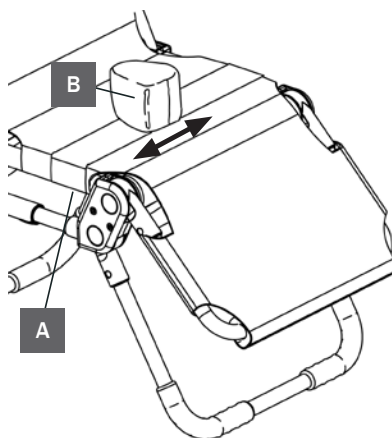
### Комплектующие

#### Опора для тела

Следуйте приведенным ниже указаниям, чтобы правильно установить опору для тела.

1. Закрепите ремень с липучкой вокруг спинки (А).
2. Посадите пользователя в кресло. Закрепите ремень (В) вокруг тела.
3. Затяните опору для тела и закрепите липучкой и пряжкой (С).

Опору для тела нельзя использовать в качестве долговременной опоры. Данная опора предназначена только для облегчения размещения пользователя в кресле.



#### Ремни для фиксации ног

Следуйте приведенным ниже указаниям, чтобы правильно установить ремни.

1. Закрепите ремень с липучкой под опорой для ног (А).
2. Отрегулируйте оптимальное положение ремней (В), сдвигая их вправо или влево. Застегните липучки.

Ремни нельзя использовать в качестве долговременной опоры. Данная опора предназначена только для облегчения размещения пользователя в кресле.

## POLSKI

Gratulujemy zakupu nowego produktu firmy R82 – światowego dostawcy środków pomocy technicznej i urządzeń dla dzieci i młodzieży ze specjalnymi potrzebami. Aby w pełni korzystać z możliwości oferowanych przez ten produkt, należy przeczytać tę User Guide przed przystąpieniem do jego użytkowania oraz zachować ją do późniejszego użycia.

### Przewidziane zastosowanie

Manatee to krzesło kąpielowe dla dzieci z niepełnosprawnością. Budowa krzesła umożliwia właściwą pozycję siedzącą użytkownika. Głębokość siedziska można regulować, dzięki czemu krzesło kąpielowe rośnie razem z dzieckiem. Produkt jest przeznaczony do użytku domowego w łazience.

Produkt jest przeznaczony przede wszystkim dla dzieci niepełnosprawnych, cierpiących na mózgowo porażenie dziecięce. Może on także być używany przez dzieci z zanikiem mięśni, rozszczepem kręgosłupa, urazami rdzenia kręgowego lub zaburzeniami neurologicznymi. Produkt nadaje się do stosowania przez dzieci na poziomach 3-5 w skali GMFCS.



### Deklaracja zgodności

Produkt jest zgodny z wymaganiami rozporządzenia dotyczącego wyrobów medycznych (2017/745). Znak CE musi zostać usunięty w przypadku przebudowy produktu, używania go w połączeniu z produktem innego producenta lub używania innych niż oryginalne części zamienne oraz wyposażenie firmy R82. Ponadto, produkt ten spełnia następujące wymagania:

- EN 12182
- ISO 17966



### Utylizacja

Gdy produkt osiąga kres swojej żywotności, należy go zdemontować dzieląc na rodzaje materiałów, tak aby części mogły zostać poddane recyklingowi lub zutilizowane w odpowiedni sposób. Jeśli wystąpi taka potrzeba, można skontaktować się z lokalnym sprzedawcą, aby precyzyjnie określić każdy rodzaj materiału. Można skontaktować się lokalnymi organami administracji, aby uzyskać informacje dotyczące możliwości poddania produktu recyklingowi w sposób przyjazny dla środowiska.

### Akcesoria i części zapasowe

Produkty firmy R82 mogą być dostarczane z różnymi akcesoriami odpowiednimi do potrzeb poszczególnych użytkowników. Części zamienne mogą być dostarczane na zamówienie. Należy odszukać konkretne akcesoria na naszej stronie internetowej lub skontaktować się z lokalnym sprzedawcą, aby uzyskać więcej informacji.

### Gwarancja R82

R82 oferuje 2-letnią gwarancję w razie wystąpienia wad wykonania i materiałów oraz 5-letnią gwarancję na uszkodzenie metalowej ramy spowodowane wadliwymi spawami. Gwarancja przestaje obowiązywać, jeśli klient, który jest odpowiedzialny za serwisowanie i/lub codzienną konserwację urządzenia, nie przestrzega wytycznych i terminów określonych przez dostawcę oraz podanych w User

Guide. Więcej informacji można uzyskać na stronie internetowej firmy R82 w sekcji „download”.

Gwarancja przyznawana jest wyłącznie w kraju, w którym zakupiono produkt oraz jeśli można go zidentyfikować poprzez numer seryjny. Gwarancja nie obejmuje przypadkowych uszkodzeń, w tym szkód wyrządzonych wskutek niewłaściwego użytkowania lub zaniedbania. Gwarancja nie obejmuje również elementów eksploatacyjnych, np. opon lub tapicerki, które podlegają normalnemu zużyciu i należy je okresowo wymieniać.

Gwarancja wygasa w przypadku zastosowania nieoryginalnych części/akcesoriów lub konserwacji, napraw lub przeróbek produktu niezgodnie z wskazówkami i okresami określonymi przez dostawcę i/lub opisanymi w User Guide. Firma R82 zastrzega sobie prawo do kontroli produktu, który jest reklamowany, oraz odpowiedniej dokumentacji przed uwzględnieniem roszczeń gwarancyjnych oraz decyzją, czy wymienić lub naprawić wadliwy produkt. Do obowiązków klienta należy zwrot produktu, wobec którego wnosi roszczenie gwarancyjne, pod dany adres, gdzie zostało zakupione.

### Informacje dotyczące przedsprzedaży

- Support.r82.org

### Bezpieczeństwo

Oznaczeń, symboli i instrukcji umieszczonych na produkcie nie wolno zasłaniać ani usuwać; muszą one być obecne i czytelne przez cały czas użytkowania produktu. Nieczytelne lub zniszczone oznaczenia, symbole lub instrukcje należy natychmiast wymienić. W tej sprawie należy się skontaktować z lokalnym sprzedawcą.

W przypadku wystąpienia zdarzenia niepożądanego w związku z urządzeniem należy to zgłosić w odpowiednim czasie do lokalnego sprzedawcy i właściwego organu krajowego. Lokalny sprzedawca przekaze informacje producentowi.

### Opiekun

- Przed rozpoczęciem użytkowania urządzenia należy dokładnie przeczytać wszystkie instrukcje oraz zachować je do przyszłego użytku. Nieprawidłowe użytkowanie produktu może spowodować poważne obrażenia użytkownika
- Ten produkt zawiera małe części, które mogą stanowić zagrożenie udławieniem, jeśli zostaną usunięte z miejsca, w którym zostały umieszczone
- Przy podnoszeniu zawsze należy stosować odpowiednie techniki i środki
- Nie wolno zostawiać użytkownika urządzenia bez nadzoru. Należy zapewnić stały nadzór osoby dorosłej

- Naprawy/wymiany części muszą być wykonywane wyłącznie przy użyciu nowych, oryginalnych części R82 oraz zgodnie z wytycznymi i okresami konserwacji zalecanymi przez dostawcę
- Jeżeli istnieje jakakolwiek wątpliwość co do dalszego bezpiecznego korzystania z produktu R82, albo uszkodzą się jakieś części, należy przerwać użytkowanie produktu i jak najszybciej skontaktować się z lokalnym sprzedawcą

### Środowisko

- Należy zwrócić uwagę na temperaturę powierzchni produktu przed umieszczeniem w nim użytkownika. Dotyczy to przede wszystkim użytkowników ze skórą niewrażliwą na temperaturę. Jeśli temperatura powierzchni produktu jest wyższa niż 41 °C, przed użyciem należy poczekać, aż ulegnie obniżeniu

### Użytkownik

- Jeśli ciężar użytkownika jest bliski maksymalnemu obciążeniu urządzenia i/ lub wykonuje wiele mimowolnych ruchów, np. kołysanie, należy rozważyć większe urządzenie o wyższym dopuszczalnym obciążeniu lub inny produkt R82
- Głowa użytkownika musi zawsze znajdować się w obrębie górnej części ramy

### Produkt

- Należy wykonać wszystkie ustawienia pozycji produktu i akcesoriów oraz sprawdzić przed rozpoczęciem użytkowania, czy wszystkie pokrętła, śruby i klamry są prawidłowo przymocowane. Wszystkie narzędzia należy trzymać poza zasięgiem dzieci
- Przed umieszczeniem w nim użytkownika należy upewnić się, czy urządzenie jest stabilne
- Sprawdzić, czy zamki zostały prawidłowo zasunięte.
- Po zakończeniu regulacji sprawdzić, czy wszystkie przyciski zwalniające wróciły na właściwe miejsce
- Upewnić się, że antypoślizgowe gumowe nakładki funkcjonują prawidłowo
- Sprawdzić, czy rzepy przy pokryciu, pasach i akcesoriach zostały prawidłowo zapięte
- Dołączone pasy i akcesoria nie mogą być używane jako długoterminowe zabezpieczenie. Mogą jedynie zostać wykorzystane jako dodatkowa pomoc przy pozycjonowaniu.

### Informacje dotyczące czynności serwisowych

Obowiązek konserwacji urządzenia medycznego leży całkowicie po stronie jego właściciela. Brak wykonywania konserwacji urządzenia zgodnie z instrukcją może spowodować utratę gwarancji. Ponadto może zagrazić warunkom klinicznym i bezpieczeństwu użytkowników lub ich opiekunów. Jeśli produkt jest wystawiony na działanie wody z zawartością chloru, może wystąpić odbarwienie części wykonanych z plastiku i materiału.

### Pierwszy dzień

- Przed rozpoczęciem użytkowania dokładnie przeczytać instrukcję obsługi dla użytkownika i przechowywać ją w bezpiecznym miejscu do późniejszego użycia

### Po każdym użyciu

- Przemycić produkt wodą, by usunąć resztki mydła i materiałów organicznych.

### Codziennie

- Antypoślizgowe gumowe nakładki wyczyścić za pomocą szmatki nasączonej ciepłą wodą oraz łagodnym detergentem, a następnie wysuszyć
- Dokonać inspekcji wizualnej. Naprawić lub wymienić uszkodzone lub zużyte części
- Sprawdzić wszystkie mocowania i klamry pod kątem występowania oznak zużycia części
- Sprawdzić, czy wszystkie mocowania znajdują się na miejscu i są poprawnie przytwierdzone
- Zachować ostrożność podczas regulacji, aby nie przekraczać oznaczeń ustawień maksymalnych

### Co miesiąc

- Sprawdzić wszystkie śruby i nakrętki w urządzeniu i dokręcić je, aby uniknąć niepotrzebnych uszkodzeń
- Nasmarować wszystkie ruchome części. Zalecamy stosowanie profesjonalnego systemu smarowania

### Co 6 miesięcy

- Skontrolować ramę pod kątem występowania pęknięć lub oznak zużycia części oraz wykonać coroczny serwis. Nie wolno używać urządzenia, które wydaje się nie spełniać norm lub jest uszkodzone

### Dezynfekcja

Produkt może zostać poddany dezynfekcji z wykorzystaniem środka dezynfekującego w postaci 70% roztworu izopropanolu. Zaleca się usunięcie wszelkiej pozostałości i zanieczyszczeń

Przed rozpoczęciem dezynfekcja

Należy zdemontować i oddzielnie umyć następujące elementy: Pokrowiec, Materiał wyścielający & Akcesoria



## Mycie

A pokrowiec można prać w pralce w temperaturze maks. 50° z użyciem łagodnego detergentu.

### Urządzenie do mycia

Produkt ten może być myty przez 10 minut w temperaturze 60o, używając delikatnego detergentu lub środka dezynfekującego bez dodatku chloru w maszynie zaprojektowanej do mycia urządzeń medycznych. Przed ponownym użytkowaniem produkt musi wyschnąć.

Produkt ten może być myty przez 3 minut w temperaturze 85o, używając delikatnego detergentu lub środka dezynfekującego bez dodatku chloru w maszynie zaprojektowanej do mycia urządzeń medycznych. Przed ponownym użytkowaniem produkt musi wyschnąć.

### Przed rozpoczęciem mycia

Należy zdemontować i oddzielnie umyć następujące elementy: Pokrowiec, Materiał wyścielający & Akcesoria

### Okresy serwisowania

Szczegółową kontrolę urządzenia należy przeprowadzać co 12 miesięcy (co 6 miesięcy w przypadku ciężkich użytkowników) oraz za każdym razem, gdy urządzenie zostanie ponownie przystosowane do użytku. Kontrola powinna być przeprowadzana przez kompetentną osobę, wyszkoloną w zakresie użytkowania urządzenia. Skontaktuj się z lokalnym dystrybutorem w sprawie instrukcji.

Okres użytkowania urządzenia normalnie trwa 5 lat, jeśli wszystkie czynności konserwacyjne i serwisowe są wykonywane zgodnie z instrukcjami producenta i są one udokumentowane.

### Lista kontrolna czynności serwisowych:

Należy sprawdzić i odpowiednio wyregulować następujące funkcje zgodnie z ich przeznaczeniem. Uszkodzone lub zużyte części muszą zostać naprawione lub wymienione. Należy sprawdzić:

- Możliwość regulacji oparcia i podnóżka oraz zablokowania w wybranym położeniu.
- Zamek błyskawiczny & Velcro
- Krzesło można złożyć.
- Nakrętki i śruby w obrębie produktu pod kątem prawidłowego dokręcenia.
- Stan techniczny produktu pod kątem pęknięć lub oznak zużycia części.
- Wszystkie etykiety na produkcie pod kątem oznak ich naruszenia.

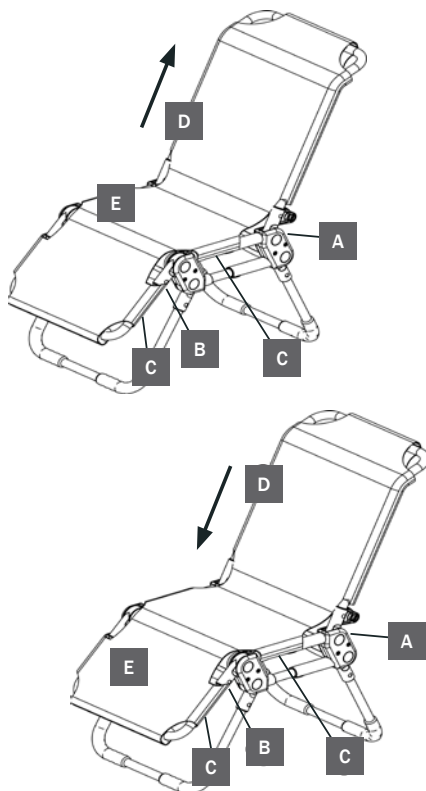
## Montaż i demontaż pokrycia

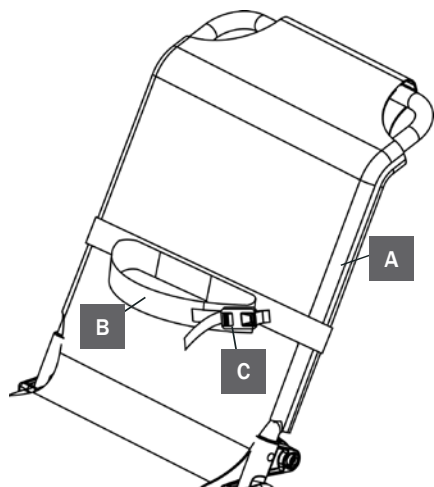
W razie konieczności demontażu i uprania pokrycia należy postępować zgodnie z poniższą instrukcją:

1. Rozpiąć pokrycie w tylnej części krzesła (A) oraz pod siedziskiem (B)
2. Odpiąć rzepy pod krzesłem (C) i podnieść pokrycie (D), a następnie zdjąć pokrycie z krzesła

Aby ponownie zamontować pokrycie, należy postępować zgodnie z poniższą instrukcją:

1. Założyć pokrycie na krzesło i ściągnąć je w dół (D). Upewnić się, że piankowe poduszki znajdujące się w pokryciu zostały umieszczone wokół ramy
2. Zapiąć pokrycie w tylnej części krzesła (A)
3. Zamontować mały element pokrycia pod krzesłem (B) za pomocą zamka. Upewnić się, że rzepy zostały skierowane w dół
4. Podnieść podpórki pod nogi (E) i zapiąć rzepy pod siedziskiem (C) i pod podpórką pod nogi (C). Upewnić się, że piankowe poduszki znajdujące się w pokryciu zostały umieszczone wokół ramy
5. Opuścić podpórki pod nogi (E) i upewnić się, że rzepy zostały prawidłowo zapięte



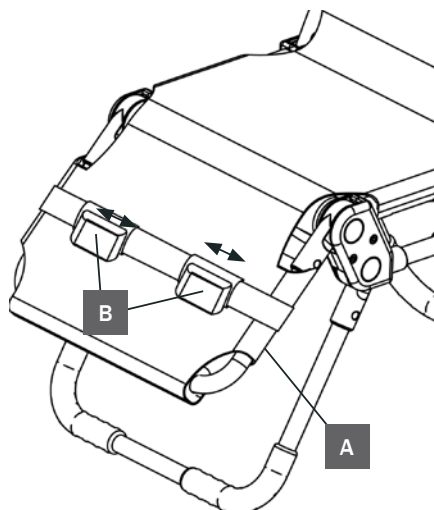


### Uchwyt z pasem

Aby prawidłowo zamontować uchwyt i pas, należy postępować zgodnie z poniższą instrukcją:

1. Zapiąć rzepy pasa pod siedziskiem (A)
2. Dopasować uchwyt (B) po bokach, aby uzyskać optymalną pozycję

Uchwyt z pasem nie może być używany jako długoterminowe zabezpieczenie. Został zaprojektowany jedynie jako pomoc przy pozycjonowaniu na krześle kąpielowym.



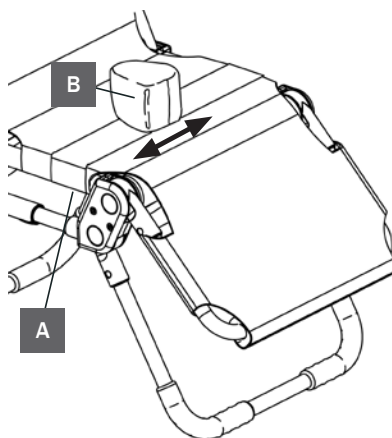
### Akcesoria

#### Pas stabilizujący ciało

Aby prawidłowo zamontować pas stabilizujący ciało, należy postępować zgodnie z poniższą instrukcją:

1. Zapiąć rzepy pasa w tylnej części krzesła (A)
2. Umieścić użytkownika na krześle. Umieścić pas (B) dookoła ciała użytkownika
3. Zaciśnąć pas za pomocą rzepów i klamry (C)

Pas stabilizujący ciało nie może być używany jako długoterminowe zabezpieczenie. Został zaprojektowany jedynie jako pomoc przy pozycjonowaniu na krześle kąpielowym.



#### Pasy stabilizujące nogi

Aby prawidłowo zamontować pasy stabilizujące nogi, należy postępować zgodnie z poniższą instrukcją:

1. Zapiąć rzepy pasów pod podpórką pod nogi (A)
2. Dopasować pasy (B) po bokach, aby uzyskać optymalną pozycję. Zapiąć pasy za pomocą rzepów

Pasy stabilizujące nogi nie mogą być używane jako długoterminowe zabezpieczenie. Zostały zaprojektowane jedynie jako pomoc przy pozycjonowaniu na krześle kąpielowym.

## ČESKY

Oceňujeme, že jste se rozhodli pro výrobek společnosti R82, která je světovým výrobcem technických pomůcek a zařízení pro invalidní děti a mládež. Abyste využili všech výhod a možností, které Vám tento produkt nabízí, doporučujeme Vám pročíst si před použitím tyto User Guide a uschovat je k nahlédnutí v budoucnosti.

### Určeným účelem

Manatee je koupací židle vhodná pro děti s postižením. Židle je navržena tak, aby uživatel seděl přesně ve správné poloze. Hloubku sedáku lze nastavit, takže židle poroste s dítětem. Produkt je určen k použití v interiéru, v místnosti s koupelnou.

Cílovou skupinou pro tento produkt jsou postižené děti s mozkovou obrnou. Zařízení mohou používat také děti se svalovou dystrofií, rozštěpem páteře, poraněním míchy a neurologickými poruchami. Produkt je vhodný pro děti s úrovní GMFCS 3–5.



### Prohlášení o shodě

Tento výrobek splňuje požadavky nařízení Evropského parlamentu a Rady 2017/745 o zdravotnických prostředcích. Značka CE musí být odstraněna při přestavbě výrobku, při jeho užití v kombinaci s výrobkem jiného výrobce nebo při použití jiných než původních náhradních a spojovacích dílů R82. Tento výrobek rovněž splňuje požadavky v souladu s:

- EN 12182
- ISO 17966



### Informace o recyklaci

Pokud produkt dosáhne konce své životnosti, měl by být rozebrán a roztržěn dle materiálů, takže materiály mohou být recyklovány. V případě potřeby kontaktujte Vašeho místního distributora a vyžádejte si specifikaci jednotlivých materiálů. Kontaktujte prosím místní úřady pro informace o možnostech recyklace nebo likvidace použitého produktu způsobem, šetrným k životnímu prostředí.

### Doplňky a náhradní díly

Výrobky R82 mohou být dodávány s celou řadou doplňků, které se volí individuálně dle potřeb uživatele. Náhradní díly se dají objednat. Volte doplňky dle nabídky na našich webových stránkách nebo kontaktujte místního dodavatele.

### R82 Záruka

Společnost R82 poskytuje 2letou záruku na vady materiálu a vady vzniklé při výrobě a 5letou záruku na zlomení kovového rámu v důsledku vadných svárů. Záruka může být nepříznivě ovlivněna zanedbáním odpovědnosti ze strany zákazníka při provádění servisu či každodenní údržby v souladu s pokyny a v intervalech předepsaných dodavatelem či uvedených v návodu. Další informace naleznete na domovské stránce společnosti R82 v části Ke stažení.

Záruka platí pouze v zemi, ve které byl produkt zakoupen a jestliže jej lze identifikovat podle výrobního čísla. Záruka se nevztahuje na náhodné poškození včetně poškození způsobené nesprávným použitím či nedbalostí. Záruku nelze rozšířit na díly, jež nejsou odolné, podléhají běžnému opotřebení a vyžadují pravidelnou výměnu.

Záruka ztrácí platnost použitím jiných než originálních dílů či příslušenství, anebo jestliže výrobek nebyl udržován, opravován či upravován v souladu s pokyny a intervaly předepsanými dodavatelem nebo dle informací uvedených v uživatelské příručce. Společnost R82 si před uznáním garančních nároků vyhrazuje právo na prohlídku výrobku s příslušnou dokumentací a na rozhodnutí, zda bude vadný výrobek vyměněn či opraven. Výrobek, na nějž je uplatňován garanční nárok, je zákazník povinen předat na adresu místa nákupu.

### Předprodejní informace

- [Support.r82.org](http://Support.r82.org)

## Bezpečnost

Znaky, symboly a instrukce umístěny na tomto zařízení nesmějí být nikdy trvale zakryty nebo odstraněny a musí být udržovány v původním stavu po celou dobu životnosti výrobku. Ihned vyměňte nebo opravte poškozené znaky, symboly a instrukce. Kontaktujte Vašeho místního dodavatele pro bližší informace.

V případě nepříznivé události související se zařízením je třeba závady včas oznámit místnímu prodejci a příslušnému vnitrostátnímu orgánu. Místní prodejce předá informace výrobci.

## Pečovatel

- Před používáním si pozorně přečtěte návod a instrukce a uchovejte je i pro budoucí používání. Nesprávné používání tohoto výrobku může zapříčinit vážné poranění uživatele
- Tento produkt obsahuje malé části, které by mohly představovat riziko udušení, pokud by se dostaly z určeného místa
- Vždy používejte správnou techniku zvedání a správné pomůcky pro tento účel
- Nikdy nenechávejte uživatele v zařízení bez dozoru. Zajistěte stálý dozor dospělým člověkem
- Při opravách musí být použity pouze nové originální díly R82 v souladu s návodem a musí být dodržovány intervaly prohlídek předepsány výrobcem
- Pokud máte pochybnost o bezpečném používání výrobku, okamžitě jej přestaňte používat a ihned kontaktujte Vašeho místního dodavatele

## Prostředí

- Před umístěním uživatele na produkt zkontrolujte povrchovou teplotu produktu. Zejména to platí u uživatelů s necitlivou kůží, kteří necítí teplo. Pokud povrchová teplota překročí 41 °C, před použitím nechte produkt vychladnout.

## Uživatel

- Pokud se hmotnost uživatele blíží maximální povolené a nebo má nekontrolovatelné pohyby jako např. kymáčení se, větší velikost s vyšší povolenou maximální zátěží nebo jiné zařízení R82 by mělo být zváženo
- Hlava uživatele musí být vždy pod horním okrajem rámu.

## Výrobek

- Dbejte správného nastavení výrobku a doplňků a ujistěte se, že všechny šrouby, matice a spony jsou správně dotaženy a zabezpečeny. Nářadí uchovávejte mimo dosah dětí
- Ujistěte se o stabilitě zařízení před umístěním uživatele do něj
- Pravidelně kontrolujte, že zipy (A) + (B) jsou správně spojeny
- Zkontrolujte, zda po požadovaném nastavení všechna uvolňovací tlačítka zapadla do své pozice
- Přesvědčte se, zda jsou funkční protiskluzové gumové kryty
- Zkontrolujte plášť, pásy a doplňky a ujistěte se, že suché zipy jsou upevněny bezpečně
- Příložené pásy a doplňky nemohou být používány dlouhodobě, mohou být použity pouze jako extra pomoc při pokládání uživatele do křesla

## Servisní informace

Údržba zdravotnického zařízení je zcela na odpovědnosti majitele daného zařízení. Pokud nebude údržba zařízení prováděna dle pokynů, může to vést ke zneplatnění záruky, vztahující se na dané zařízení. Dále může nedostatečná údržba tohoto zařízení poškodit klinický stav nebo bezpečnost uživatelů a / nebo osob o ně pečujících.

Pokud bude produkt vystaven působení vody z vodovodu obsahující chlór, může dojít k odbarvení plastů a látek.

### 1. den

- Před použitím si pečlivě přečtěte všechny pokyny k použití návodu a uschovejte je, abyste do nich mohli nahlédnout v budoucnu.

### Po každém použití

- Výrobek opláchněte vodou, abyste odstranili zbytky mýdla a organických látek.

### Každodenně

- Očistěte protiskluzové gumové kryty pomocí vlhkého hadříku namočeným v teplé vodě s jemným čisticím prostředkem a poté je otřete do sucha
- Vizualní kontrola. Opravte či vyměňte všechny poškozené nebo opotřebené díly
- Kontrolujte známky opotřebení na všech úchytech a přezkách
- Dávejte pozor, aby byly všechny úchyty na místě a správně osazené
- Před nastavením věnujte pozornost všem značkám, označujícím maxima

### Měsíčně

- Všechny matice a šrouby na tomto produktu je třeba zkontrolovat a dotáhnout, abyste se vyhnuli závadám
- Naklápací části mažte. Doporučujeme používat profesionální lubrikační systém

### Každých 6 měsíců

- Prohlédněte rám zařízení zda nevykazuje poškození nebo praskliny nebo náznaky abnormálního opotřeben. Nikdy nepoužívejte výrobek, který tyto závady vykazuje

### Dezinfekce

Produkt bez doplňků lze dezinfikovat v 70% dezinfekčním roztoku IPA. Před dezinfekcí doporučujeme z produktu odstranit zbytky a nečistoty hadříkem namočeným v teplé vodě s jemným čisticím prostředkem/mýdlem neobsahujícím chlór.

Před dezinfekce

Odstraňte následující součásti a vyčistěte je zvlášť: Potah, Čalounění & Doplňky

### Údržba

Poduška je odnímatelná a potah lze vyprat v pračce při max. teplotě 50 °C a použitím šetrného pracího prostředku.

### Omyvatelné zařízení

Tento výrobek je možno strojně mít po dobu 10 minut při 60 °, při použití neagresivních mycích prostředků bez obsahu chlóru. K mytí musí být použito zařízení k tomu určené. Po mytí nechte výrobek před dalším používáním uschnout.

Tento výrobek je možno strojně mít po dobu 3 minut při 85 °, při použití neagresivních mycích prostředků bez obsahu chlóru. K mytí musí být použito zařízení k tomu určené. Po mytí nechte výrobek před dalším používáním uschnout.

### Před mytím

Odstraňte následující součásti a vyčistěte je zvlášť: Potah, Čalounění & Doplňky

### Servisní intervaly

Detailní kontrola zařízení se musí provádět každých 12 měsíců (u hmotnějších uživatelů každých 6) a pokaždé musí být zařízení schváleno pro další používání. Kontrolu musí provádět technicky zdatný pracovník, který je k tomuto proškolen. Kontaktujte Vašeho místního dodavatele za účelem opravy.

Životnost výrobku je normálně 5 let, pokud se dodržují všechny kontroly a servisy v souladu s návodem výrobce.

### Seznam kontrol při servisu:

Zkontrolujte následující funkce a seřídte je k určenému účelu. Opravte nebo vyměňte všechny poškozené nebo opotřebované díly. Zkontrolujte následující body:

- Opěrka zad a opěrka nohou jsou nastavitelné a lze je zajistit v požadované poloze.
- zip(y) & Velcro
- Židli je možno složit/rozložit
- Šrouby a matky na produktu jsou dotaženy.
- Zkontrolujte produkt ohledně prasklin a známek opotřeben.
- Všechny štítky na produktu jsou nedotčené.

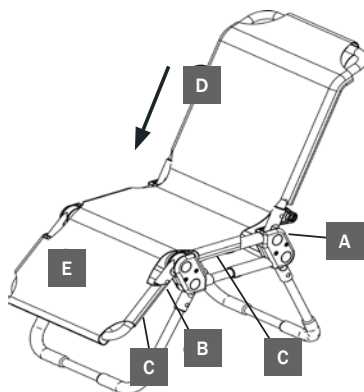
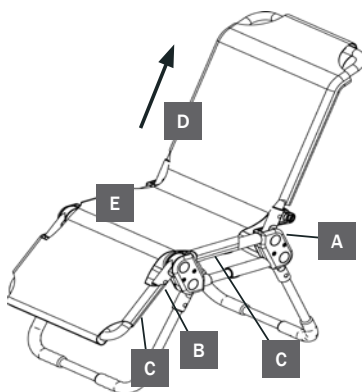
### Navlečení a odejmutí potahu

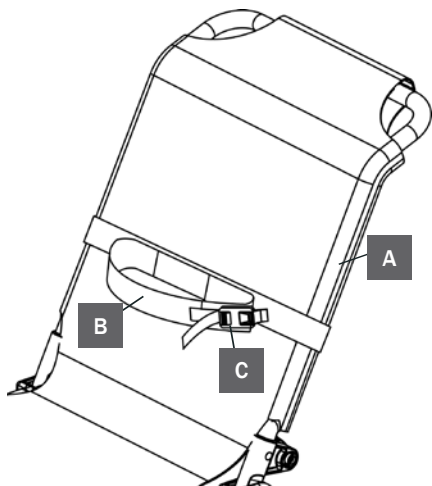
Pro stažení potahu před praním se řiďte následujícími pokyny:

1. Rozepněte zip potahu na opěradle (A) a pod sedadlem (B)
2. Otevřete suchý zip pod křeslem (C) a stáhněte potah (D)

Pro natažení potahu na křeslo se řiďte následujícími pokyny:

1. Stáhněte potah přes opěradlo (D). Ujistěte se, že pěnové polštáře v potahu jsou umístěny kolem rámu
2. Zavřete zip potahu na opěradle křesla (A)
3. Nandujte malý potah se zipem pod křeslo (B). Ujistěte se, že suchý zip směřuje směrem dolů
4. Překlopte opěrku nohou (E) a poté použijte suchý zip pod sedadlem (C) a pod opěrkou nohou (C). Ujistěte se, že pěnové polštáře v potahu jsou na rámu
5. Sklopte opěrku nohou (E) a ujistěte se, že suchý zip je upevněn správně



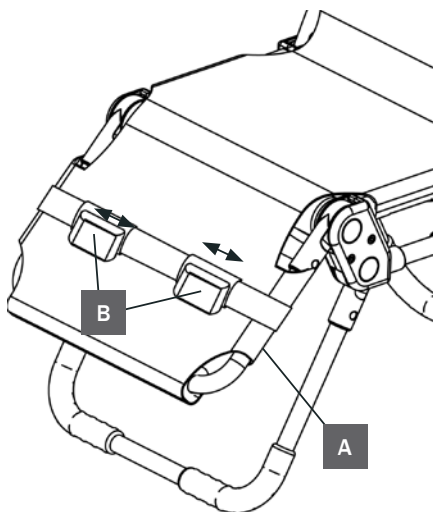


### Rozsocha s pásem

Pro montáž rozsochy s pásek se řiďte následujícími instrukcemi:

1. Upevněte pás na suchý zip pod sedadlem (A)
2. Nastavte rozsochu (B) do optimální polohy

Rozsocha s pásem nesmí být použita jako dlouhodobá pomůcka. Tato opěra je navržena pro snazší umístění uživatele do křesla.



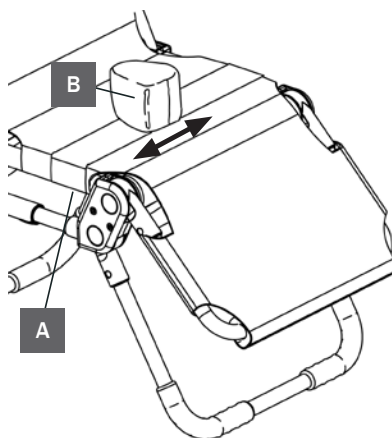
### Doplňky

#### Podpěra těla

Pro správnou montáž podpory těla se řiďte následujícími instrukcemi:

1. Upevněte pás suchým zipem okolo opěradla (A)
2. Položte uživatele do křesla. Připevněte pás (B) okolo těla
3. Utáhněte podpěru těla suchým zipem a přezkou (C)

Podpěra těla nesmí být použita jako dlouhodobá opěra. Je navržena pouze pro snazší umístění uživatele do křesla.



#### Pásy pro kontrolu nohou

Pro správnou montáž pásů se řiďte následujícími pokyny:

1. Upevněte pás suchým zipem pod opěrkou nohou (A)
2. Nastavte pásy (B) po stranách do požadované polohy. Upevněte suchým zipem

Pásy nesmí být použity jako dlouhodobá pomůcka. Jsou navrženy pro snazší umístění uživatele do křesla.

## 中國

恭喜您已经购买了R82的产品，R82是一家为儿童和青少年生产专业辅具器械的公司。为了最大限度地从该产品中受益，请您务必在使用产品前阅读此操作手册。

## 用途及适应症

Manatee 是适用于残疾儿童的洗浴座椅。该座椅的设计目的在于让使用者坐姿完全正确。该座椅的深度可以调节，使其能够适应不断长大的儿童。本产品适合户内浴室使用。

此设备的目标人群是患脑瘫（CP）的残障儿。此外，患有肌肉萎缩、脊柱裂、脊髓损伤和神经功能损伤的儿童也适合使用本设备。本产品适合 GMFCS 级别为 3-5 的儿童。



## 符合标准声明

本品符合医疗器械法规（2017/745）的要求。处于下列情况时，必须清除 CE 标记：重建产品；与其他制造商的产品结合使用；或使用原装 R82 以外的备件或配件。另外，本品也符合下述要求：

- EN 12182
- ISO 17966



## 产品处理

当产品使用年限达到其寿命时，应按原料类型进行分离，以使其能正确地回收和处理。如果有需要，请联系您当地的代理商/经销商，询问各部件的详细描述，处于环保考量，产品回收处理时请联系当地环保部门。

## 零部件

R82的产品可以遵循单个用户的个别需求选配不同的附件。附件可依要求订购，您可以通过我们的官网或联系当地的经销商获取这些附件的更多信息。

## R82质保

R82 对工艺和材料上的缺陷提供 2 年期限的保修，对焊接缺陷造成的金属框破裂提供 5 年期限保修。- 若产品的使用和/或保养未按照使用手册的要求去做，所产生的由使用者造成的问题，则不在质保范围。更多详情，您可登陆R82的官方网站进行相关下载。

该质保仅在产品所购国家/地区有效，产品的序列号清晰可辨。意外损坏时质保无效，例如错误使用造成的损坏。质保不包含消耗品，例如轮胎和垫衬物等，上述产品日常使用时会造成正常的磨损，从而需要周期性地更换。

质保在以下情形时失效：使用非R82原厂配件；设备未按照使用说明进行维修和定期检查维护。涉及质保，R82有权对设备进行检验确认，以确定是否需要更换或维修。顾客需要将问题产品发回至购买地。该质保由R82或其代理商提供。

## 预售信息

- Support.r82.org

## 安全性

产品上的任何符号、标记及说明在产品的整个使用期限内，不得撕毁、覆盖，须始终保持其完好、清晰。如有损毁，请立刻联系当地代理商及时更换。

如发生与设备有关的不良事件，应及时报告本地经销商和所在国家主管部门。本地经销商会将信息转发给制造商。

## 护理人员

- 使用产品前，请务必仔细阅读所有说明，并保存好以便将来参照。对产品的不当使用，可能会给使用者带来严重的伤害。
- 本产品包含的小尺寸部件如从其本来位置取下，则有可能造成窒息危险
- 对产品高低的调节请依使用说明进行。
- 确保使用者在使用时有人照看，当儿童使用时，务必有成人看管。
- 维修或重新安装部件时，请务必使用R82公司原厂的配件或装置，并且按照安装说明或供应商规定的方法进行安装。
- 如果您对继续使用产品的安全性有任何疑问，或产品有任何部分出现故障时，请立即停止使用并尽快和当地供应商取得联系。

## 环境

- 在挪入乘坐者之前，查看产品表面温度，尤其对于皮肤不敏感的乘坐者，因为他们无法感觉到热。如果表面温度超过 41°C，则等产品冷却后再使用

## 使用者

- 如果使用者的体重接近产品的最大载重，或者使用者有许多不自主的动作，例如摇摆等，应考虑使用更大尺寸的产品或R82系列的其他产品。
- 使用者的头部务必保持在框架顶部包围之内

## 产品

- 使用前，请先根据孩子的尺寸进行调整并安装相应配件，确保所有的螺丝、把手、搭扣都已拧紧。确保所有工具都远离孩子。
- 在把使用者放进产品前，请务必确保产品的稳定性。
- 请定期检查拉链是否安全关闭。
- 调整之后，请检查所有释放按钮是否已啮合到位
- 请确保防滑橡胶盖工作正常
- 检查椅套、皮带和附件，并确保魔术贴固定牢靠
- 封闭的皮带和附件不能用作长期支撑，而是只能在放置用户时用作额外帮助。

## 保养信息

医疗设备的保养是设备所有者的义务，如果没有按照说明对设备进行保养，将不享受质保；另外，不对设备进行保养可能会对用户的使用或安全性以及护理人员带来危害。

如果该产品要使用含氯自来水，则可能发生塑料和纤维变色。

## 第一次

- 使用前请仔细阅读用户手册，并将其保存在安全的地方，以备将来参考

## 每次使用后

- 用水冲洗产品，以去除肥皂和有机材料残留物。

## 日常

- 使用蘸有温水的抹布与温和的清洁剂清洁防滑橡胶盖，然后将它们擦干
- 通过外观检查，及时修理或更换损坏的或磨损的零件。
- 检查所有固定处和带扣看有无零配件磨损的迹象。
- 确保所有的紧固件都在恰当的位置并正确地安装了。
- 调节前要了解所有有最大标记的地方（调节上限）。

## 每月

- 确保产品上所有的螺母和螺栓都是拧紧的，以避免不必要的伤害。
- 给能摆动的部位注油，我们建议用专业的润滑油。

## 每6个月

- 检查基底框架有无裂痕或零配件磨损，不要使用存在安全隐患的产品。

## 消毒

带和的轮椅可使用 70% 的 IPA 消毒液进行消毒。建议使用在温水中浸湿的布和不含氯的温和洗涤剂/肥皂擦掉所有残余物和灰尘，并在晾干后再进行消毒。

## 前消毒

拆除以下组件并单独清洁： 垫，缓冲垫 & 附件

## 洗涤

垫套可在水温不超过 50° 的洗衣机中使用温和洗涤剂清洗。



### 洗涤机

该产品可用于在医疗设备洗涤机中60℃进行洗涤10分钟，使用温和的洗涤剂或无氯消毒剂。再次使用前请晾干。

该产品可用于在医疗设备洗涤机中85℃进行洗涤3分钟，使用温和的洗涤剂或无氯消毒剂。再次使用前请晾干。

### 清洗前

拆除以下组件并单独清洁： 垫， 缓冲垫 & 附件

### 保养周期

产品的详细检测必须每年进行一次（对于体重较重使用者每半年进行一次），检修后再使用。检修必须是由经培训合格的技术人员来完成。 请联系您当地的经销商对维修的说明。

正常情况下，如果按照厂商的说明书和指南对产品进行维护和保养，产品的使用寿命是5年。

### 保养核对清单：

按照以下功能的预定用途进行检查和调整。维修或更换任何损坏或磨损的部件。请检查：

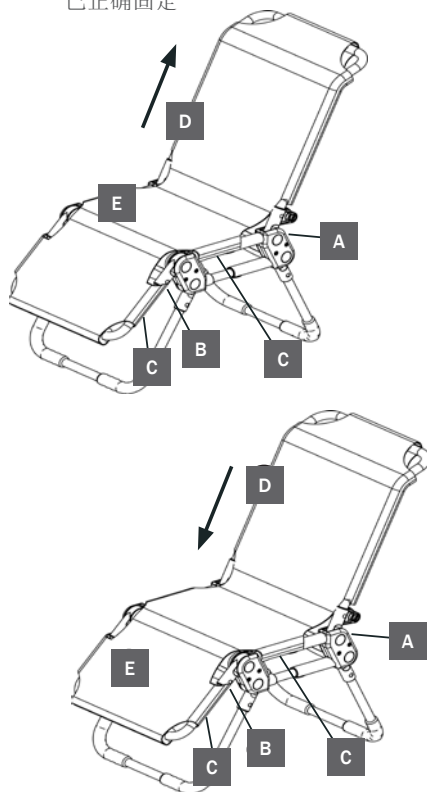
- 靠背和腿部支撑可以调整，并锁在合适位置
- 拉链 & 尼龙搭扣
- 座椅可以折叠/打开
- 产品上的螺母和螺栓是否已拧紧
- 产品有无裂纹或部件磨损的迹象
- 产品上的所有标签是否完整

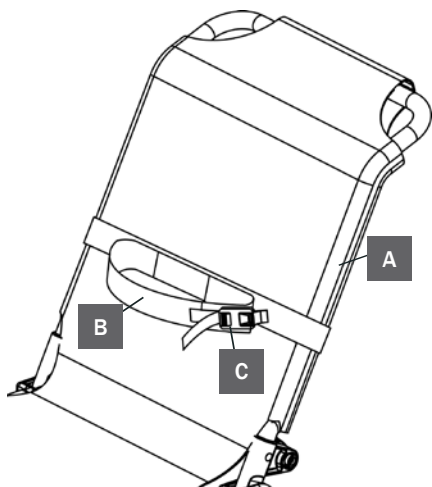
### 拆卸和安装椅套

当需要拆卸椅套进行清洗时，请按照以下说明进行操作：

1. 拉开靠背（A）和座椅（B）下方的椅套的拉链
  2. 打开椅子（C）下面的魔术贴，就可以拉起（D）椅套并从椅子上拆下来
- 按照以下说明可将椅套重新安装到椅子上：

1. 将椅套放在靠背上并拉下来（D）。确保椅套里的泡沫垫放置在框架周围
2. 拉上椅子（A）靠背上的椅套的拉链
3. 用椅子（B）下的拉链安装小椅套件。确保魔术贴指向下边
4. 提起腿部支座（E），可关闭座椅（C）下方和腿部支座（C）下方的的魔术贴。确保椅套里的泡沫垫放置在框架周围
5. 提起腿部支座（E），并确保魔术贴已正确固定





### 有带子的鞍座

请按照以下说明正确安装鞍座和带子：

1. 将带子和座椅（A）下的魔术贴固定
2. 向旁边调整鞍座（B）以便获得最佳位置

有带子的鞍座不能用作长期支座。此支座的设计目的仅限于将用户更轻松地放到椅子上。

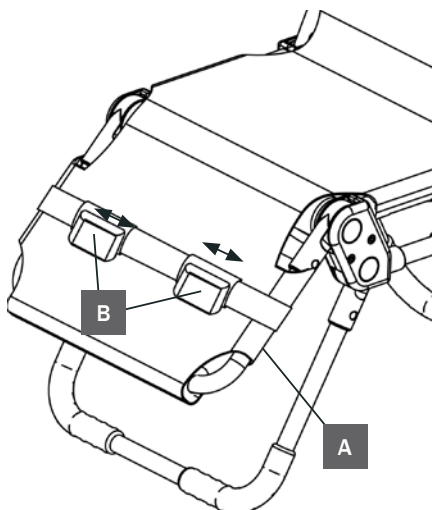
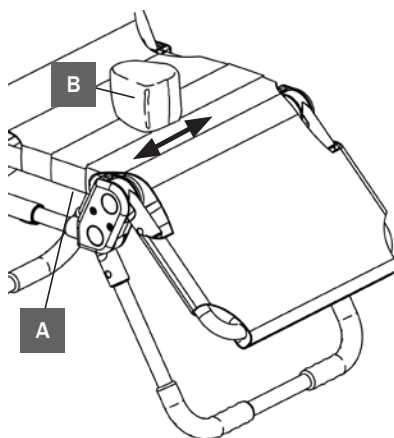
### 附件

#### 身体支座

请按照以下说明正确安装身体支座：

1. 将带魔术贴的带子固定在靠背（A）周围
2. 将用户放在椅子上。将带子（B）安装在身体周围
3. 紧固身体支座和魔术贴与扣环（C）

身体支座不能用作长期支座。此支座的设计目的仅限于将用户更轻松地放到椅子上。



### 用于腿部控制的带子

请按照以下说明正确安装带子：

1. 将带子和腿部支座（A）下的魔术贴固定
2. 向旁边调整带子（B）以便获得最佳位置。与魔术贴固定

带子不能用作长期支座。此支座的设计目的仅限于将用户更轻松地放到椅子上。

## 日本

本製品は、R82社（デンマーク）の長年にわたる経験によって開発されました。ご使用前に本取扱説明書を良くお読みいただき、大切に保管してください。

### 使用目的

Manateeは、障害をお持ちのお子様のための入浴用椅子です。椅子は、ユーザーが最適な座位に正確に座ることができるように設計されています。シーートの奥行きは調整可能で、お子様の成長に合わせて使用することができます。製品は屋内のバスルームで使用できます。

この機器は、脳性麻痺（CP）による障害を有する子どもを対象としています。さらに、筋ジストロフィー、二分脊椎、脊髄損傷、神経学的障害を有する子どもにも、この機器を使用することができます。この製品は、GMFCS レベル 3-5 に該当する子どもに適しています。



### 準拠の宣言

本製品は、医療機器規制(2017/745)の要件に準拠しています。製品の修理、他社製品との併用、または純正のR82予備部品や付属品以外を使用する場合、CEマークを表示することはできません。さらに、本製品は、次の要件に準拠しています：

- ・ EN 12182
- ・ ISO 17966

### 廃棄



廃棄される場合、それぞれの部品を材料別に区分し、リサイクルと廃棄物に適切に分類してください。各材料の正確な情報は、販売店にお問い合わせください。リサイクルに関する情報は、自治体にお問い合わせください。

### アクセサリ・各種部品

R82社製品には、個々のご利用者様のニーズに応じた様々なアクセサリをご用意しております。部品も必要に応じてご注文いただけます。詳しくは、Webサイトで検索するか、販売店にお問い合わせください。

### R82 保証

フレームは製造上の不良に対して2年間、溶接の不良により発生したメタルフレームの破損に対しては5年間の品質保証がなされております。この保証は、本取扱説明書に記載されている正しいご使用方法をお守りいただき、（お客様の責任において）定期的なメンテナンスを受けられていることを前提としております。（消耗品は対象外となります）

保証は、製品を購入した国においてのみ、

適用されます。使用かつ製造番号の確認がとれた場合のみ保証が有効となります。またこの品質保証は、本製品の構成部品の修理又は交換に限定されるもので、その欠陥に付随して起こる又は結果として起こる損害を担保とするものではありません。これは最初の原購入者に限定されます。万一、この保証に基づいて構成部品に欠陥が発見された時は、弊社の選択によりその部品を修理するか交換するかを決定し、無償にてこれを行います。

この保証はR82社製の純正部品が使用されている場合のみ有効で、認定の受けていない業者による修理等で起きた損害や怪我は保証の対象外です。弊社は保証同意前に、その製品又は関連する書類を検査する権利を有しております。

### 事前販売情報

- ・ Support. r82.org

### 安全性

本製品に配置されている、サイン、記号、説明は隠したり、取除いたりせず常に見える状態に保ってください。判読できない、損傷した場合は、すぐに交換又は修復してください。詳しくはお買い求めいただいた販売店にご相談ください。

デバイスに関連して有害事象が生じた場合、そのインシデントは地元のディーラーおよび国の所轄当局に適時に報告する必要があります。地元のディーラーはその情報をメーカーに転送します。

### 介助者

- ・ ご使用前に本取扱説明書を良くお読みいただき、大切に保管してください。誤ったご使用方法はお怪我の原因となります。
- ・ 本製品には、所定位置から取り外された場合に窒息の危険性を引き起こす可能性があります。
- ・ 持上げる際は、正しい方法で行ってください。
- ・ 必ず大人の方の監視下の元でご使用ください。

・ 修理/交換の際は、R82社製純正部品をご使用ください。

・ 安全性の不明な点や、部品に不具合が生じた場合は、直ちにご使用をお止めいただき、販売店にご相談ください。

#### ご利用者様

・ ユーザーが搭乗する前に、製品の表面温度を確認してください。ユーザーの皮膚が無感覚であり、熱を感じる事ができないときは、特に注意してください。表面温度が41°Cを超えるときは、製品の温度が下がってから使用してください。

#### ご利用者様

・ ご利用者様の体重が製品の耐荷重に近い、又は多動な場合は、大きいサイズ又はR82社製他製品をご利用ください。

・ ユーザーの頭部は常にフレームの上部から出ないようにしなければなりません。

#### 製品

・ ご使用前に、製品・付属品の位置調整を行い、プッシュプレス、ネジ、バックル等が全て安全に固定されているか確認してください。工具はお子様の手が届かない場所に保管してください。

・ 移乗される前には、製品が安定した状態にあるか確認してください。

・ ジッパーが安全に閉じられていることを定期的に確認してください。

・ 調整後、全ての解除ボタンが正しい位置にセットされていることを確認してください

・ すべり止めゴムカバーが機能していることを確認してください

・ カバー、ベルト、付属品を確認し、ベルクロがしっかりと固定されていることを確認してください

・ 付属のベルトと付属品は、長期間のサポートとして使用することはできませんが、ユーザーの位置を特定する際には、手助けとしてのみ使用できます。

#### サービス情報

医療機器のメンテナンスは所有者の責任において行ってください。規定のメンテナンスが行われないと、保証が無効になる場合があります。また、適切なメンテナンスが行われない場合、ご利用者様・介助者の方の安全性が損なわれる可能性があります。

製品を塩素を含む水で使用されているときは、きれいなプラスチックや布とあわせてのご使用をお勧めします。

#### ご使用初日

・ ご使用前に本取扱説明書を良くお読みいただき、大切に保管してください。誤ったご使用方法はお怪我の原因になります。

#### 毎回使用後

・ 本製品を水ですすぎ、石けんや有機物の残りを取り除きます

#### 毎日

・ 布にお湯と中性洗剤を含ませ、すべり止めゴムカバーをきれいに洗い、その後乾かしてください

・ 目視で点検をしてください。損傷や摩耗した部品を修理または交換してください

・ すべての留め金とバックルに摩耗の症状があるか確認してください

・ すべての留め具が適切な場所に正しく設置されているか確認してください

・ 調整する前に最大マークの表示に注意してください

#### 毎月

・ 本製品の全てのナット・ボルトがしっかりと固定されているか確認してください。

・ 開閉部分に潤滑油をふってください。専用の潤滑油をお勧めします。

#### 6ヶ月ごと

・ フレームのひびや磨耗部品を点検してください。標準以下や不具合のある製品は絶対に使用しないでください。

#### 殺菌

プロダクトは 70% の消毒液を使用して殺菌できます。殺菌する前に塩素を含まない中性洗剤/石鹼と温水の溶液を含ませた布で残留物やプロダクト材料の汚れを拭き取り、乾燥させることをお勧めします。

#### 洗浄前に

以下の部品を取り外し、個別に洗浄してください: カバー、クッションング & アクセサリー

## 洗濯

洗濯機で、中性洗剤を使用し、最高50°までの温度において、カバーを洗浄することができます。

## 器具洗浄機

本製品は、医療機器用に設計された洗浄機で、クロリンを含まない消毒液または中性洗剤を使って、60度で10分間洗浄することができます。製品は乾いてから再び利用してください。

本製品は、医療機器用に設計された洗浄機で、クロリンを含まない消毒液または中性洗剤を使って、85度で3分間洗浄することができます。製品は乾いてから再び利用してください。

## 洗浄前

以下の部品を取り外し、個別に洗浄してください：カバー、クッション & アクセサリー

## メンテナンス時期

製品の点検は12ヶ月毎（ご使用頻度の高いご利用者様の場合は6ヶ月毎）に行ってください。点検は製品使用の訓練を受けた技術担当者が行ってください。タイヤのパンクなどの修理に関しましては、お近くのディーラーにお問い合わせください。

規定に基づいた保守メンテナンスが行われた場合の標準的耐用年数は5年です。

## サービスチェックリスト：

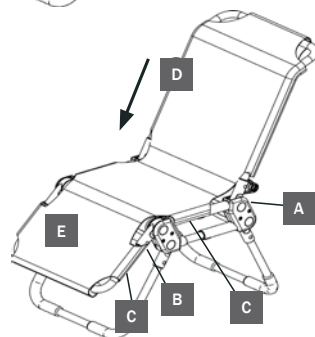
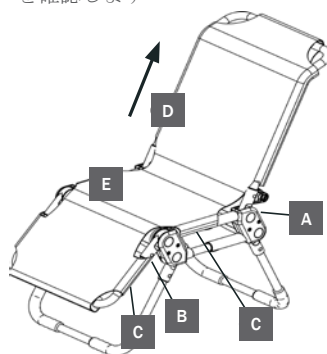
用途に従って、以下の機能について点検と調節を行います。損傷または損耗のある部品は、修理または交換します。以下を点検します：

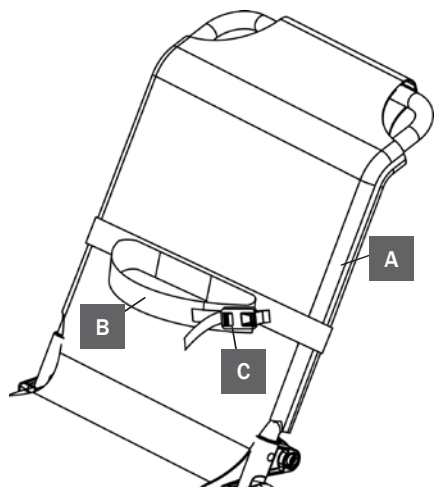
- ・ 背もたれとレッグサポートは調節可能で位置を固定できます
- ・ ジッパー & ベルクロ
- ・ 椅子は折りたたみ可能です
- ・ 製品のナットとボルトが締められている
- ・ 製品にヒビや部品の損耗がない
- ・ 製品の全ラベルが問題なく表示されている

## カバーの取り外しと取り付け

カバーを取り外して洗濯する必要がある場合は、以下の説明に従ってください。

1. カバー (A) とシート (B) のカバーを解いて、
  2. 椅子 (C) の下にベルクロを開き、蓋を引き上げ (D)、椅子から外す
- 椅子にカバーを取り付け直すには、以下の説明に従ってください。
1. カバーを後ろに設置し、下に引っ張ってください (D)。カバー内のフォームクッションがフレームの周りに配置されていることを確認してください
  2. 椅子の裏側のカバーを閉じる (A)
  3. 椅子 (B) の下にジッパーで小さなカバー部分を取り付けます。ベルクロが下を指していることを確認してください
  4. 脚の支え (E) を上に傾け、シート (C) の下と脚のサポート (C) の下のベルクロを閉じることができます。カバー内のフォームクッションがフレームの周りに配置されていることを確認してください
  5. 脚の支え (E) を下にして、マジックテープが正しく固定されていることを確認します



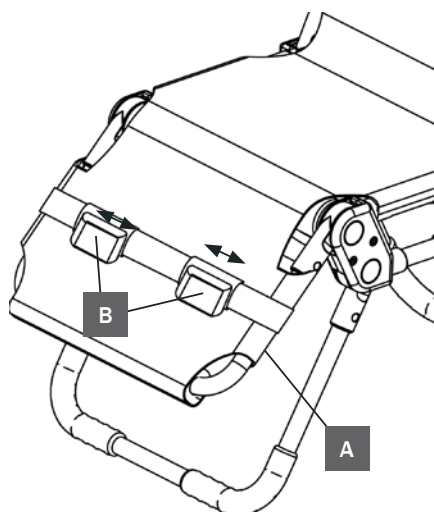


#### ストラップ付きボンメル

ボンメルとストラップを正しい方法で取り付けるには、以下の手順に従ってください。

1. シート (A) の下にベルクロでストラップを留めます。
2. 最適な位置を得るためにボンメル (B) を側方に調整する

ストラップ付きのボンメルは、長期的な支えとして使用することはできません。このサポートは、ユーザーが簡単に椅子に座れるようにのみ設計されています。



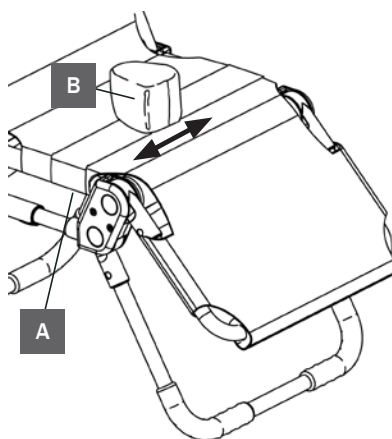
#### アクセサリ

##### 椅子サポート

ボディサポートを正しい方法でマウントするには、以下の説明に従ってください。

1. バック (A) の周りにベルクロでストラップを留めます
2. ユーザーを椅子に置く。ストラップ (B) を本体に取り付ける
3. ベルクロとバックル (C) で体のサポートを締めます。

体のサポートは、長期的な支えとして使用することはできません。このサポートは、ユーザーが簡単に椅子に座れるようにのみ設計されています。



#### 支えの制御のためのストラップ

ストラップを正しい方法で取り付けるには、以下の説明に従ってください。

脚の支え (A) の下にベルクロでストラップを留めます。

最適な位置になるようストラップ (B) を側方に調整します。ベルクロで締める

ストラップは支えとして使用することはできません。このサポートは、ユーザーが簡単に椅子に座れるようにのみ設計されています。

## ΕΛΛΗΝΙΚΗ

Συγχαρητήρια για την αγορά του νέου σας προϊόντος από την R82 - τον παγκόσμιο προμηθευτή τεχνικών βοηθημάτων και συσκευών για παιδιά και εφήβους με ειδικές ανάγκες. Για επωφεληθείτε πλήρως από τα χαρακτηριστικά αυτού του προϊόντος, πρέπει να διαβάσετε το παρόν εγχειρίδιο πριν από τη χρήση του προϊόντος και να φυλάξετε το εγχειρίδιο για μελλοντική χρήση.

### κατασκευαστής

Το Manatee είναι μια καρτέλα μπάνιου κατάλληλη για παιδιά με αναπηρία. Η καρτέλα είναι σχεδιασμένη ώστε ο χρήστης να τοποθετείται στη σωστή καθιστή θέση. Το βάθος κάθε καθίσματος μπορεί να προσαρμοστεί, πράγμα που επιτρέπει στην καρτέλα να μεγαλώνει μαζί με το παιδί. Το προϊόν προορίζεται για χρήση σε εσωτερικό χώρο, σε περιβάλλον μπάνιου.

Η ομάδα-στόχος της συσκευής είναι τα παιδιά με εγκεφαλική παράλυση (CP) με αναπηρία. Επίσης η συσκευή μπορεί να είναι κατάλληλη για παιδιά με μυϊκή δυστροφία, δισχιδή ράχη, τραυματισμούς σπονδυλικής στήλης και νευρολογική αναπηρία. Το προϊόν είναι κατάλληλο για παιδιά με GMFCS επίπεδο 3-5.



### Δήλωση Συμμόρφωσης

Αυτό το προϊόν συμμορφώνεται με τις απαιτήσεις του κανονισμού για τα ιατροτεχνολογικά προϊόντα (2017/745). Η σήμανση CE θα πρέπει να αφαιρείται αν το προϊόν είναι τροποποιημένο, όταν χρησιμοποιείται σε συνδυασμό με προϊόν άλλο κατασκευαστή ή όταν δεν χρησιμοποιούνται πρωτότυπα ανταλλακτικά και εξαρτήματα R82. Αυτό το προϊόν συμμορφώνεται επίσης με τις απαιτήσεις σχετικά με:

- EN 12182
- ISO 17966



### Απορριψη

Όταν ένα προϊόν φτάνει στο τέλος του κύκλου ζωής του, πρέπει να διαχωρίζεται ανά τύπο υλικού έτσι ώστε τα εξαρτήματα να μπορούν να ανακυκλωθούν ή να απορριφθούν με τον κατάλληλο τρόπο. Εάν χρειάζεται, σας παρακαλούμε να επικοινωνήσετε με τον τοπικό σας διανομέα για μία ακριβή περιγραφή του κάθε υλικού. Παρακαλούμε επικοινωνήστε με τις τοπικές σας αρχές για να ενημερωθείτε σχετικά με τις δυνατότητες ανακύκλωσης με φιλοπεριβαλλοντικό τρόπο.

### Παρελόμενα και ανταλλακτικά

Για τα προϊόντα της R82 προσφέρονται διάφορα παρελκόμενα, τα οποία ανταποκρίνονται στις ανάγκες του εκάστοτε χρήστη. Η παραγγελία των ανταλλακτικών γίνεται κατόπιν αιτήματος. Αναζητήστε τα ανταλλακτικά στην ιστοσελίδα μας ή επικοινωνήστε με τον τοπικό σας διανομέα για περαιτέρω πληροφορίες.

### Εγγύηση R82

Η R82 προσφέρει 2-ετή εγγύηση για κατασκευαστικά ελαττώματα και ελαττώματα στα υλικά και 5-ετή εγγύηση για σπάσιμο του μεταλλικού σκελετού λόγω ελαττωμάτων στις συγκολλήσεις. Η εγγύηση θα επηρεαστεί αρνητικά εάν ο πελάτης δεν τηρήσει την ευθύνη του ως προς τη διεξαγωγή συντήρησης από τεχνικό ή/και την καθημερινή συντήρηση σύμφωνα με τις κατευθυντήριες γραμμές και τα διαστήματα

συντήρησης που προβλέπει ο κατασκευαστής ή/και αναφέρονται στις οδηγίες χρήσης. Για περισσότερες πληροφορίες, σας παραπέμπουμε στην ιστοσελίδα της R82: [homepage/download](http://homepage/download).

Η εγγύηση παρέχεται μόνο για τη χώρα αγοράς του προϊόντος, και μπορεί να ταυτοποιηθεί μέσω του σειριακού αριθμού του Η εγγύηση δεν καλύπτει τυχαίες ζημιές, συμπεριλαμβανομένων των ζημιών από ακατάλληλη χρήση ή αμέλεια. Η εγγύηση δεν περιλαμβάνει αναλώσιμα στοιχεία, όπως π.χ. ρόδες ή επενδύσεις, καθώς αυτά υπόκεινται σε φυσιολογική φθορά και πρέπει να αντικαθίστανται περιοδικά.

Η εγγύηση ακυρώνεται, εάν χρησιμοποιηθούν εξαρτήματα/παρελκόμενα διαφορετικά από τα αυθεντικά ή εάν το προϊόν δεν έχει συντηρηθεί, επισκευαστεί ή τροποποιηθεί σύμφωνα με τις κατευθυντήριες γραμμές και τα διαστήματα που προβλέπει ο προμηθευτής ή/και αναφέρονται στις οδηγίες χρήσης.(User Guide). Η R82 διατηρεί το δικαίωμα ελέγχου του προϊόντος, για το οποίο εγείρεται η αξίωση εγγύησης, καθώς και των σχετικών εγγράφων προτού εγκρίνει την αξίωση, καθώς και το δικαίωμα να αποφασίσει εάν θα αντικαταστήσει ή θα επισκευάσει το ελαττωματικό προϊόν. Αποτελεί ευθύνη του πελάτη η επιστροφή του προϊόντος, για το οποίο εγείρεται η αξίωση στο πλαίσιο της εγγύησης, στη διεύθυνση αγοράς του. Η εγγύηση παρέχεται από την R82 ή, κατ' επέκταση, από ένα διανομέα της R82.

### Πληροφορίες πριν την πώληση

- [Support.r82.org](http://Support.r82.org)

### Ασφάλεια

Τα σήματα, τα σύμβολα και οι οδηγίες που φέρει το προϊόν δεν θα πρέπει ποτέ να καλύπτονται ή να αφαιρούνται. Πρέπει να μένουν στη θέση τους και να είναι ευανάγνωστα καθ' όλη τη διάρκεια ζωής του προϊόντος. Φροντίστε να αντικαθιστάτε άμεσα τα σήματα, τα σύμβολα ή τις οδηγίες που δεν είναι αναγνώσιμα/-ες ή έχουν υποστεί ζημιά. Επικοινωνήστε με τον τοπικό σας διανομέα για οδηγίες.

Σε περίπτωση ανεπιθύμητου συμβάντος που σχετίζεται με το τεχνολογικό προϊόν, τα περισσότερά θα πρέπει να αναφέρονται εγκαίρως στον τοπικό σας αντιπρόσωπο και στην εθνική αρμόδια αρχή. Ο τοπικός αντιπρόσωπος θα προωθήσει τις πληροφορίες στον κατασκευαστή.

### Φροντιστής

- Διαβάστε προσεκτικά όλες τις οδηγίες πριν από τη χρήση του προϊόντος και φυλάξτε τις για μελλοντική χρήση. Η ακατάλληλη χρήση του προϊόντος μπορεί να προκαλέσει σοβαρό τραυματισμό στο χρήστη
- Το προϊόν αυτό περιέχει μικρά μέρη που θα μπορούσαν να προκαλέσουν κίνδυνο πνιγμού, εάν αφαιρεθούν από την προοριζόμενη θέση

τους

- Χρησιμοποιείτε πάντοτε τις κατάλληλες τεχνικές ανύψωσης και τα βοηθήματα που προβλέπονται γι' αυτόν το σκοπό
- Ποτέ μην αφήνετε το χρήστη χωρίς επίβλεψη μέσα σε αυτό το προϊόν. Φροντίστε να υπάρχει μόνη επίβλεψη από έναν ενήλικο
- Οι επισκευές/αντικαταστάσεις πρέπει να γίνονται χρησιμοποιώντας μόνο καινούργια, γνήσια ανταλλακτικά και συνδέσμους της R82 και να διεξάγονται σύμφωνα με τις κατευθυντήριες γραμμές και τα διαστήματα συντήρησης που προβλέπονται από τον προμηθευτή
- Εάν έχετε οποιαδήποτε αμφιβολία σχετικά με την περαιτέρω ασφαλή χρήση του προϊόντος της R82 ή εάν κάποιο εξάρτημα παρουσιάσει βλάβη, σταματήστε αμέσως τη χρήση του προϊόντος και επικοινωνήστε με τον τοπικό σας διανομέα το ταχύτερο δυνατό

### Περιβάλλον

- Παρατηρήστε την επιφανειακή θερμοκρασία του προϊόντος, πριν την είσοδο χρήστη μέσα σε αυτό. Αυτό ισχύει ιδιαίτερα για χρήστες με αναισθητοποιημένο δέρμα, καθώς δεν μπορούν να αισθανθούν τη θερμότητα. Εάν η θερμοκρασία της επιφάνειας υπερβεί τους 41 °C, αφήστε το προϊόν να ψυχθεί πριν τη χρήση

### Χρήστης

- Εάν ο χρήστης βρίσκεται κοντά στο μέγιστο φορτίο ή/και κάνει πολλές ακούσιες κινήσεις, π.χ. ταλαντεύσεις, θα πρέπει να αναλογιστείτε το ενδεχόμενο αγοράς του προϊόντος σε μεγαλύτερο μέγεθος και με υψηλότερο μέγιστο φορτίο ή ενός διαφορετικού προϊόντος της R82
- Το κεφάλι του χρήστη πρέπει να βρίσκεται πάντα μέσα στο επάνω μέρος του πλαισίου

### Προϊόν

- Διεξάγετε όλες τις προσαρμογές θέσης στο προϊόν και στα παρελκόμενα και βεβαιωθείτε ότι όλες οι λαβές, οι βίδες και οι πόρτες έχουν ασφαλίσει σωστά πριν από τη χρήση. Κρατήστε όλα τα εργαλεία μακριά από παιδιά
- Διασφαλίστε τη διατήρηση της σταθερότητας του προϊόντος προτού τοποθετήσετε το χρήστη μέσα σε αυτό
- Ελέγχετε σε τακτική βάση ότι τα φερμουάρ έχουν κλείσει σωστά
- Ελέγξτε ότι όλα τα κομμάτια απελευθέρωσης είναι ασφαλισμένα στη θέση τους μετά τη ρύθμιση.
- Βεβαιωθείτε ότι τα αντλιοθητικά ελαστικά καλύμματα είναι λειτουργικά
- Ελέγξτε το κάλυμμα, τους μίαντες και τα παρελκόμενα και διασφαλίστε ότι το velcro έχει συνδεθεί σταθερά
- Οι μίαντες και τα παρελκόμενα που παρέχονται δεν μπορούν να χρησιμοποιηθούν ως μακροπρόθεσμα στηρίγματα και παρέχονται μόνο ως πρόσθετο βοήθημα κατά την τοποθέτηση του χρήστη

### Πίνακας καθηκόντων συντήρησης

Η συντήρηση μίας ιατροτεχνολογικής συσκευής αποτελεί απόλυτη ευθύνη του κατόχου αυτής της συσκευής. Η παράλειψη της συντήρησης σύμφωνα με τις οδηγίες μπορεί να οδηγήσει σε ακύρωση της εγγύησης. Επίσης, η παράλειψη της συντήρησης μπορεί να αποβεί σε βάρος της κλινικής κατάστασης ή της ασφάλειας του χρήστη ή/και του φροντιστή. Εάν το προϊόν εκτεθεί σε νερό βρύσης που περιέχει χλώριο, μπορεί να προκληθεί αποχρωματισμός των πλαστικών μερών και του υφάσματος.

#### 1η Ημέρα

- Διαβάστε προσεκτικά τις οδηγίες χρήσης πριν από τη χρήση του προϊόντος και φυλάξτε τις σε ασφαλές μέρος για μελλοντική χρήση

#### Μετά από κάθε χρήση

- Ξεπλύνετε το προϊόν με νερό για να αφαιρέσετε τα υπολείμματα σαπουνιού και οργανικού υλικού.

#### Ημερήσια

- Καθαρίστε τα αντλιοθητικά ελαστικά καλύμματα χρησιμοποιώντας ένα πανί με ζεστό νερό και ήπιο απορρυπαντικό και στεγνώστε τα
- Οπτικός έλεγχος Επισκευάστε ή αντικαταστήστε εξαρτήματα που έχουν υποστεί ζημιές ή φθορές
- Ελέγξτε όλους τους συνδέσμους και τις πόρτες για ενδείξεις φθοράς
- Βεβαιωθείτε ότι όλα τα στοιχεία σύνδεσης βρίσκονται στη θέση τους και έχουν εφαρμόσει σωστά
- Λάβετε υπόψη σας τυχόν ενδείξεις οριακής θέσης προτού προβείτε σε κάποια προσαρμογή

#### Μηνιαία

- Ελέγξτε και σφίξτε όλα τα παξιμάδια και τις βίδες σε αυτό το προϊόν προκειμένου να αποφύγετε περριπές στοχοιές
- Λιπάνετε τα πτυσσόμενα εξαρτήματα. Σας συνιστούμε να χρησιμοποιήσετε ένα επαγγελματικό σύστημα λιπανσης, π.χ.

#### Κάθε 6 μήνες

- Εξετάστε το πλαίσιο για ραγίσματα ή ενδείξεις φθαρμένων εξαρτημάτων και διεξάγετε την ετήσια συντήρηση. Ποτέ μην χρησιμοποιείτε ένα προϊόν που δείχνει υποβαθμισμένο ή ελαττωματικό

#### Απολύμανση

Το προϊόν, μπορεί να απολυμανθεί με απολυμαντικό διάλυμα IPA 70%. Συστήνεται να σκουπίστε τυχόν υπολείμματα και ρύπους από το προϊόν, χρησιμοποιώντας ύφασμα ποτισμένο σε χλιαρό νερό και ήπιο

Πριν το Απολύμανση

Αφαιρέστε τα ακόλουθα στοιχεία και καθαρίστε τα ξεχωριστά: κάλυμμα, γλικό πλήρωσης & Παρελκόμενα

#### Πλύσιμο

το κάλυμμα μπορεί να πλυθεί σε μέγιστη θερμοκρασία 50° με ήπιο απορρυπαντικό σε πλυντήριο.



### Πλυντήριο εξοπλισμού

Αυτό το προϊόν μπορεί να πλυθεί για 10 λεπτά στους 60° με χρήση ήπιου απορρυπαντικού ή απολυμαντικού χωρίς χλώριο, σε πλυντήριο σχεδιασμένο για ιατροτεχνολογικά προϊόντα. Αφήστε το προϊόν να στεγνώσει πριν να το ξαναχρησιμοποιήσετε.

Αυτό το προϊόν μπορεί να πλυθεί για 3 λεπτά στους 85° με χρήση ήπιου απορρυπαντικού ή απολυμαντικού χωρίς χλώριο, σε πλυντήριο σχεδιασμένο για ιατροτεχνολογικά προϊόντα. Αφήστε το προϊόν να στεγνώσει πριν να το ξαναχρησιμοποιήσετε.

### Πριν το πλύσιμο

Αφαιρέστε τα ακόλουθα στοιχεία και καθαρίστε τα ξεχωριστά: κάλυμμα, Υλικό πλήρωσης & Παρελκόμενα

### Διάστημα συντήρησης

Ένας λεπτομερής έλεγχος του προϊόντος πρέπει να διεξάγεται κάθε 12 μήνες (κάθε 6 μήνες για χρήστες μεγάλου βάρους) και κάθε φορά που το προϊόν διατίθεται ξανά για χρήση. Ο έλεγχος πρέπει να διεξάγεται από ένα πρόσωπο με τεχνικές γνώσεις, το οποίο έχει εκπαιδευτεί στη χρήση του προϊόντος. Επικοινωνήστε με τον τοπικό διανομέα για οδηγίες που αφορούν επισκευές π.χ. για την αντιμετώπιση διάτρησης των ελαστικών των τροχών.

Ο χρόνος του προϊόντος υπό κανονική χρήση είναι 5 χρόνια, εφόσον όλες οι συντηρήσεις από το χρήστη και από τεχνικό διεξάγονται σύμφωνα με τις οδηγίες του κατασκευαστή και καταγράφονται αποδεδειγμένα.

### Λίστα ελέγχου τεχνικής συντήρησης

Ελέγξτε και προσαρμόστε τις παρακάτω λειτουργίες σύμφωνα με την προτιθέμενη χρήση. Επισκευάστε ή αντικαταστήστε τα ζημιωμένα ή φθαρμένα μέρη. Ελέγξτε τα εξής στοιχεία:

- Το στήριγμα πλάτης και το στήριγμα ποδιών είναι ρυθμιζόμενα και μπορούν να ασφαλιστούν στη θέση τους.
- φερμουάρ & Velcro
- Το κάθισμα μπορεί να διπλωθεί και να ξεδιπλωθεί.
- Τα παξιμάδια και οι βίδες του προϊόντος είναι σφιγμένα
- Το προϊόν για ρωγμές ή ενδείξεις φθαρμένων μερών
- Όλες οι ετικέτες του προϊόντος είναι ακέραιες

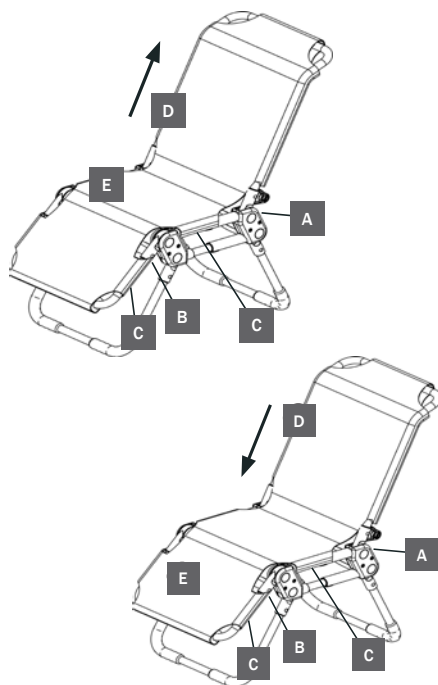
### Αφαίρεση και τοποθέτηση του καλύμματος

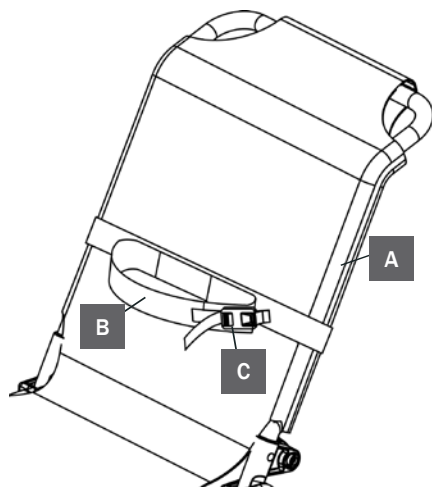
Ακολουθήστε την παρακάτω περιγραφή, όταν το κάλυμμα πρέπει να αφαιρεθεί και να πλυθεί:

1. Ανοίξτε το φερμουάρ του καλύμματος στο πίσω μέρος (A) και κάτω από το κάθισμα (B)
2. Ανοίξτε το Velcro κάτω από την καρέκλα (C) και τραβήξτε το κάλυμμα προς τα επάνω (D) για να το αφαιρέσετε από την καρέκλα

Ακολουθήστε την παρακάτω περιγραφή για να τοποθετήσετε ξανά το κάλυμμα στην καρέκλα:

1. Τοποθετήστε το κάλυμμα επάνω από την πλάτη και τραβήξτε προς τα κάτω (D). Βεβαιωθείτε ότι τα μαξιλάκια αφρού στο κάλυμμα τοποθετούνται γύρω από το πλαίσιο
2. Κλείστε το φερμουάρ στο κάλυμμα στην πλάτη της καρέκλας (A)
3. Τοποθετήστε το μικρό τμήμα καλύμματος με το φερμουάρ κάτω από την καρέκλα (B). Βεβαιωθείτε ότι το Velcro είναι στραμμένο προς τα κάτω
4. Ανασηκώστε το στήριγμα ποδιού (E) και περάστε το Velcro κάτω από το κάθισμα (C) και το στήριγμα κάτω από πόδι (C) μπορεί να κλείσει. Βεβαιωθείτε ότι τα μαξιλάκια αφρού στο κάλυμμα τοποθετούνται γύρω από το πλαίσιο
5. Επαναφέρετε το στήριγμα ποδιού στη θέση του (E) και βεβαιωθείτε ότι το Velcro έχει συνδεθεί σωστά



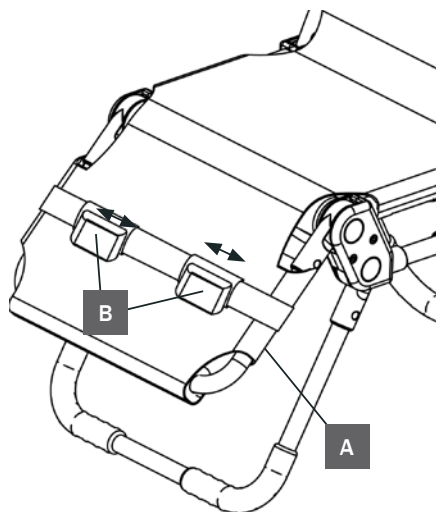


### Ίππος με ιμάντα

Ακολουθήστε τις παρακάτω οδηγίες για να τοποθετήσετε τη λαβή και τον ιμάντα σωστά:

1. Συνδέστε τον ιμάντα με Velcro κάτω από το κάθισμα (A)
2. Προσαρμόστε το πλευρικό προστατευτικό του ίππου (B) στη βέλτιστη θέση

Ο ίππος με ιμάντα δεν πρέπει να χρησιμοποιείται ως μακροπρόθεσμη υποστήριξη. Αυτό το στήριγμα έχει σχεδιαστεί να διευκολύνει την τοποθέτηση του χρήστη στην καρέκλα.



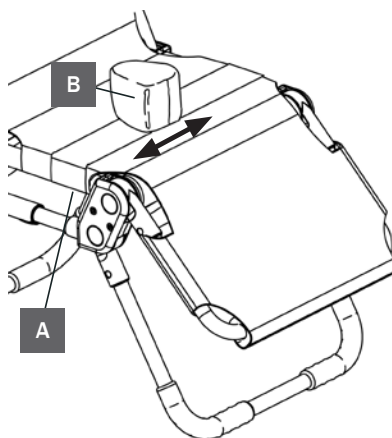
### Παρελκόμενα

#### Στήριγμα σώματος

Ακολουθήστε την παρακάτω περιγραφή για να τοποθετήσετε το στήριγμα σώματος με το σωστό τρόπο:

1. Συνδέστε τον ιμάντα με Velcro γύρω από την πλάτη (A)
2. Τοποθετήστε το χρήστη στην καρέκλα. Τοποθετήστε τον ιμάντα (B) γύρω από το σώμα
3. Σφίξτε το στήριγμα σώματος με Velcro και με την αγκράφα (C)

Το στήριγμα σώματος δεν πρέπει να χρησιμοποιείται ως μακροπρόθεσμη υποστήριξη. Αυτό το στήριγμα έχει σχεδιαστεί να διευκολύνει την τοποθέτηση του χρήστη στην καρέκλα.



#### Ιμάντες ελέγχου ποδιών

Ακολουθήστε την παρακάτω περιγραφή για να τοποθετήσετε τους ιμάντες με το σωστό τρόπο:

1. Συνδέστε τον ιμάντα με Velcro κάτω από το στήριγμα ποδιού (A)
2. Προσαρμόστε το πλευρικό προστατευτικό των ιμάντων (B) στη βέλτιστη θέση. Συνδέστε με velcro

Οι ιμάντες δεν πρέπει να χρησιμοποιούνται ως μακροπρόθεσμη υποστήριξη. Αυτό το στήριγμα έχει σχεδιαστεί να διευκολύνει την τοποθέτηση του χρήστη στην καρέκλα.





## R82 A/S

Parallevej 3  
8751 Gedved  
Denmark  
Tel +45 79 68 58 88  
Fax +45 75 66 51 92  
R82@R82.com  
R82.org  
[facebook.com/R82global/](https://facebook.com/R82global/)



SUPPLIER INFORMATION:  
<http://www.r82.org/about-r82/info/r82-company-information/>

M1320  
Reserving our rights for printer's error or discontinued products  
Please find an updated edition on our website R82.org  
The design and patents are all registered design and patents of R82.

© 2010 R82 A/S All rights reserved The R82 logo and the icons are registered trademarks of R82 A/S